



US00D455419S

(12) **United States Design Patent**
Inoue

(10) **Patent No.:** **US D455,419 S**

(45) **Date of Patent:** **** Apr. 9, 2002**

(54) **INDOOR ANTENNA DEVICE**

(75) Inventor: **Shigemi Inoue**, Hyogo-ken (JP)

(73) Assignee: **DX Antenna Company, Limited**, Kobe (JP)

(**) Term: **14 Years**

(21) Appl. No.: **29/126,322**

(22) Filed: **Jul. 13, 2000**

(51) **LOC (7) Cl.** **14-03**

(52) **U.S. Cl.** **D14/235; D14/230**

(58) **Field of Search** **D14/230-238;**
343/720, 900, 713, 878, 905, 906, 715,
749, 752, 895, 714, 806, 802, 823, 805,
872, 705, 708, 741, 840, 882, 702, 873,
881

(56) **References Cited**

U.S. PATENT DOCUMENTS

D182,360 S	*	3/1958	Pinkel	D14/235
D308,204 S	*	5/1990	Takizawa	D14/235
D371,560 S	*	7/1996	Fenton et al.	D14/230
D414,777 S		10/1999	Tsai		
D421,017 S		2/2000	Phipps		
D421,610 S		3/2000	Ghalebi		

FOREIGN PATENT DOCUMENTS

JP 791537 7/1990

* cited by examiner

Primary Examiner—Louis S. Zarfes

Assistant Examiner—Gregory Andoll

(74) *Attorney, Agent, or Firm*—Duane, Morris & Heckscher LLP

(57) **CLAIM**

The ornamental design for an indoor antenna device, as shown and described.

DESCRIPTION

FIG. 1 is a front, right side perspective view of an indoor antenna device according to my new design;

FIG. 2 is a front elevational view of the antenna device shown in FIG. 1;

FIG. 3 is a rear elevational view of the antenna device shown in FIG. 1;

FIG. 4 is a top plan view of the antenna device shown in FIG. 1;

FIG. 5 is a bottom plan view of the antenna device shown in FIG. 1;

FIG. 6 is a left side elevational view of the antenna device shown in FIG. 1;

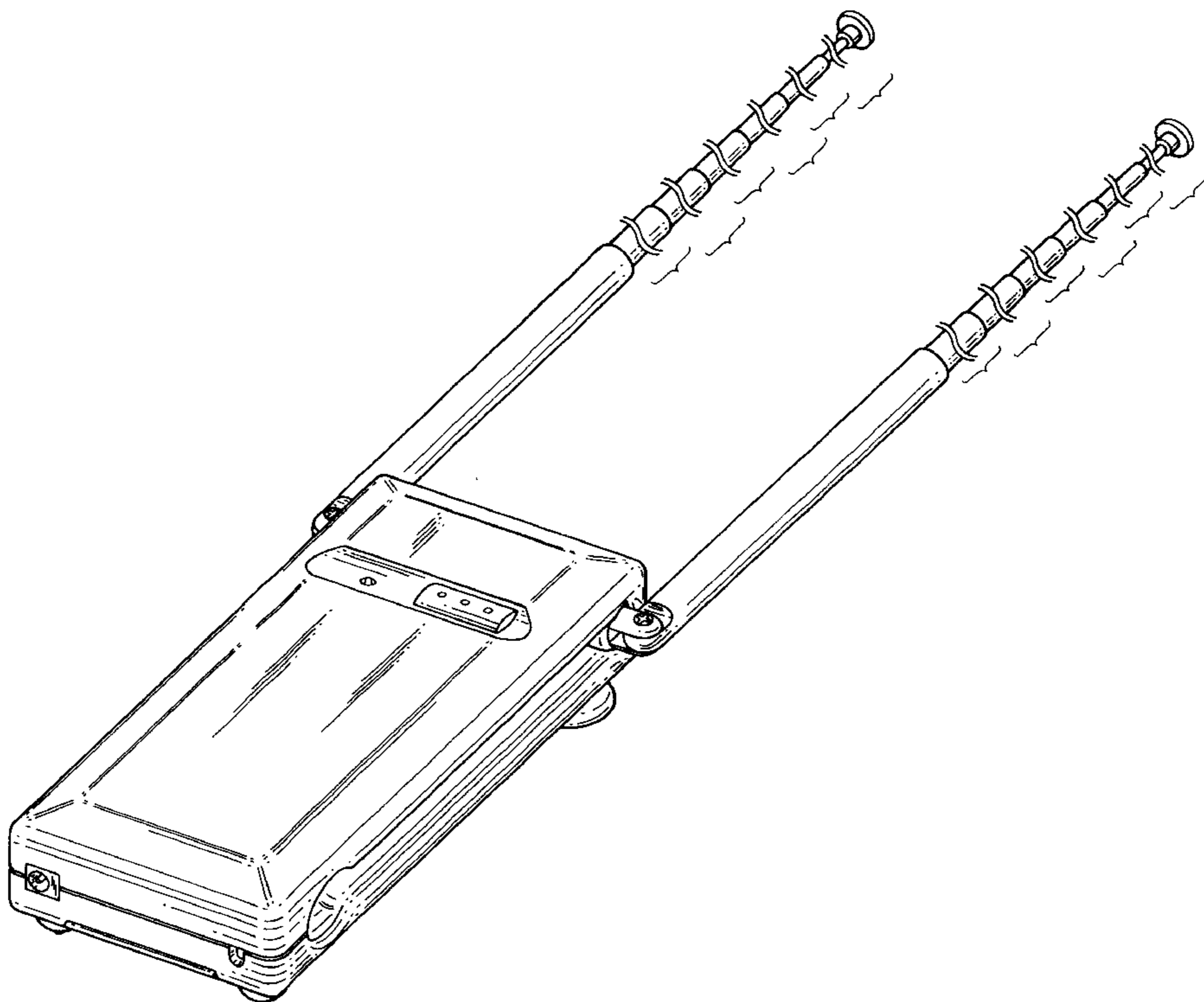
FIG. 7 is a right side elevational view of the antenna device shown in FIG. 1;

FIG. 8 is a front elevational view of the indoor antenna device shown in FIG. 1 with rod antennas fully retracted and received in grooves formed in a casing of the antenna device;

FIG. 9 is a left side elevational view of the antenna device shown in FIG. 8; and,

FIG. 10 is a left side elevational view of the antenna device shown in FIG. 1 with a leg thereof pulled out.

1 Claim, 9 Drawing Sheets



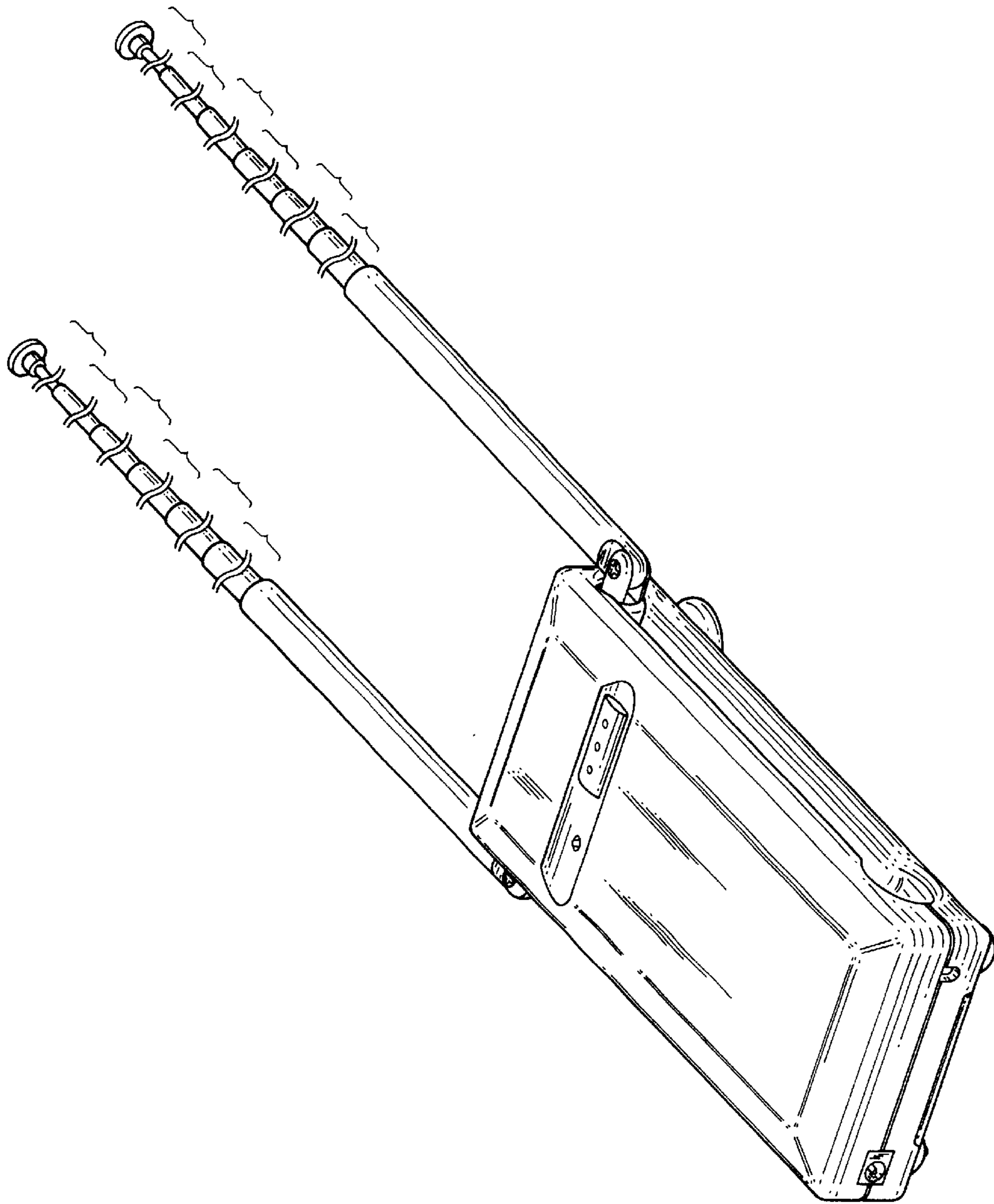
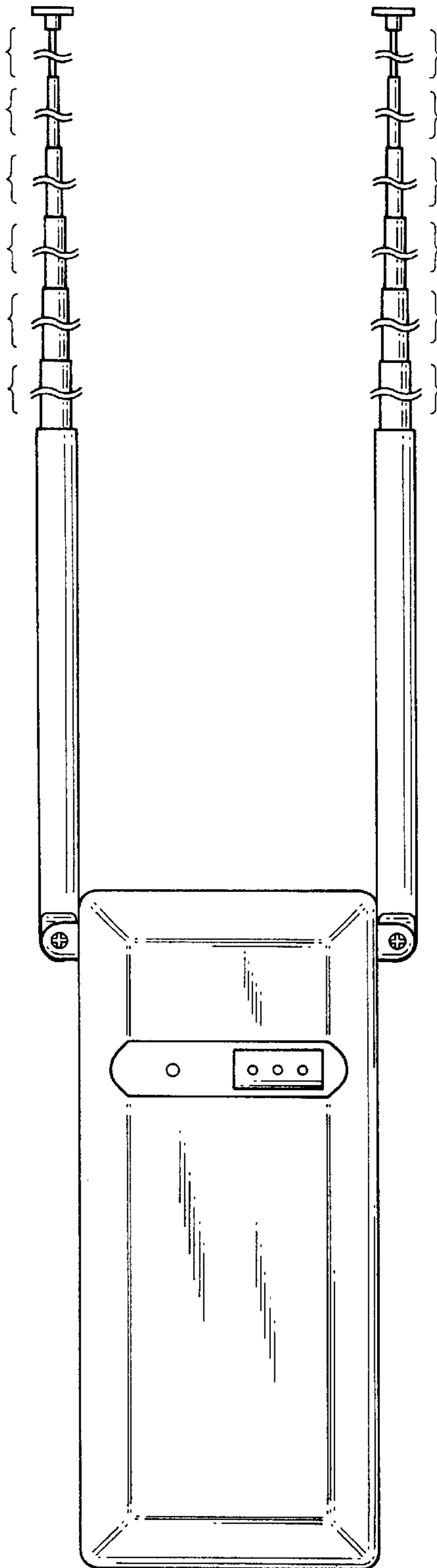
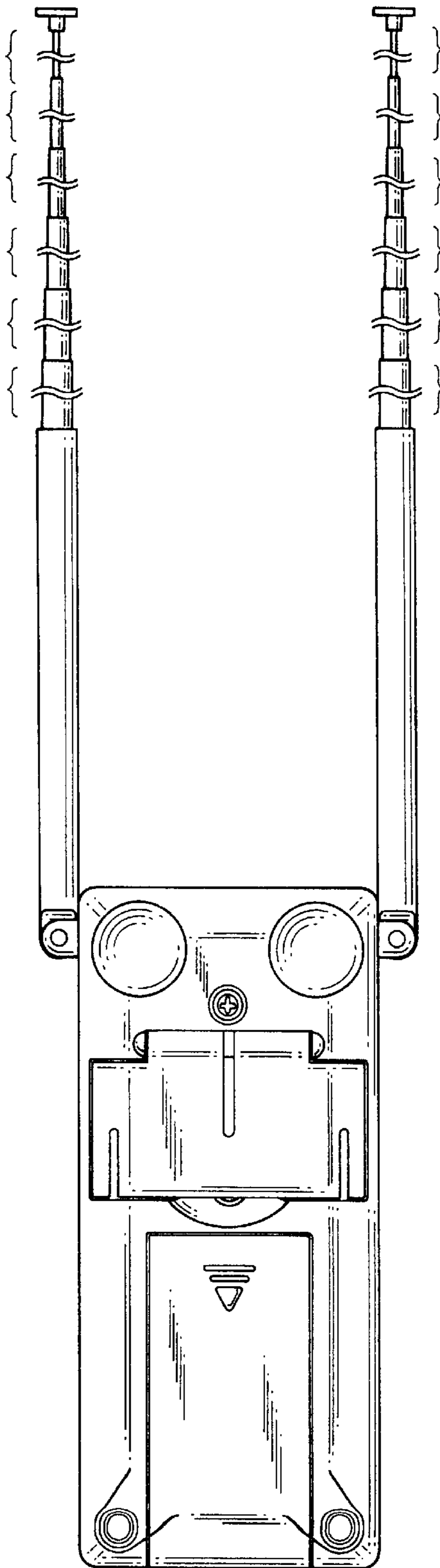


FIG. 1



F I G . 2



F I G . 3

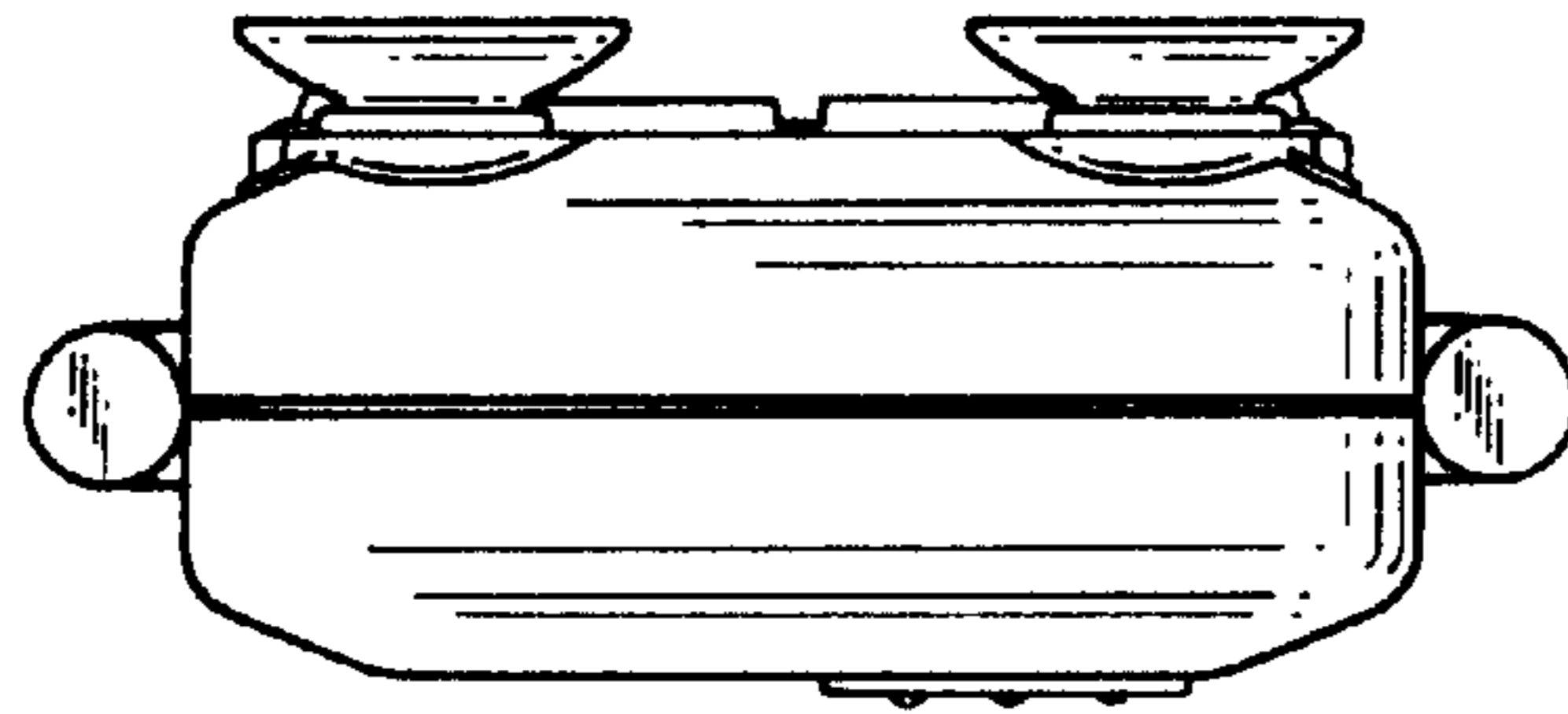


FIG. 4

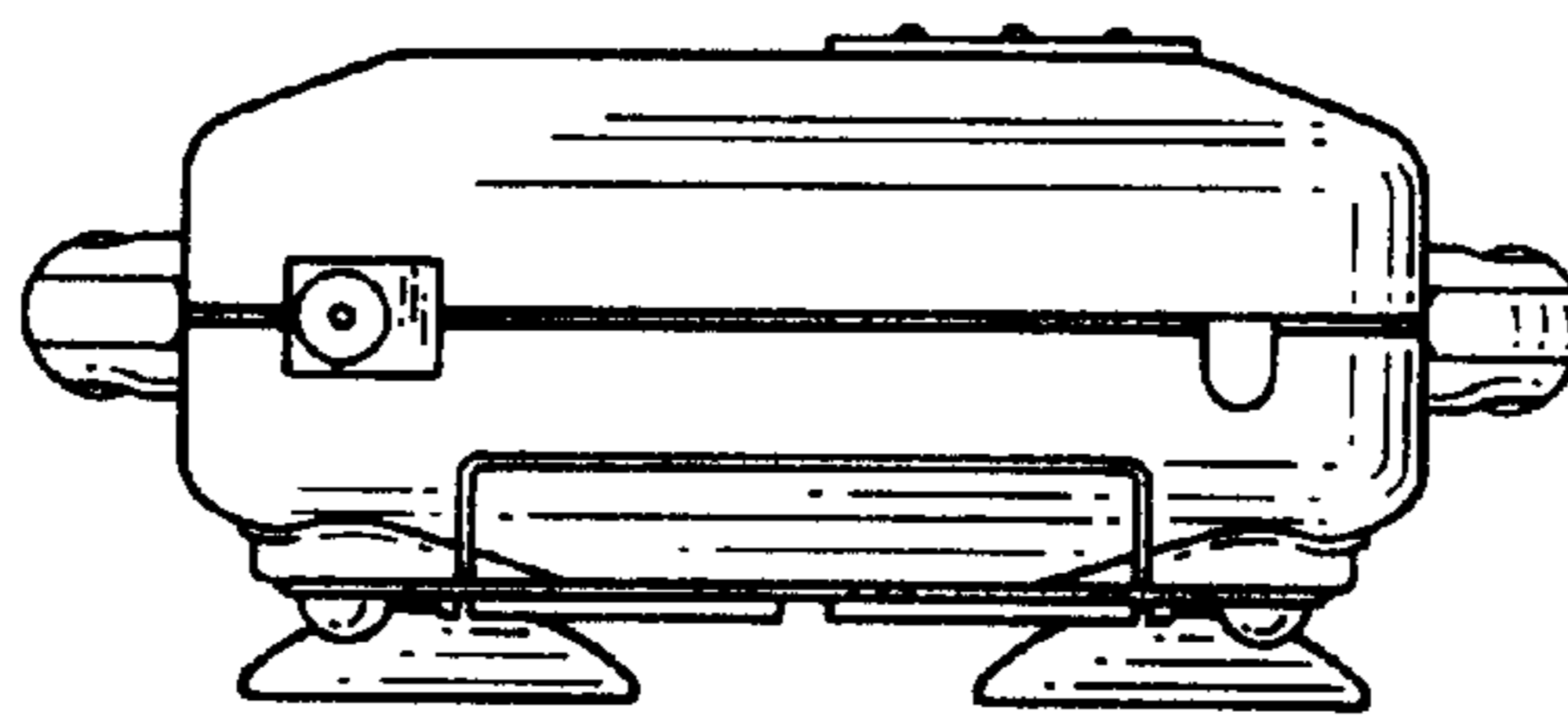
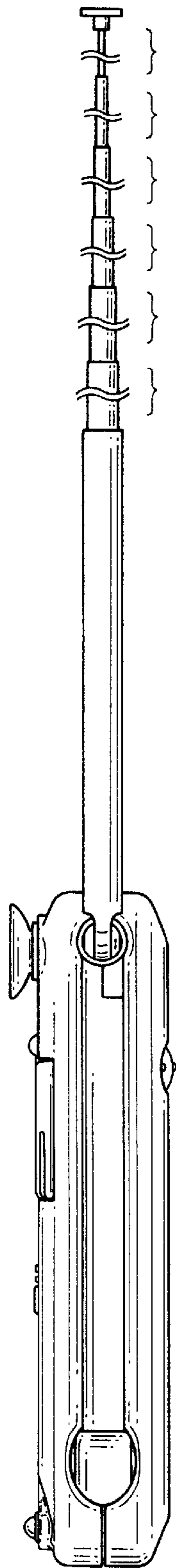
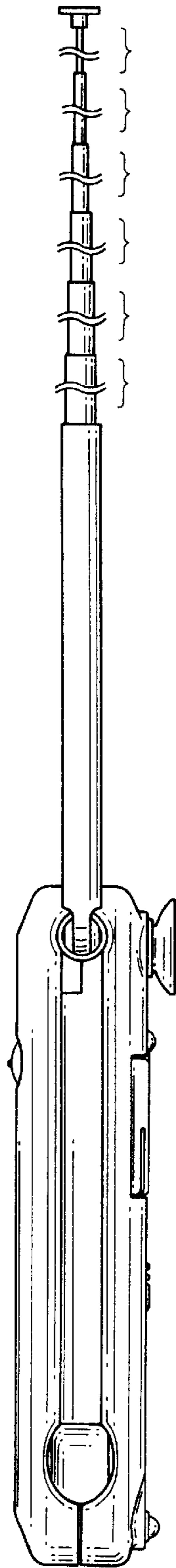


FIG. 5



F I G . 6



F I G . 7

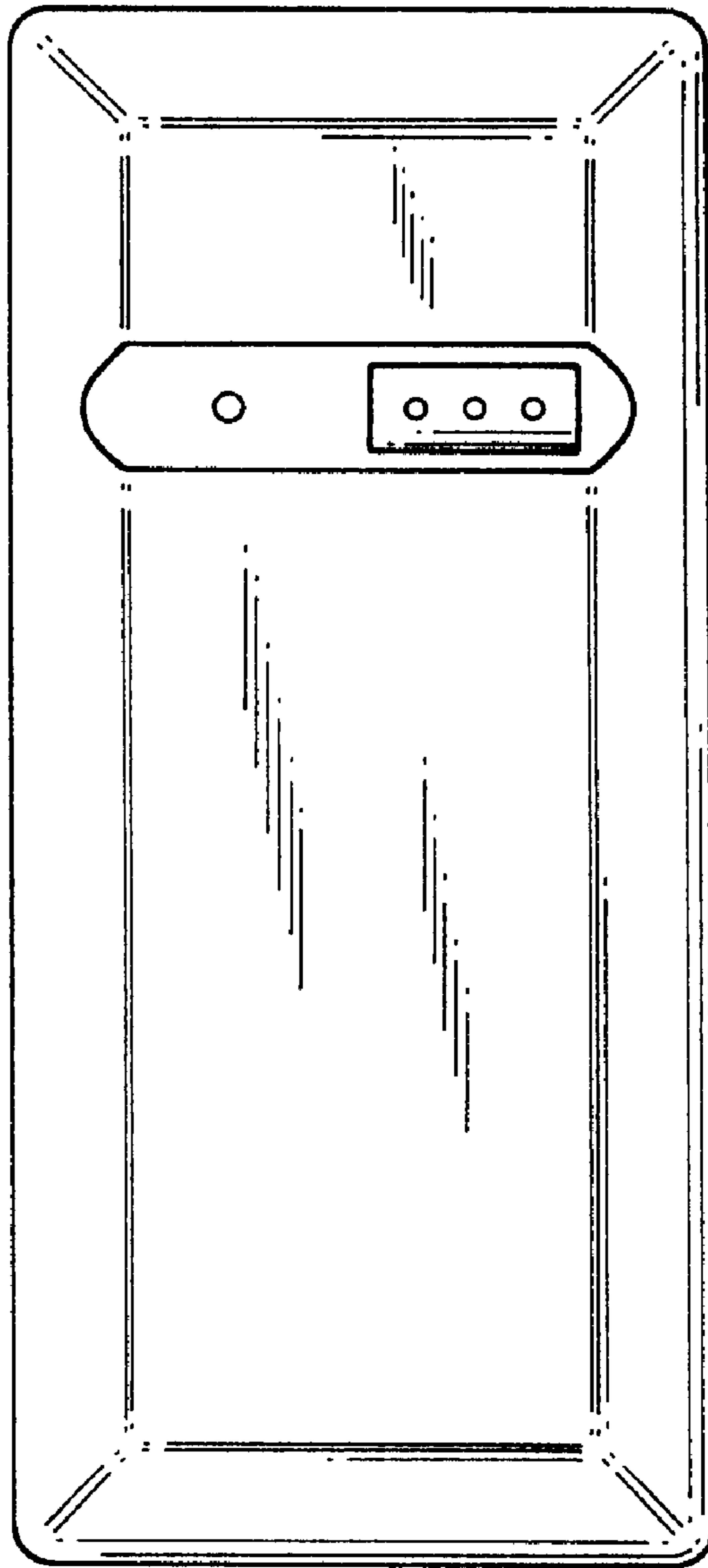


FIG. 8

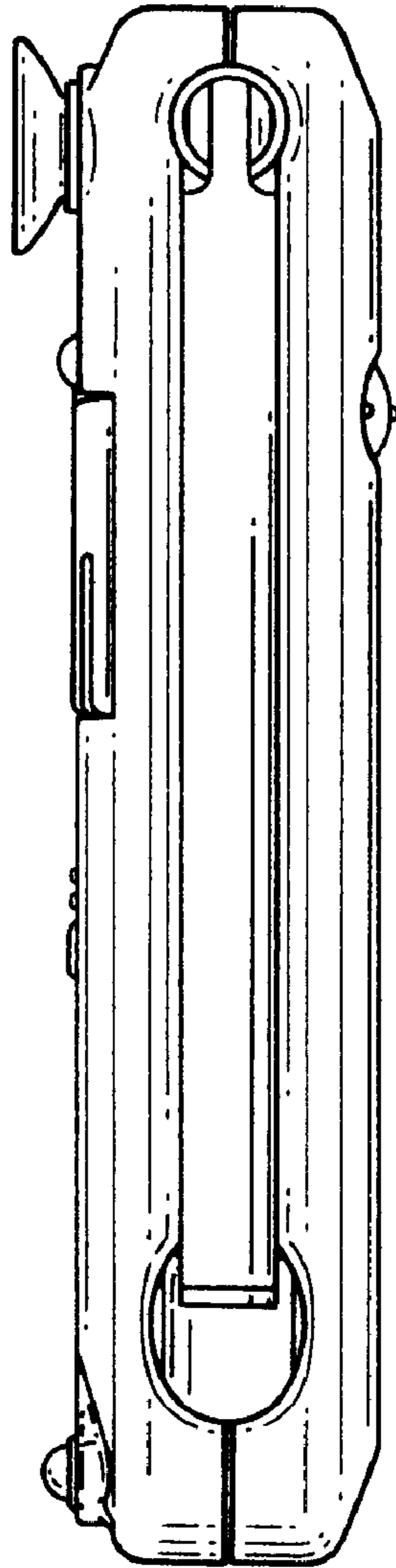
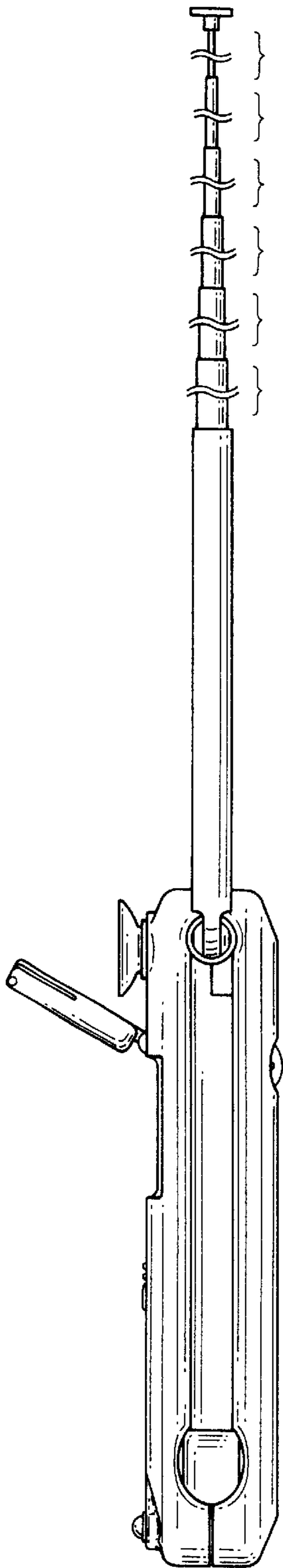


FIG. 9



F I G . 10