



US00D455416S

(12) **United States Design Patent**
McDermott

(10) **Patent No.:** **US D455,416 S**

(45) **Date of Patent:** **** Apr. 9, 2002**

(54) **TRAVEL CLOCK AND SOUND GENERATOR**

(75) **Inventor:** **Derek McDermott, Kwai Chung (HK)**

(73) **Assignee:** **Sharper Image Corporation, San Francisco, CA (US)**

(**) **Term:** **14 Years**

(21) **Appl. No.:** **29/143,441**

(22) **Filed:** **Jun. 13, 2001**

(51) **LOC (7) Cl.** **14-01**

(52) **U.S. Cl.** **D14/168**

(58) **Field of Search** D14/162, 168,
D14/170, 171, 181, 188, 189, 192-198,
217, 299; D10/1, 2, 15; 455/90, 100, 128,
344, 347-351

(56) **References Cited**

U.S. PATENT DOCUMENTS

3,871,112	A	*	3/1975	Licitis	434/318
4,070,697	A	*	1/1978	Miller et al.	360/121
D342,739	S	*	12/1993	Atkin et al.	D14/217
D343,617	S	*	1/1994	Kawase et al.	D14/170
D353,141	S	*	12/1994	Peersmann	D14/170
D367,533	S		2/1996	Pinchuk		
D372,249	S		7/1996	Pinchuk		
D374,009	S	*	9/1996	George	D14/171
D379,007	S	*	4/1997	Obata	D14/168
5,619,179	A		4/1997	Smith		
D402,289	S		12/1998	Pinchuk et al.		

D412,906	S		8/1999	Pinchuk		
D415,759	S		10/1999	Pinchuk		
D415,760	S	*	10/1999	Isonaga	D14/171
D415,761	S		10/1999	Pinchuk		
D420,352	S	*	2/2000	Chan	D14/171

OTHER PUBLICATIONS

The Sharper Image Mar. 2000 Catalog, pp. 25, unknown, and 64.

The Sharper Image packaging for "Travel Soother". Date unknown.

* cited by examiner

Primary Examiner—Prabhakar Deshmukh

(74) *Attorney, Agent, or Firm*—Fliesler Dubb Meyer & Lovejoy LLP

(57) **CLAIM**

The ornamental design for a travel clock and sound generator, as shown.

DESCRIPTION

FIG. 1 is a front view of a travel clock and sound generator showing my new design;

FIG. 2 is a top view thereof;

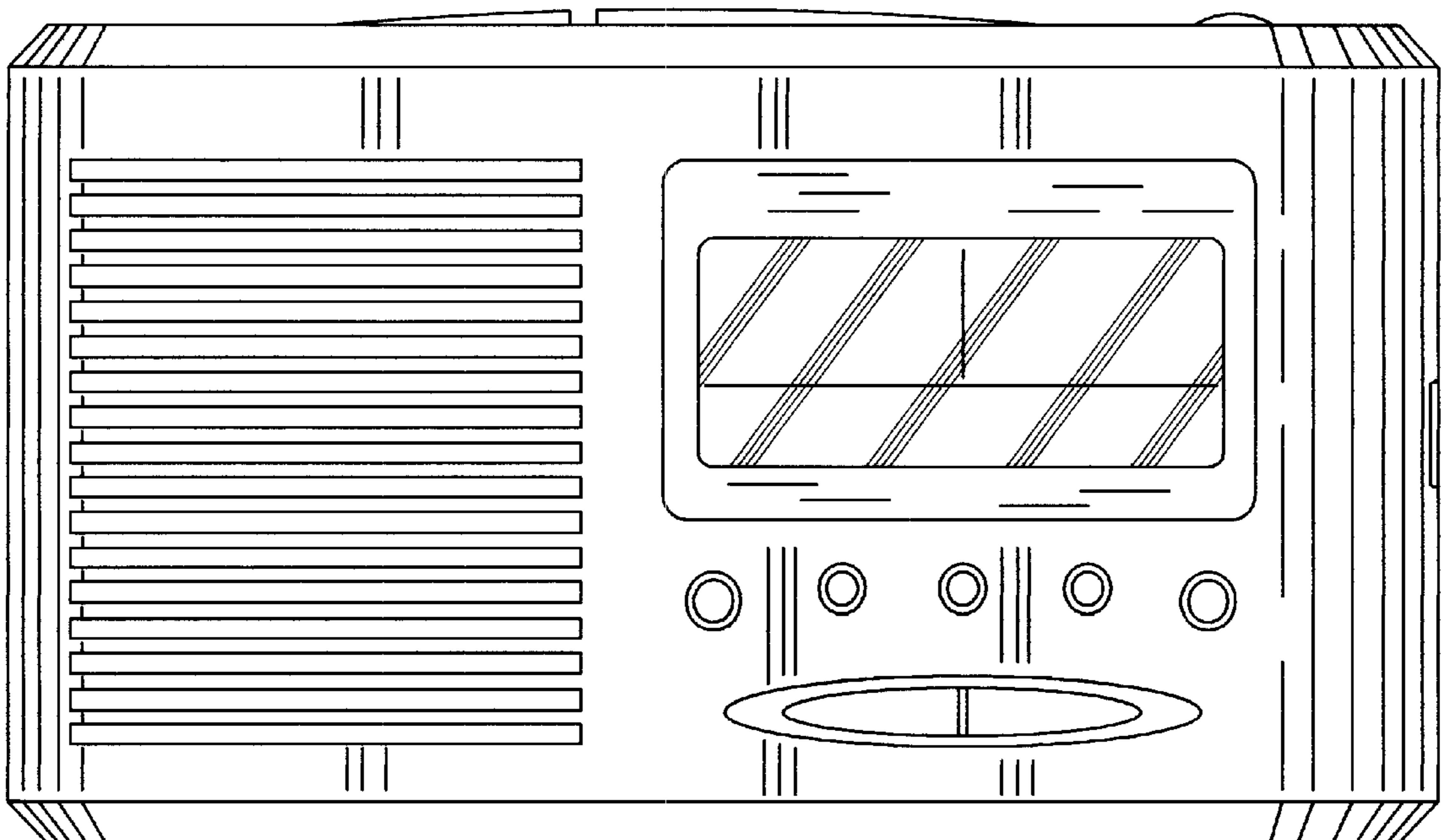
FIG. 3 is a rear view thereof;

FIG. 4 is a bottom view thereof;

FIG. 5 is a side view thereof; and,

FIG. 6 is a side view of the opposite side thereof.

1 Claim, 3 Drawing Sheets



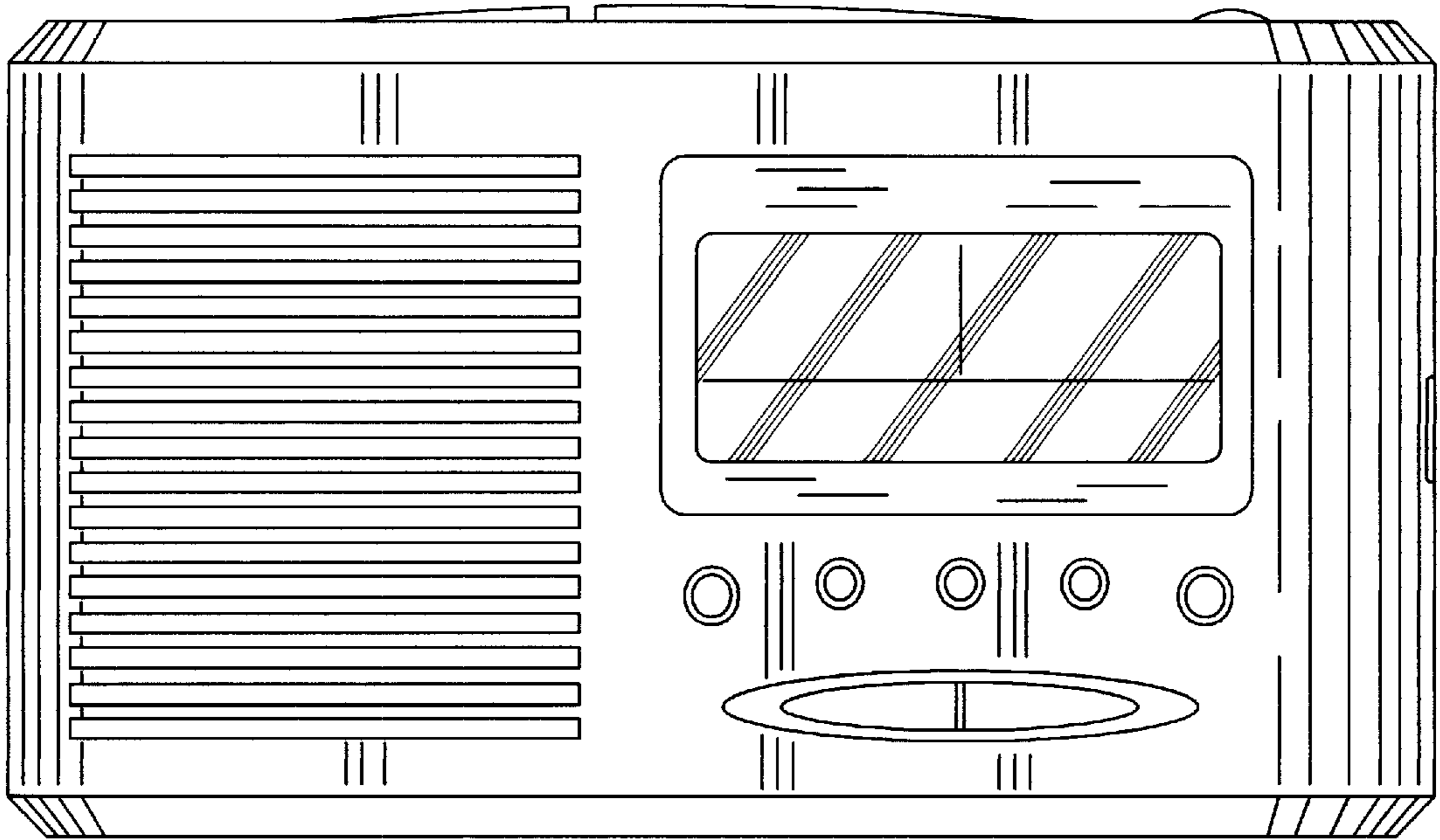


FIG. - 1

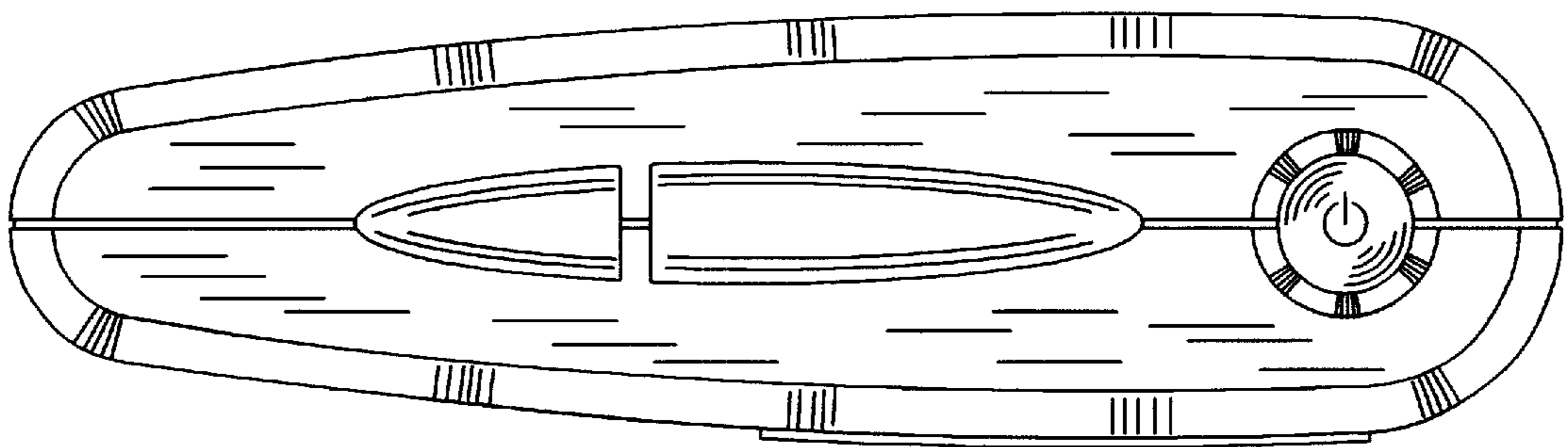


FIG. - 2

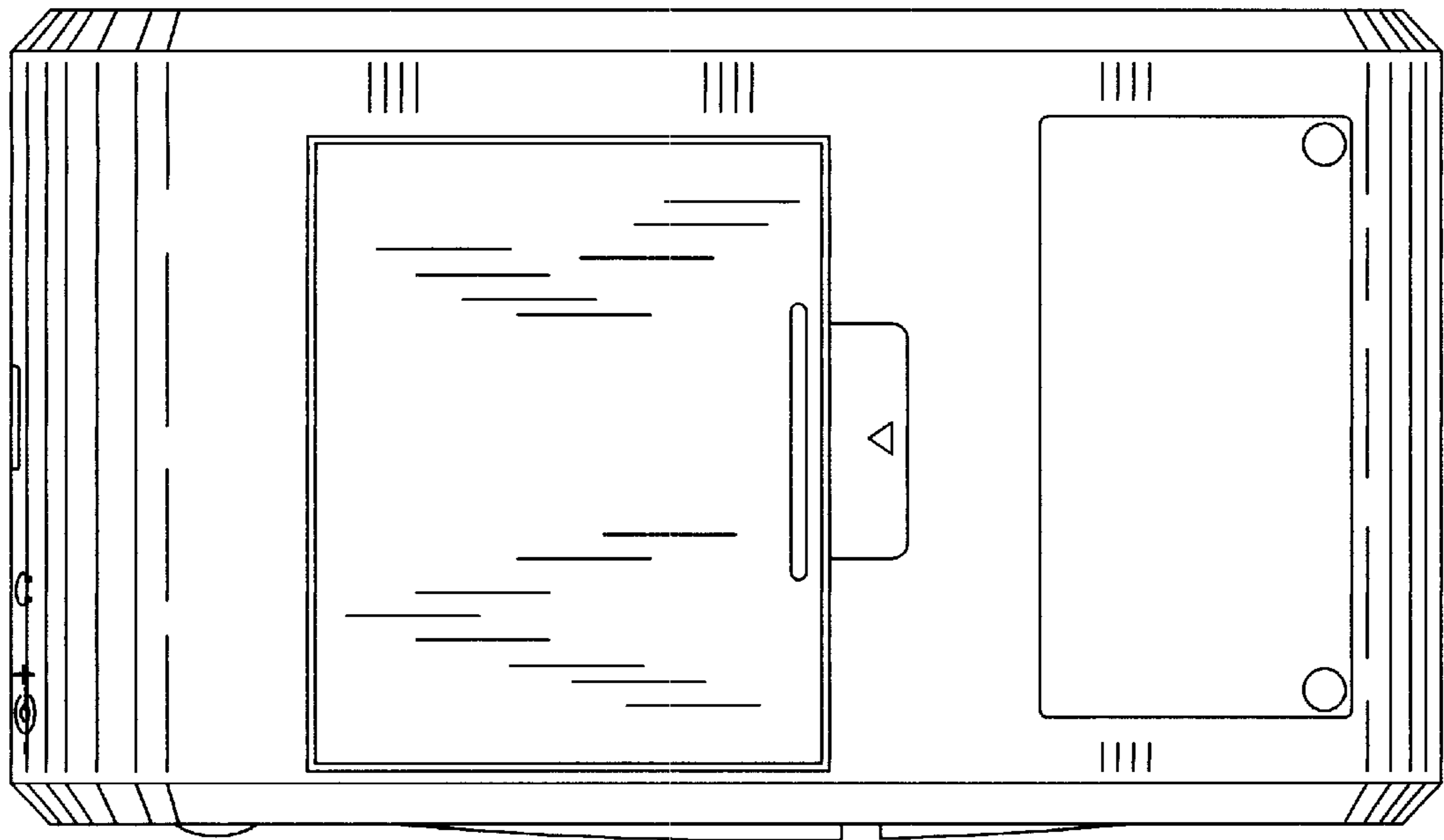


FIG. - 3

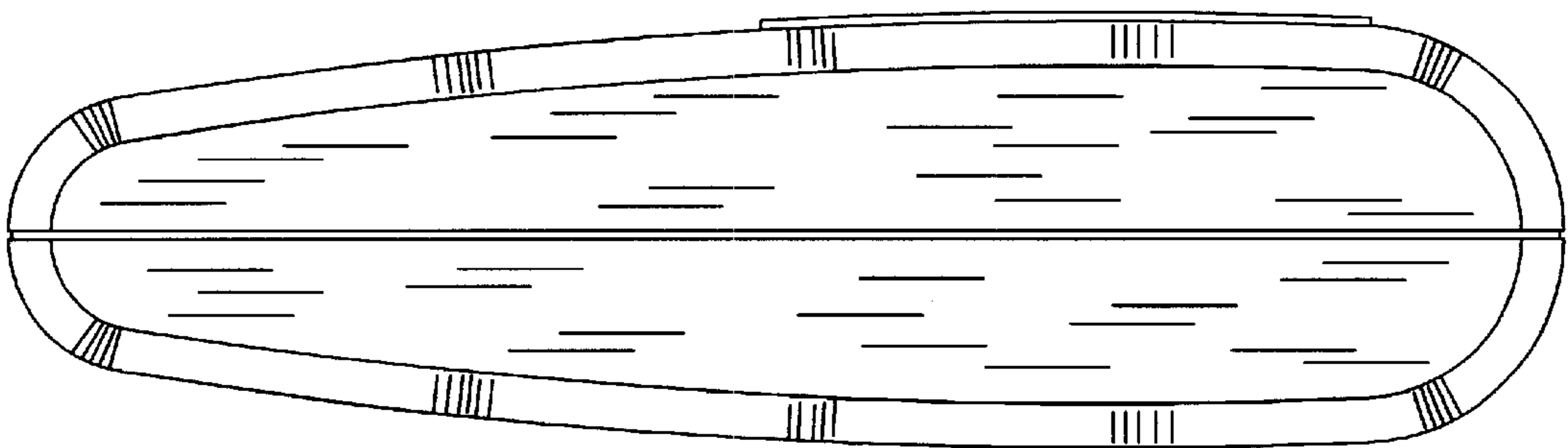


FIG. - 4

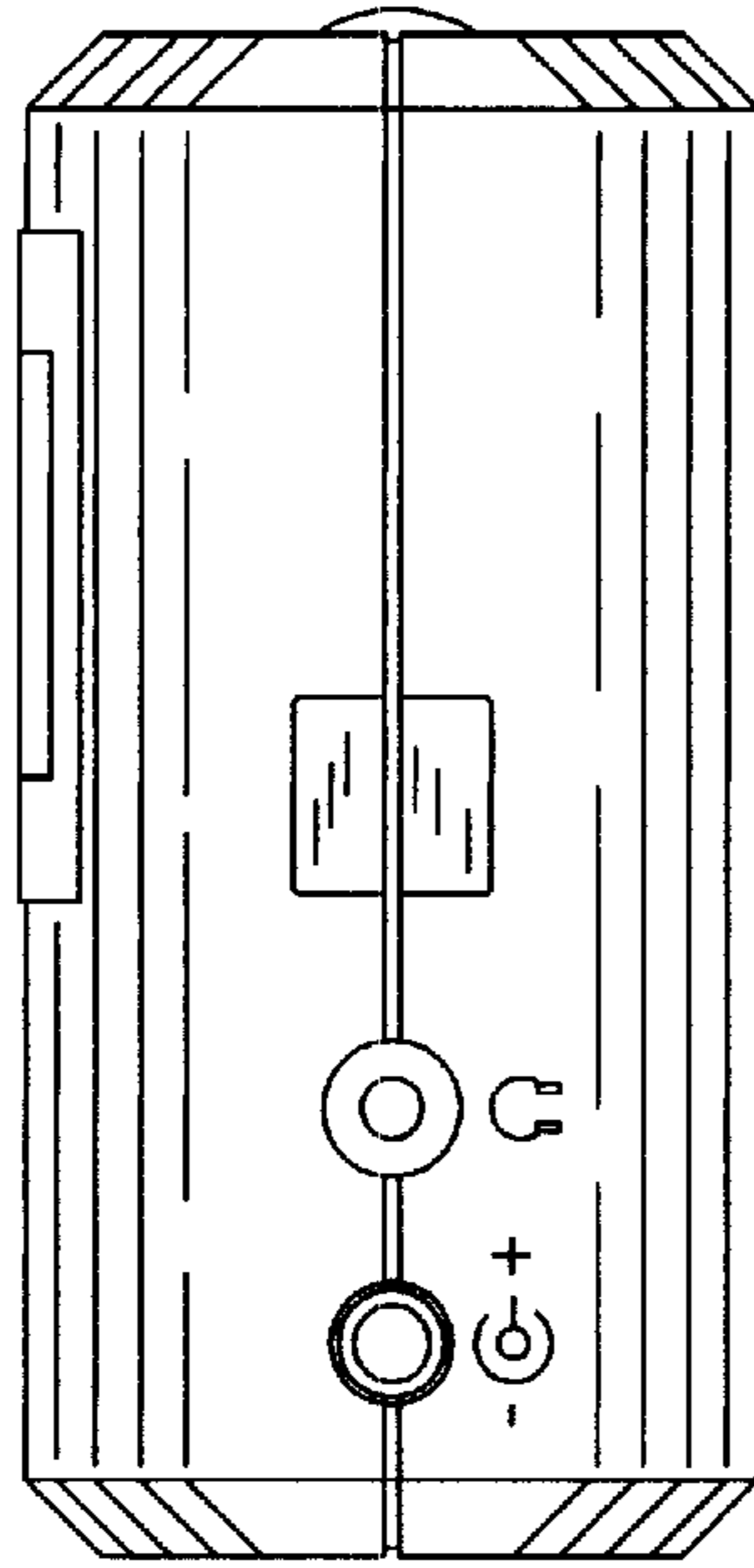


FIG. - 5

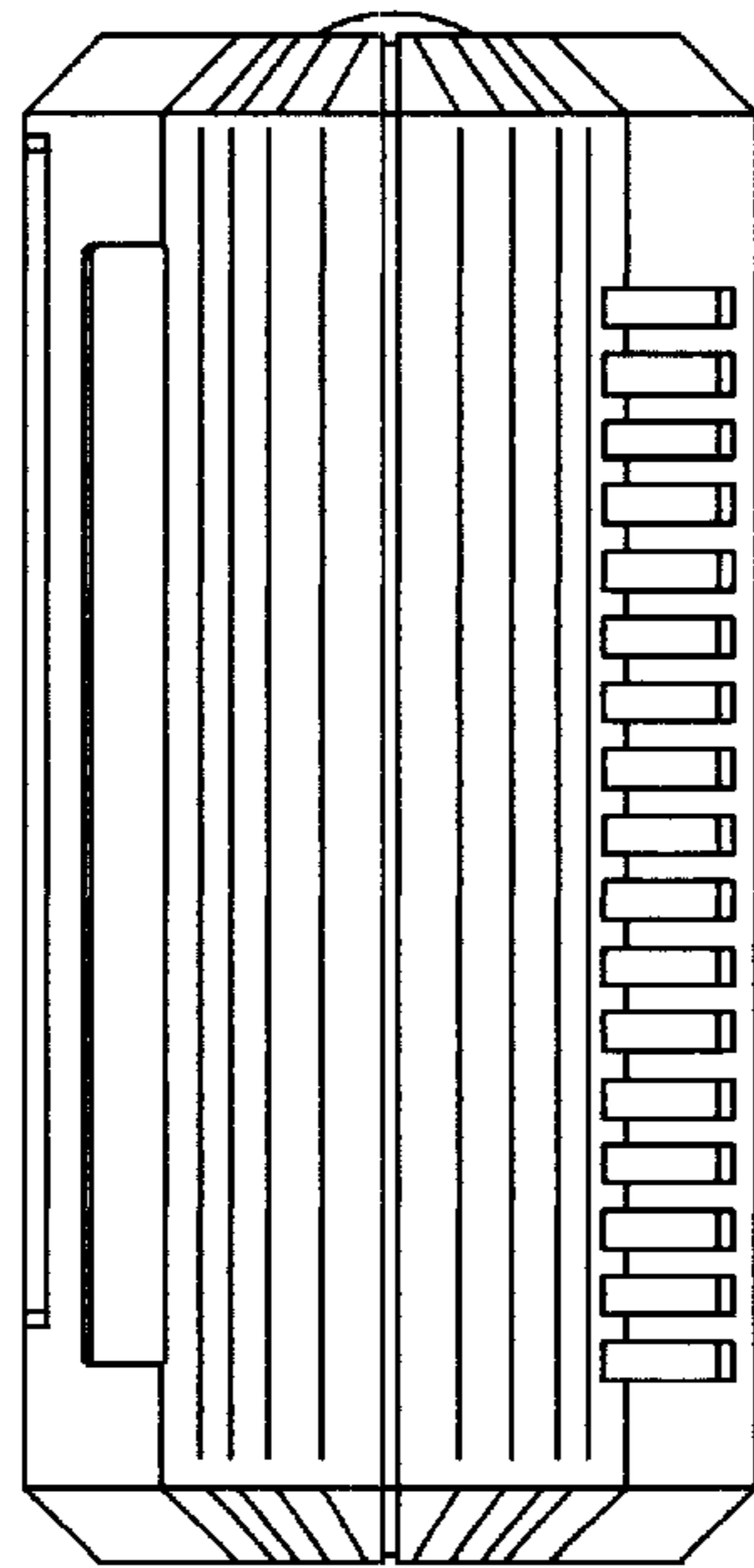


FIG. - 6