



US00D455411S

(12) **United States Design Patent**  
**Wong**

(10) **Patent No.:** **US D455,411 S**

(45) **Date of Patent:** **\*\* Apr. 9, 2002**

(54) **TWO WAY RADIO WITH VOX AND STOPWATCH**

(75) **Inventor:** **Yale Siu Cheong Wong**, Causeway Bay (HK)

(73) **Assignee:** **Victory Concept Industries Limited.**, Kowloon (HK)

(\*\*) **Term:** **14 Years**

(21) **Appl. No.:** **29/146,260**

(22) **Filed:** **Aug. 8, 2001**

(51) **LOC (7) Cl.** ..... **14-03**

(52) **U.S. Cl.** ..... **D14/137**

(58) **Field of Search** ..... D14/137, 358, D14/138, 218, 147-148, 155, 247-248, 159, 144, 192, 194, 341-347, 198; 379/433.01-433.13, 419, 434, 428.01-428.04, 420.01-420.04, 440; 455/550-575, 351, 90, 347, 350

(56) **References Cited**

**U.S. PATENT DOCUMENTS**

|            |   |         |                 |       |         |
|------------|---|---------|-----------------|-------|---------|
| D383,457 S | * | 9/1997  | Yahaya          | ..... | D14/137 |
| D384,345 S | * | 9/1997  | Lindeman et al. | ..... | D14/137 |
| D385,269 S | * | 10/1997 | Kim             | ..... | D14/137 |
| D387,758 S | * | 12/1997 | Oross et al.    | ..... | D14/137 |
| D389,827 S | * | 1/1998  | Oross et al.    | ..... | D14/137 |
| D395,882 S | * | 7/1998  | Oross et al.    | ..... | D14/137 |
| D404,034 S | * | 1/1999  | Bhavnani        | ..... | D14/194 |
| D406,834 S | * | 3/1999  | Metzcus et al.  | ..... | D14/138 |
| D412,501 S | * | 8/1999  | Tyneski et al.  | ..... | D14/137 |

|            |   |         |                    |       |         |
|------------|---|---------|--------------------|-------|---------|
| D416,252 S | * | 11/1999 | Haase et al.       | ..... | D14/137 |
| D418,137 S | * | 12/1999 | Zeitman            | ..... | D14/194 |
| D418,833 S | * | 1/2000  | Seo                | ..... | D14/137 |
| D419,154 S | * | 1/2000  | Page et al.        | ..... | D14/137 |
| D428,866 S | * | 8/2000  | You                | ..... | D14/137 |
| D430,126 S | * | 8/2000  | Lee                | ..... | D14/137 |
| D433,001 S | * | 10/2000 | Haase et al.       | ..... | D14/137 |
| D433,395 S | * | 11/2000 | Wong               | ..... | D14/137 |
| D433,396 S | * | 11/2000 | Wong               | ..... | D14/137 |
| D442,940 S | * | 5/2001  | Huthmaker          | ..... | D14/192 |
| D446,144 S | * | 8/2001  | Christensen et al. | ..... | D10/104 |
| D446,195 S | * | 8/2001  | Chamberlain et al. | ..... | D14/137 |
| D446,780 S | * | 8/2001  | Sedan et al.       | ..... | D14/137 |

\* cited by examiner

*Primary Examiner*—Jeffrey Asch

(74) *Attorney, Agent, or Firm*—Rabin & Berdo, P.C.

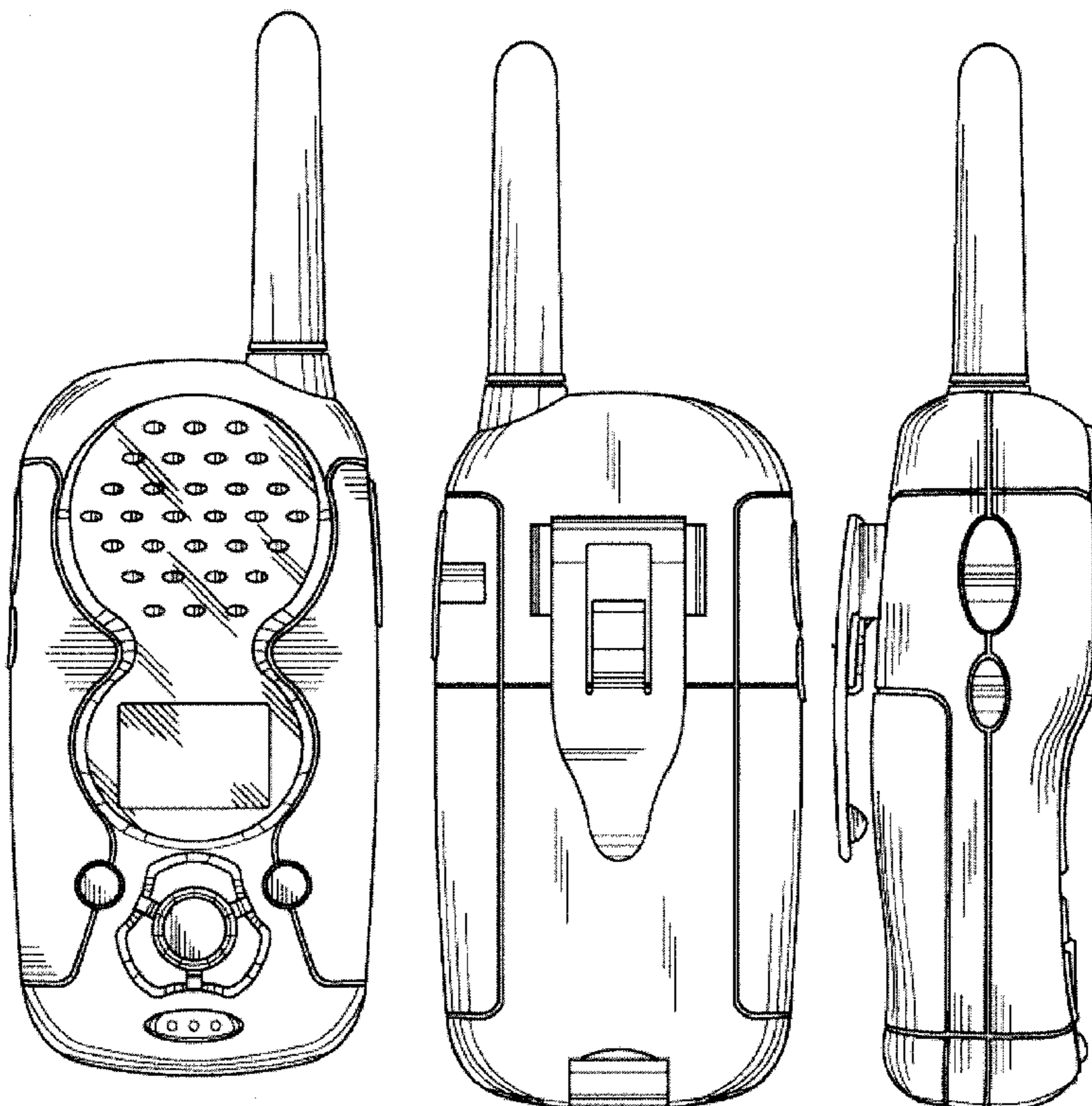
(57) **CLAIM**

The ornamental design for a two way radio with vox and stopwatch, as shown and described.

**DESCRIPTION**

FIG. 1 is a front view of a two way radio with vox and stopwatch showing my new design;  
FIG. 2 is a rear view thereof;  
FIG. 3 is a left side view thereof;  
FIG. 4 is a right side view thereof;  
FIG. 5 is a top view thereof;  
FIG. 6 is a bottom view thereof; and,  
FIG. 7 is a perspective view thereof.

**1 Claim, 7 Drawing Sheets**



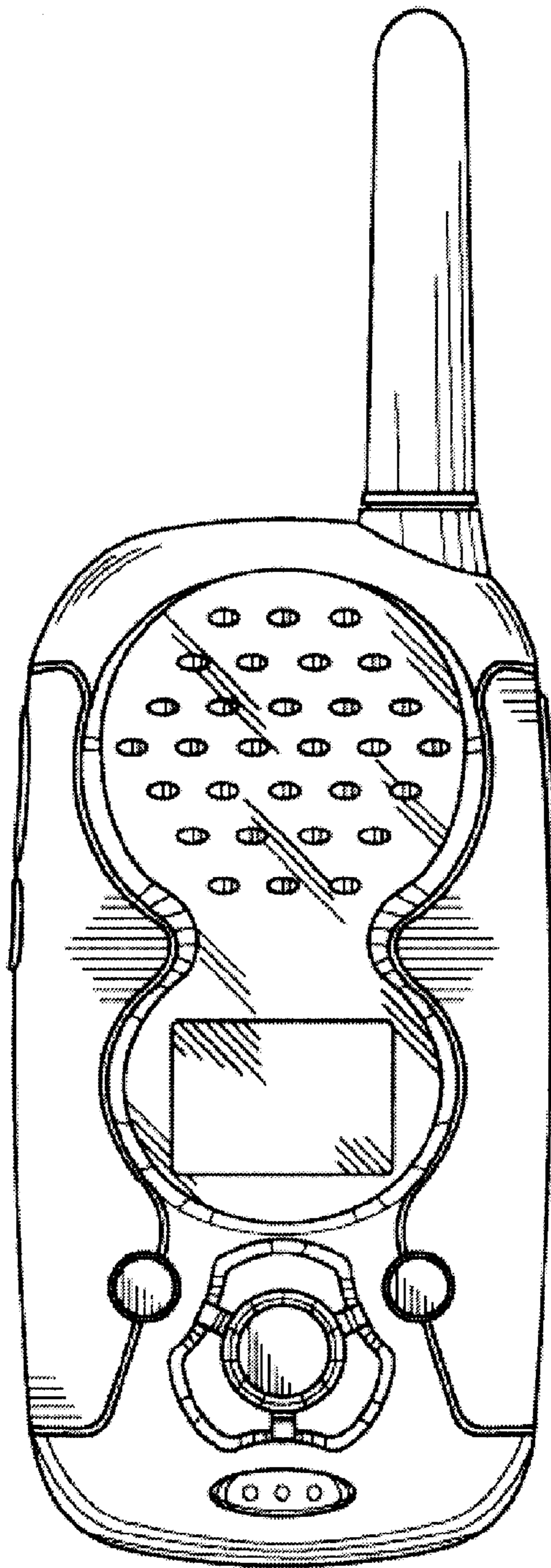


FIG 1

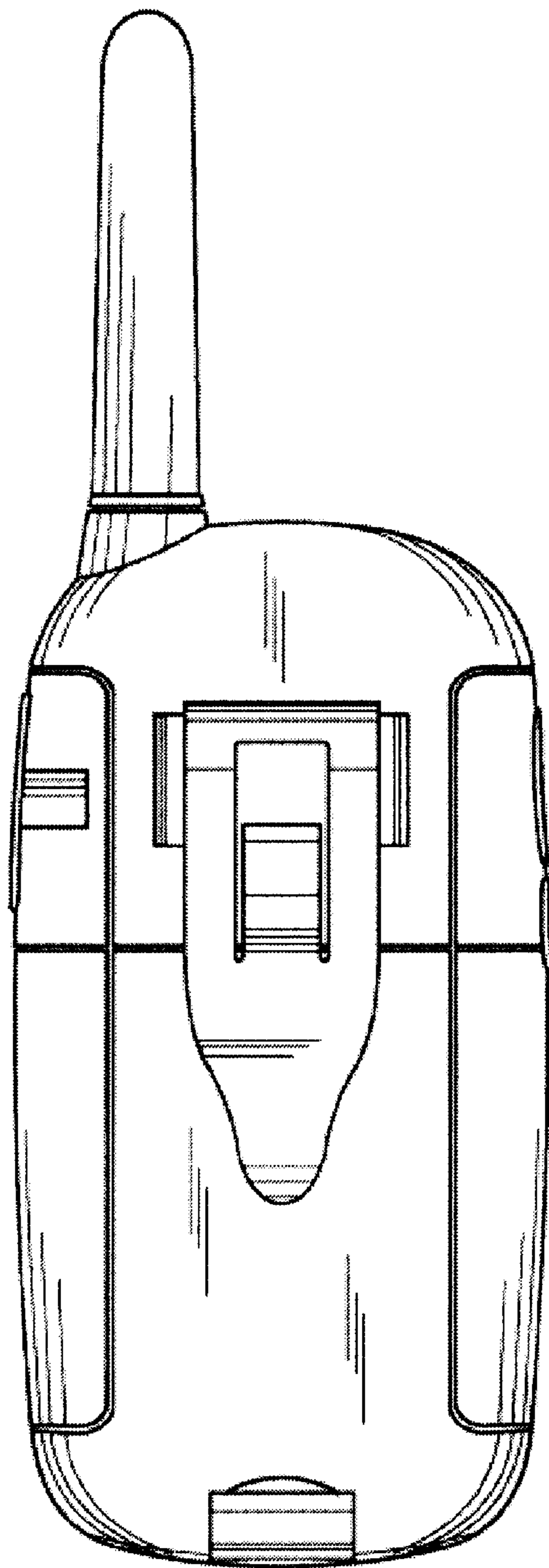


FIG 2

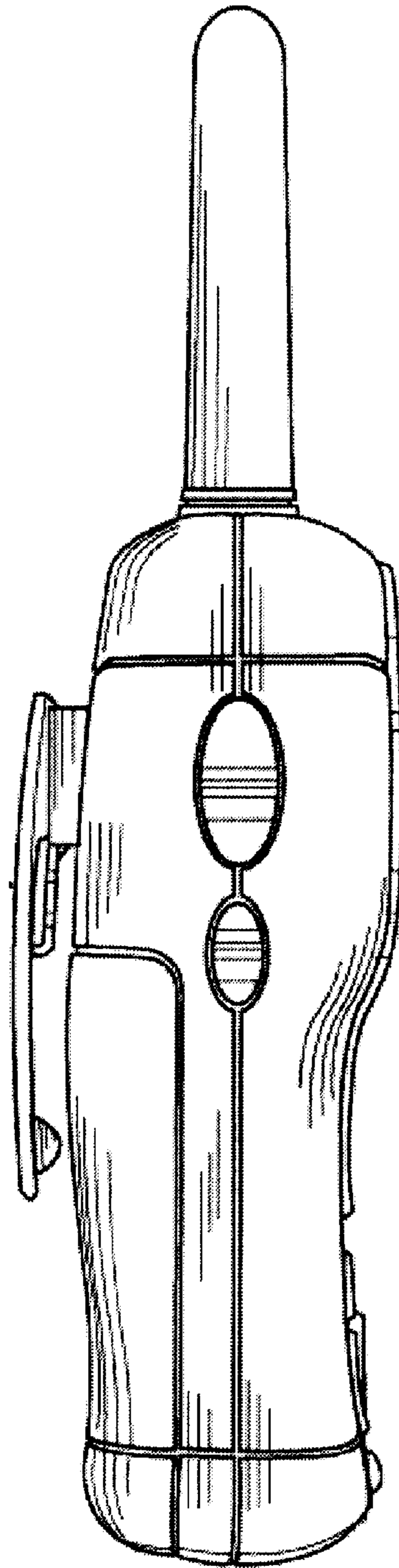


FIG 3

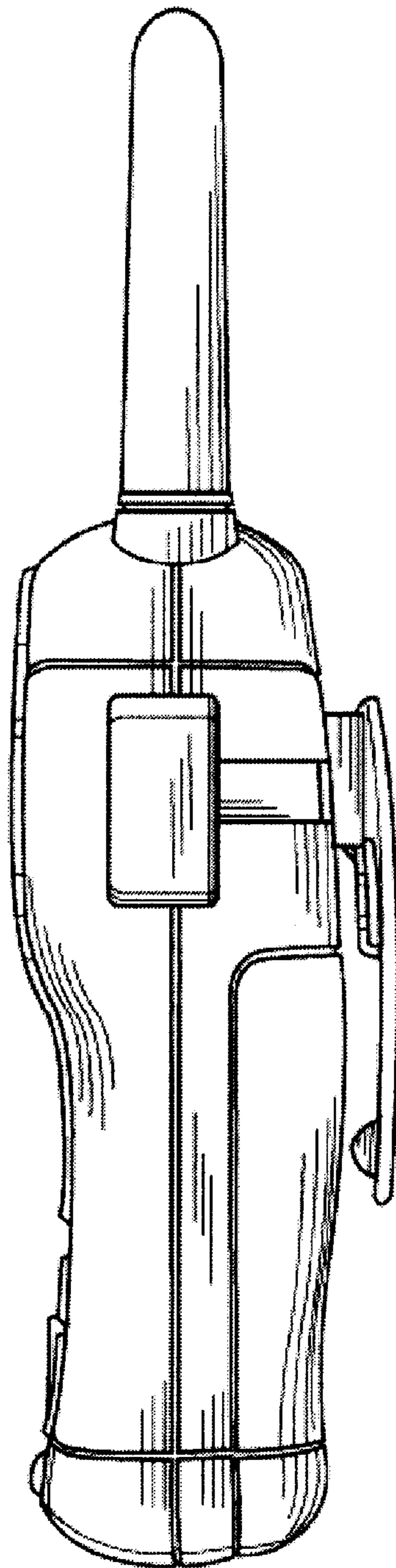


FIG 4

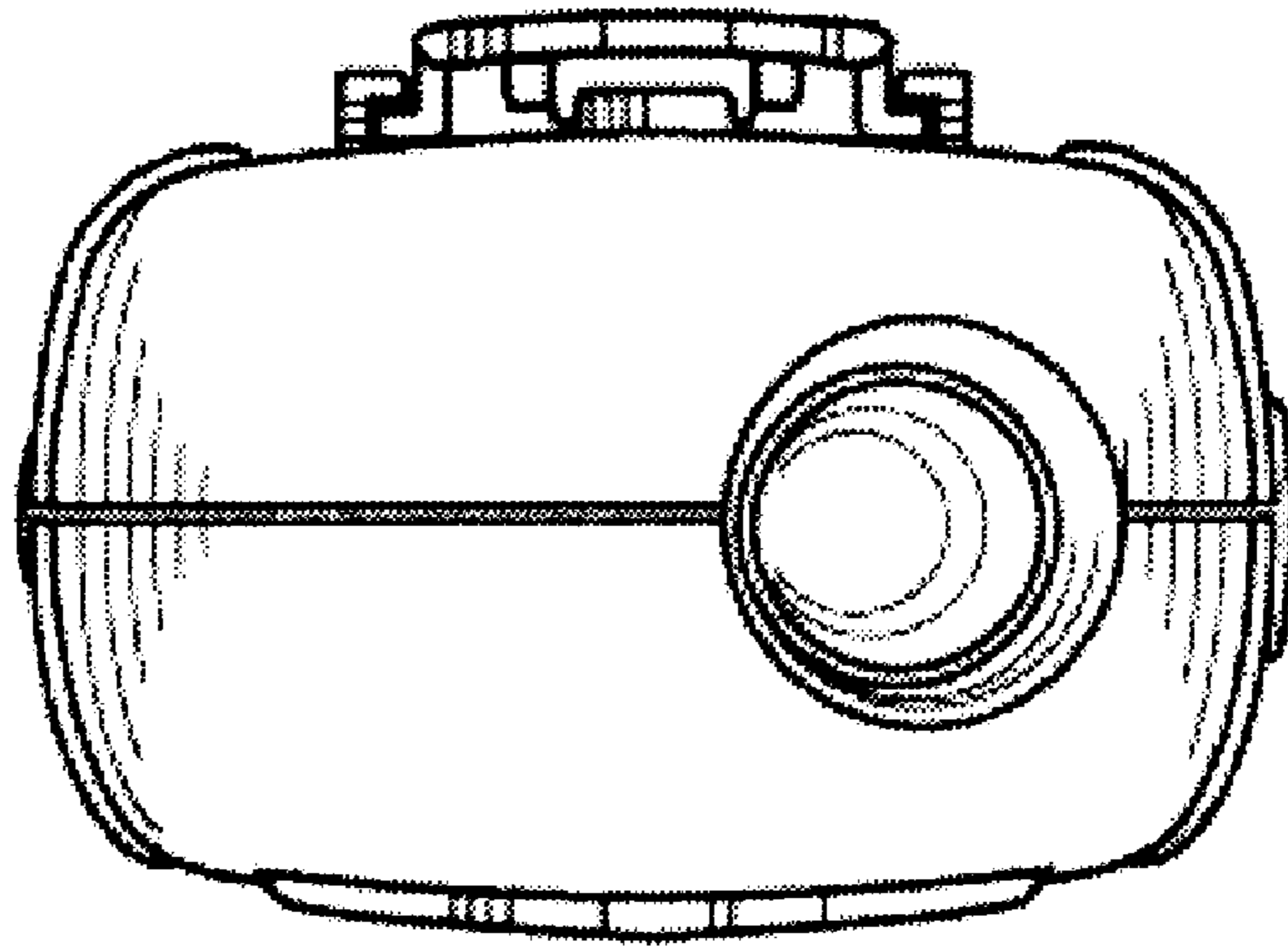


FIG 5

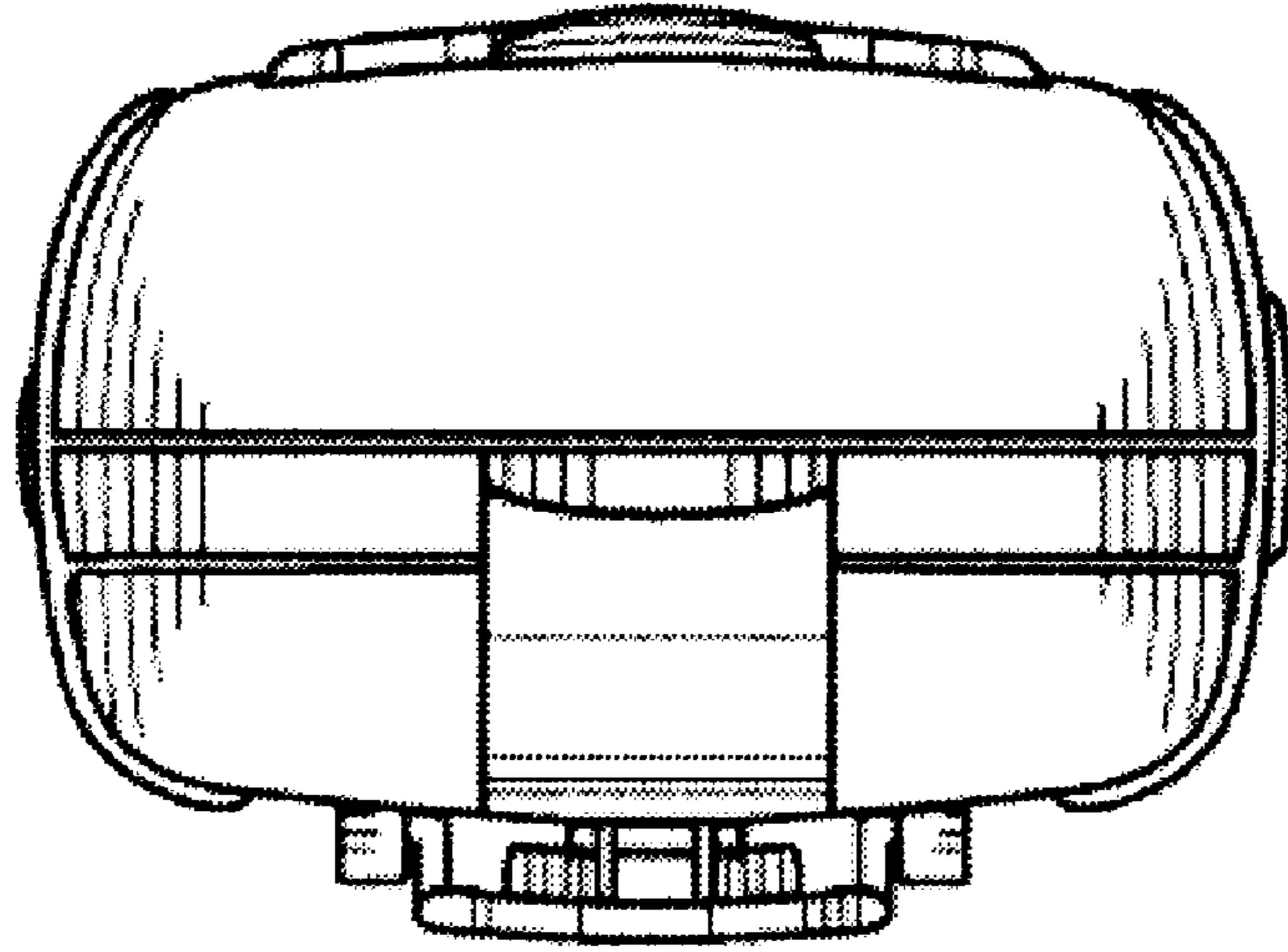


FIG 6

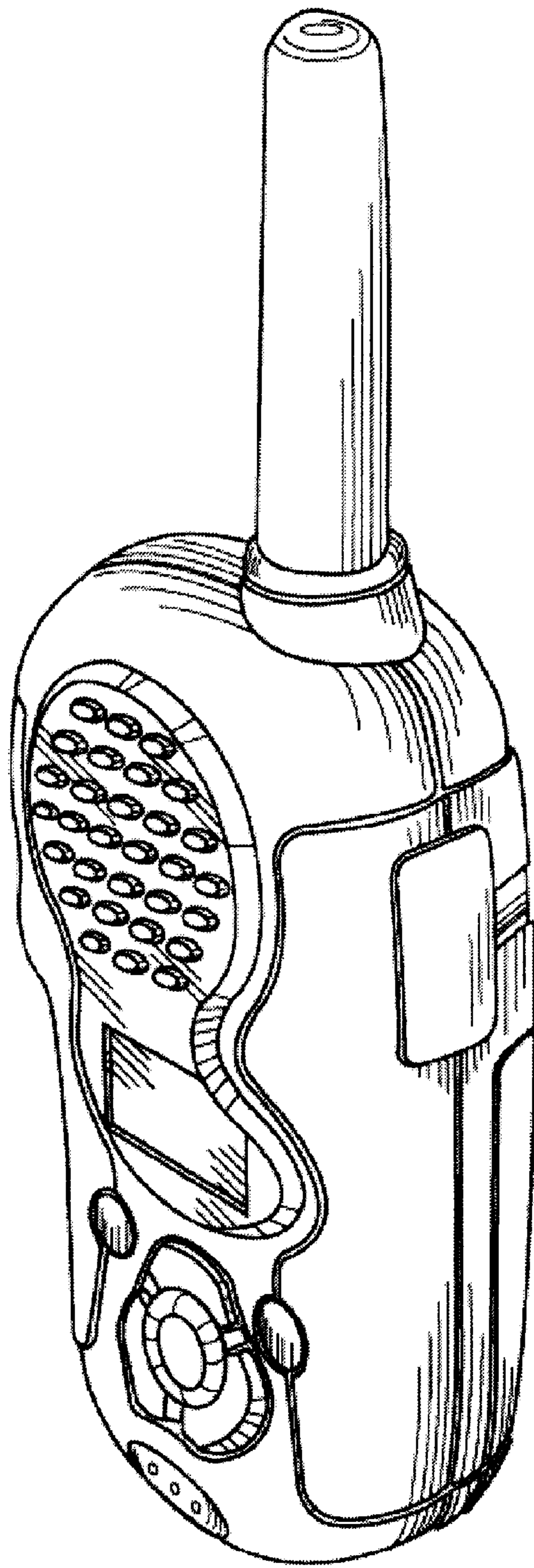


FIG 7