



US00D455406S

(12) **United States Design Patent**  
**Pinchuk**

(10) **Patent No.:** **US D455,406 S**

(45) **Date of Patent:** **\*\* Apr. 9, 2002**

(54) **AUTOMATIC LIGHT CONTROLLER WITH SOUND AND MOTION ACTIVATION**

(75) Inventor: **Rene C. Pinchuk**, Kensington, CA (US)

(73) Assignee: **Sharper Image Corporation**, San Francisco, CA (US)

(\*\*) Term: **14 Years**

(21) Appl. No.: **29/134,244**

(22) Filed: **Dec. 13, 2000**

(51) **LOC (7) Cl.** ..... **09-01**

(52) **U.S. Cl.** ..... **D13/165; D13/158**

(58) **Field of Search** ..... D10/104, 106; D13/158, 165, 170, 174; 174/66; 200/310, 329, 332, 341; 220/241, 242

(56) **References Cited**

**U.S. PATENT DOCUMENTS**

D302,951 S	*	8/1989	Kotlicki et al.	.....	D10/106
4,973,801 A	*	11/1990	Frick et al.	.....	200/43.19
D327,471 S	*	6/1992	Frick	.....	D13/158
5,128,654 A	*	7/1992	Griffin et al.	.....	340/567
D343,386 S	*	1/1994	Mueller	.....	D13/158
D381,283 S	*	7/1997	Soreo	.....	D10/106
D430,055 S	*	8/2000	Aiello et al.	.....	D10/106
D439,853 S	*	4/2001	Aiello et al.	.....	D10/104

**OTHER PUBLICATIONS**

EC & M, Jul. 1999, p. 42, upper right corner.\*  
Sharper Image Corporation, *The Sharper Image Catalog*, Jul. 1994.  
Sharper Image Corporation, *The Sharper Image SPA*, Summer 1996.

\* cited by examiner

*Primary Examiner*—Ted Shooman

*Assistant Examiner*—Selina Sikder

(74) *Attorney, Agent, or Firm*—Fliesler Dubb Meyer & Lovejoy LLP

(57) **CLAIM**

The ornamental design for a automatic light controller with sound and motion activation, as shown.

**DESCRIPTION**

FIG. 1 is a front perspective view without the switchplate of a automatic light controller with sound and motion activation showing my new design;

FIG. 2 is a side elevation view without the switch plate thereof;

FIG. 3 is a front elevation view without the switchplate thereof;

FIG. 4 is a rear elevation view without the switchplate thereof;

FIG. 5 is a top plan view without the switchplate thereof;

FIG. 6 is a bottom plan view without the switchplate thereof;

FIG. 7 is a front perspective view including the switchplate thereof;

FIG. 8 is a side elevation view including the switch plate thereof;

FIG. 9 is a front elevation view including the switchplate thereof;

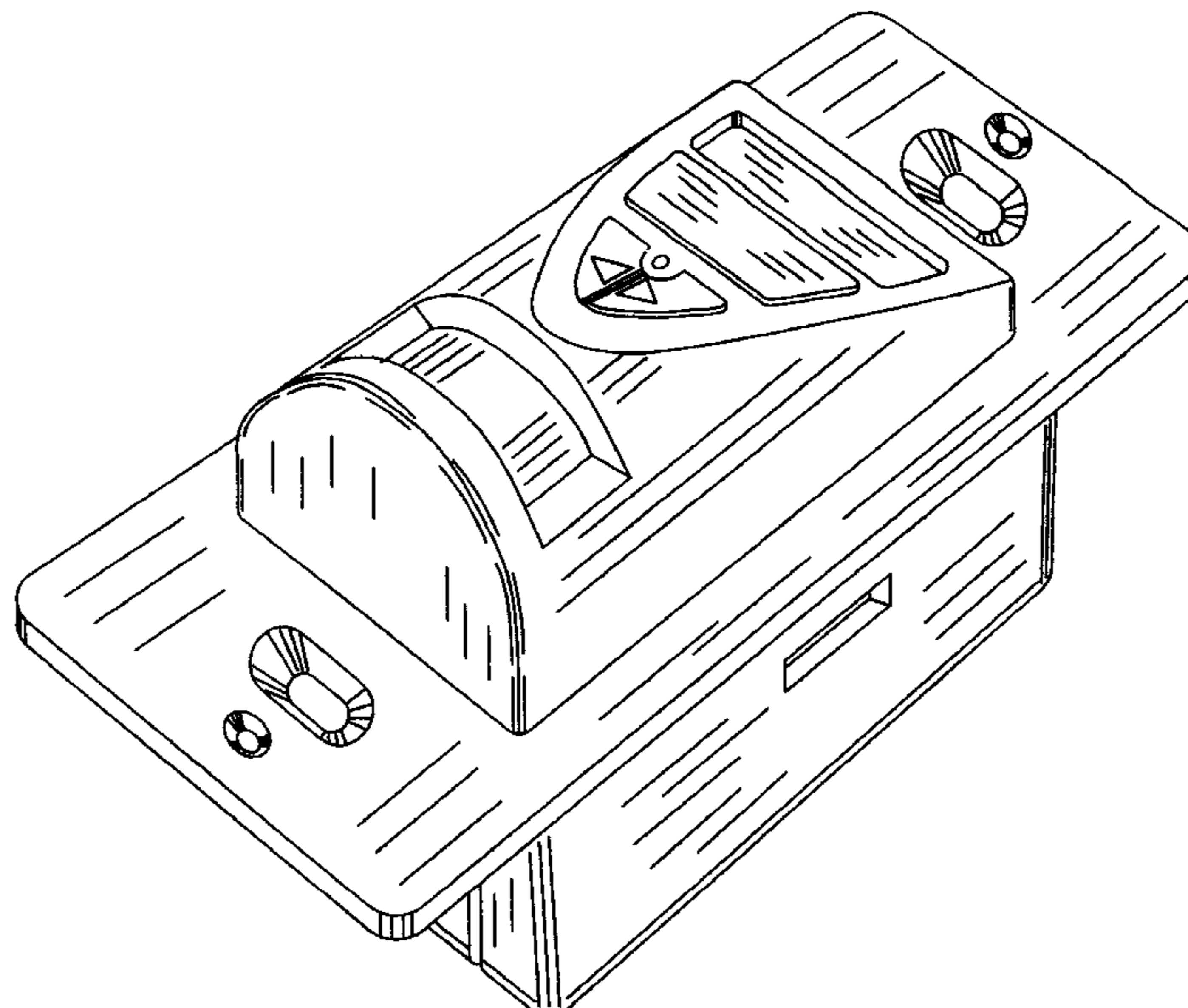
FIG. 10 is a rear elevation view including the switchplate thereof;

FIG. 11 is a top plan view including the switchplate thereof; and,

FIG. 12 is a bottom plan view including the switchplate thereof;

The switch plate is omitted in FIGS. 1–6 for convenience of illustration.

**1 Claim, 6 Drawing Sheets**



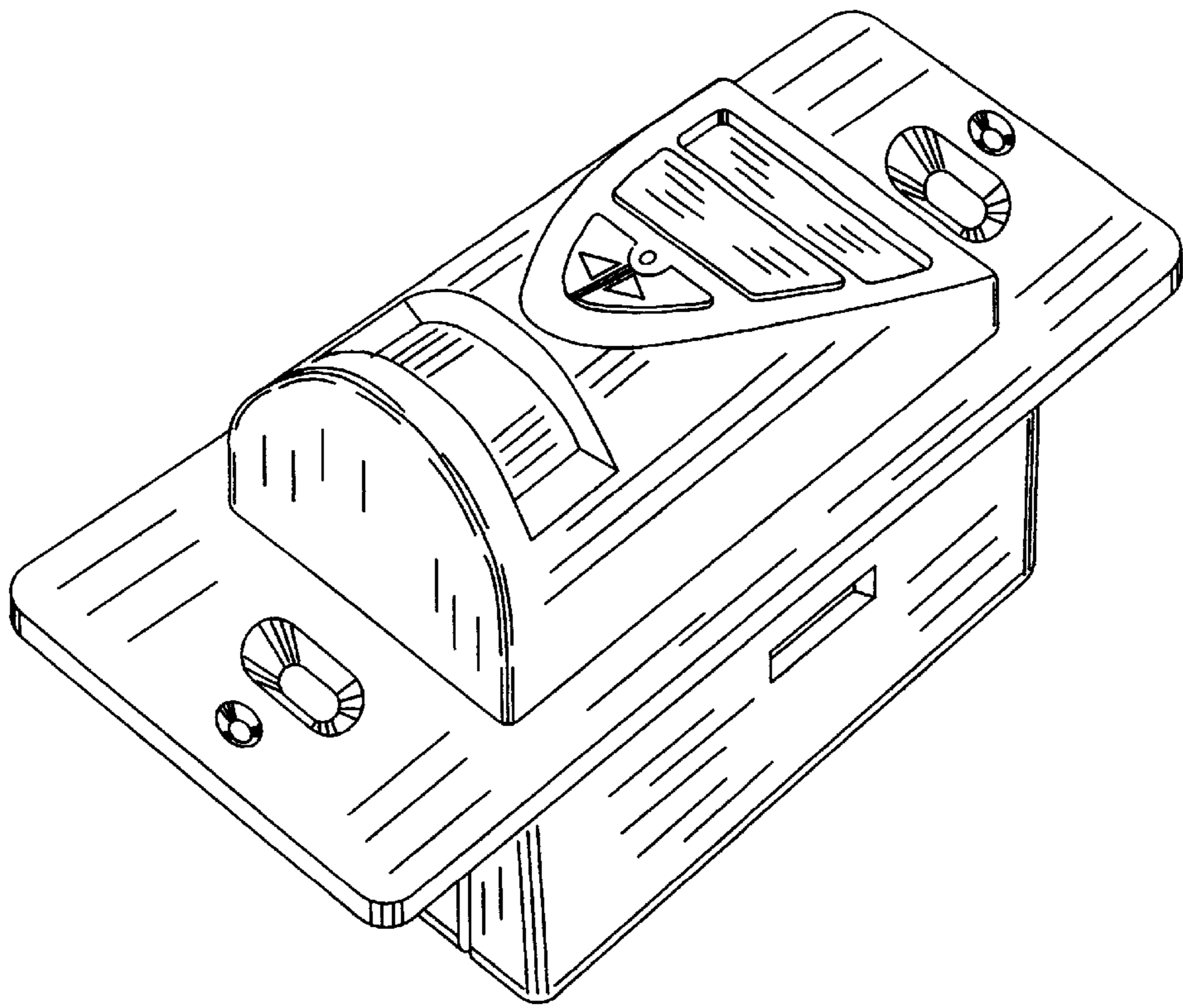


FIG.-1

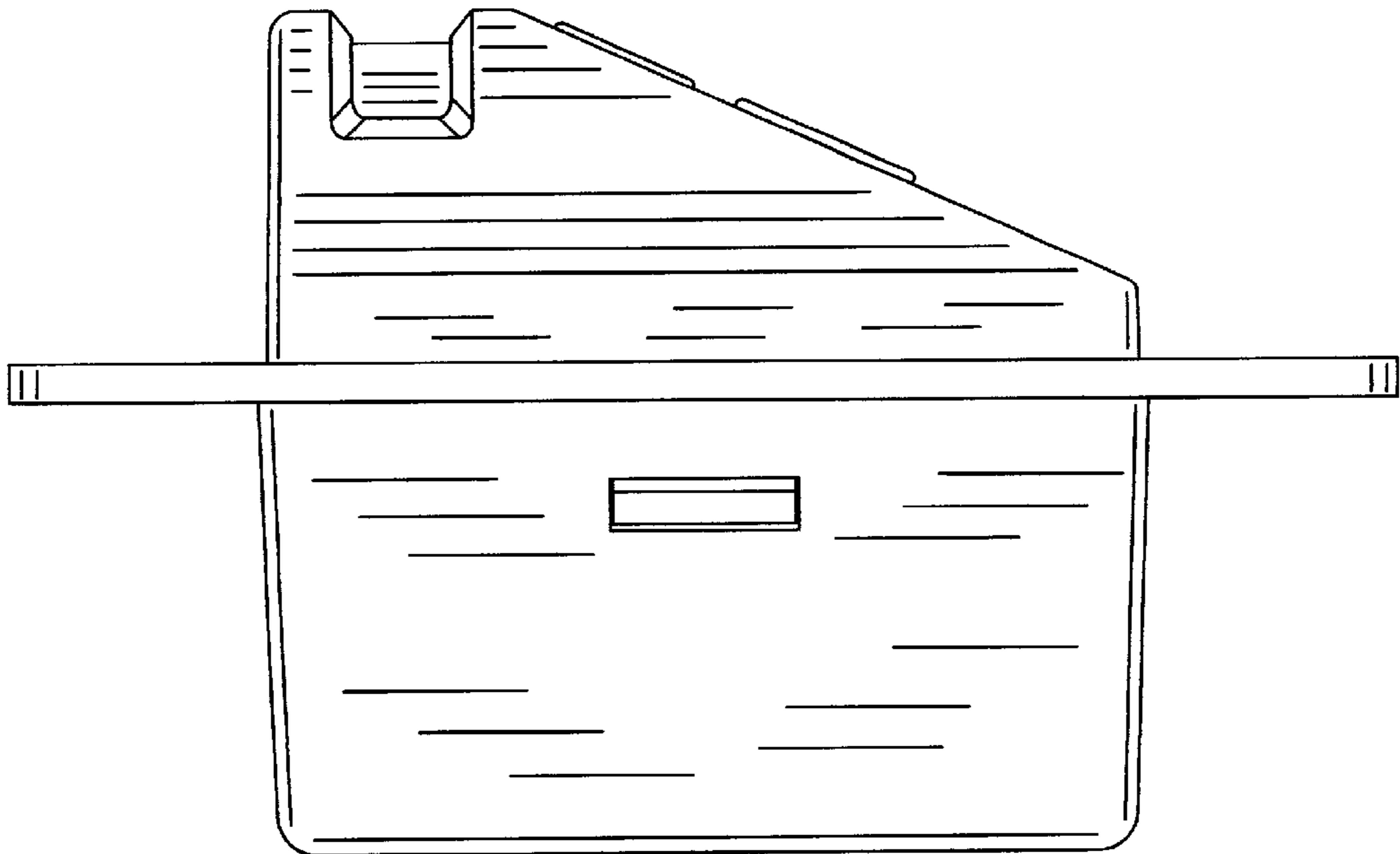


FIG.-2

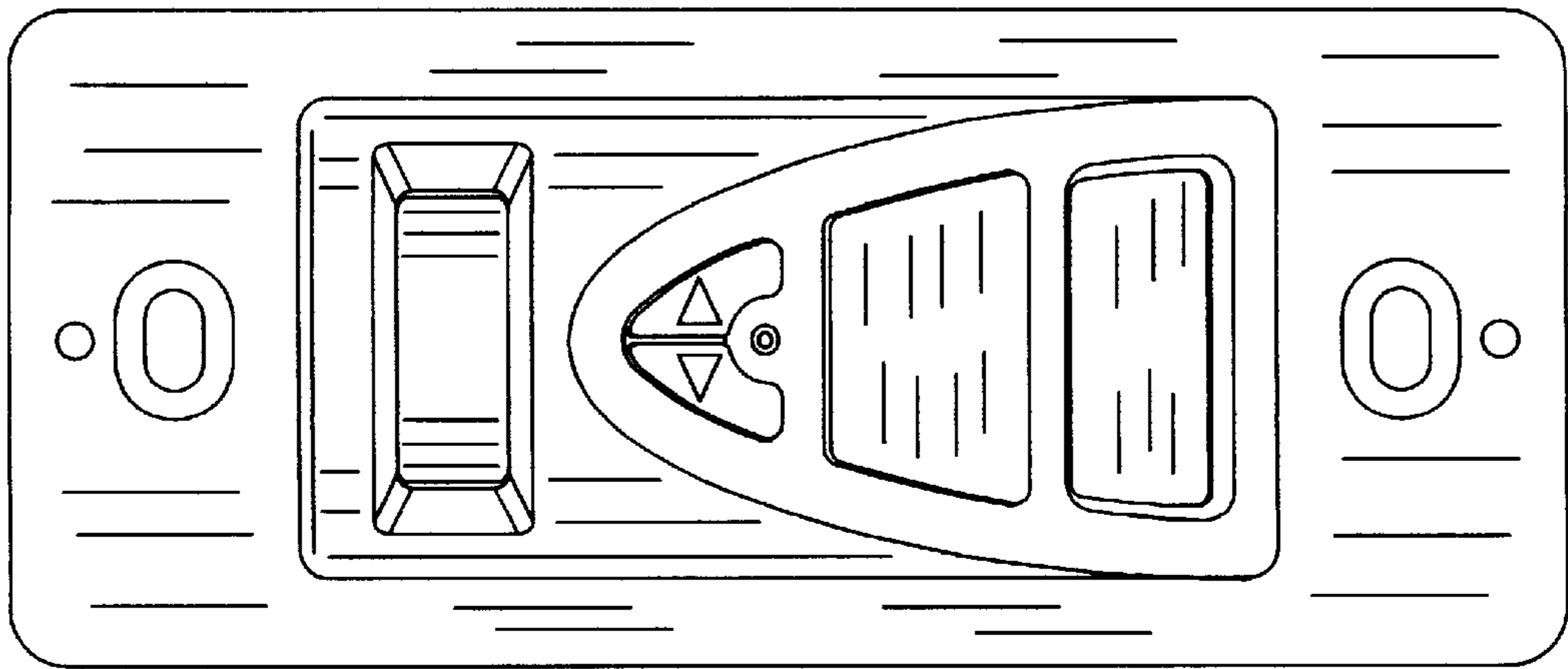


FIG.-3

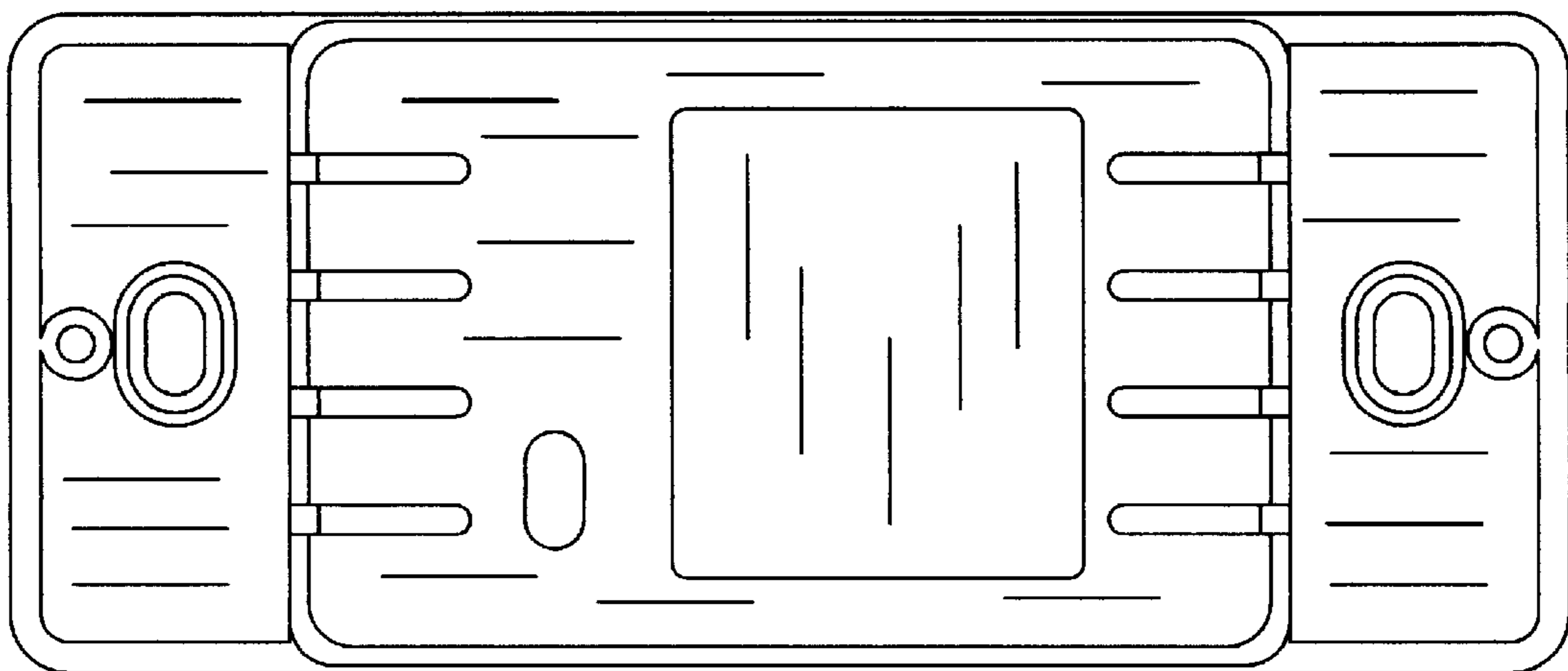


FIG.-4

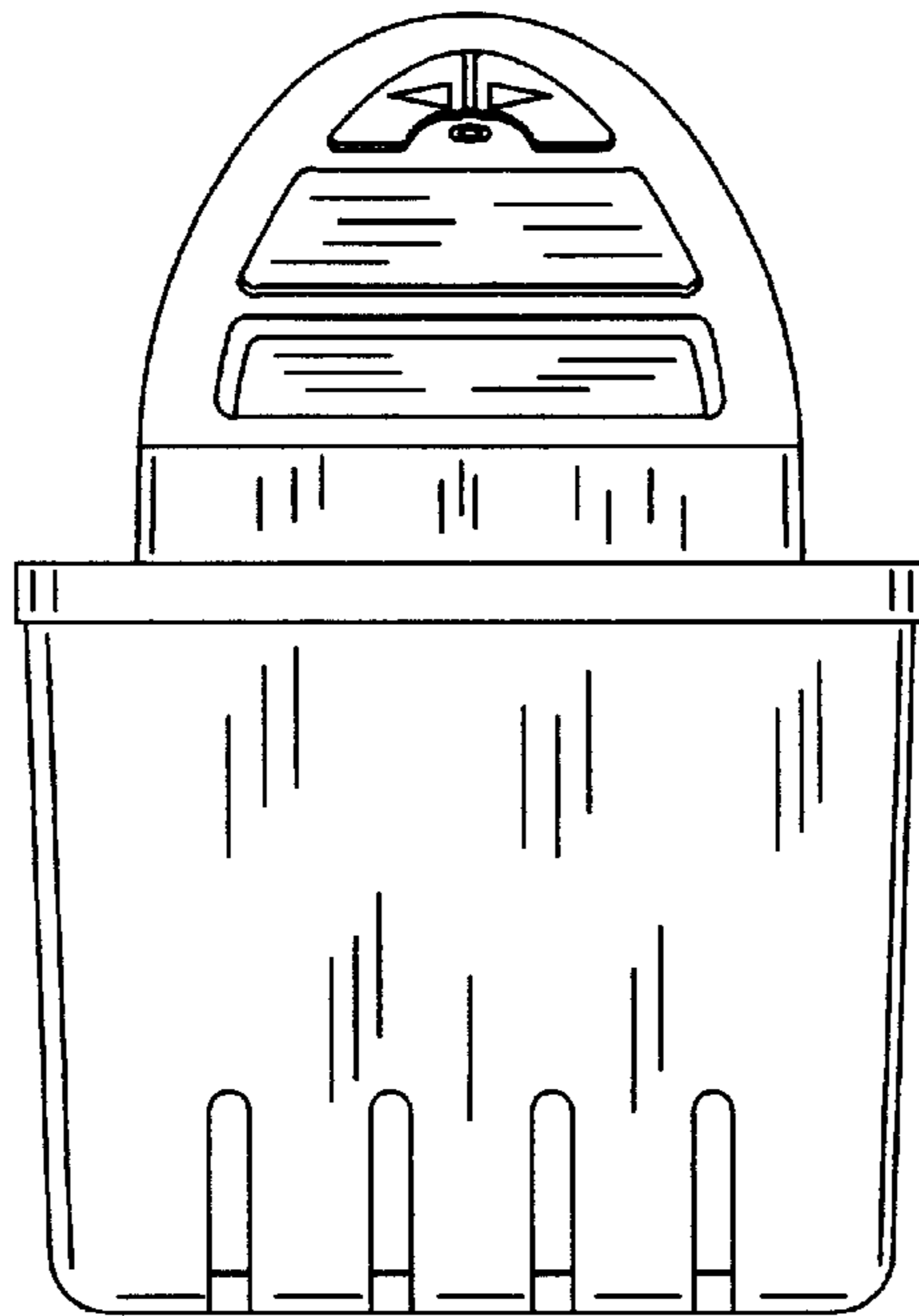


FIG.-5

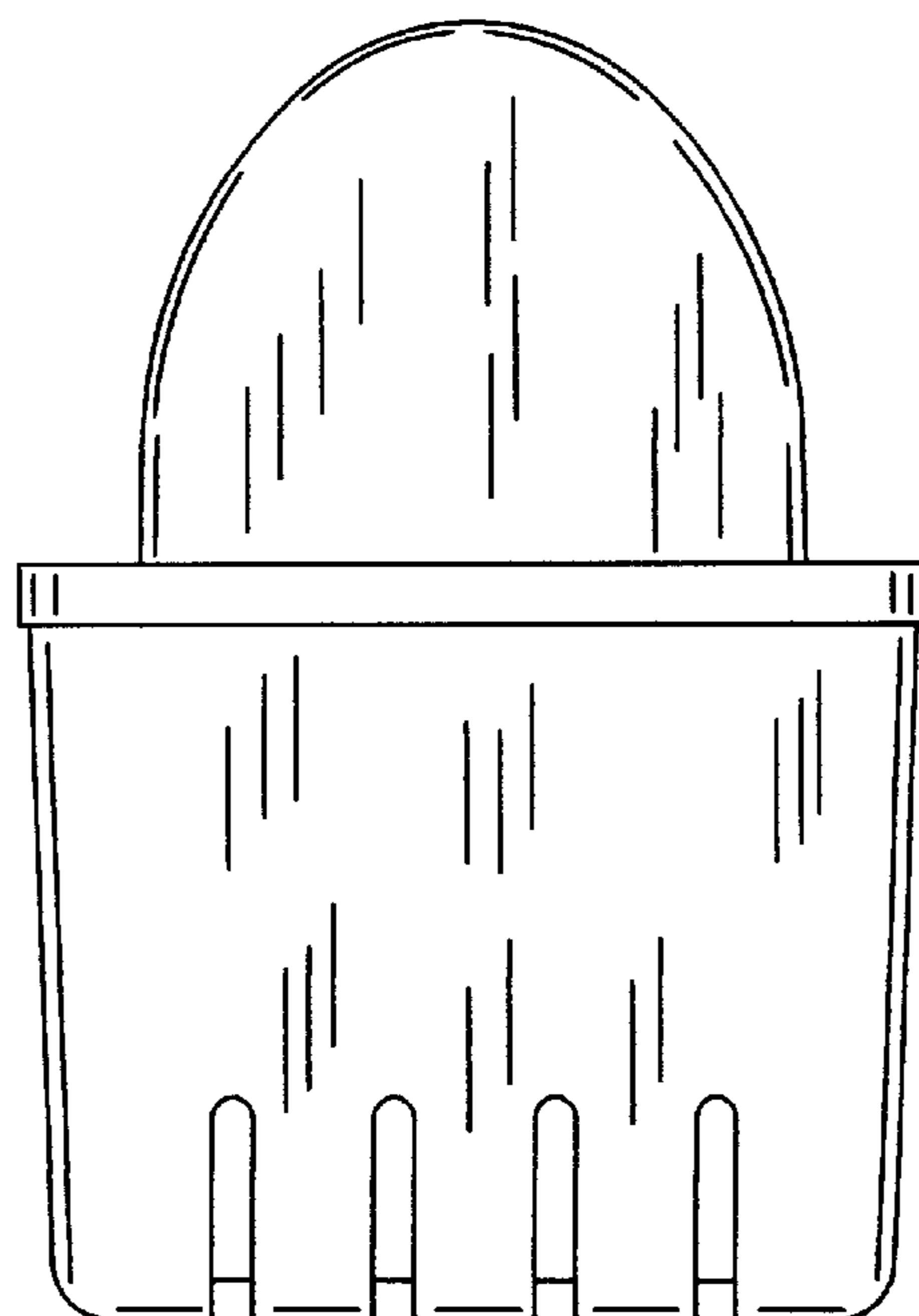


FIG.-6



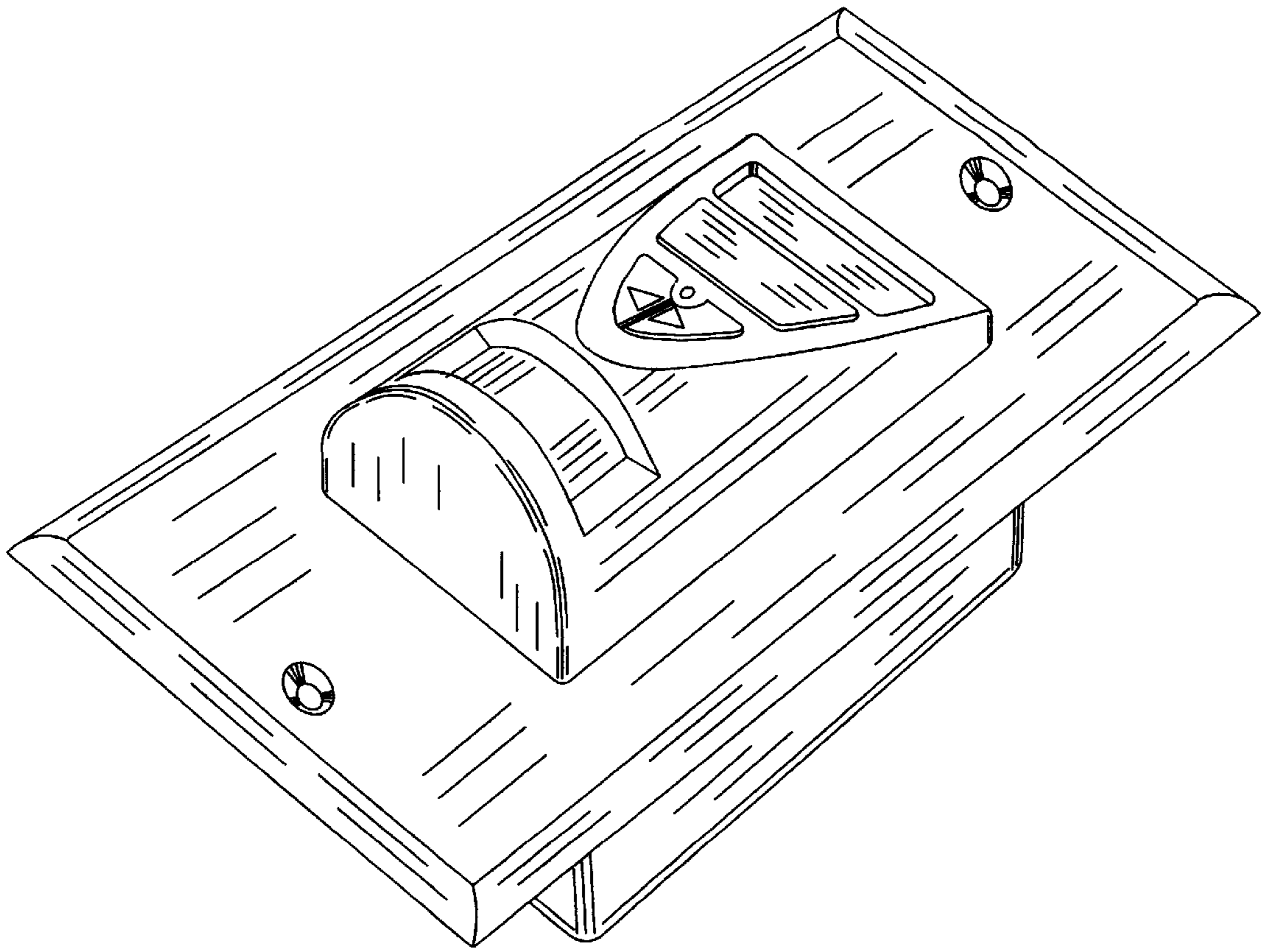


FIG.-7

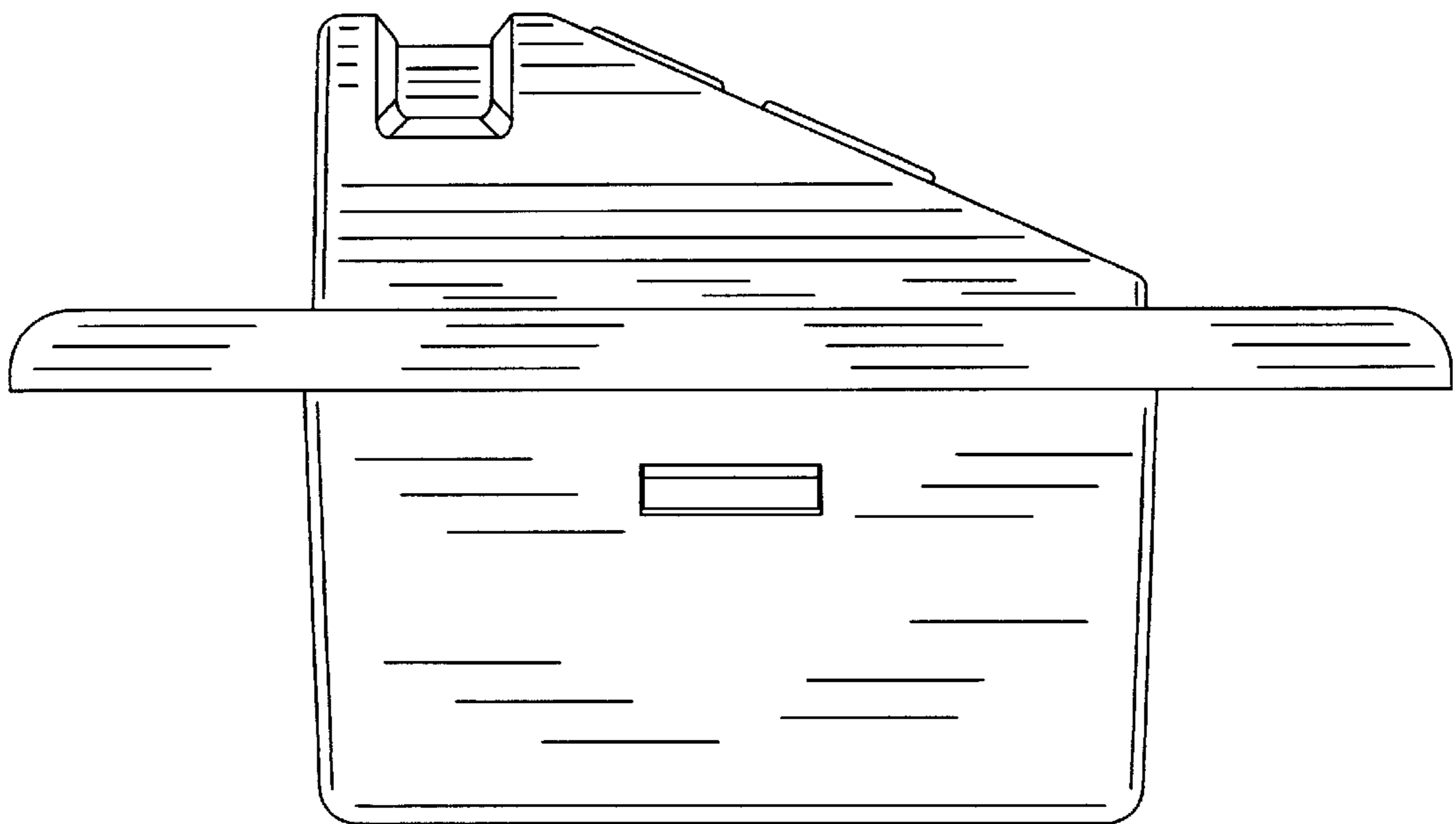


FIG.-8

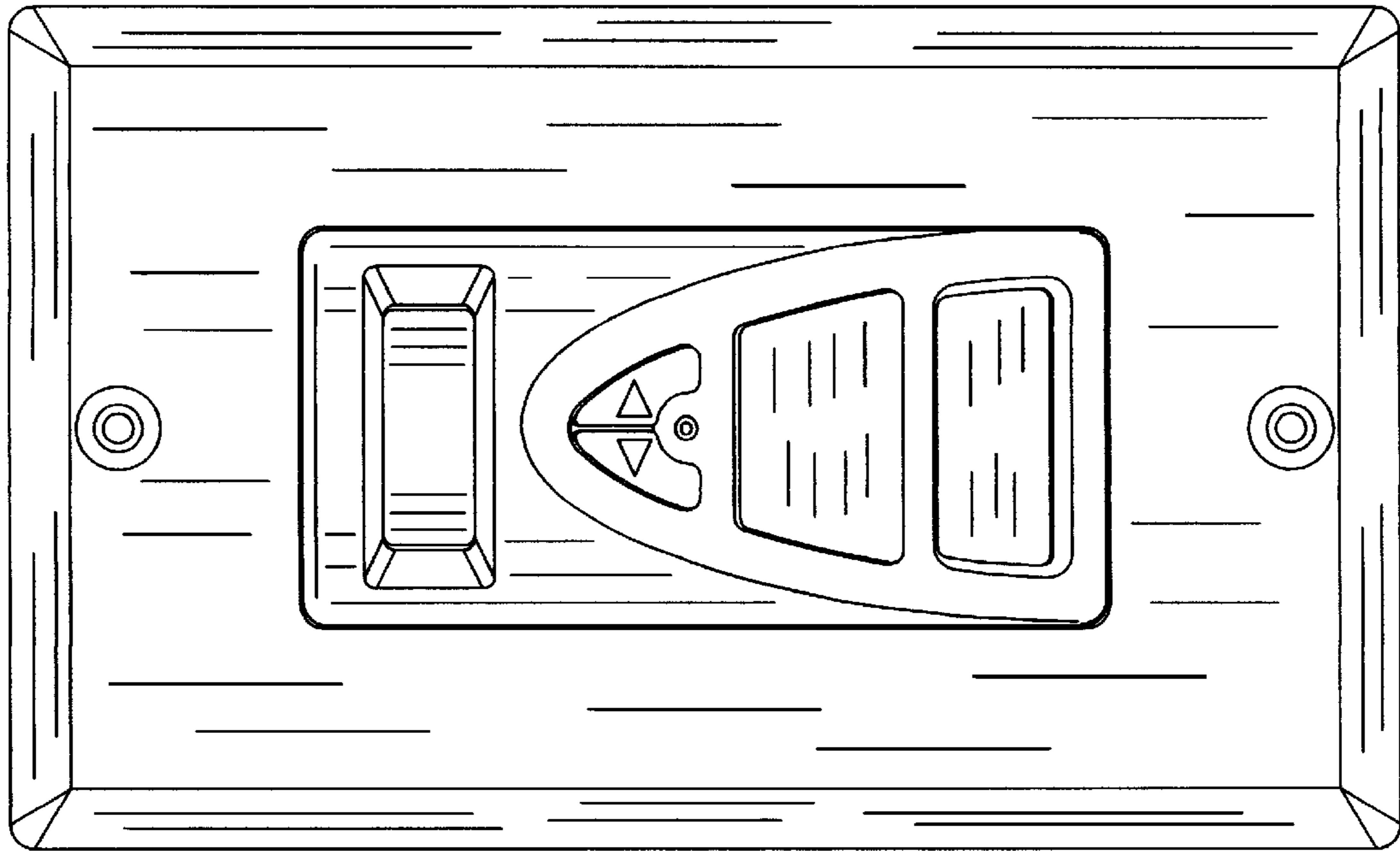


FIG.-9

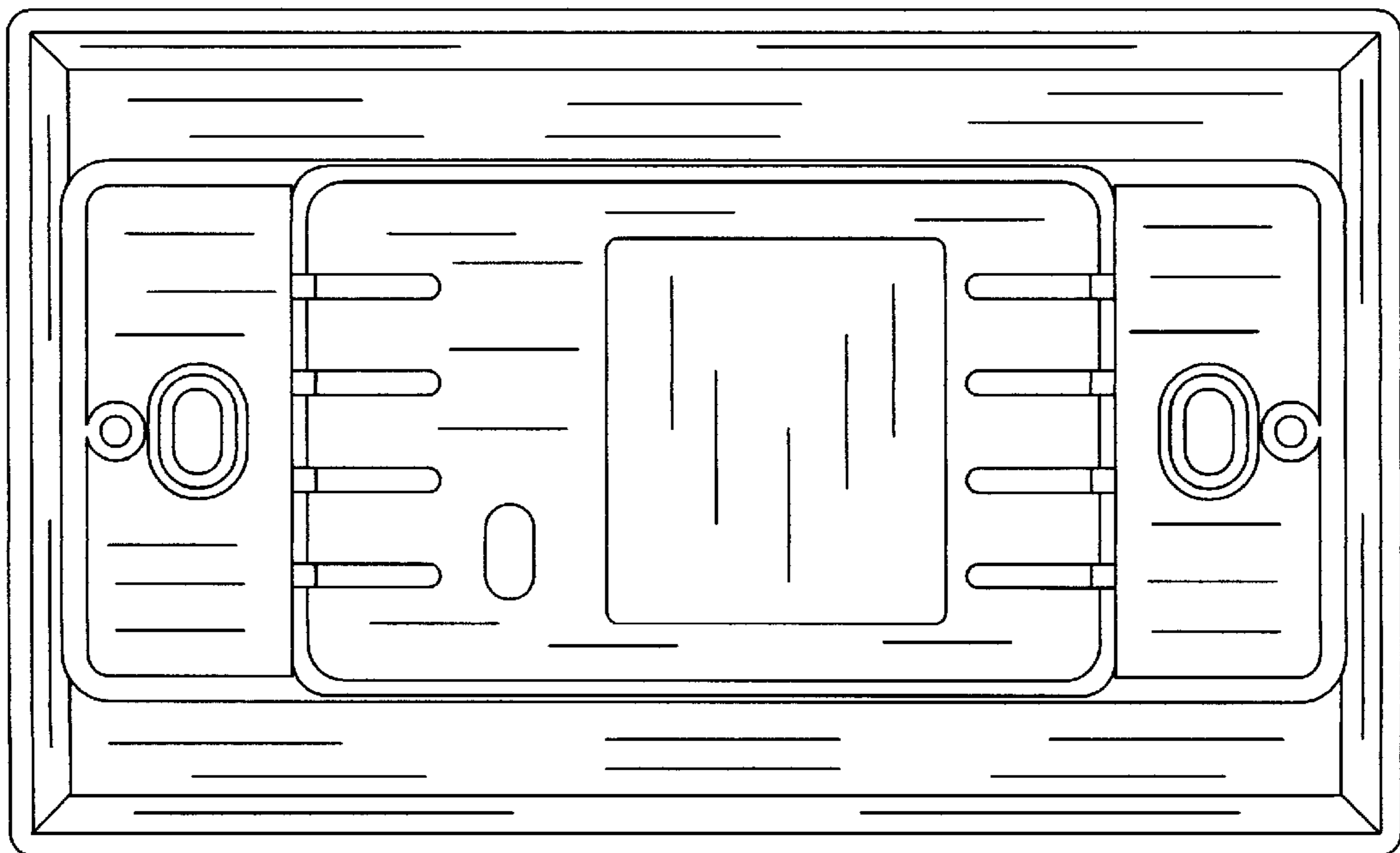


FIG.-10

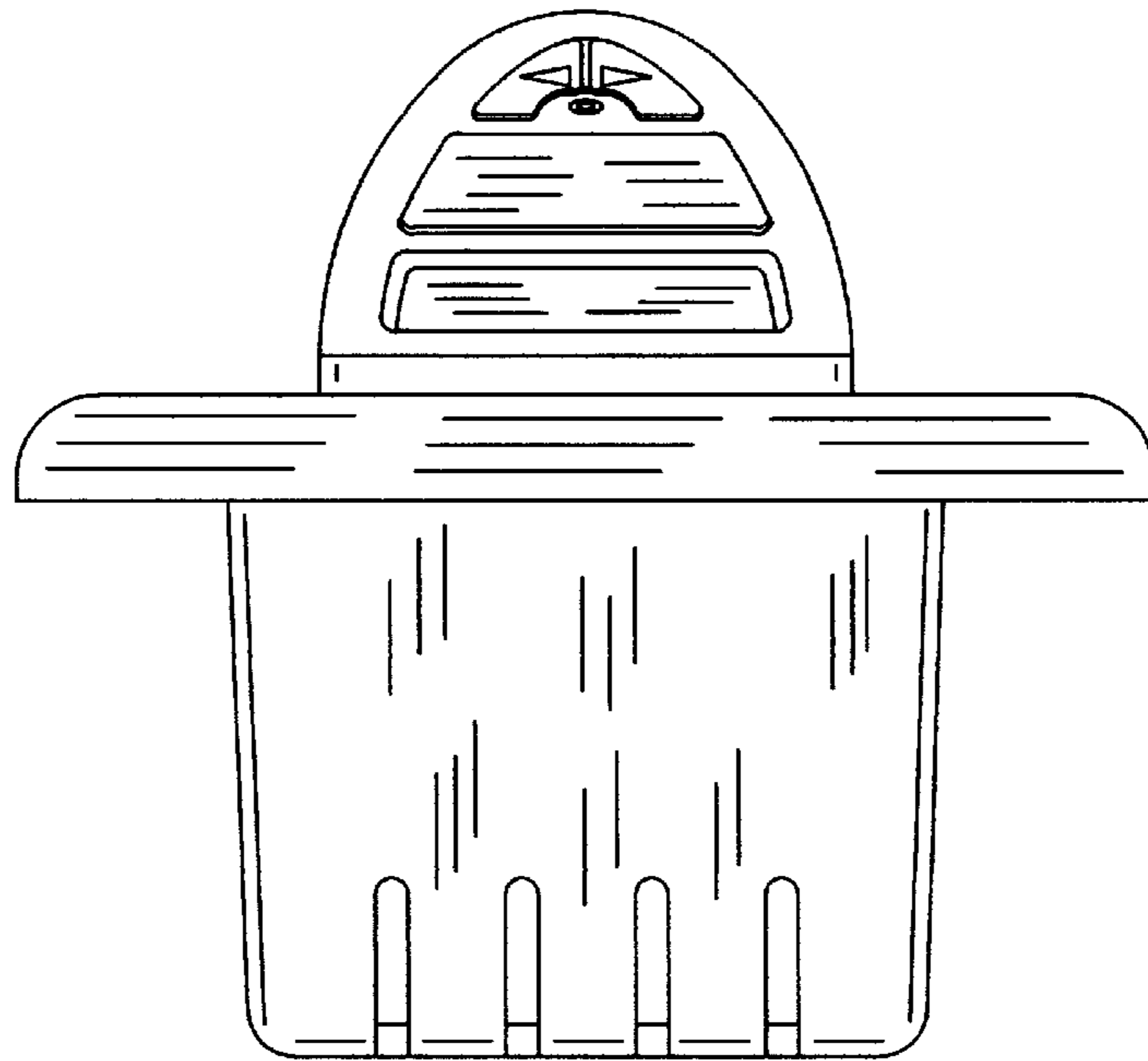


FIG.-11

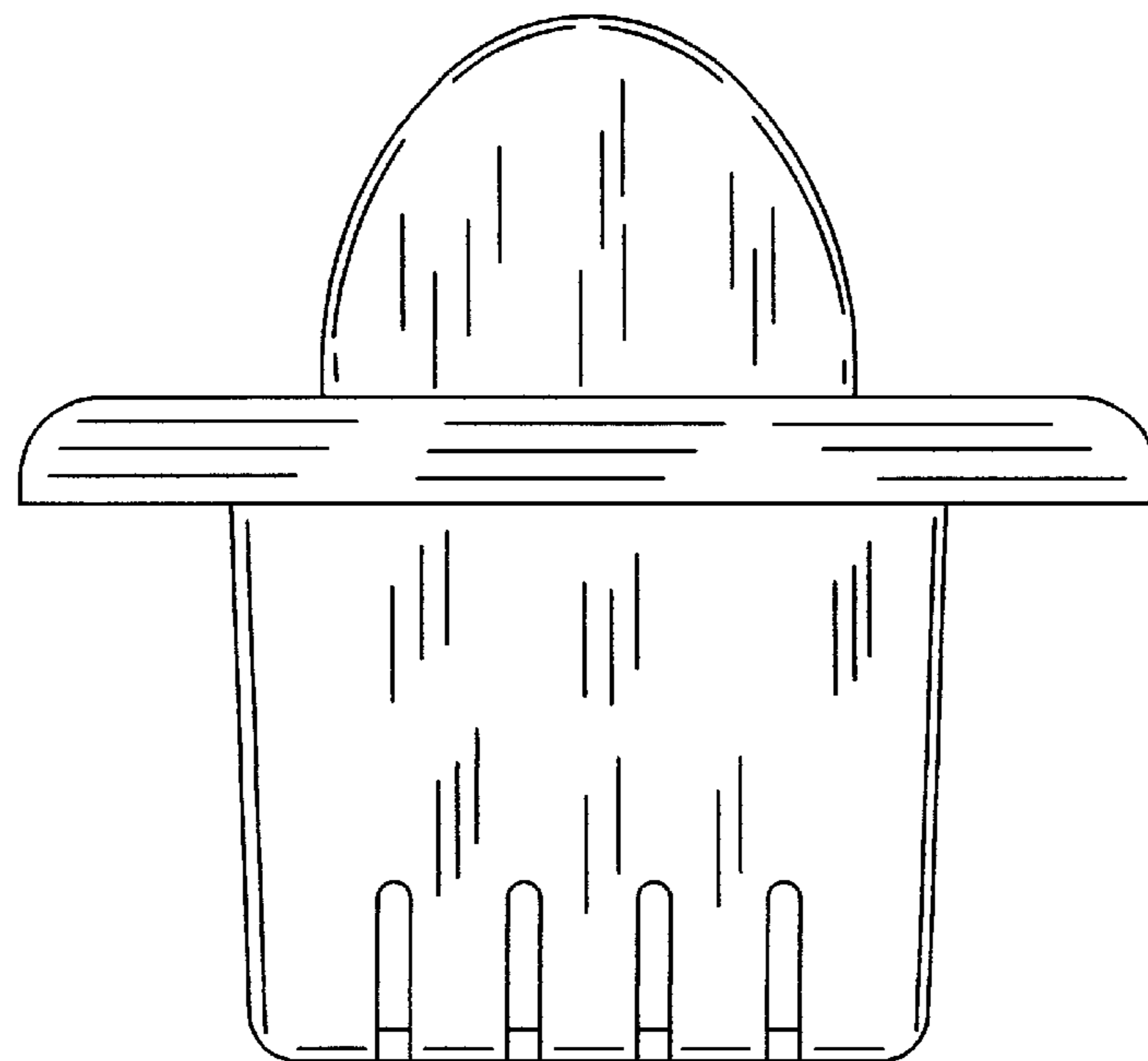


FIG.-12