



US00D455401S

(12) **United States Design Patent**  
**Goto**

(10) **Patent No.:** **US D455,401 S**

(45) **Date of Patent:** **\*\* Apr. 9, 2002**

(54) **ELECTRIC CONNECTOR**

(75) Inventor: **Teiyu Goto, Tokyo (JP)**

(73) Assignee: **Sony Computer Entertainment Inc., Tokyo (JP)**

(\*\*) Term: **14 Years**

(21) Appl. No.: **29/132,293**

(22) Filed: **Nov. 7, 2000**

(30) **Foreign Application Priority Data**

Sep. 21, 2000 (JP) ..... 2000-026372

(51) **LOC (7) Cl.** ..... **13-03**

(52) **U.S. Cl.** ..... **D13/147**

(58) **Field of Search** ..... D13/146, 147;  
439/352, 353, 357, 358, 528, 694, 844,  
854, 855

(56) **References Cited**

**U.S. PATENT DOCUMENTS**

4,367,003 A *	1/1983	Frantz	.....	439/347
4,699,438 A *	10/1987	Kikuta	.....	439/353 X
4,781,615 A *	11/1988	Davis et al.	.....	439/395
D300,739 S *	4/1989	Kikuta	.....	D13/147
4,838,808 A *	6/1989	Fujiura	.....	439/357
5,389,006 A *	2/1995	Noschese	.....	439/354
D366,242 S	1/1996	Goto	.....	D13/147

5,538,437 A *	7/1996	Bates, III et al.	.....	439/352
5,788,528 A *	8/1998	Orr, Jr. et al.	.....	439/553
5,895,289 A *	4/1999	Smith	.....	439/553
D413,574 S	9/1999	Goto	.....	D13/146
6,083,049 A *	7/2000	Kuo et al.	.....	439/610
6,174,182 B1 *	1/2001	Kuo	.....	439/358 X

\* cited by examiner

*Primary Examiner*—Joel Sincavage

(74) *Attorney, Agent, or Firm*—Rader, Fishman & Grauer, PLLC

(57) **CLAIM**

The ornamental design for an electric connector, as shown and described.

**DESCRIPTION**

FIG. 1 is a top, front and left side perspective view of an electric connector showing my new design;  
 FIG. 2 is a top, front, and right side perspective view thereof;  
 FIG. 3 is a front elevational view thereof;  
 FIG. 4 is a rear elevational view thereof;  
 FIG. 5 is a left side elevational view thereof;  
 FIG. 6 is a right side elevational view thereof;  
 FIG. 7 is a top plan view thereof; and,  
 FIG. 8 is a bottom plan view thereof.

The broken lines throughout the drawings figures are included for the purpose of illustrating environmental structure only and form no part of the claimed design.

**1 Claim, 3 Drawing Sheets**

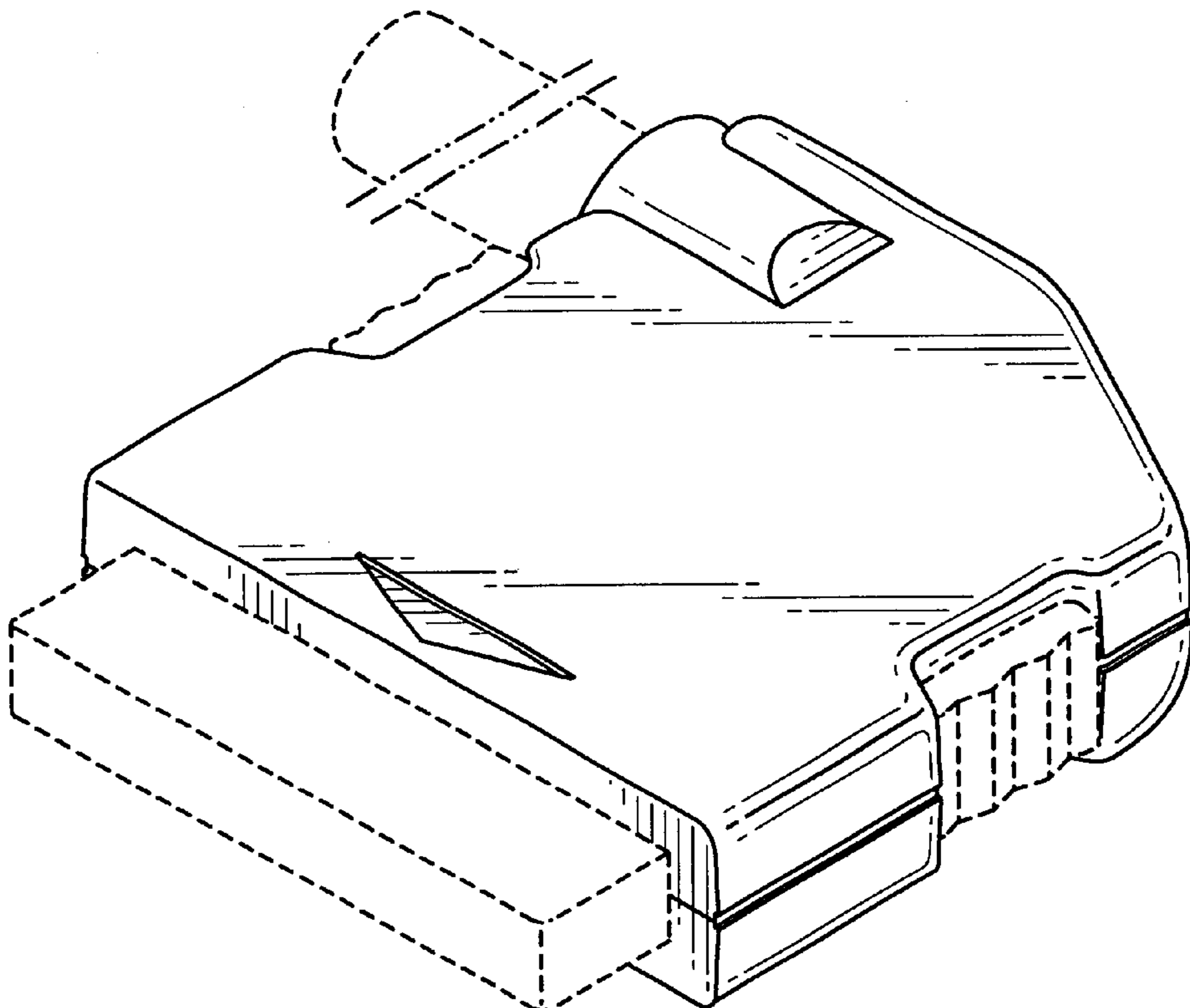


FIG. 1

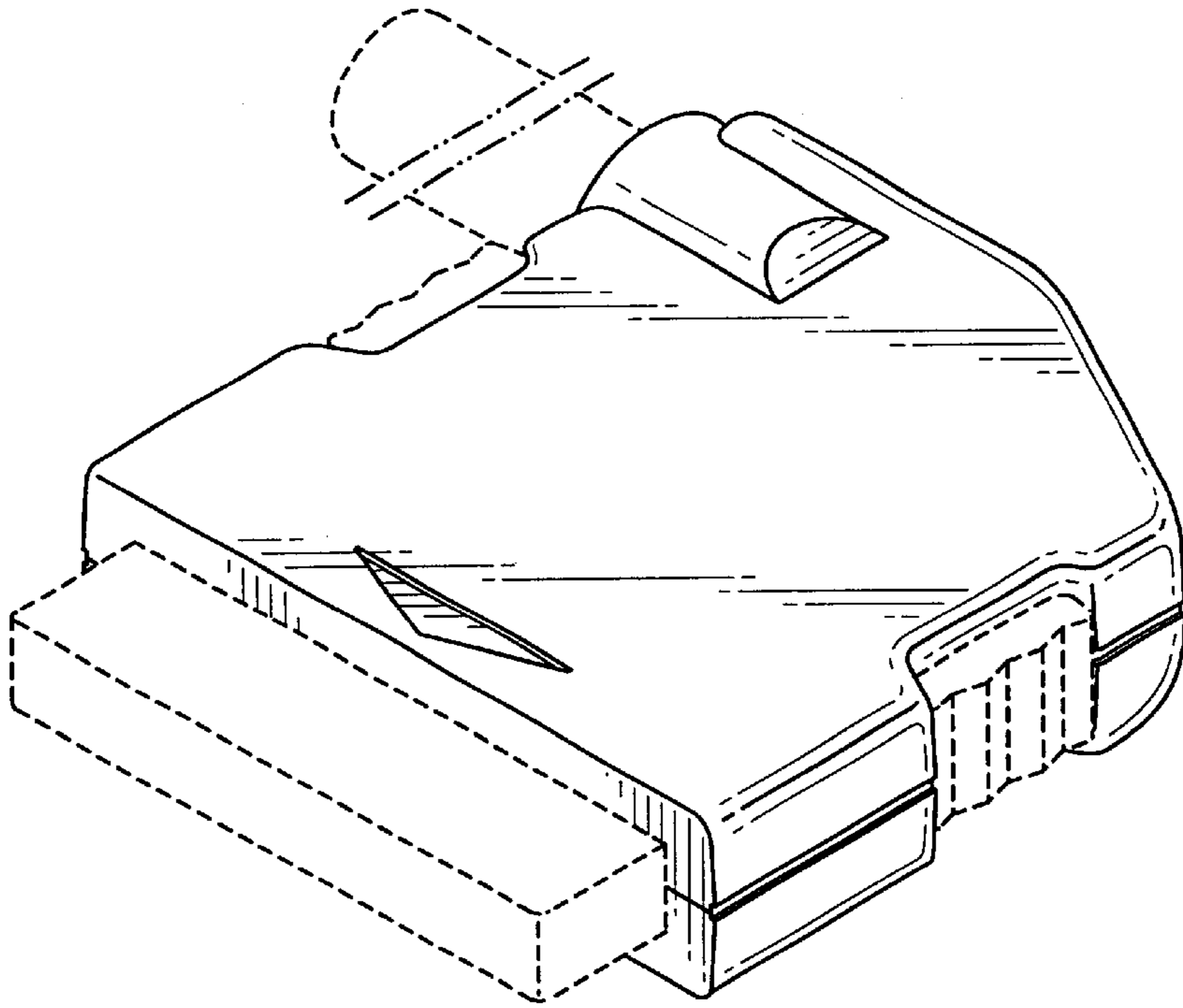


FIG. 2

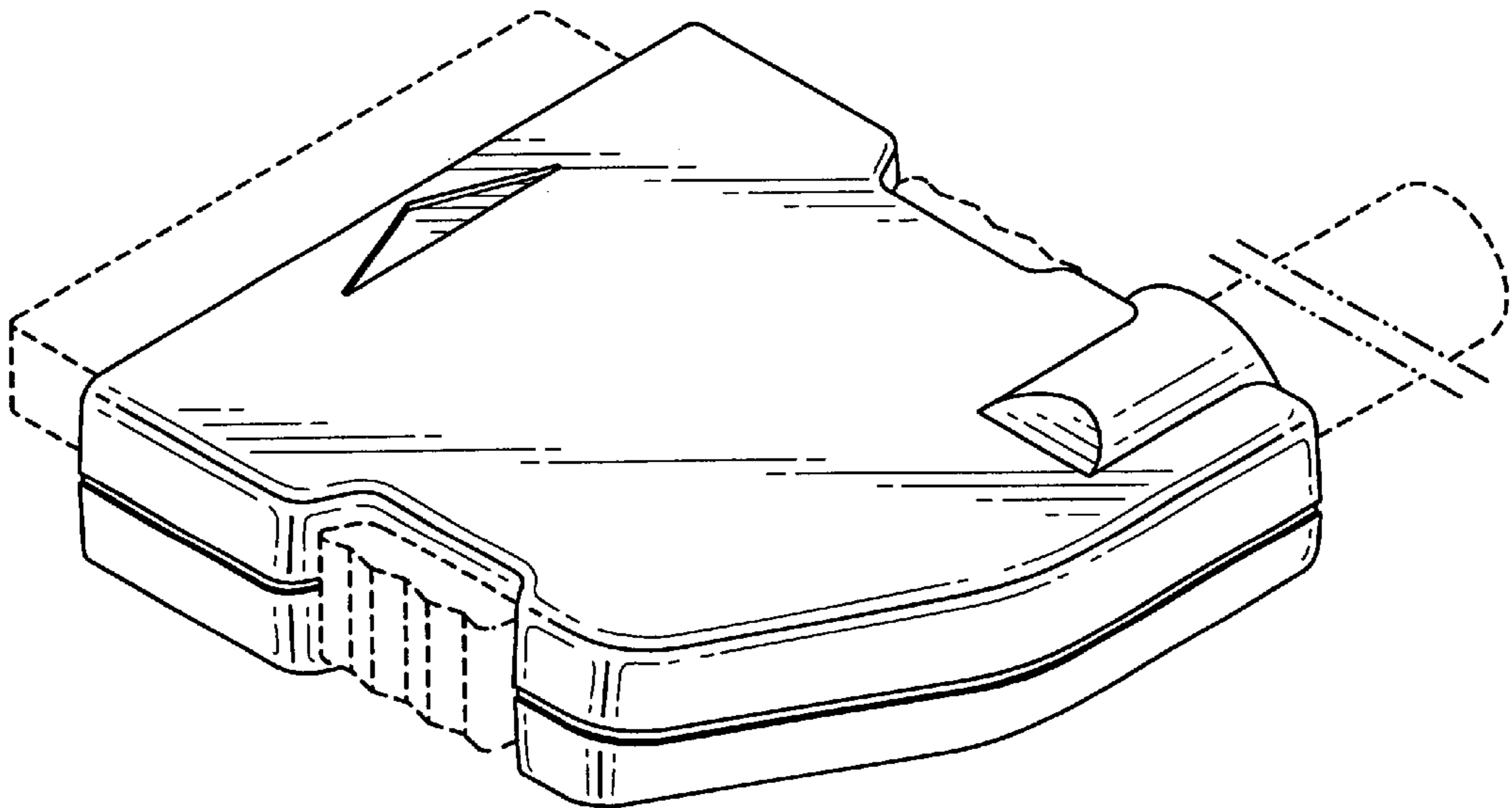


FIG. 3

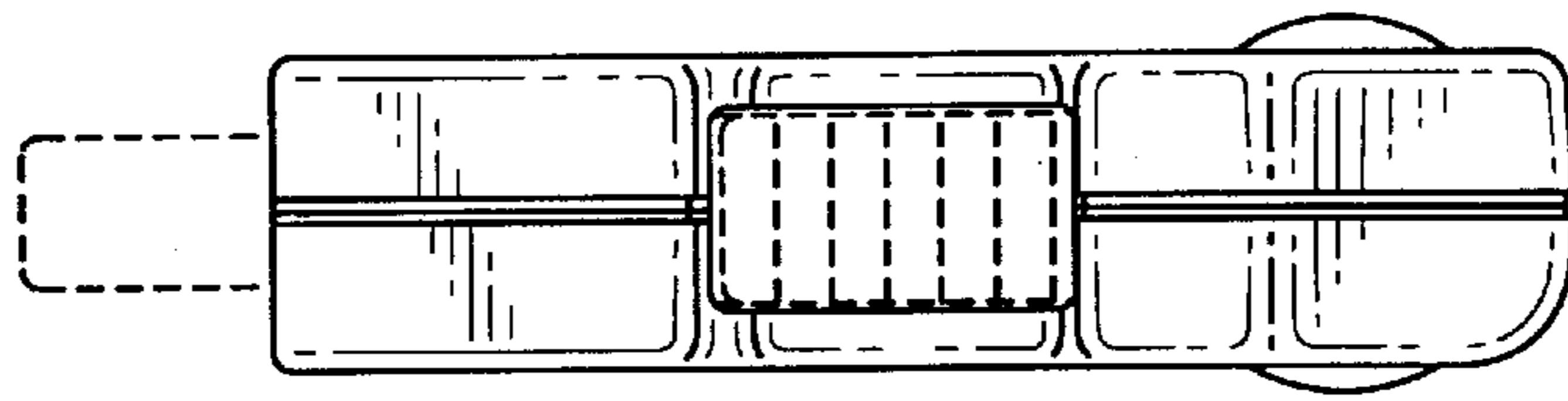


FIG. 4

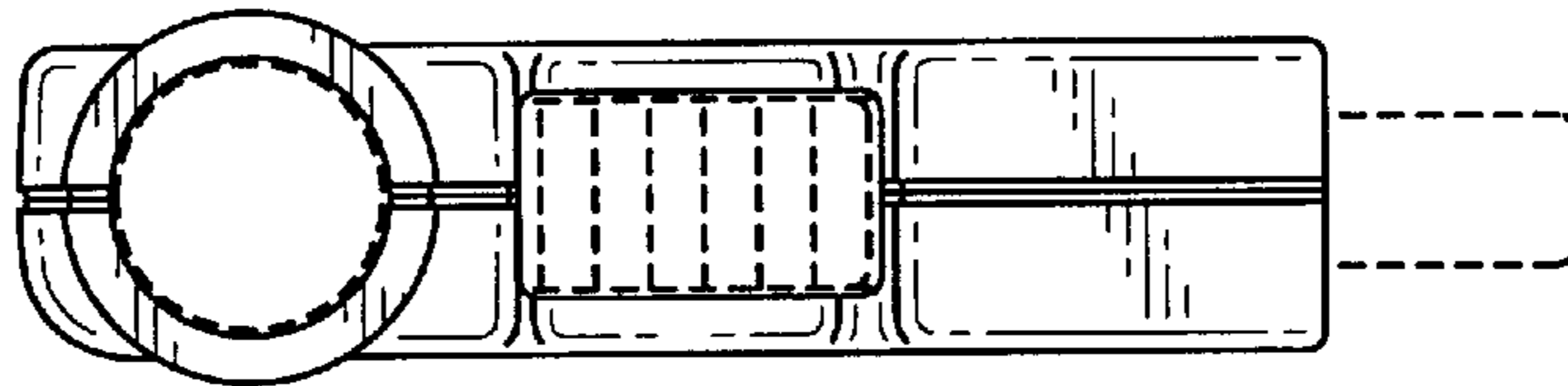


FIG. 5

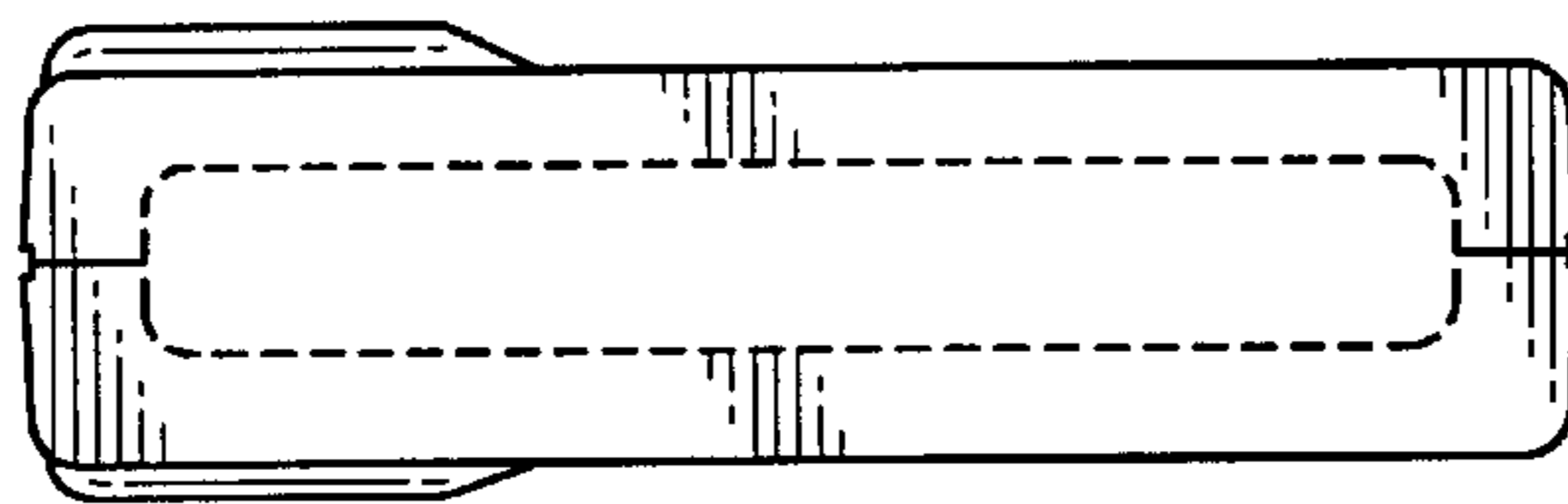


FIG. 6

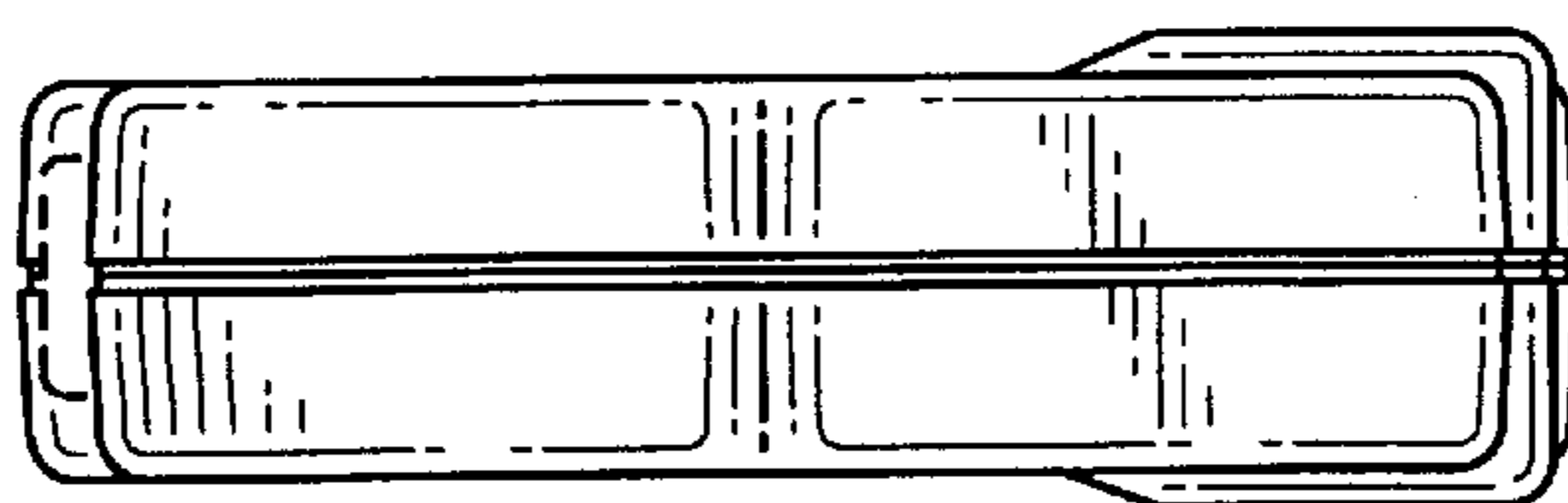


FIG. 7

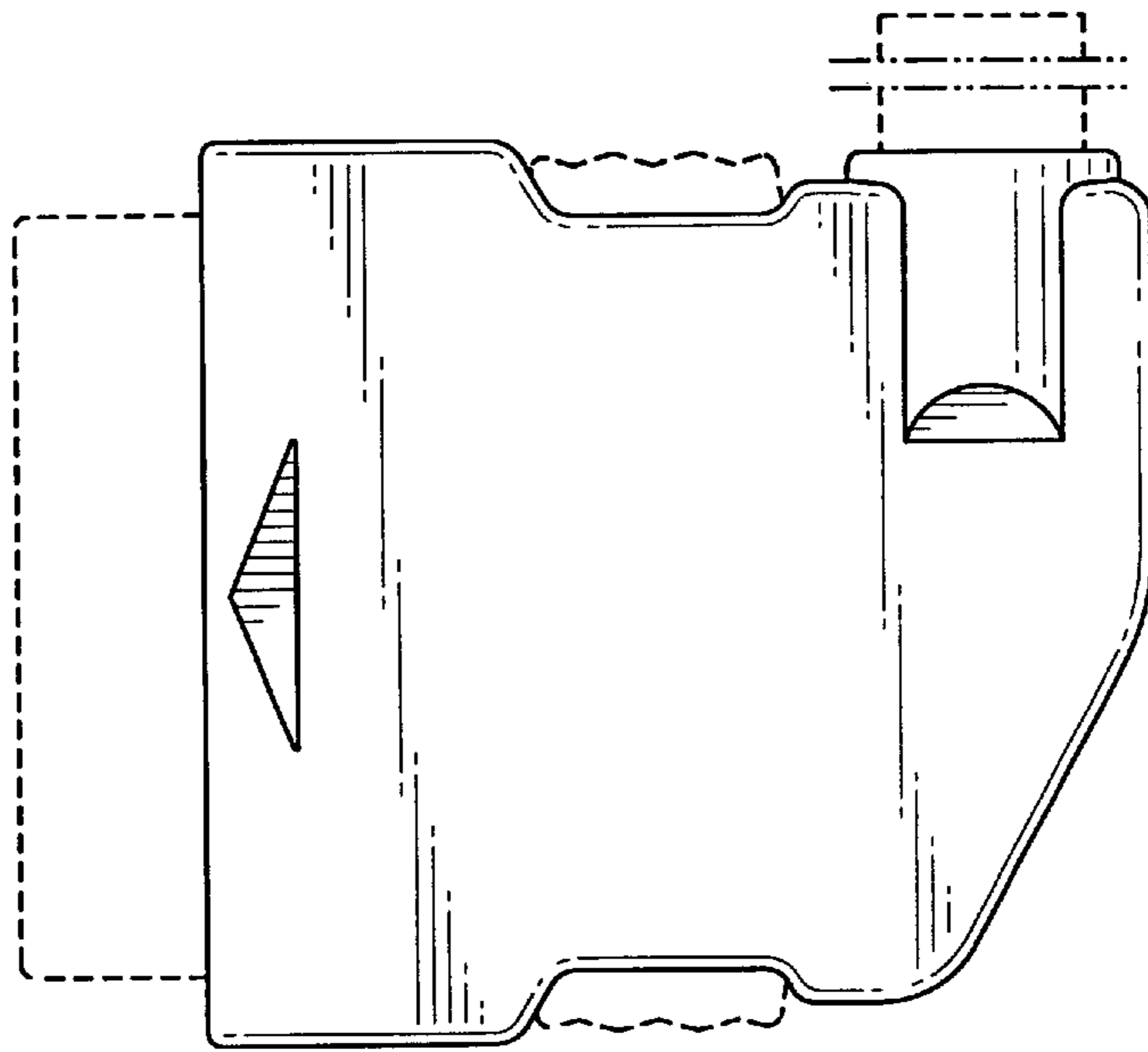


FIG. 8

