



US00D455400S

(12) **United States Design Patent**
Hisatomi et al.

(10) **Patent No.:** **US D455,400 S**

(45) **Date of Patent:** **** Apr. 9, 2002**

(54) **ELECTRICAL CONNECTOR**

(75) Inventors: **Kazukuni Hisatomi**, Chiba; **Masayuki Kikuchi**; **Kazuhito Hisamatsu**, both of Tokyo, all of (JP)

(73) Assignee: **Japan Aviation Electronics Industry, Limited**, Tokyo (JP)

(**) Term: **14 Years**

(21) Appl. No.: **29/126,796**

(22) Filed: **Jul. 24, 2000**

(30) **Foreign Application Priority Data**

Jan. 28, 2000 (JP) 2000-007322

(51) **LOC (7) Cl.** **13-03**

(52) **U.S. Cl.** **D13/147**

(58) **Field of Search** D13/147; 439/79, 439/108, 495, 499, 607

(56) **References Cited**

U.S. PATENT DOCUMENTS

- D371,542 S * 7/1996 Takayasu D13/147
- D380,735 S * 7/1997 Mitani et al. D13/147
- 5,800,204 A * 9/1998 Niitsu 439/495
- 6,083,046 A * 7/2000 Wu et al. 439/607

- D434,386 S * 11/2000 Wu D13/147
- D442,917 S * 5/2001 Wu D13/147
- 6,231,378 B1 * 5/2001 Wu et al. 439/495
- 6,238,238 B1 * 5/2001 Hwang et al. 439/495
- 6,267,623 B1 * 7/2001 Hisamatsu 439/607

* cited by examiner

Primary Examiner—Joel Sincavage

(74) *Attorney, Agent, or Firm*—Michael Best & Friedrich LLC; Laff, Whitesel & Saret, Ltd.; J. Warren Whitesel

(57) **CLAIM**

The ornamental design for an electrical connector, as shown and described.

DESCRIPTION

FIG. 1 is a top elevational view of an electrical connector; FIG. 2 is a front elevational view thereof; FIG. 3 is a right side elevational view thereof; FIG. 4 is a rear elevational view thereof; FIG. 5 is a bottom plan view thereof; and, FIG. 6 is a perspective view of the front and right side thereof.

A left side elevational view of the electrical connector is omitted because it is presented symmetrical to the right side elevational view of FIG. 3.

1 Claim, 2 Drawing Sheets

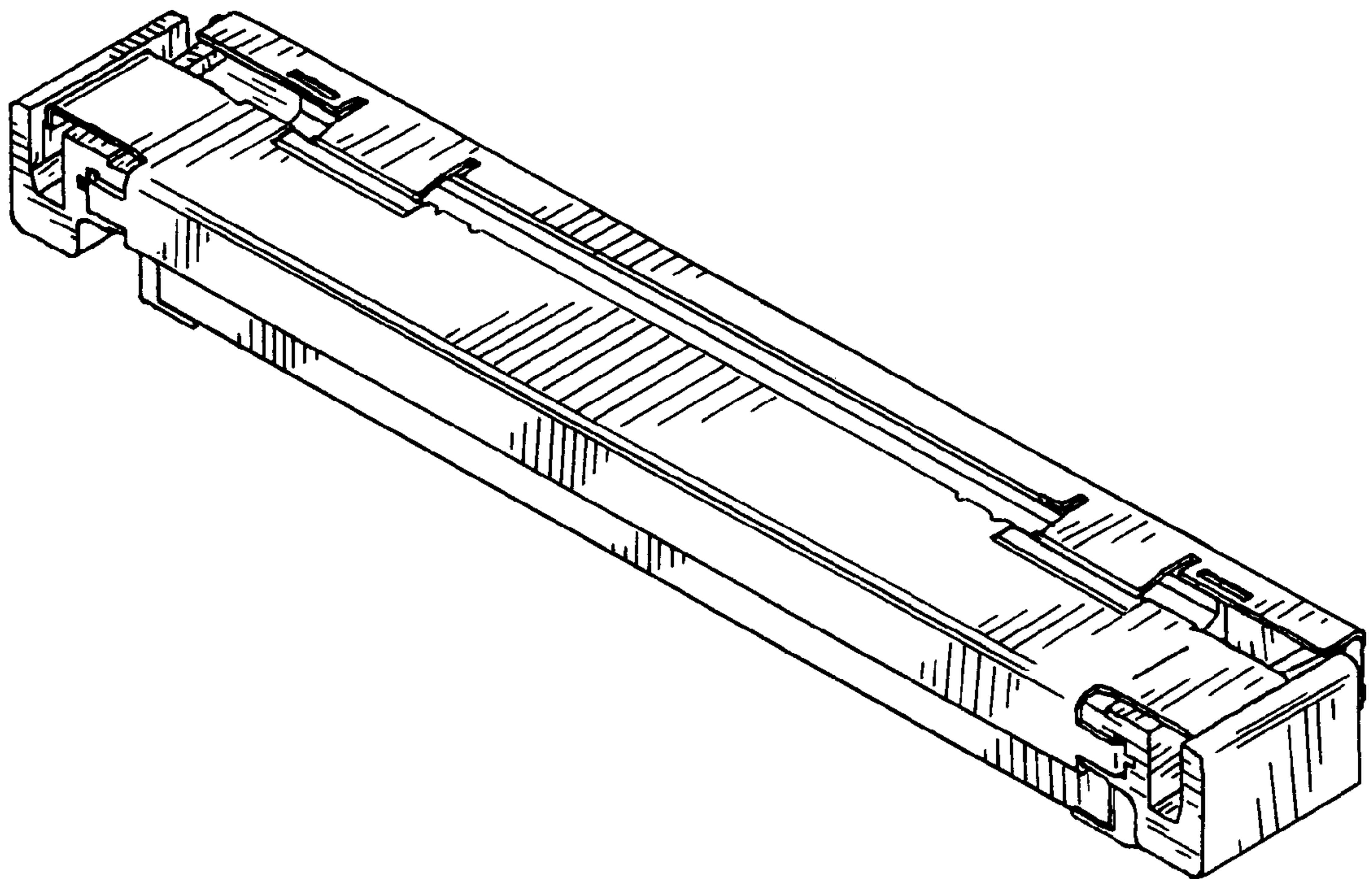


FIG. 1

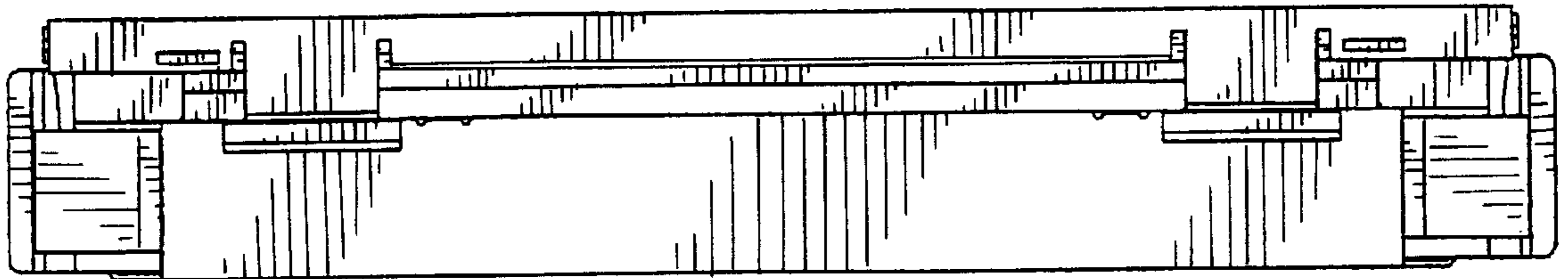


FIG. 2

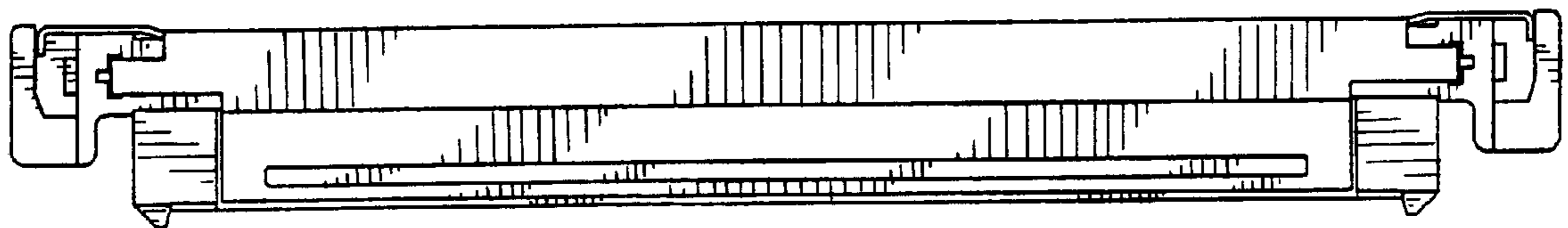


FIG. 3

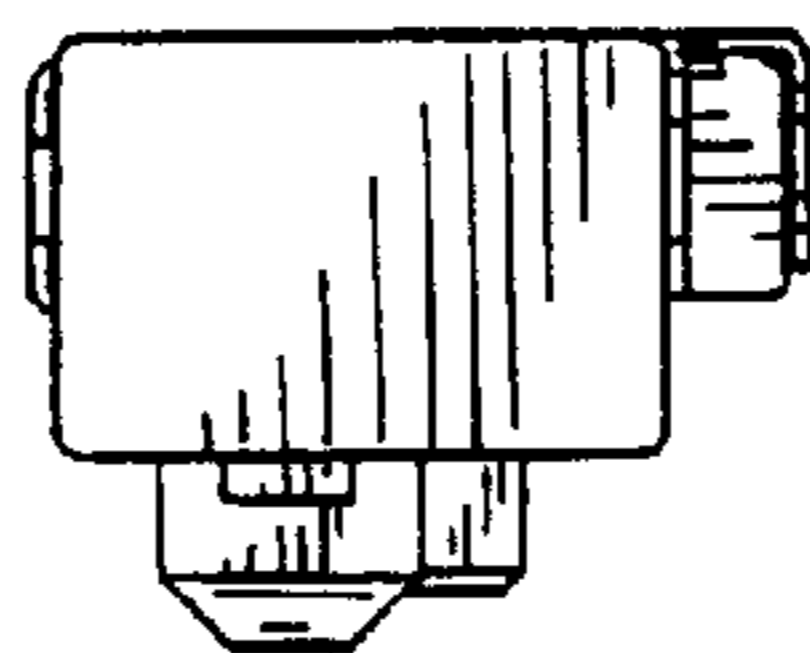


FIG. 4

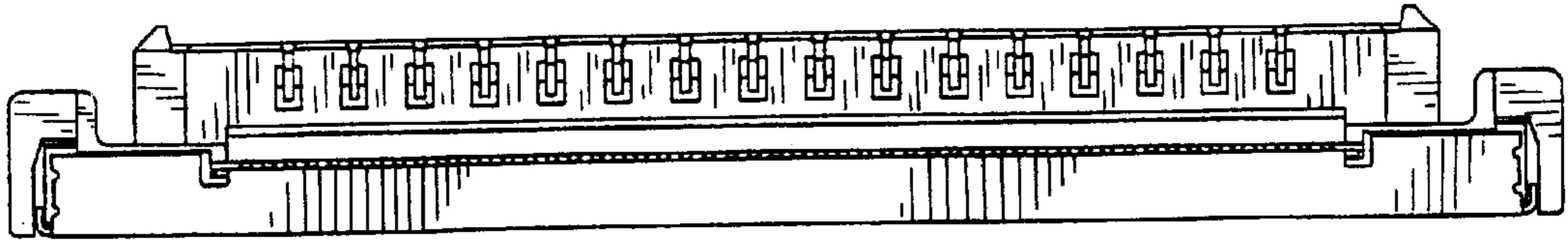


FIG. 5

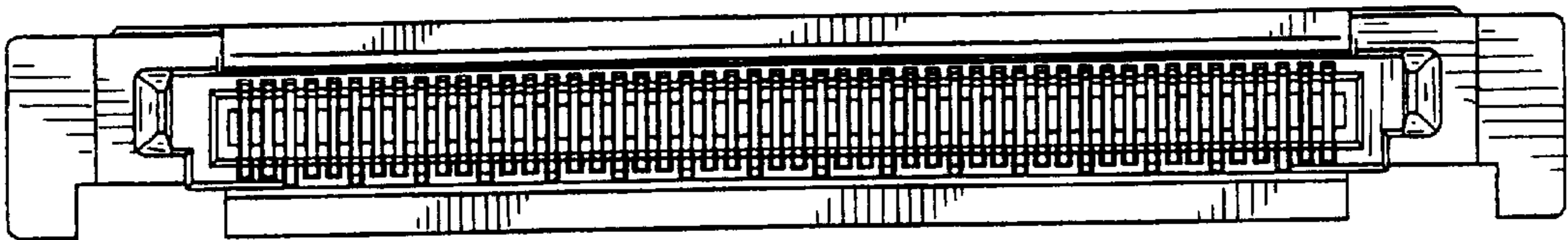


FIG. 6

