



US00D455376S

(12) **United States Design Patent**
Lindenkamp

(10) **Patent No.:** **US D455,376 S**

(45) **Date of Patent:** **** Apr. 9, 2002**

(54) **WHEELCHAIR**

D427,949 S * 7/2000 Schlangen D12/131
D431,502 S * 10/2000 Schlangen D12/131

(75) Inventor: **Horst Lindenkamp**, Oeynhausen (DE)

* cited by examiner

(73) Assignee: **Invacare Corporation**

Primary Examiner—Kay H. Chin

(**) Term: **14 Years**

(74) *Attorney, Agent, or Firm*—Hudak & Shunk Co, L.P.A.

(21) Appl. No.: **29/116,599**

(22) Filed: **Jan. 6, 2000**

(30) **Foreign Application Priority Data**

Jul. 9, 1999 (DE) 4 99 06 520

(51) **LOC (7) Cl.** **12-12**

(52) **U.S. Cl.** **D12/131**

(58) **Field of Search** D12/128-133;
280/250.1, 304.1; 297/DIG. 4

(56) **References Cited**

U.S. PATENT DOCUMENTS

D339,315 S * 9/1993 Lindkvist et al. D12/131

(57) **CLAIM**

I claim the ornamental design for a wheelchair, as shown.

DESCRIPTION

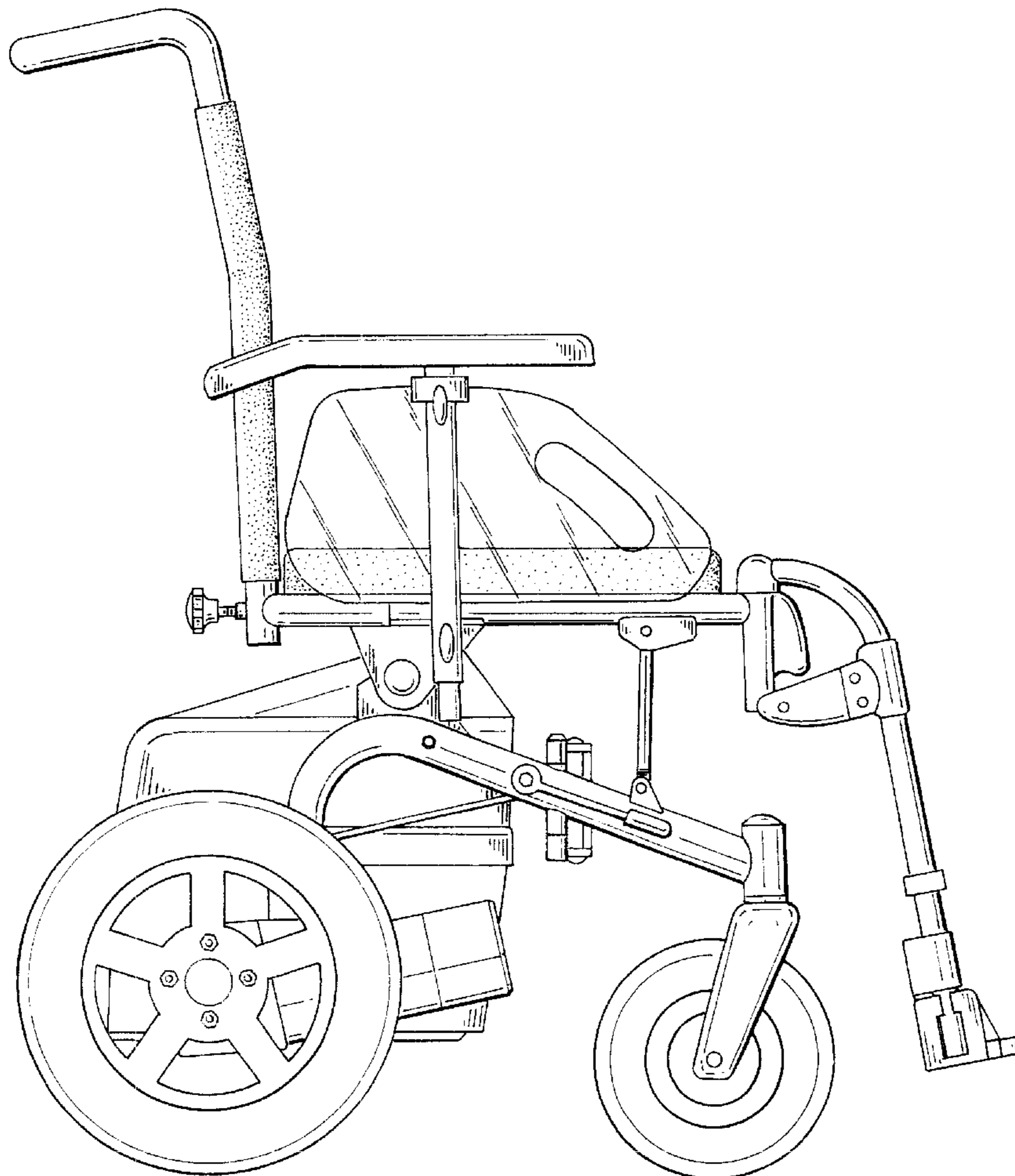
FIG. 1 is a side elevational view of a new design for a wheelchair, the opposite side being a mirror image thereof;

FIG. 2 is a front elevational view;

FIG. 3 is a top view taken with respect to FIG. 2; and,

FIG. 4 is a rear elevational view.

1 Claim, 4 Drawing Sheets



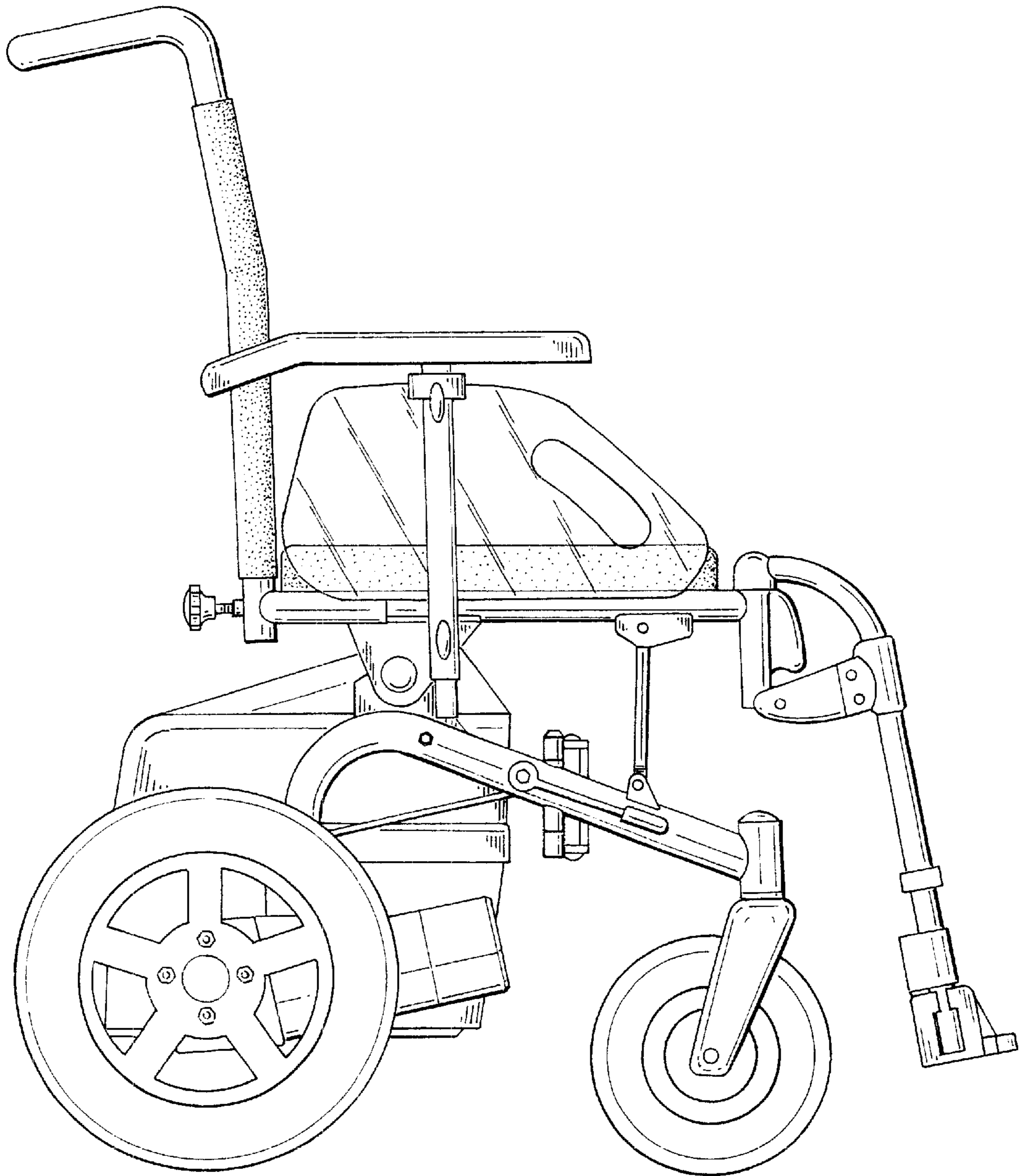


FIG.-1

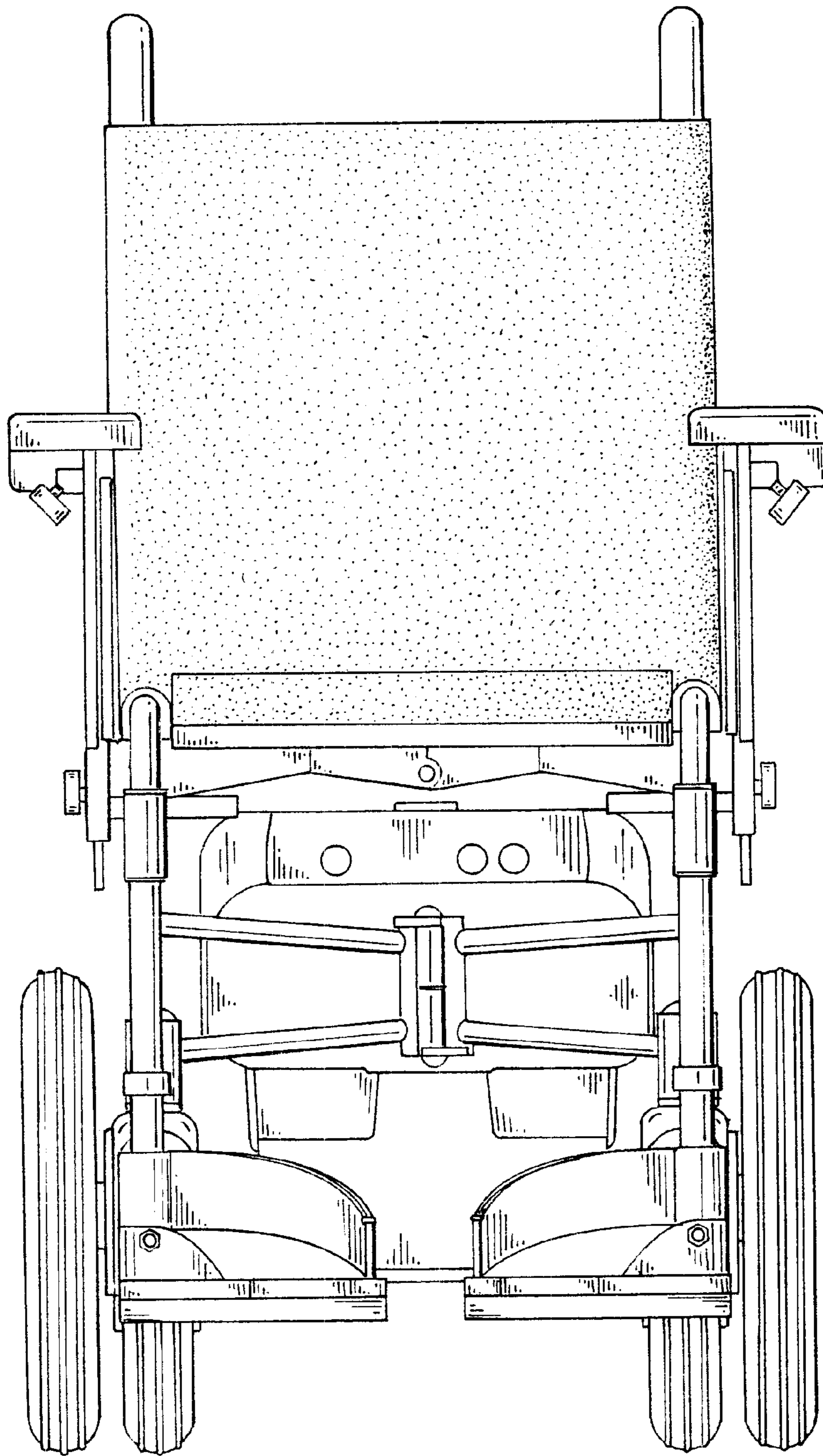


FIG.-2

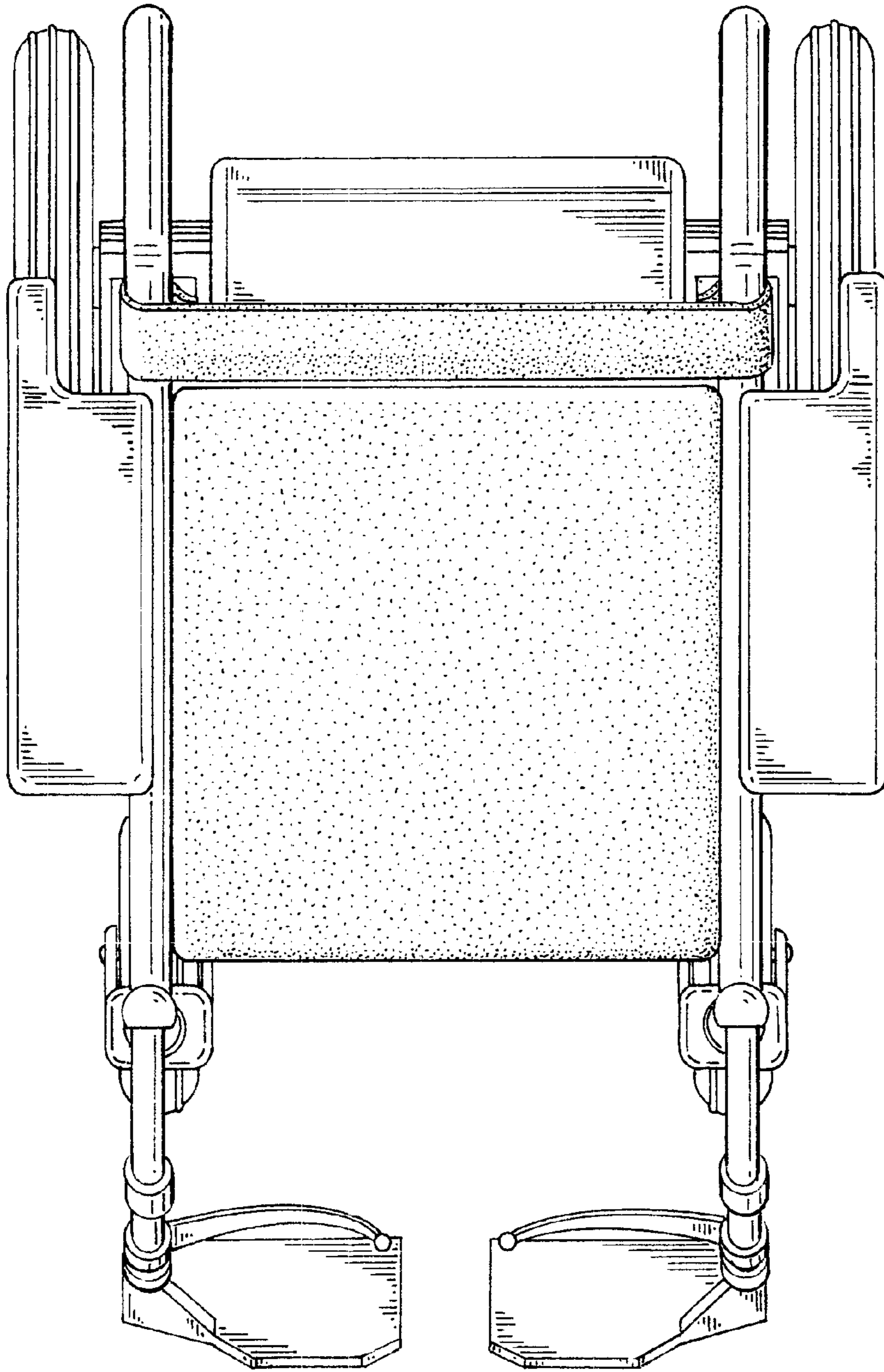


FIG. - 3

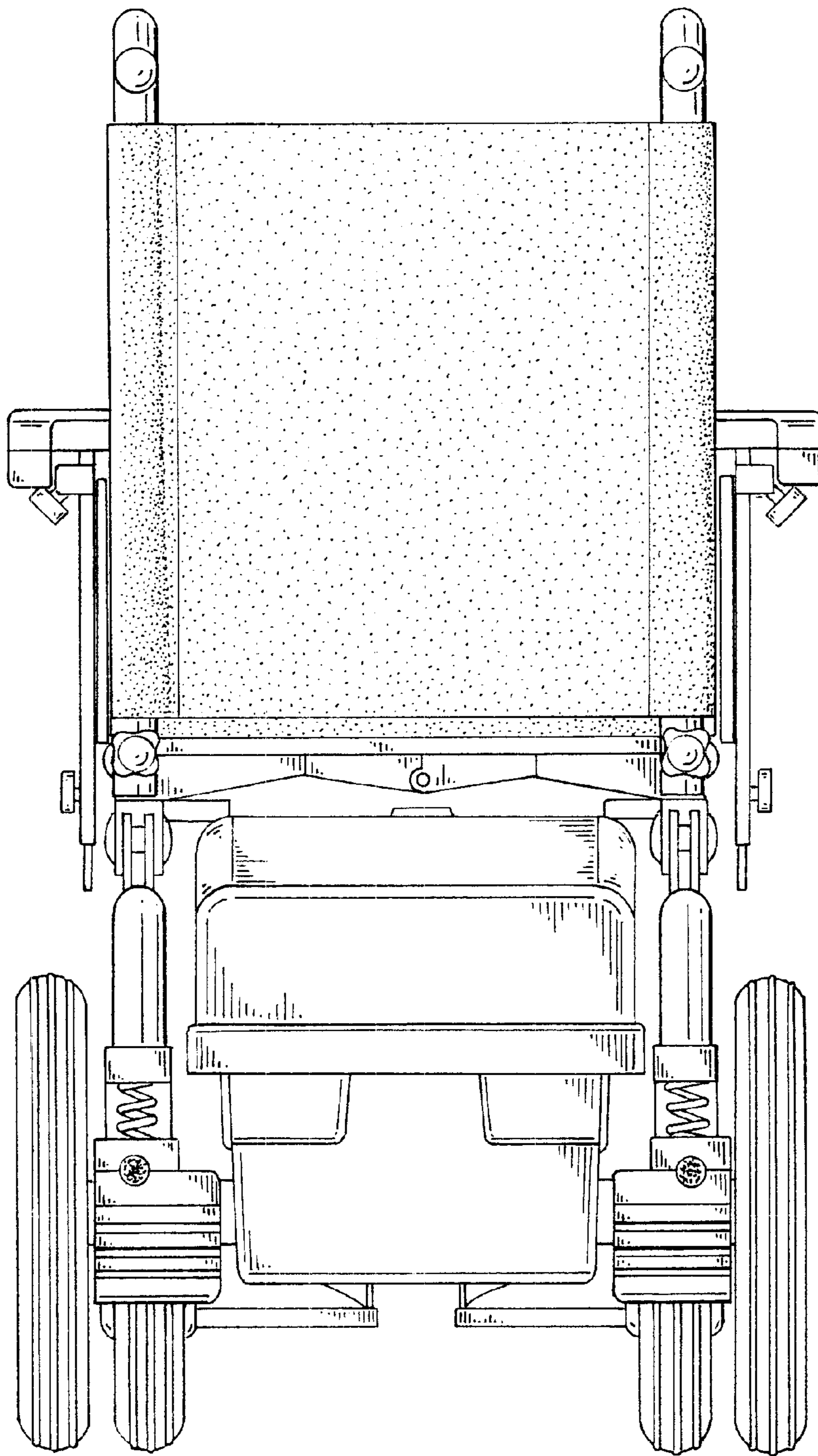


FIG. - 4