



US00D455373S

(12) **United States Design Patent**
Robb et al.

(10) **Patent No.:** **US D455,373 S**
(45) **Date of Patent:** **** Apr. 9, 2002**

(54) **SURFACE CONFIGURATION OF A MOTORCYCLE AND TOY**

(75) Inventors: **David Irwin Robb; Johann Michael Sebastian Wilm**, both of Munich (DE)

(73) Assignee: **Bayerische Motoren Werke Aktiengesellschaft**, Munich (DE)

(**) Term: **14 Years**

(21) Appl. No.: **29/145,191**

(22) Filed: **Jul. 18, 2001**

(30) **Foreign Application Priority Data**

Jan. 18, 2001 (DE) 401 00 549

(51) **LOC (7) Cl.** **12-11**

(52) **U.S. Cl.** **D12/110; D21/432; D21/538**

(58) **Field of Search** **D12/110; 180/219; 280/827, 828; D21/432, 538; 446/440**

(56) **References Cited**

U.S. PATENT DOCUMENTS

D392,600 S * 3/1998 Robb et al. D12/110
D422,244 S * 4/2000 Heinrich et al. D12/110

* cited by examiner

Primary Examiner—Alan P. Douglas

Assistant Examiner—Linda Brooks

(74) *Attorney, Agent, or Firm*—Crowell & Moring LLP

(57) **CLAIM**

The ornamental design for a surface configuration of a motorcycle and toy, as shown and described.

DESCRIPTION

FIG. 1 is a left, front perspective view of a surface configuration of a motorcycle and toy according to our novel design; FIG. 2 is a right, front perspective view of the surface configuration of a motorcycle and toy according to our novel design;

FIG. 3 is a left side view of the surface configuration of a motorcycle and toy according to our novel design;

FIG. 4 is a right side view of the surface configuration of a motorcycle and toy according to our novel design;

FIG. 5 is a left, rear perspective view of the surface configuration of a motorcycle and toy according to our novel design;

FIG. 6 is a right, rear perspective view of the surface configuration of a motorcycle and toy according to our novel design;

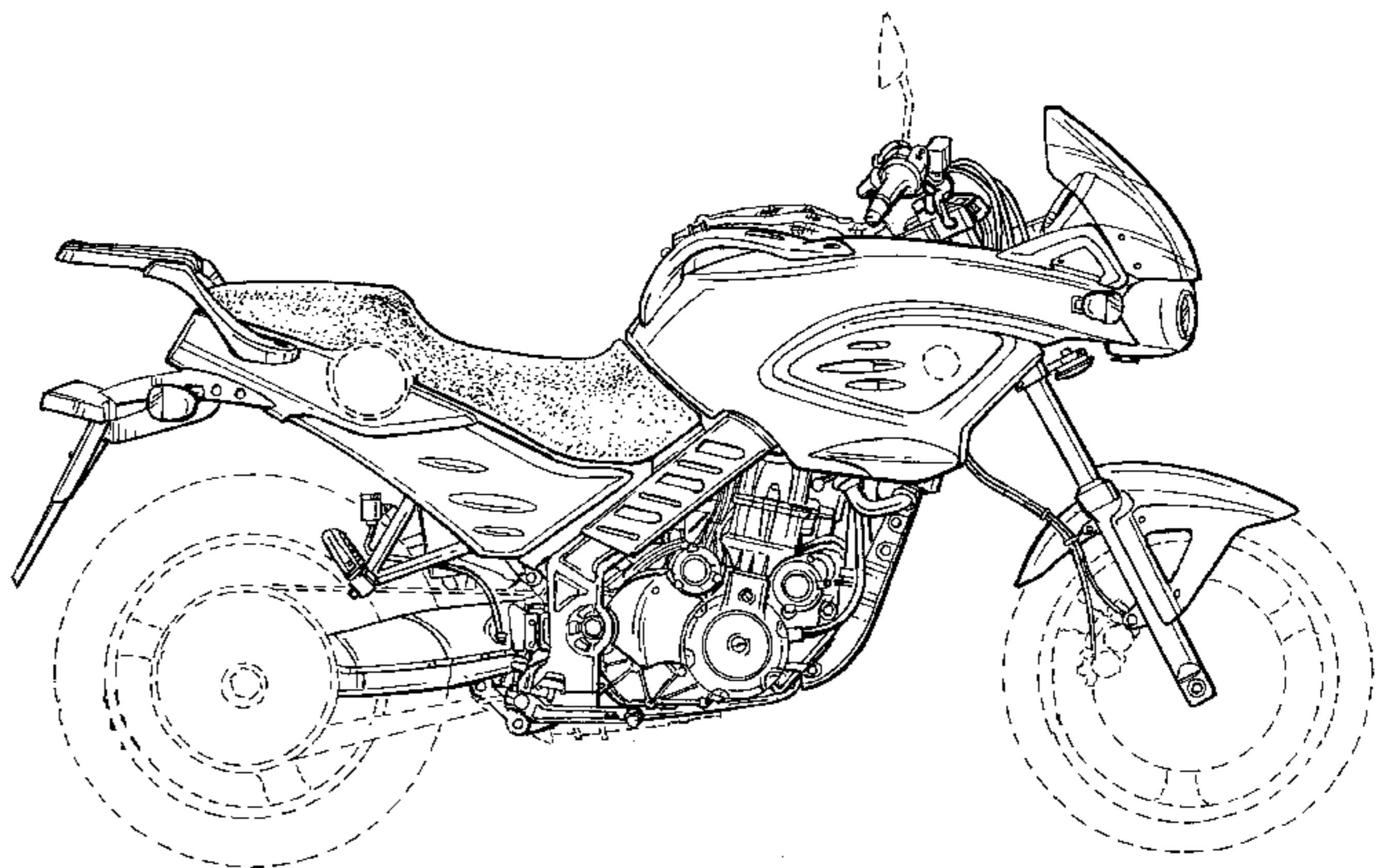
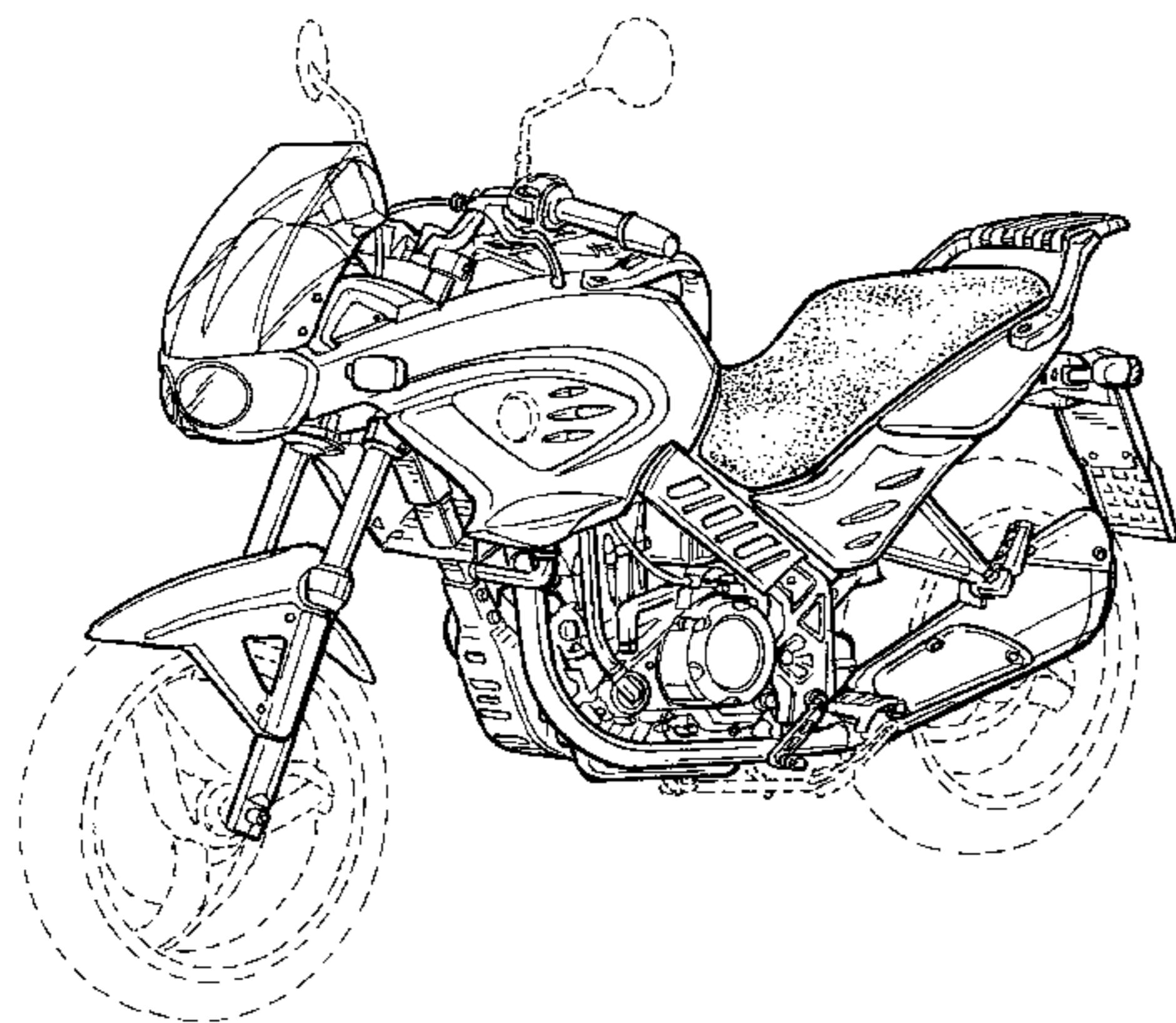
FIG. 7 is a front view of the surface configuration of a motorcycle and toy according to our novel design;

FIG. 8 is a rear view of the surface configuration of a motorcycle and toy according to our novel design; and,

FIG. 9 is a top view of the surface configuration of a motorcycle and toy according to our novel design.

The dash lines included depict environment and are not part of the claimed design.

1 Claim, 6 Drawing Sheets



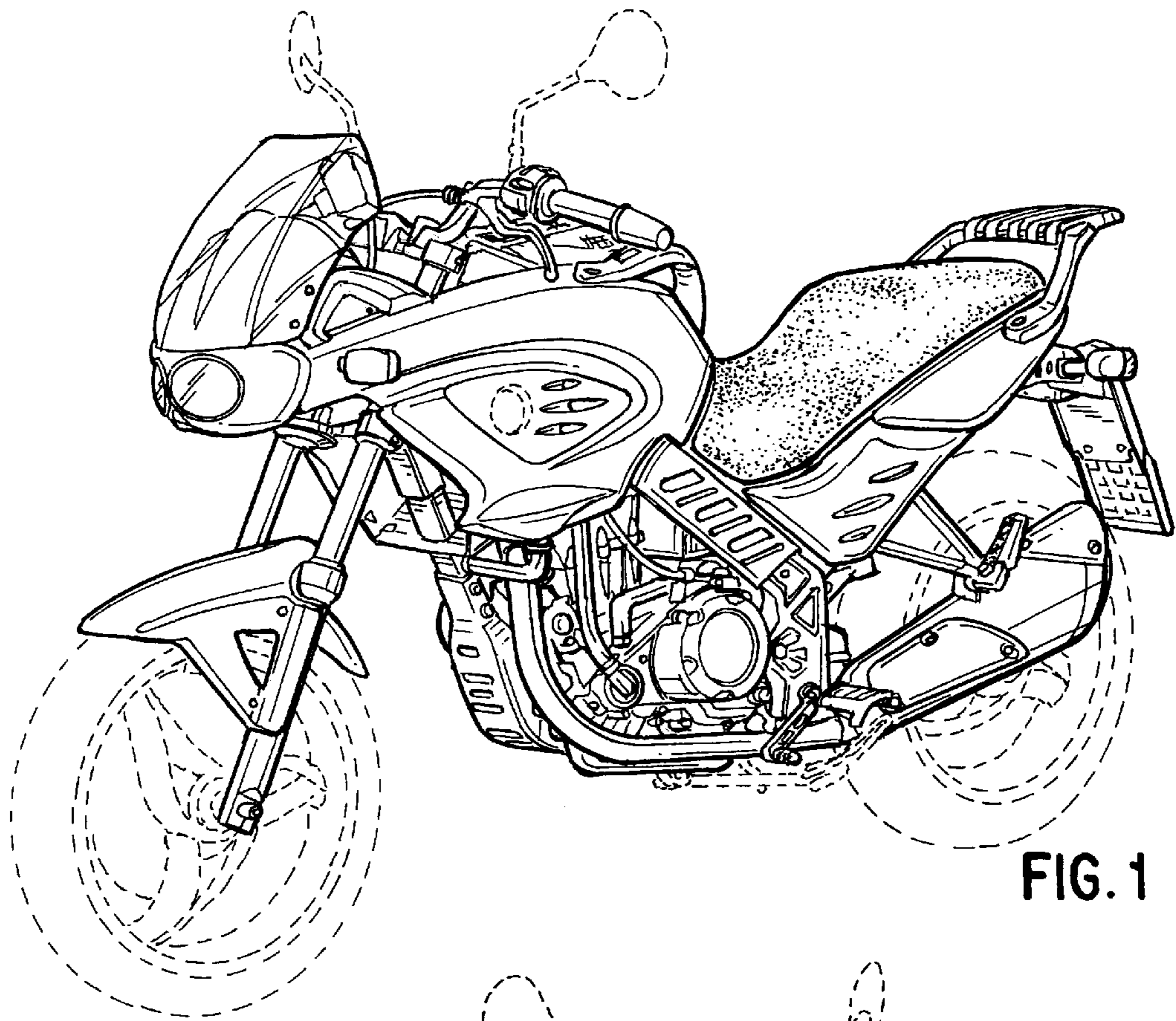


FIG. 1

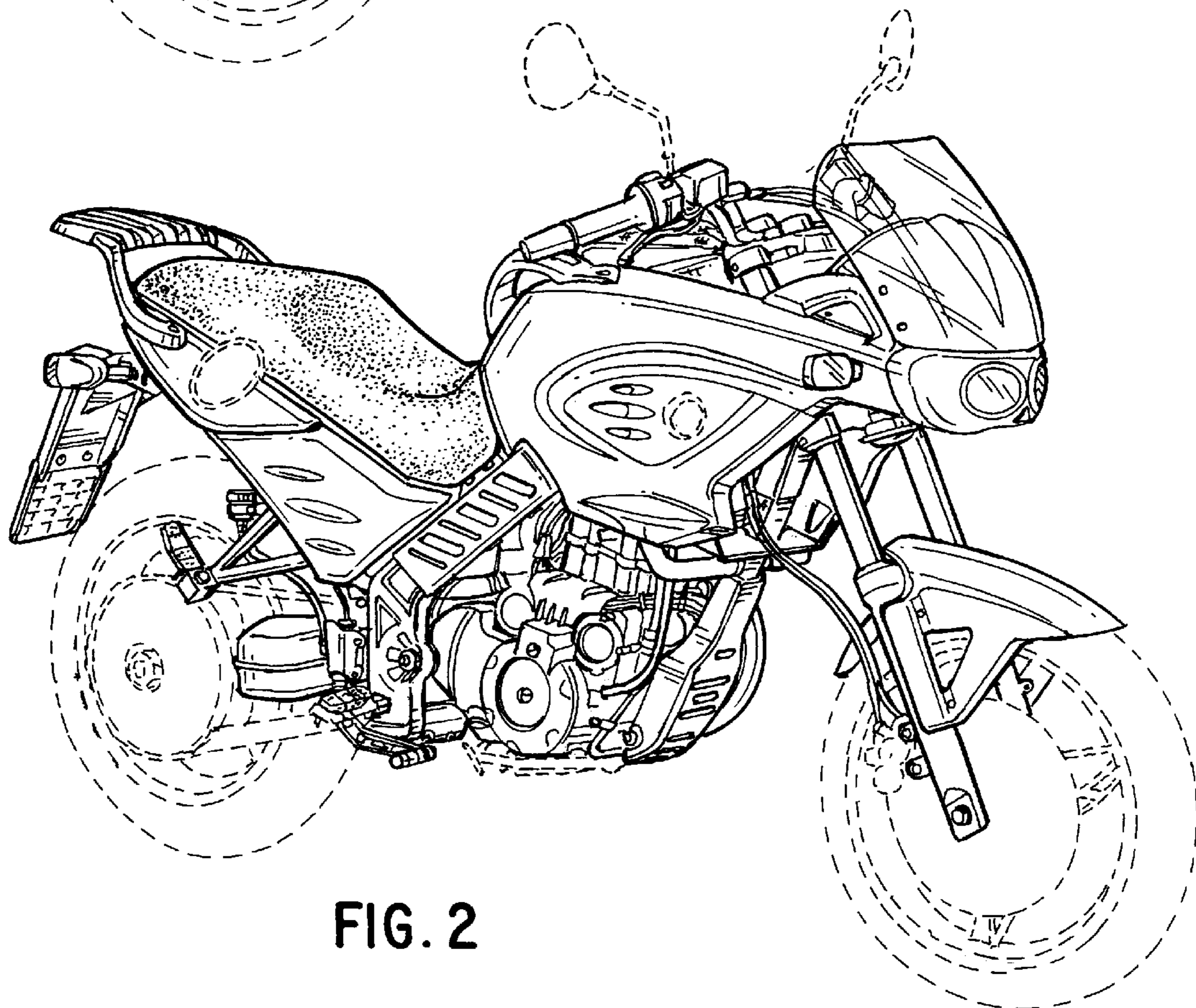


FIG. 2

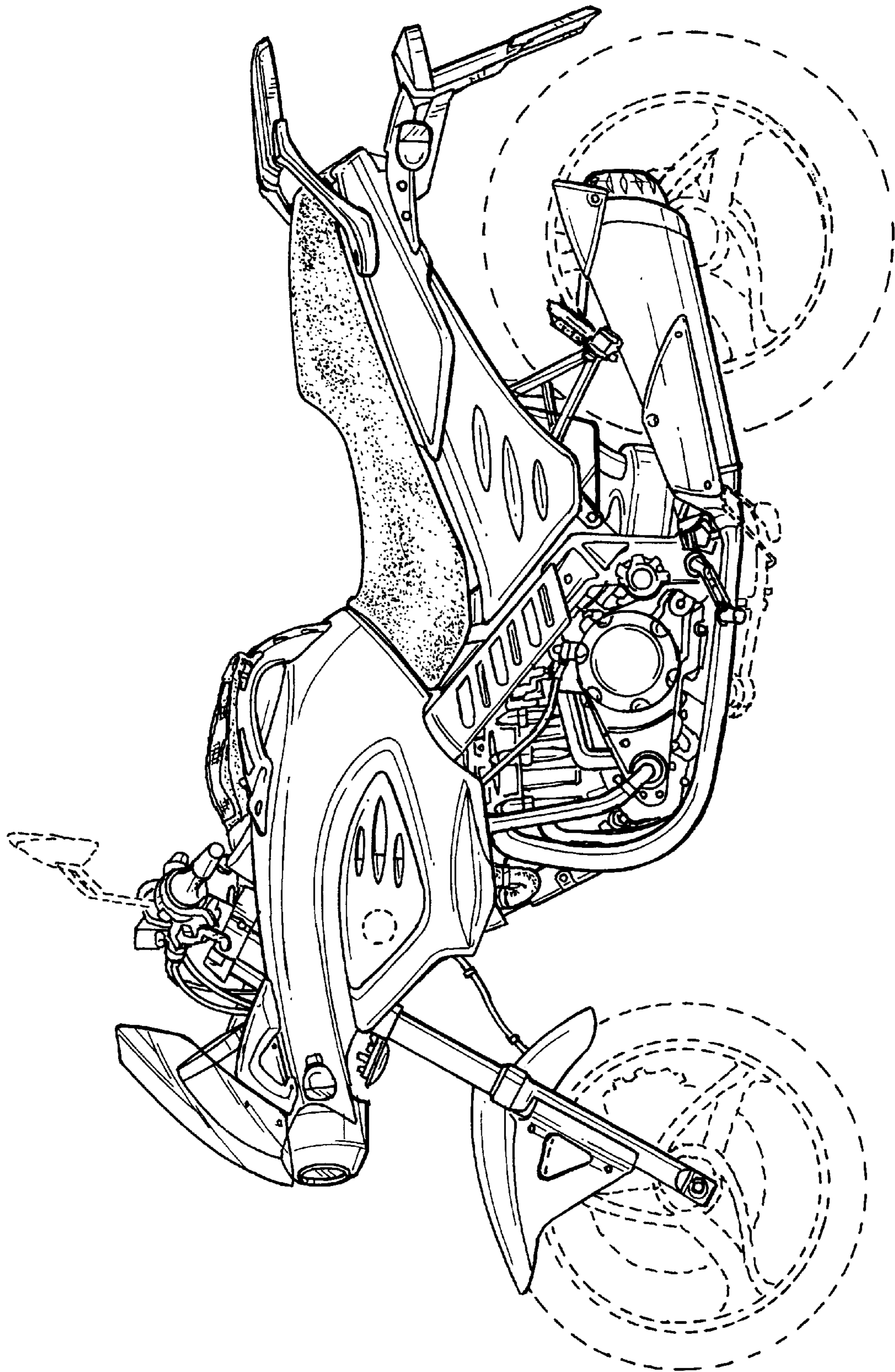


FIG. 3

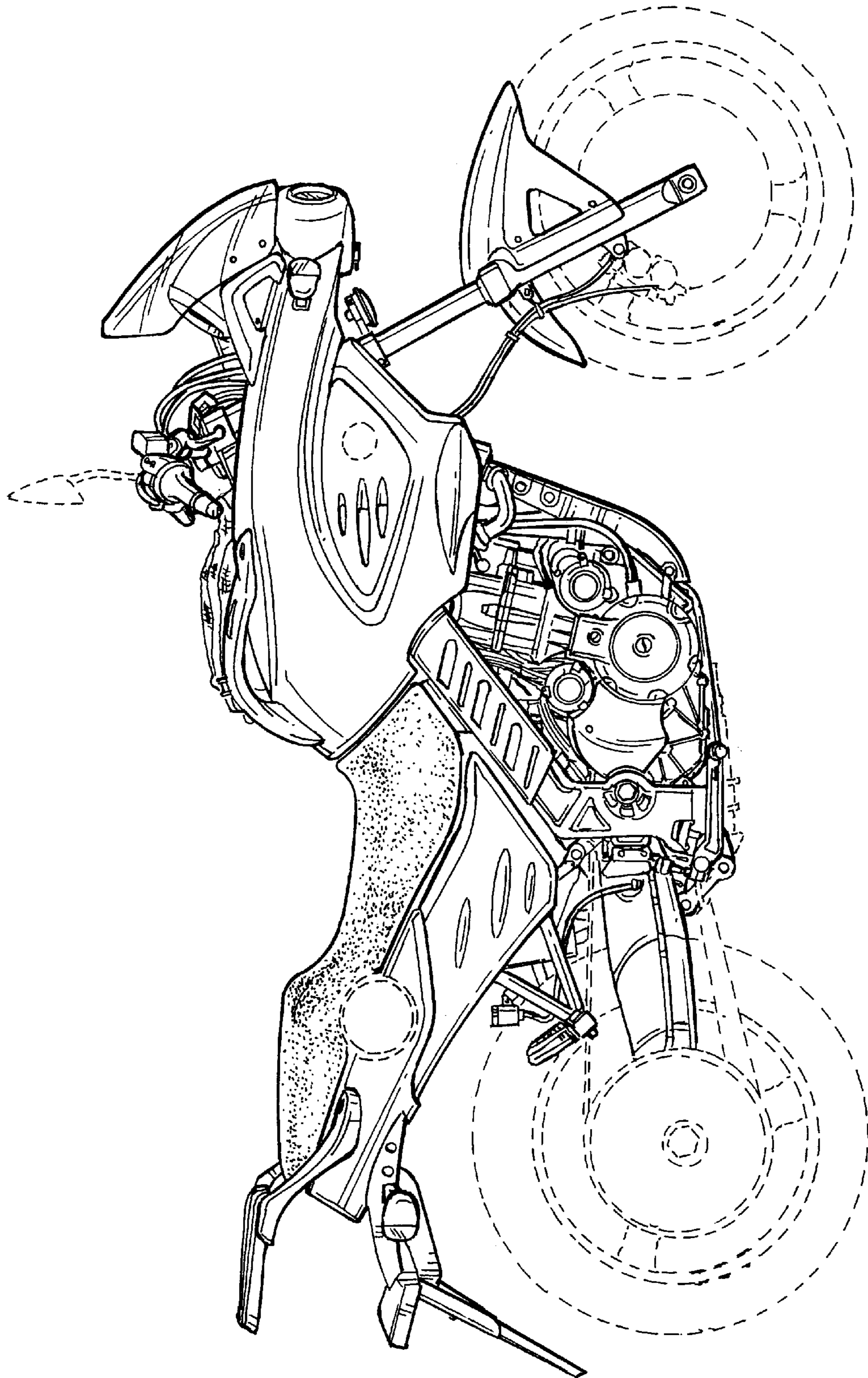


FIG. 4

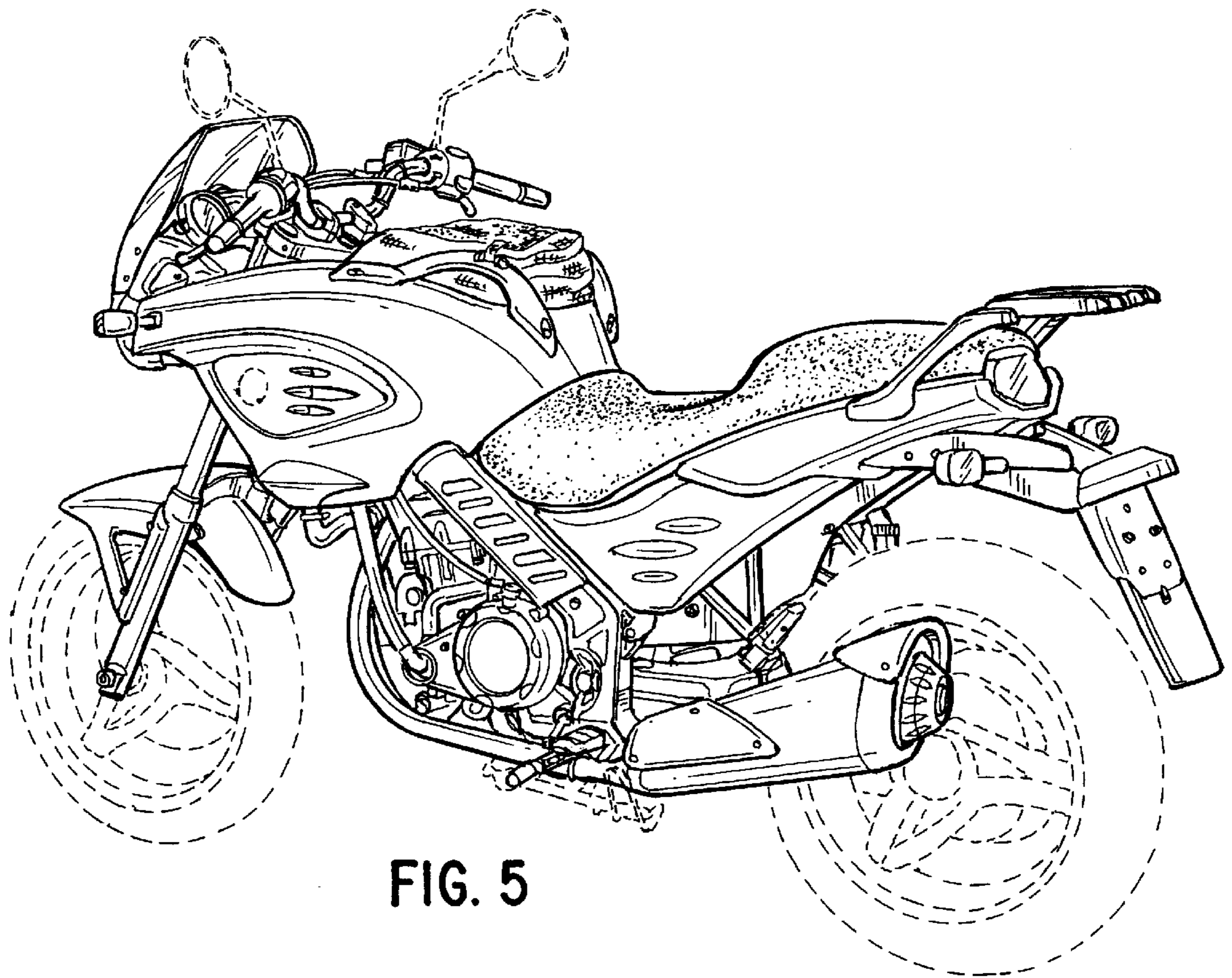


FIG. 5

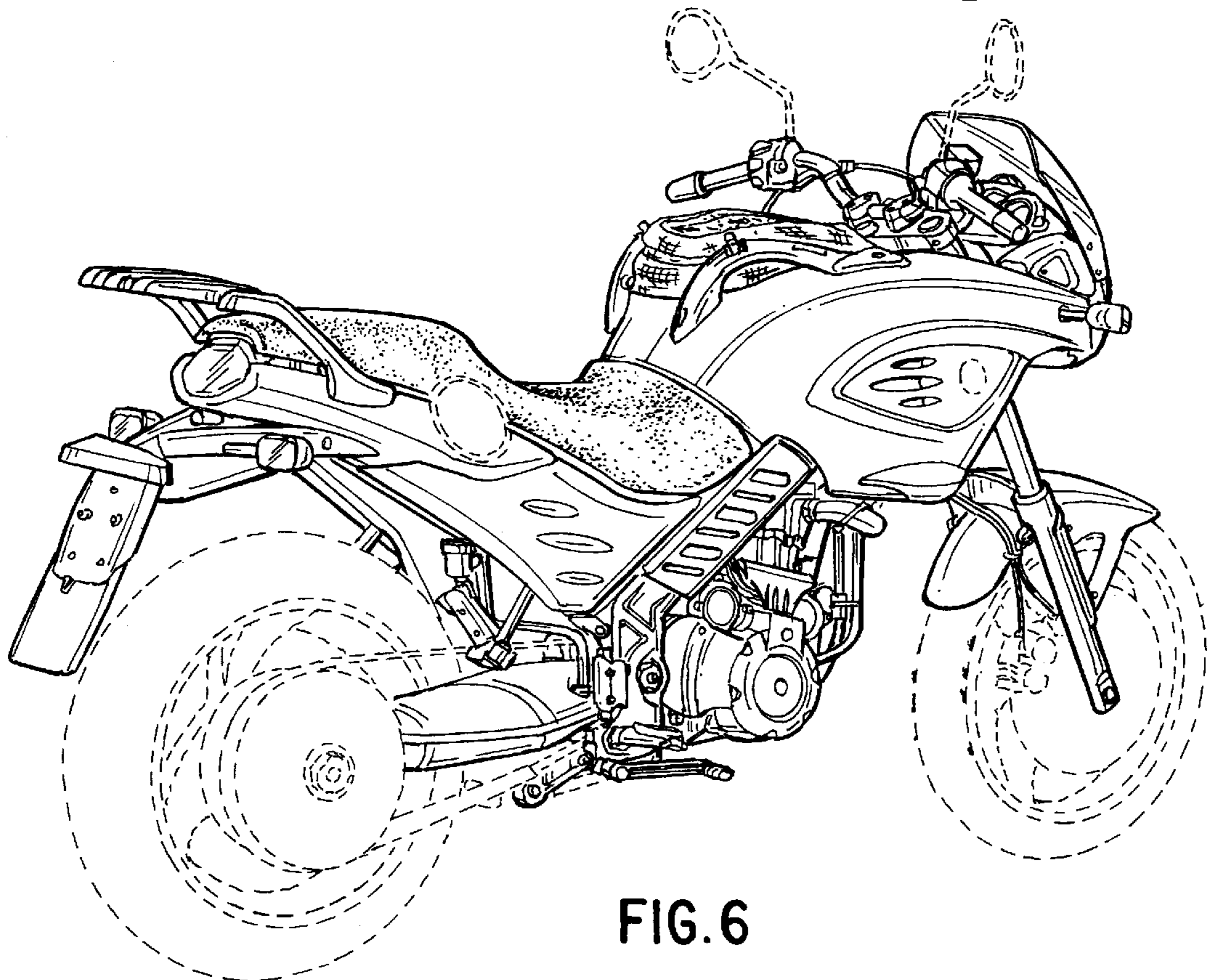


FIG. 6

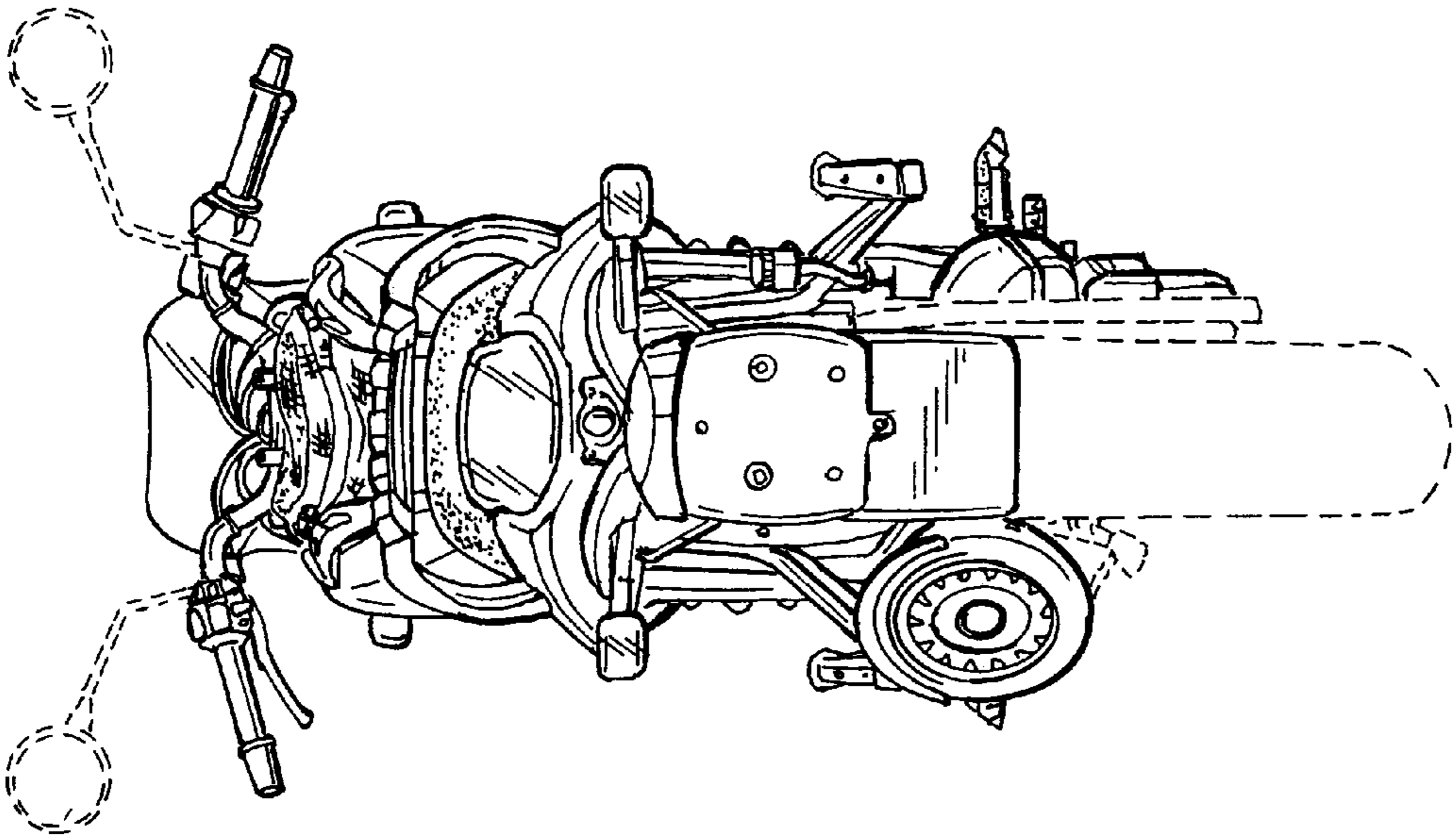


FIG. 8

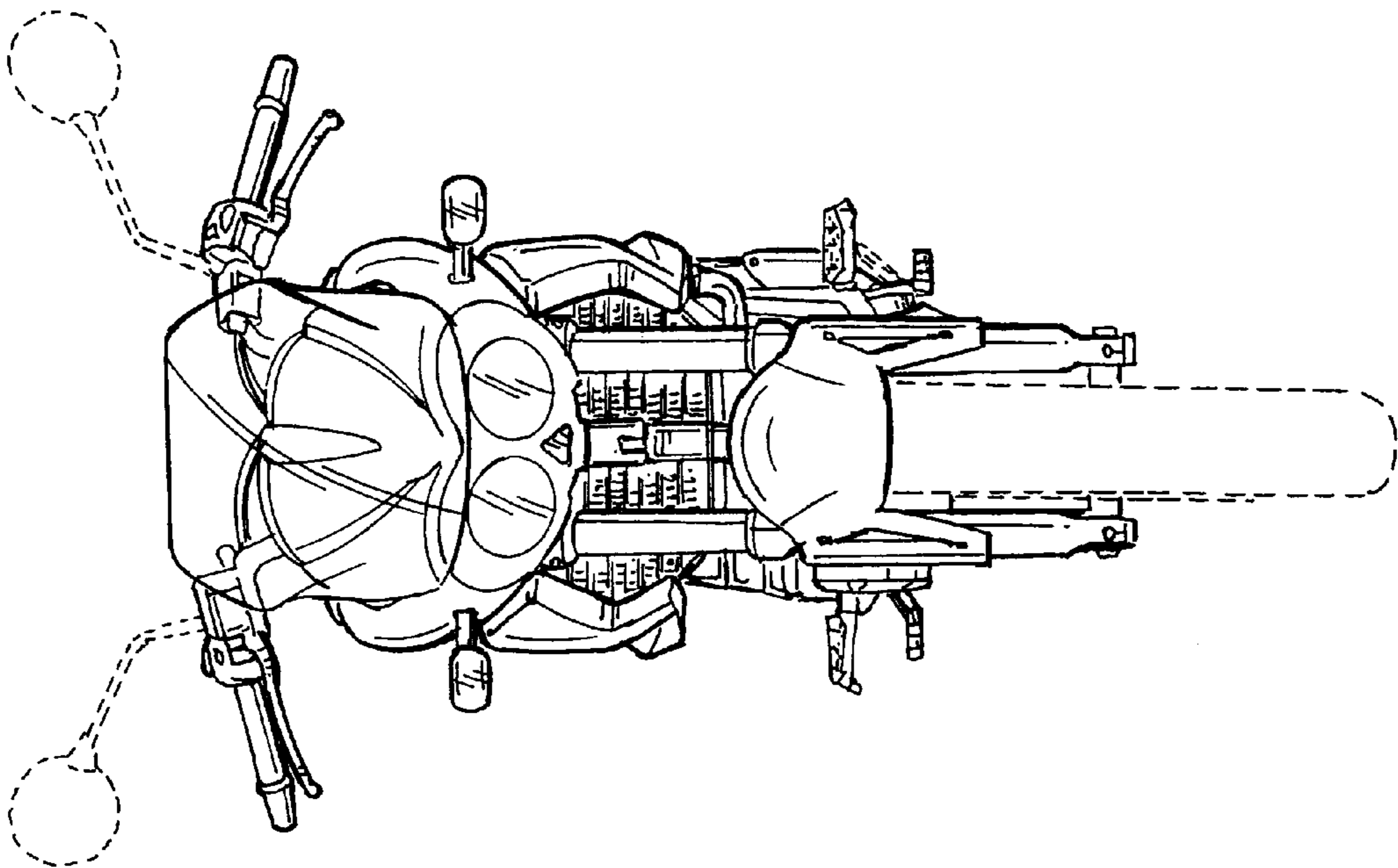


FIG. 7

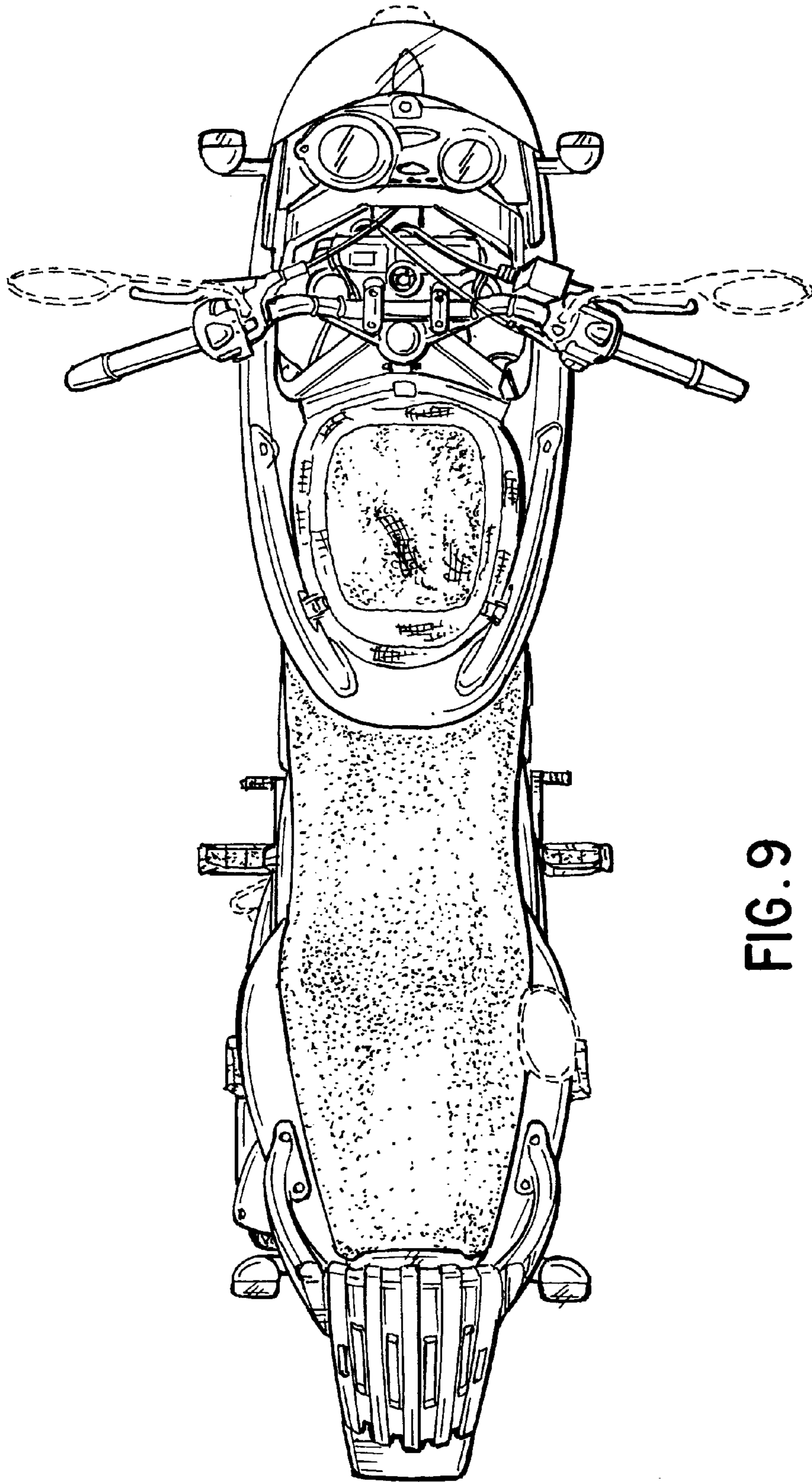


FIG. 9