



US00D455372S

(12) **United States Design Patent**  
**Myles et al.**

(10) **Patent No.:** **US D455,372 S**

(45) **Date of Patent:** **\*\* Apr. 9, 2002**

(54) **VEHICLE BODY**

(75) Inventors: **Dennis Myles**, West Bloomfield;  
**Clifford Wilkins**, Rochester Hills;  
**Ricardo Z. Aneiros**, Dearborn; **Clyde W. Ney**; **Victor Kruk**, both of  
Clarkston; **Mark T. Allen**, Oxford;  
**James L. Hackstedde**, Bloomfield  
Hills; **John Gaudreau**, Rochester Hills;  
**Ernest F. Wiloughby**, Lake Orion, all  
of MI (US)

(73) Assignee: **DaimlerChrysler Corporation**, Auburn  
Hills, MI (US)

(\*\*) Term: **14 Years**

(21) Appl. No.: **29/133,769**

(22) Filed: **Dec. 6, 2000**

(51) **LOC (7) Cl.** ..... **12-08**  
(52) **U.S. Cl.** ..... **D12/98**  
(58) **Field of Search** ..... D12/98, 93, 96;  
296/183, 24.1, 37.6

(56) **References Cited**

**U.S. PATENT DOCUMENTS**

D336,266 S 6/1993 Hunter ..... D12/98  
D350,504 S 9/1994 Nixon ..... D12/91  
D352,485 S 11/1994 Creed et al. .... D12/98

D357,213 S 4/1995 Hunter et al. .... D12/98  
D365,783 S 1/1996 Starr et al. .... D12/91  
D373,979 S 9/1996 Starr et al. .... D12/98  
D396,666 S 8/1998 Allen ..... D12/98  
D396,828 S 8/1998 Baccus et al. .... D12/91  
D405,392 S 2/1999 Allen ..... D12/98  
D411,815 S 7/1999 Yamamoto et al. .... D12/91  
D419,491 S 1/2000 Allen ..... D12/98  
D420,939 S 2/2000 Faurote et al. .... D12/91  
D430,068 S 8/2000 Castiglione et al. .... D12/98

*Primary Examiner*—Melody N. Brown  
(74) *Attorney, Agent, or Firm*—Mark P. Calcaterra

(57) **CLAIM**

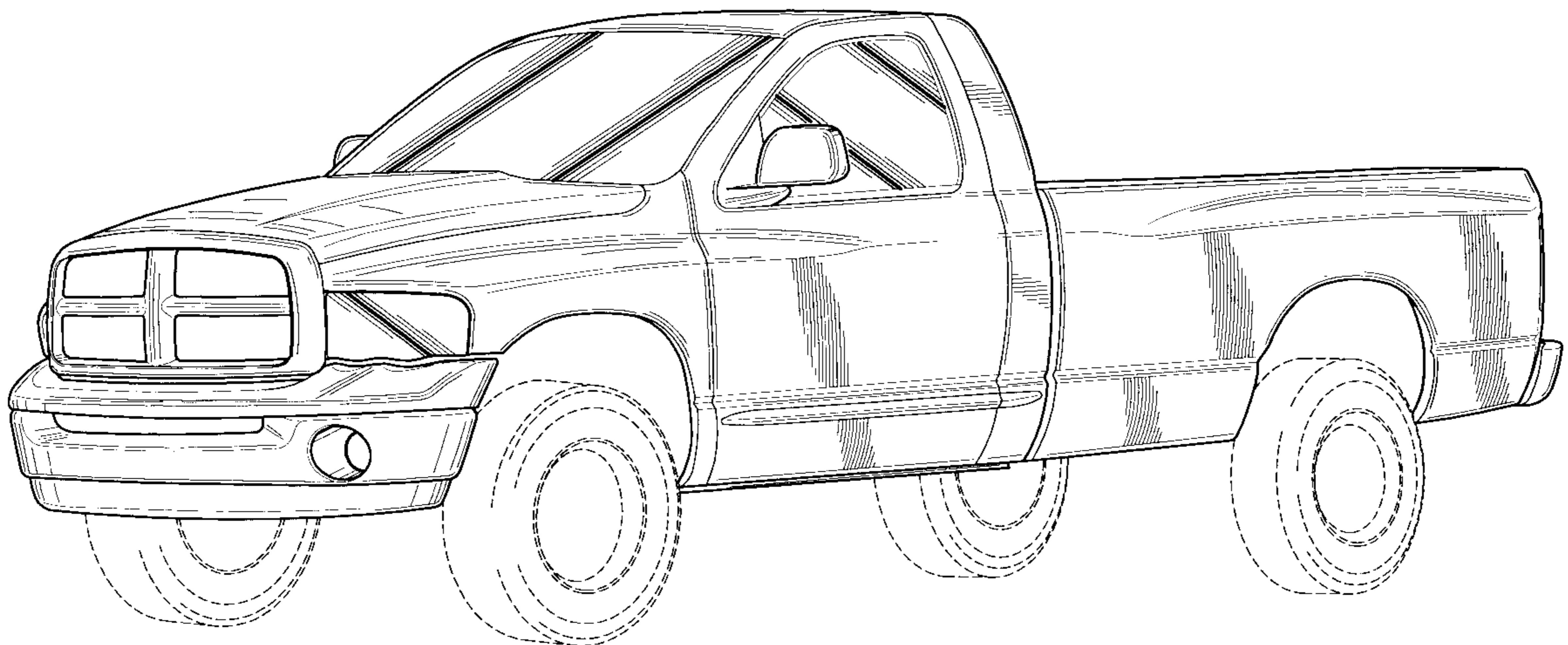
The ornamental design for a vehicle body, as shown and described.

**DESCRIPTION**

FIG. 1 is a front perspective view of a vehicle body showing a first embodiment of our new design;  
FIG. 2 is a rear perspective view thereof;  
FIG. 3 is a left side view thereof;  
FIG. 4 is a right side view thereof;  
FIG. 5 is a front view thereof; and,  
FIG. 6 is a rear view thereof.

It will be understood that the top is plain and unornamental and further that the broken line shown throughout the drawings is for illustration only, forming no part of the claimed design.

**1 Claim, 5 Drawing Sheets**



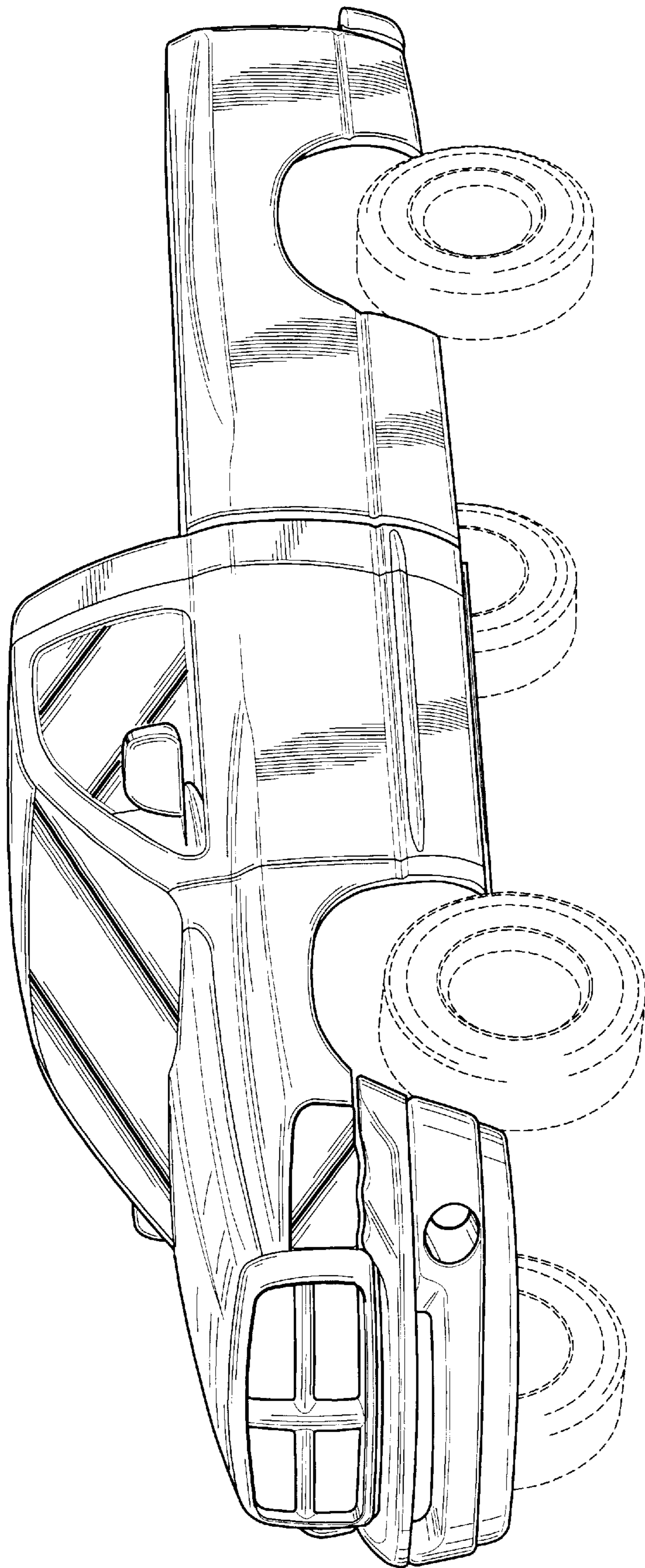


Figure - 1

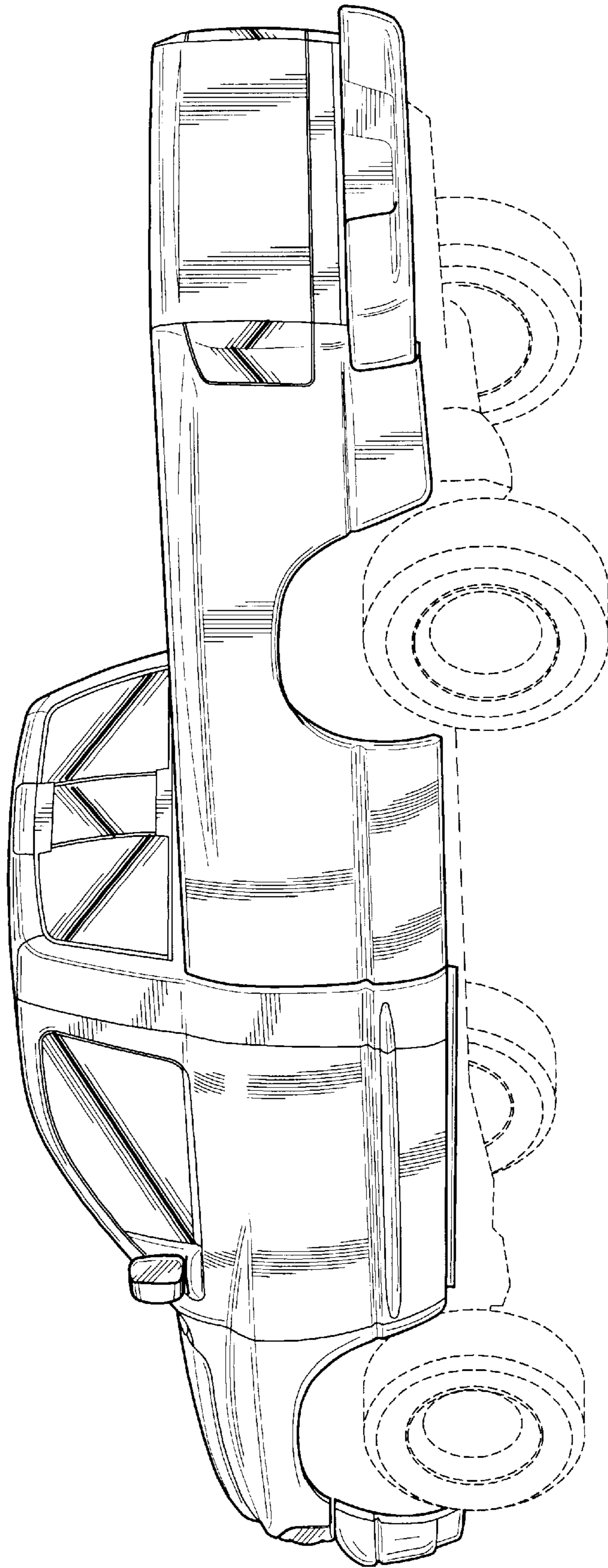


Figure - 2

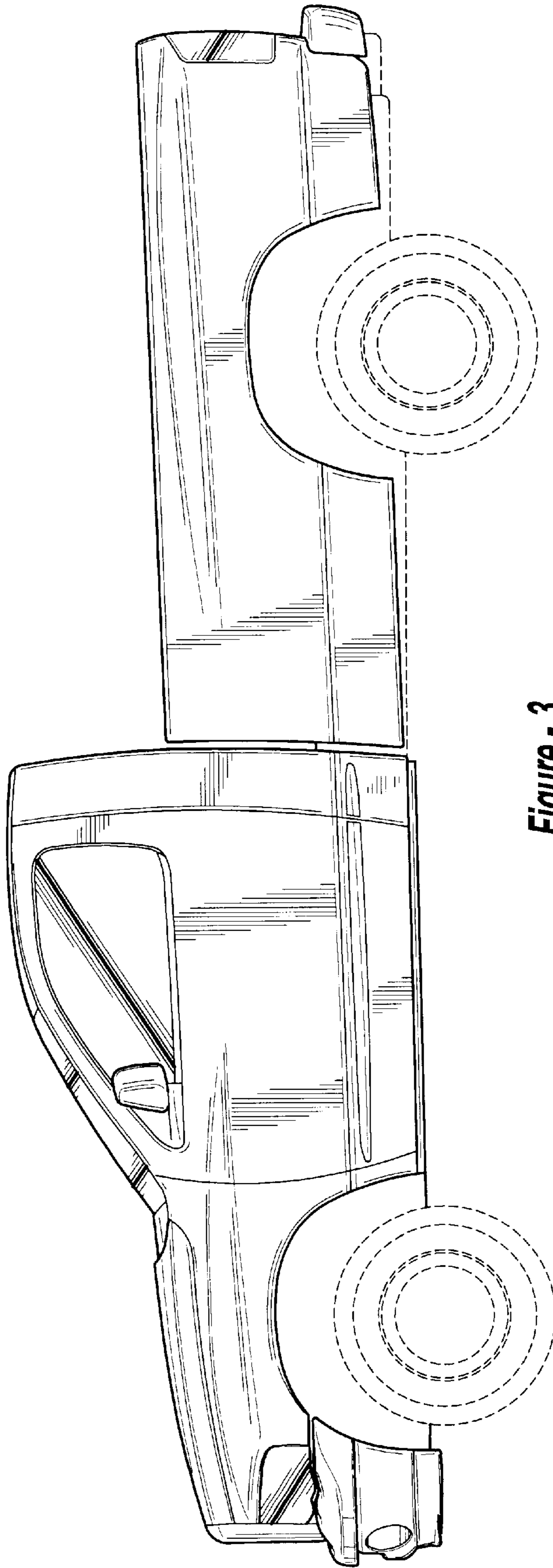


Figure - 3

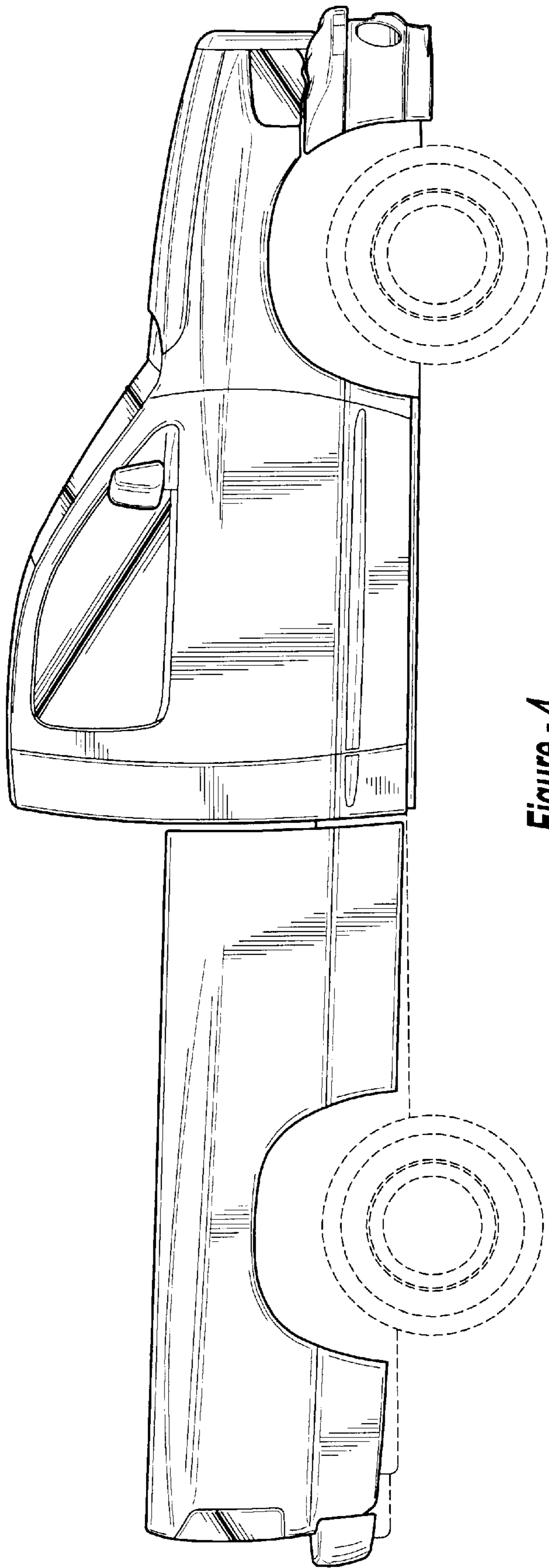


Figure - 4

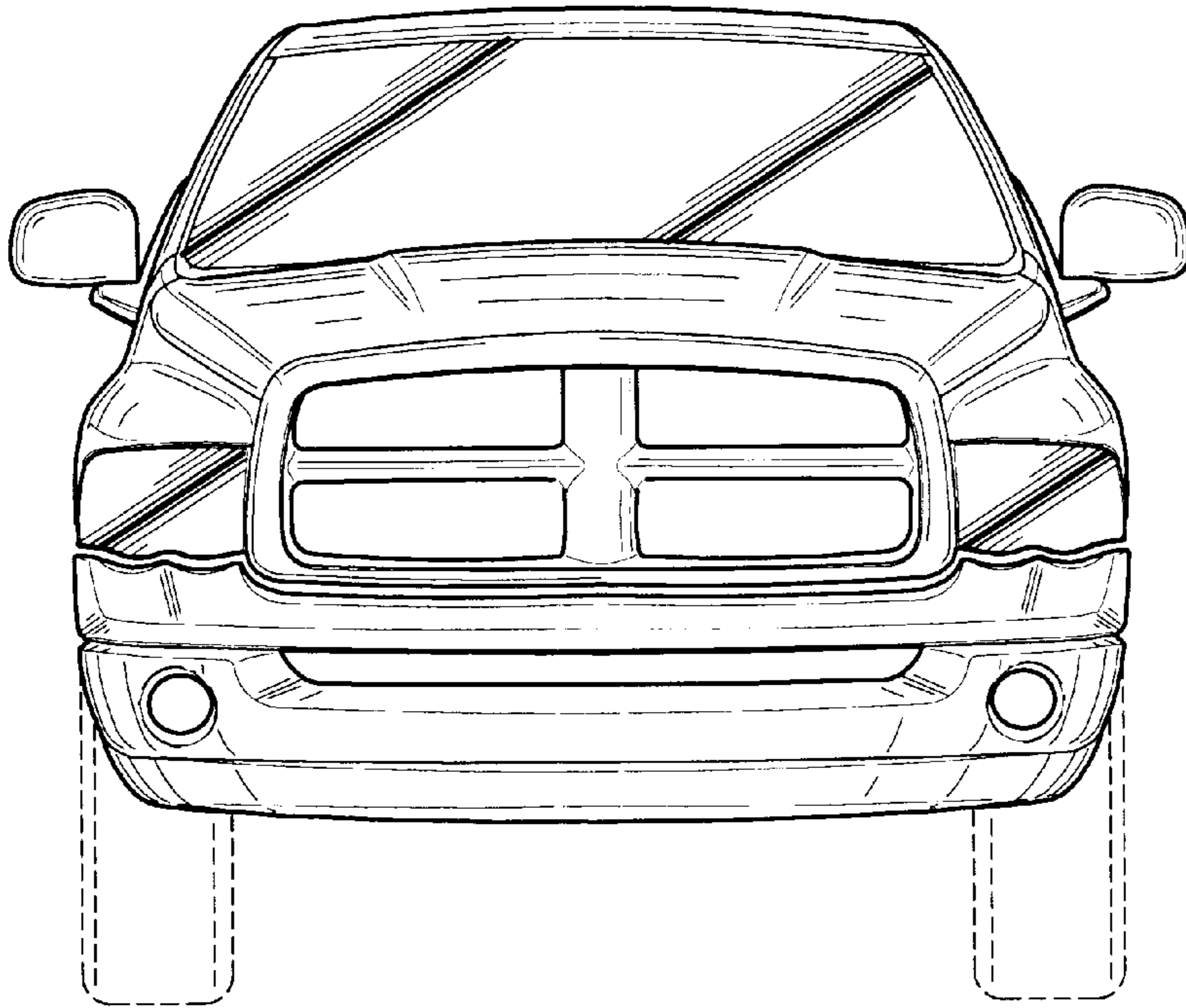


Figure - 5

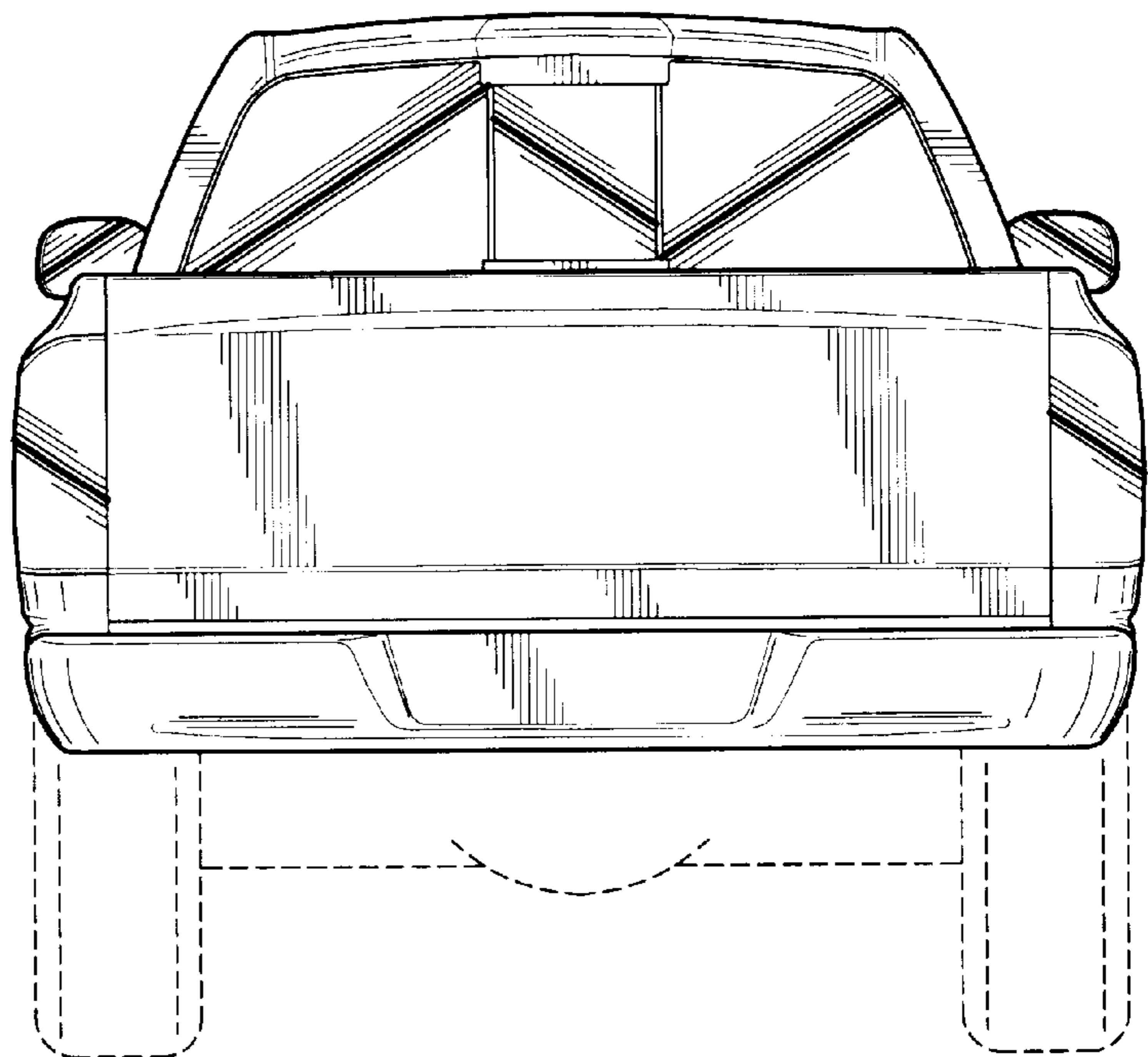


Figure - 6