



US00D455371S

(12) **United States Design Patent**  
**Brassington**

(10) **Patent No.:** **US D455,371 S**

(45) **Date of Patent:** **\*\* Apr. 9, 2002**

(54) **TOP RAIL FOR A REFRIGERATED  
FREIGHT CONTAINER**

6,016,664 A \* 1/2000 Larsson ..... 64/406.62  
6,109,058 A \* 8/2000 Franklin, Jr. .... 62/384  
6,109,469 A \* 8/2000 Clive-Smith ..... 220/1.5

(75) **Inventor:** **Anthony William Brassington,**  
Pitstone Bucks (GB)

\* cited by examiner

(73) **Assignee:** **Sea Containers Services Ltd.,** London  
(GB)

*Primary Examiner*—Mitchell Siegel  
(74) *Attorney, Agent, or Firm*—Ladas & Parry

(\*\*) **Term:** **14 Years**

(57) **CLAIM**

(21) **Appl. No.:** **29/105,854**

I claim the ornamental design for top rail for a refrigerated freight container, as shown.

(22) **Filed:** **Jun. 1, 1999**

**DESCRIPTION**

(30) **Foreign Application Priority Data**

Dec. 1, 1998 (GB) ..... 2079528

(51) **LOC (7) Cl.** ..... **12-08**

(52) **U.S. Cl.** ..... **D12/97**

(58) **Field of Search** ..... D23/386, 393;  
D9/414, 430-434; 62/406, 371, 407, 239,  
420, 384; 220/1.5, 592.09, 592.1; D12/101-104,  
97; D25/119, 164

FIG. 1 is a front/top/right-side perspective view of a top rail for a refrigerator freight container showing my new design; FIG. 2 is a right-side elevational view thereof; FIG. 3 is a left-side elevational view thereof; FIG. 4 is a top plan view thereof; FIG. 5 is a front elevational view thereof; and, FIG. 6 is a bottom plan view thereof.

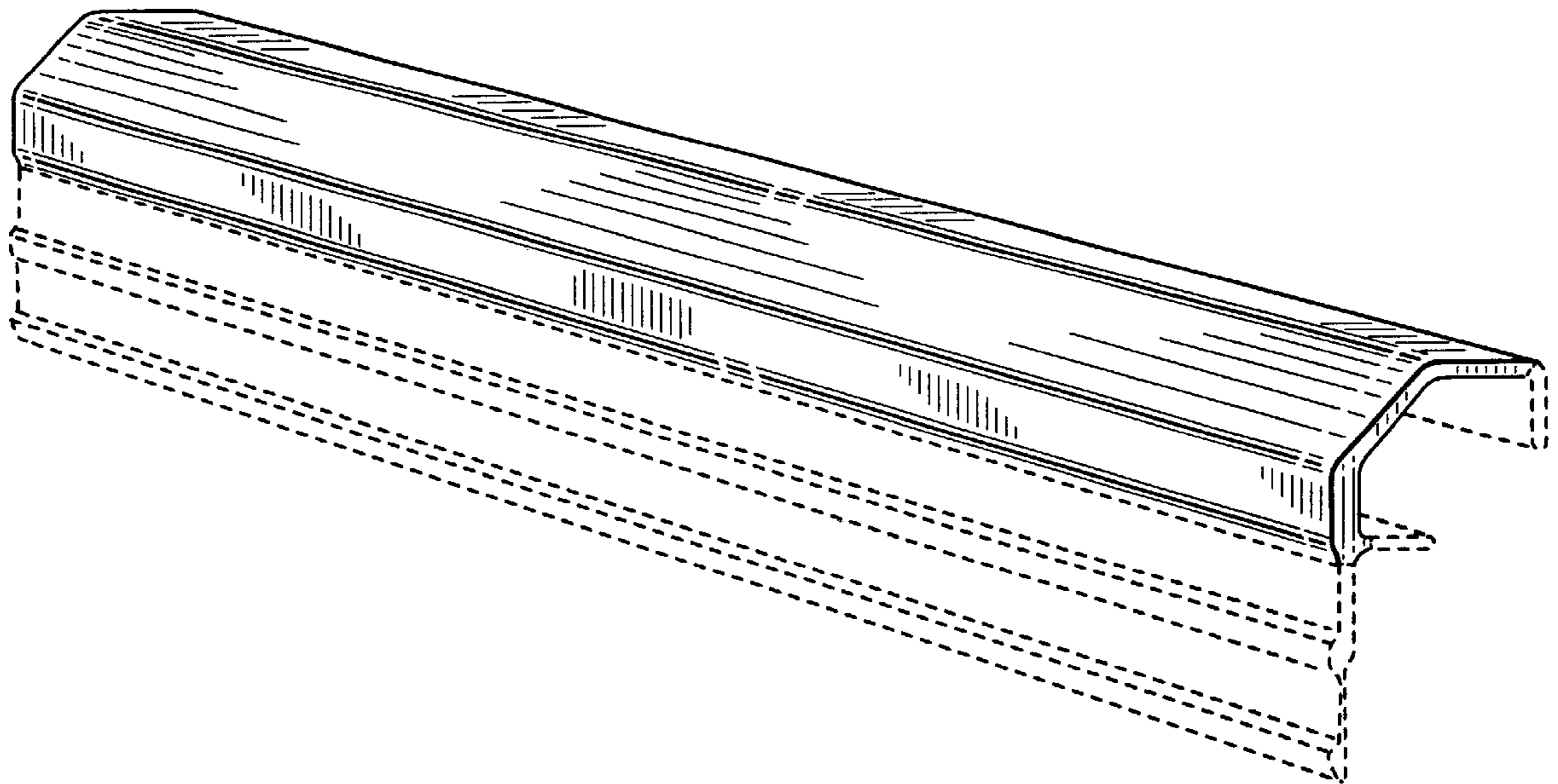
The broken showing is for illustrative purposes only and forms no part of the claimed design.

(56) **References Cited**

**U.S. PATENT DOCUMENTS**

5,987,910 A \* 11/1999 Kothe et al. .... 220/1.5

**1 Claim, 2 Drawing Sheets**



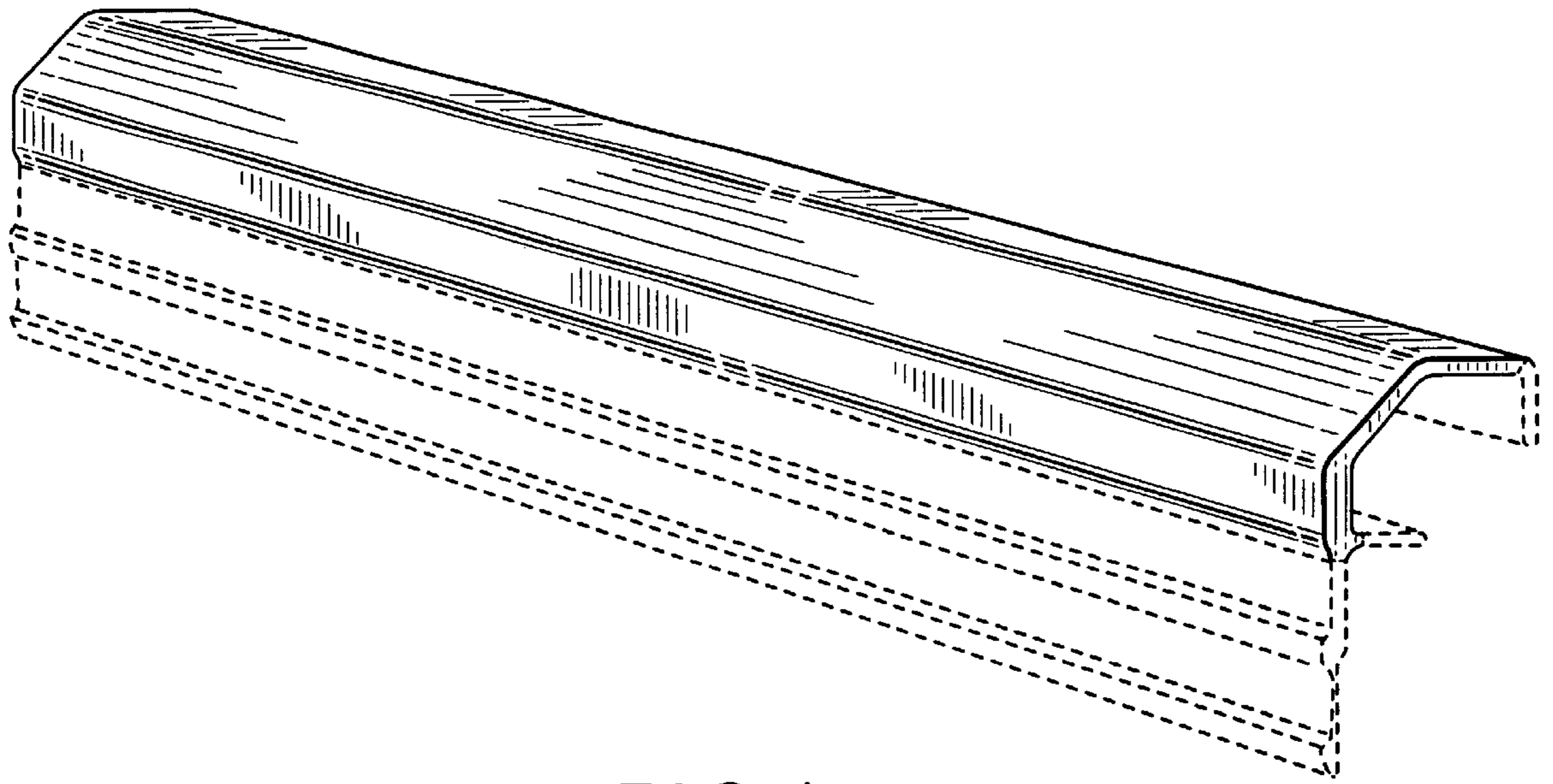


FIG. 1

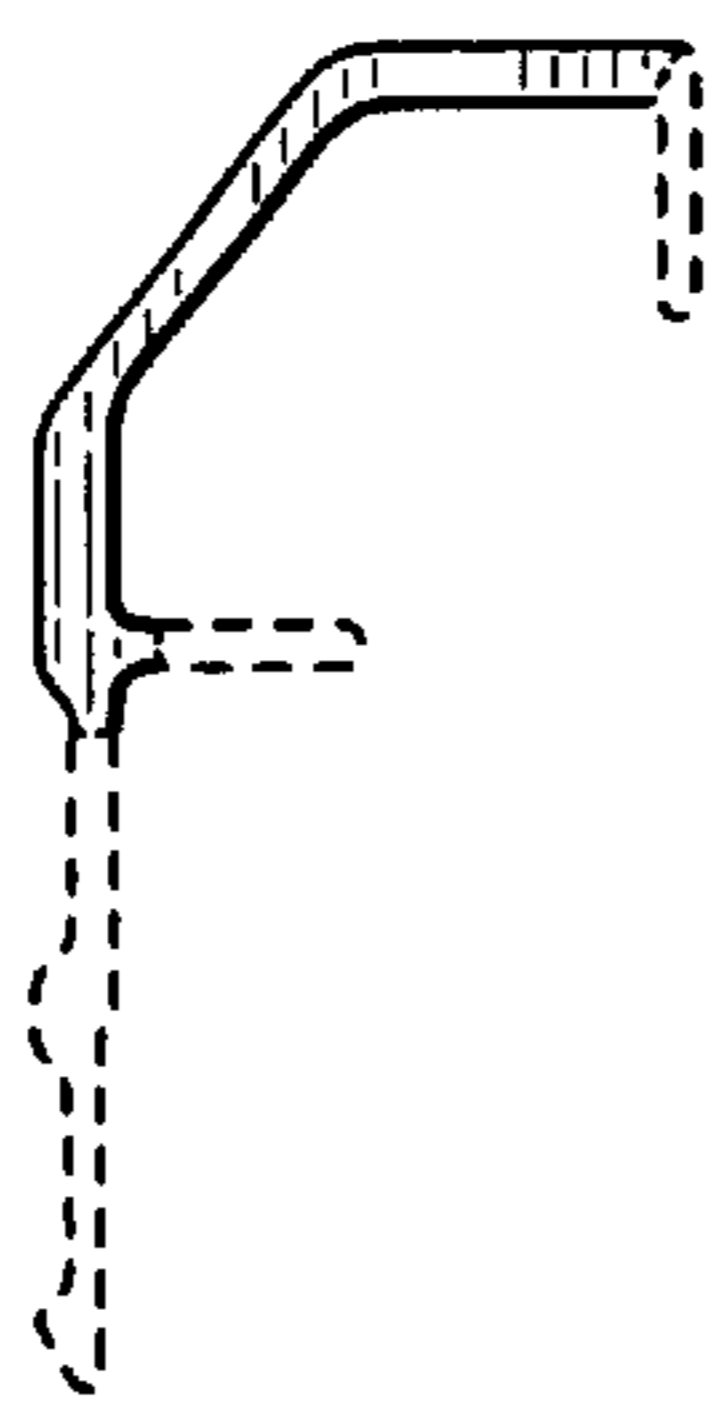


FIG. 2



FIG. 3

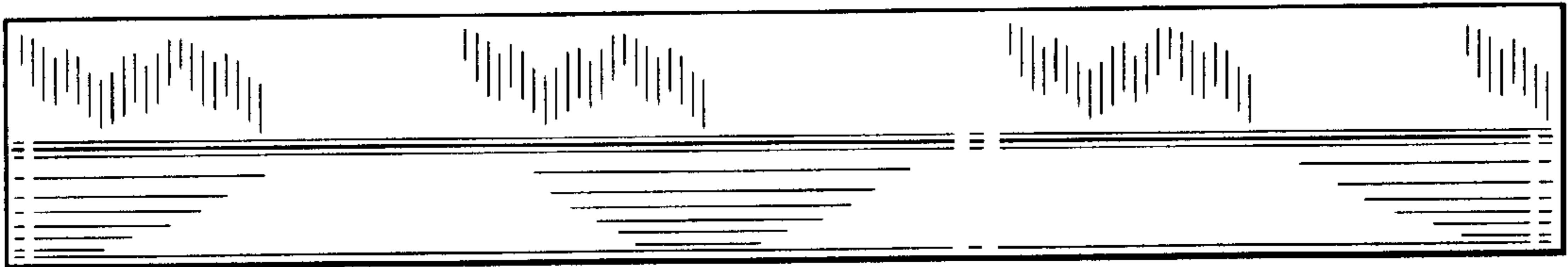


FIG. 4

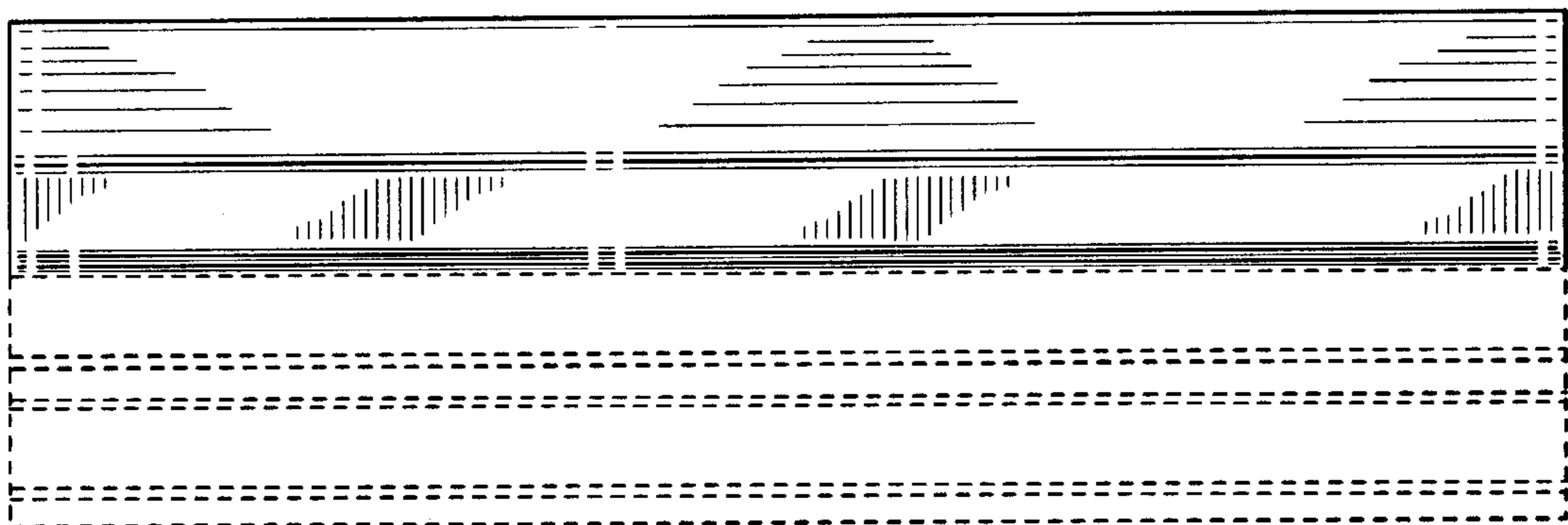


FIG. 5

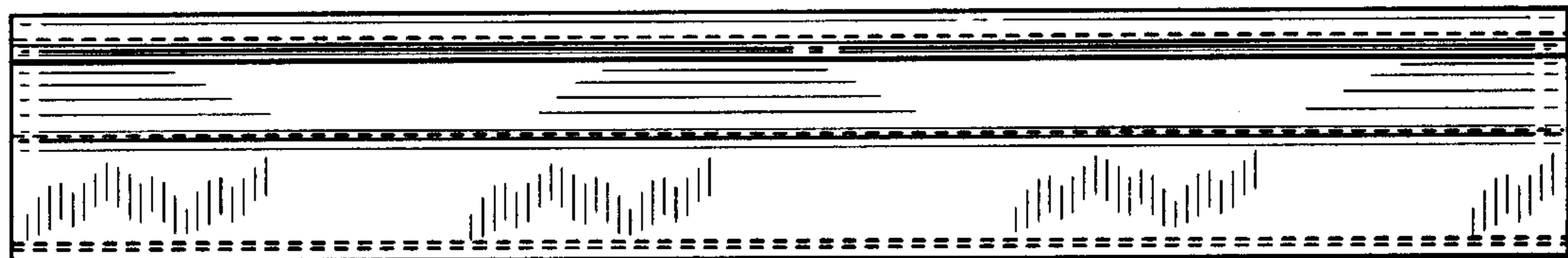


FIG. 6