



US00D455363S

(12) **United States Design Patent**
Fuss

(10) **Patent No.:** **US D455,363 S**

(45) **Date of Patent:** **** Apr. 9, 2002**

(54) **GARMENT TAG WITH INK VIALS**

D353,115 S * 12/1994 Gatner et al. D10/106
D407,033 S * 3/1999 Fors D10/106

(76) Inventor: **Arthur Fuss**, 4235 Mary Ellen St.
#301, Studio City, CA (US) 91604

* cited by examiner

(**) Term: **14 Years**

Primary Examiner—Marcus A. Jackson
(74) *Attorney, Agent, or Firm*—Roger A Marrs

(21) Appl. No.: **29/145,707**

(57) **CLAIM**

(22) Filed: **Jul. 30, 2001**

The ornamental design for garment tag with ink vials, as shown and described.

(51) **LOC (7) Cl.** **10-05**

DESCRIPTION

(52) **U.S. Cl.** **D10/106**

FIG. 1 is a rear perspective view showing my new design for a garment tag with ink vials;

(58) **Field of Search** D10/104, 106,
D10/116, 121; 340/506, 568, 571, 572,
573

FIG. 2 is a front perspective view thereof;

FIG. 3 is a side elevational view thereof with the opposite side being a mirror image thereof;

(56) **References Cited**

FIG. 4 is a rear elevational view thereof;

U.S. PATENT DOCUMENTS

FIG. 5 is a front elevational view thereof; and,

D346,126 S * 4/1994 Hedriks D10/106

FIG. 6 is a bottom plan view thereof.

1 Claim, 1 Drawing Sheet

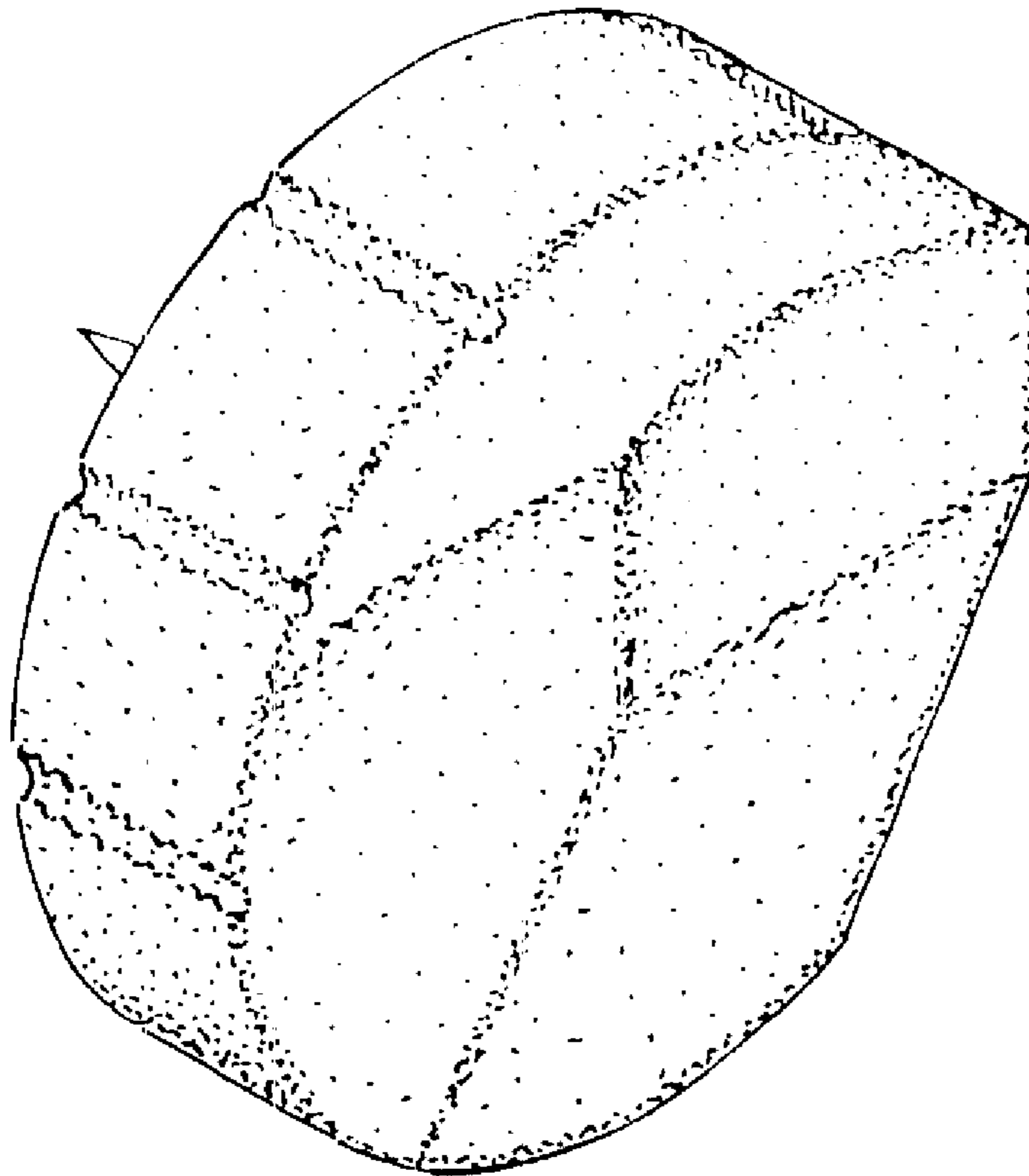


FIG. 1

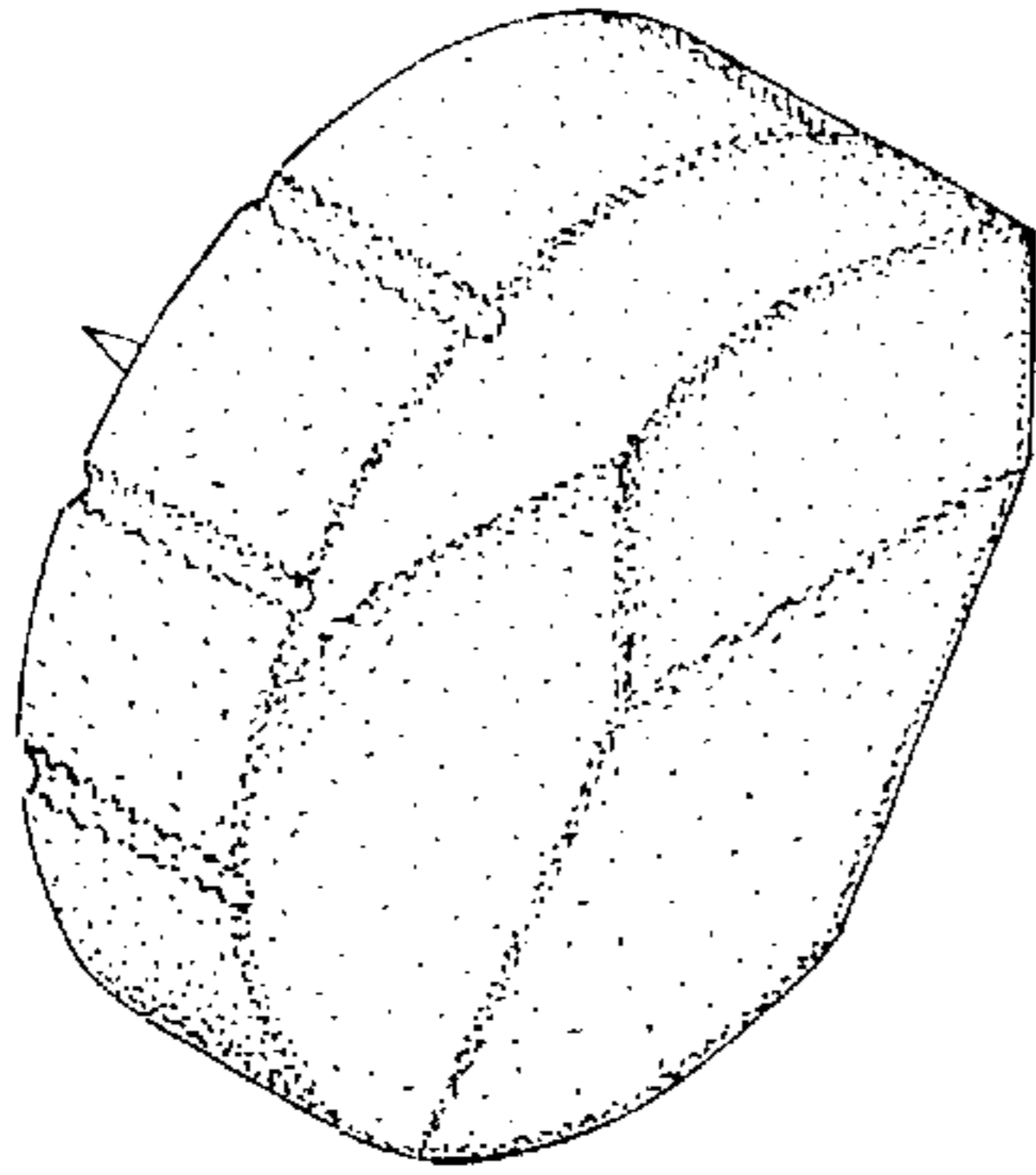


FIG. 2

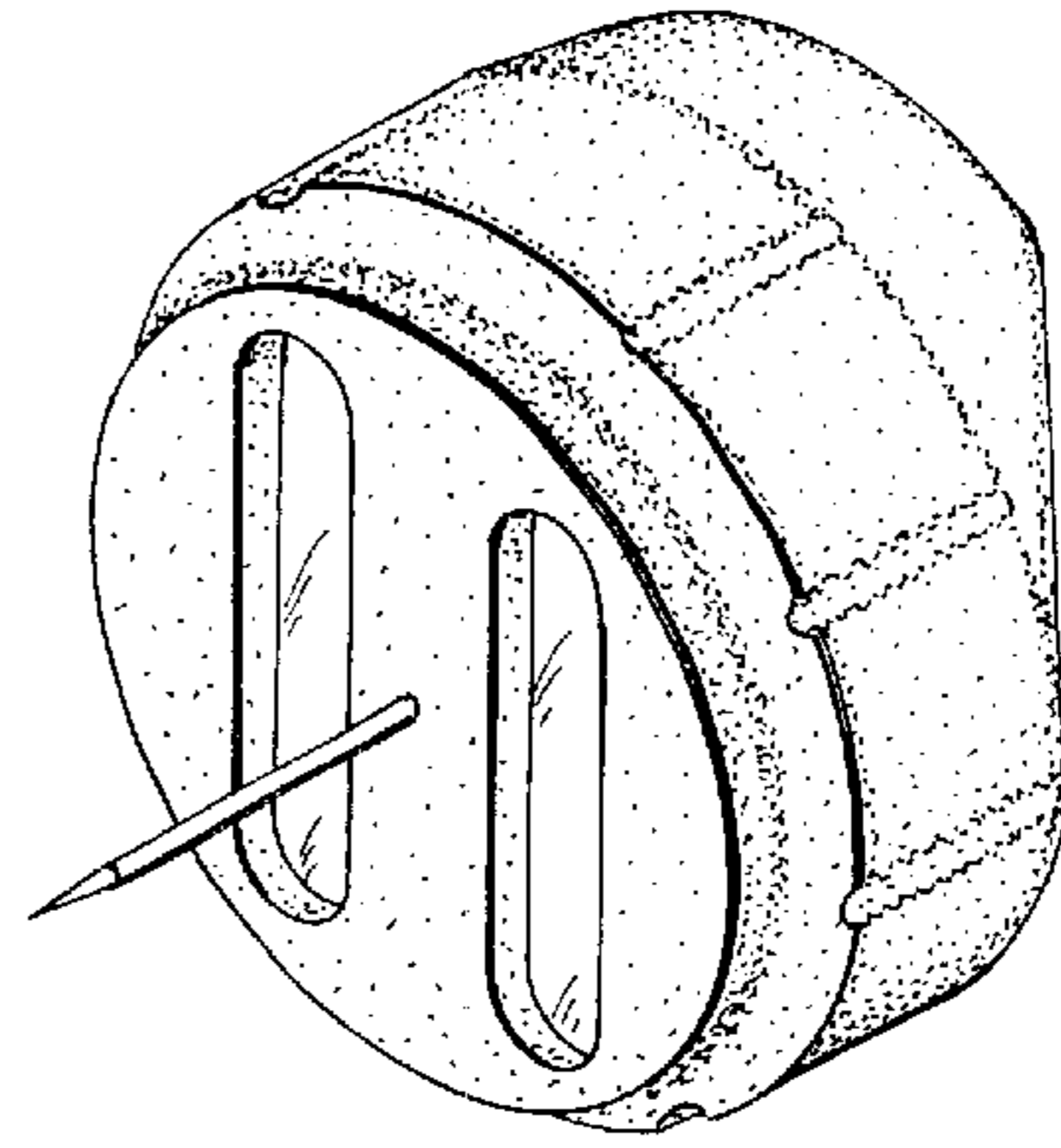


FIG. 3

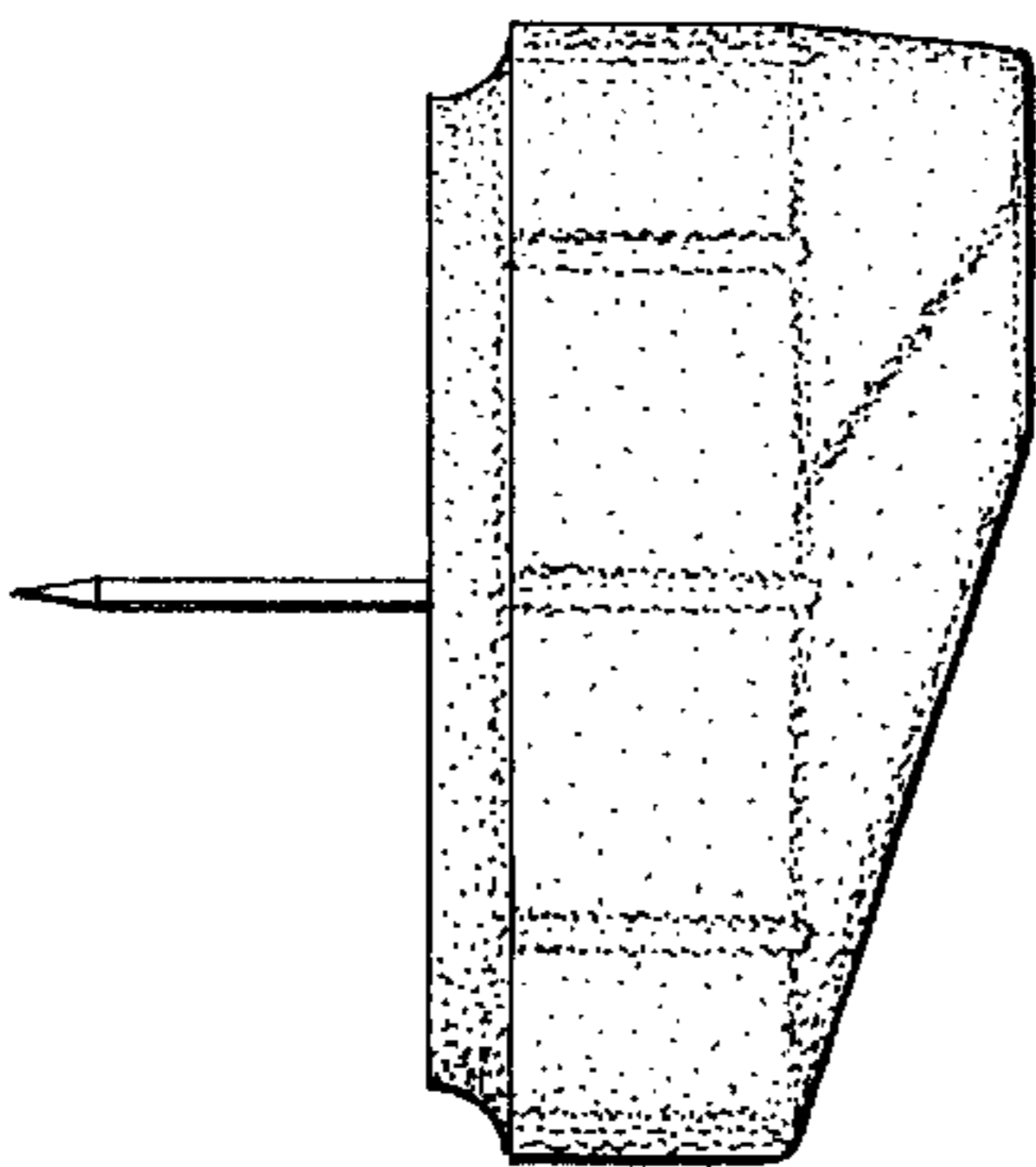


FIG. 4

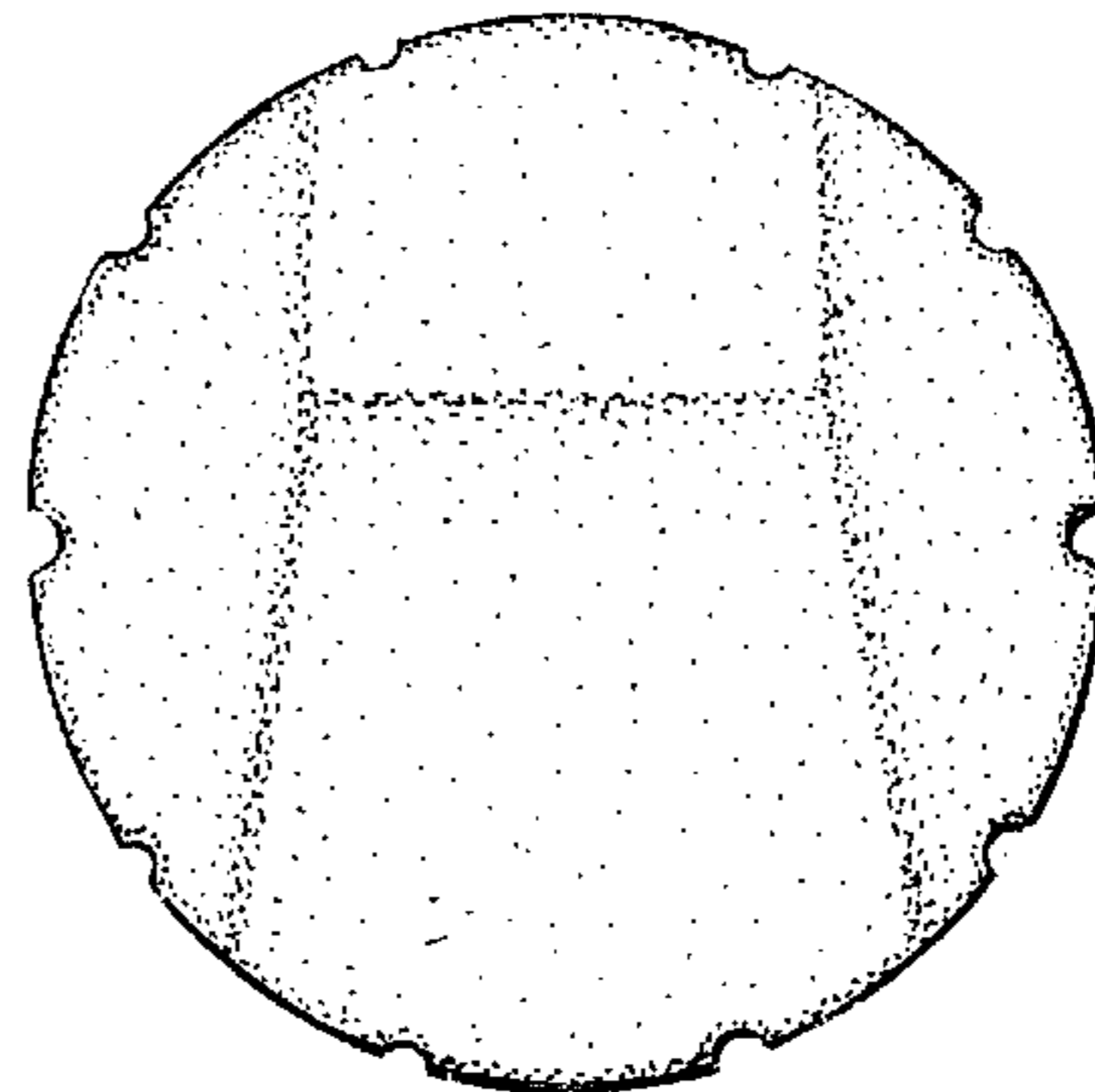


FIG. 6

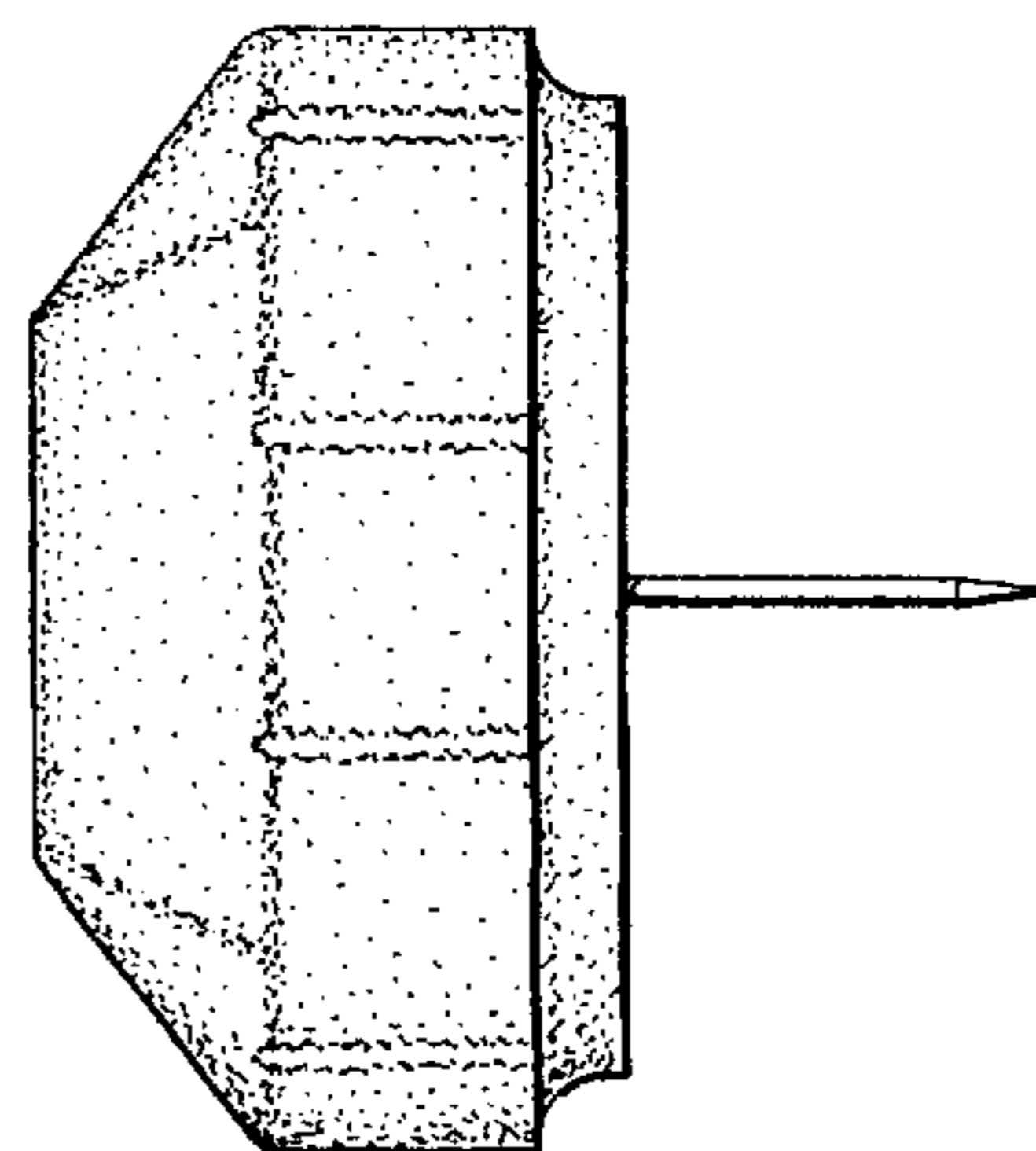


FIG. 5

