



US00D455362S

(12) **United States Design Patent**  
**Okuyama et al.**

(10) **Patent No.:** **US D455,362 S**

(45) **Date of Patent:** **\*\* Apr. 9, 2002**

(54) **PRESSURE DETECTION SWITCH**

5,108,265 A \* 4/1992 Kolke ..... 200/82 C  
D447,072 S \* 8/2001 Asai et al. .... D10/95

(75) Inventors: **Tomoyuki Okuyama**, Toride;  
**Haruhiko Okuno**, Koshigaya; **Ge Pinghou**, Toride; **Akio Sato**, Soka, all of (JP)

\* cited by examiner

*Primary Examiner*—Antoine Duval Davis  
(74) *Attorney, Agent, or Firm*—Frishauf, Holtz, Goodman, Langer & Chick, P.C.

(73) Assignee: **SMC Kabushiki Kaisha**, Tokyo (JP)

(\*\*) Term: **14 Years**

(57) **CLAIM**

(21) Appl. No.: **29/139,411**

The ornamental design for a pressure detection switch, as shown.

(22) Filed: **Mar. 29, 2001**

**DESCRIPTION**

(30) **Foreign Application Priority Data**

Oct. 2, 2000 (JP) ..... 2000-027919

(51) **LOC (7) Cl.** ..... **10-04**

(52) **U.S. Cl.** ..... **D10/96**

(58) **Field of Search** ..... D10/96; 200/82 C,  
200/82 D; 303/10; 417/32, 38, 44.1, 44.2

FIG. 1 is a top, front and right side perspective view of a pressure detection switch, showing our new design;  
FIG. 2 is a front view thereof;  
FIG. 3 is a rear view thereof;  
FIG. 4 is a top plan view thereof;  
FIG. 5 is a bottom plan view thereof;  
FIG. 6 is a right side view thereof; and,  
FIG. 7 is a left side view thereof.

(56) **References Cited**

**U.S. PATENT DOCUMENTS**

4,524,254 A \* 6/1985 Yoshida et al. .... 200/83 R

**1 Claim, 7 Drawing Sheets**

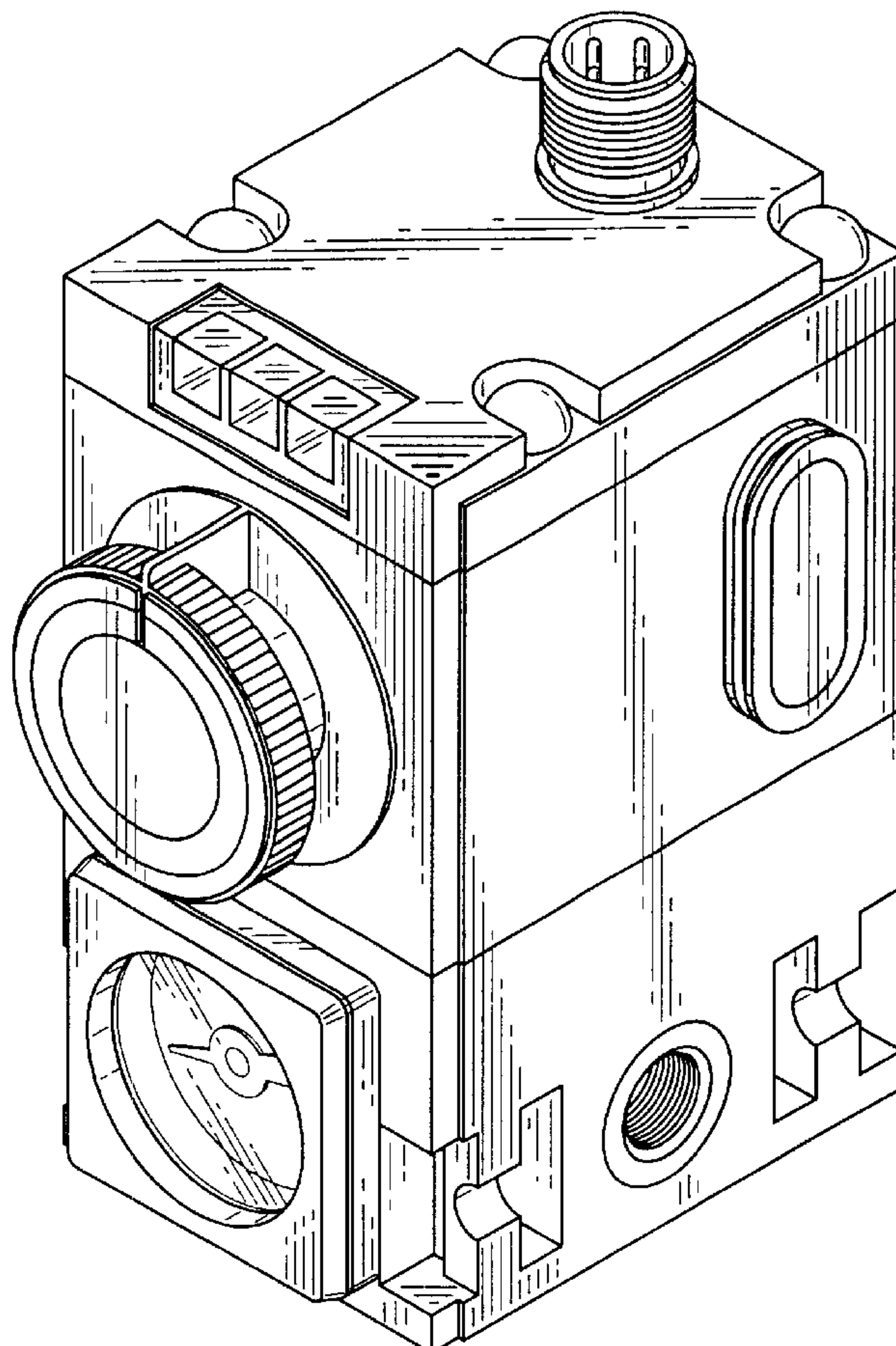


FIG. 1

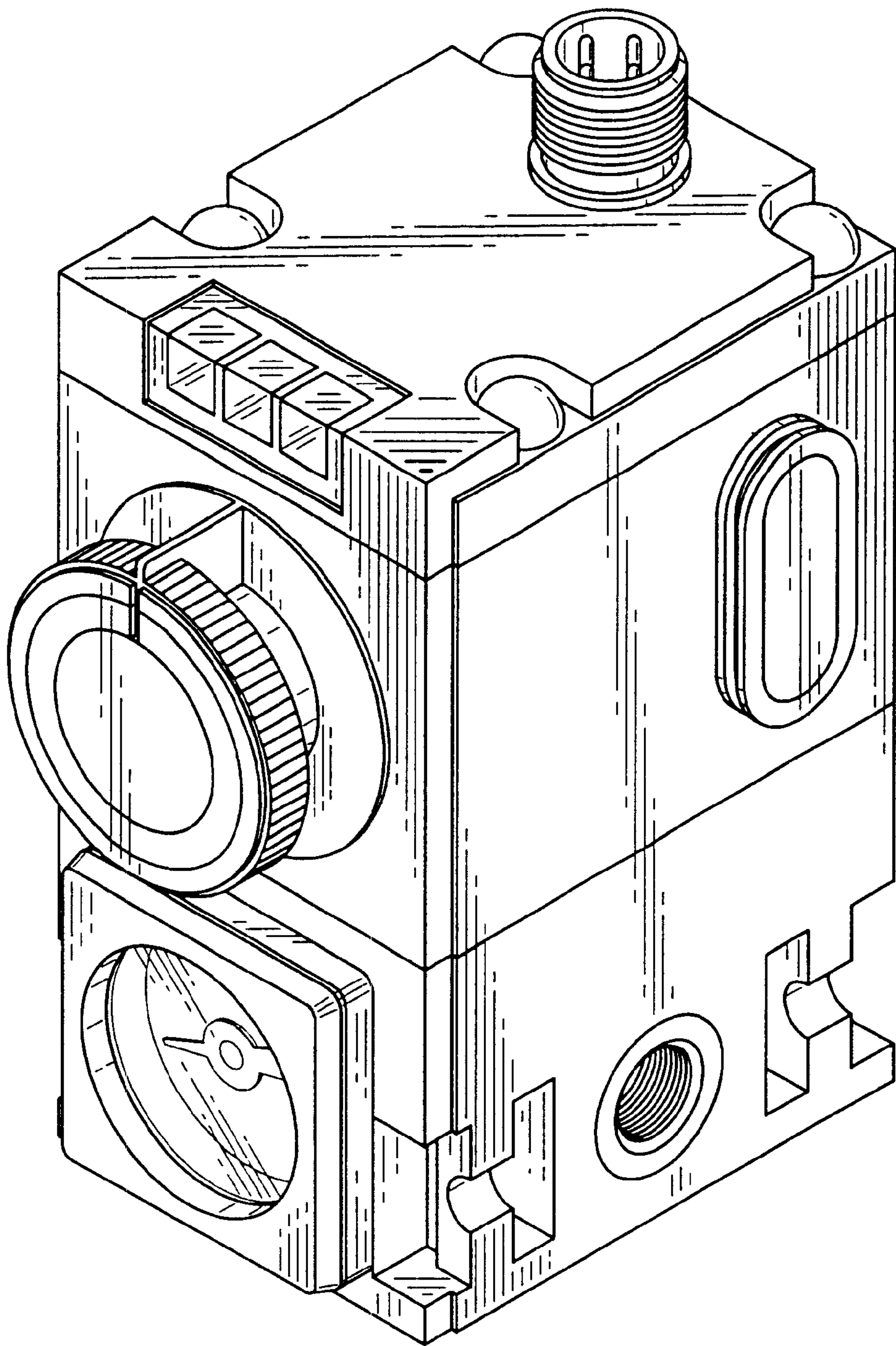


FIG. 2

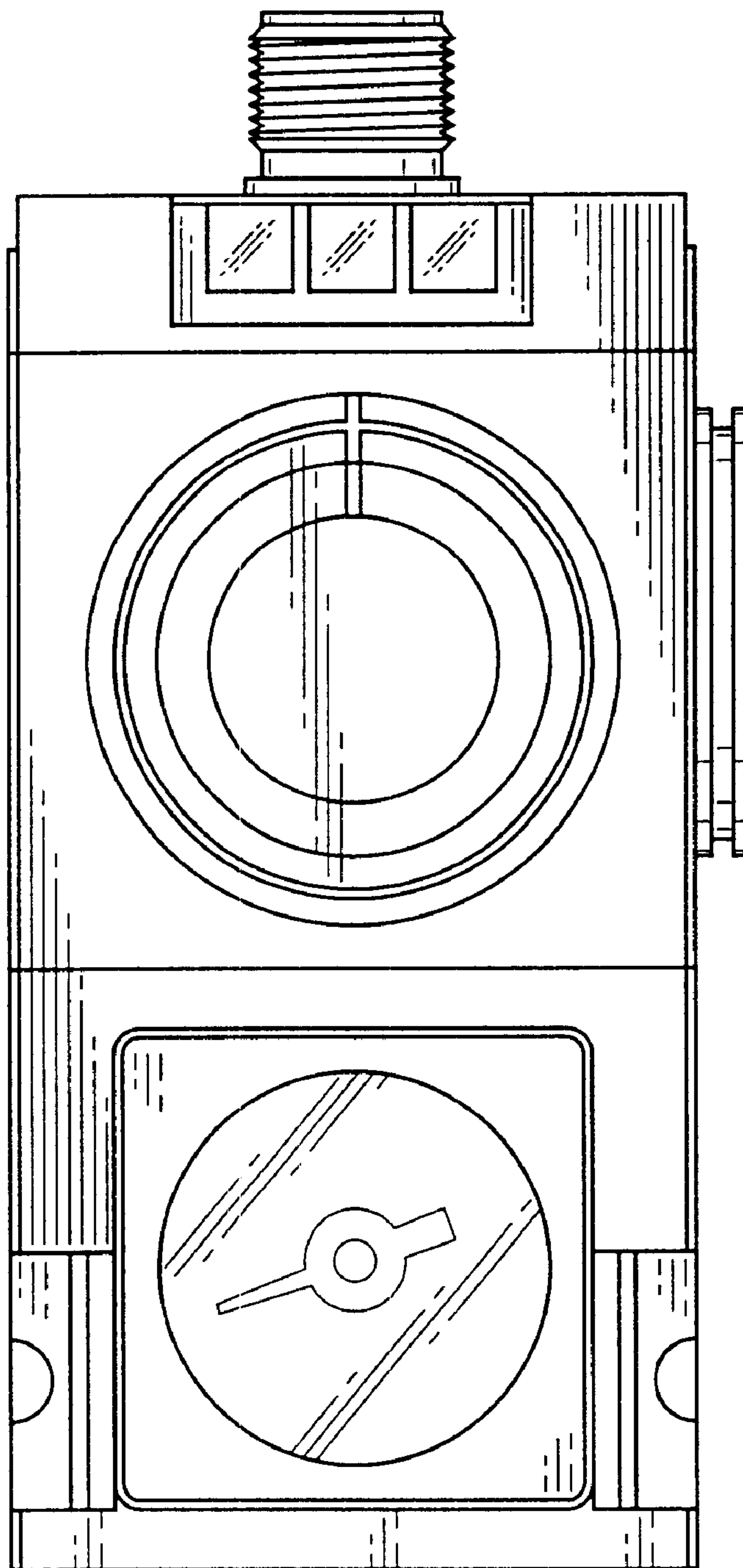


FIG. 3

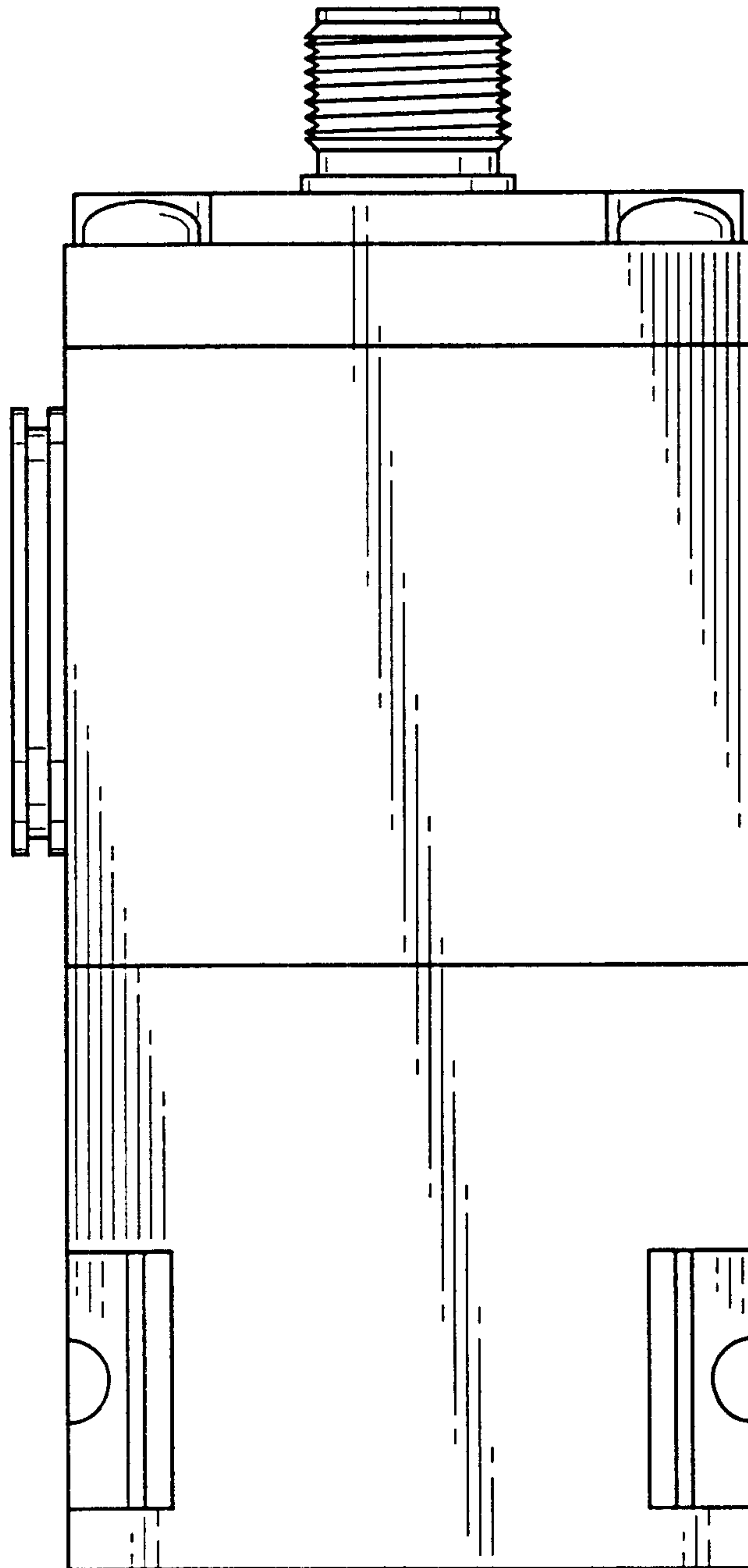


FIG. 4

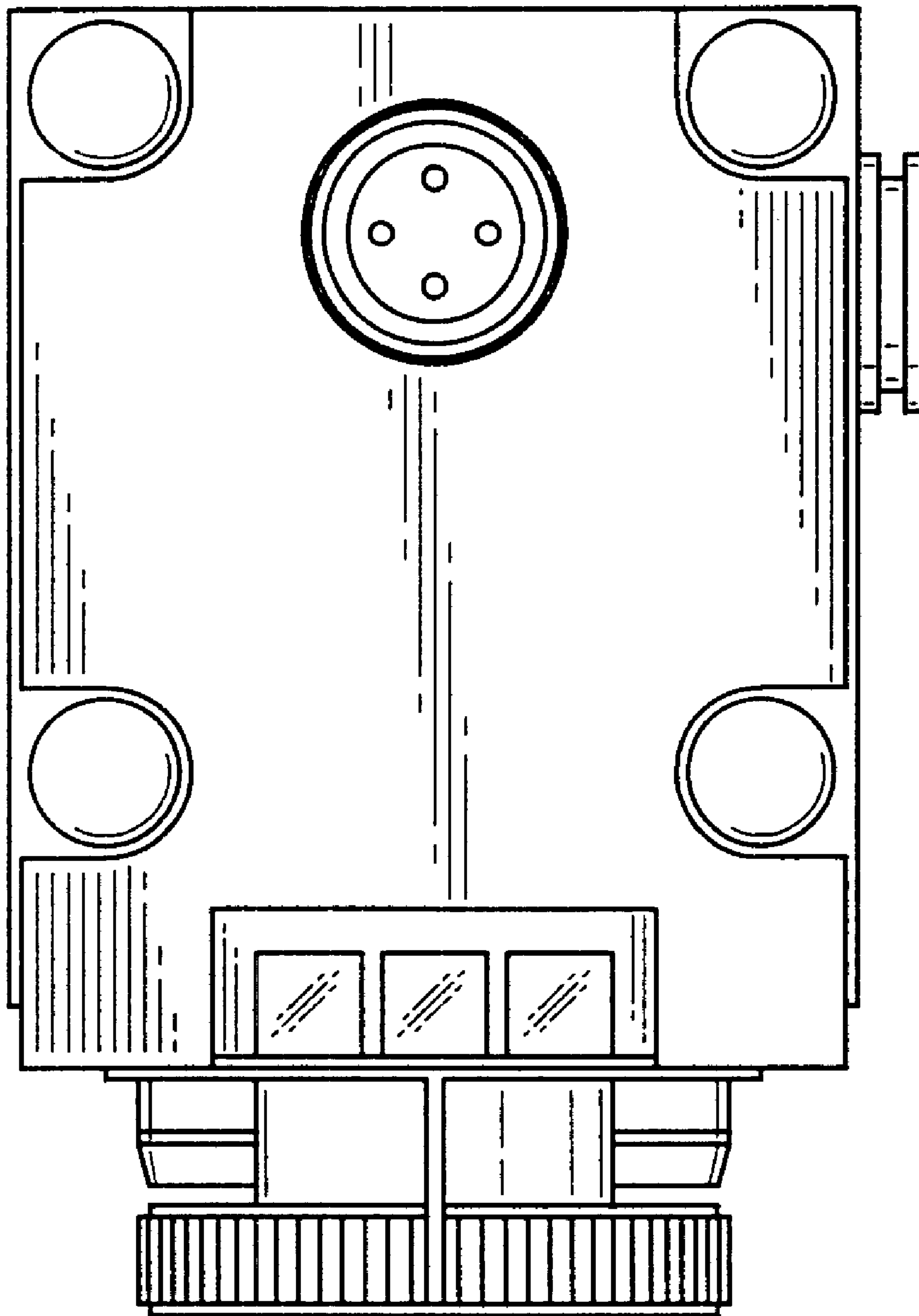




FIG. 5

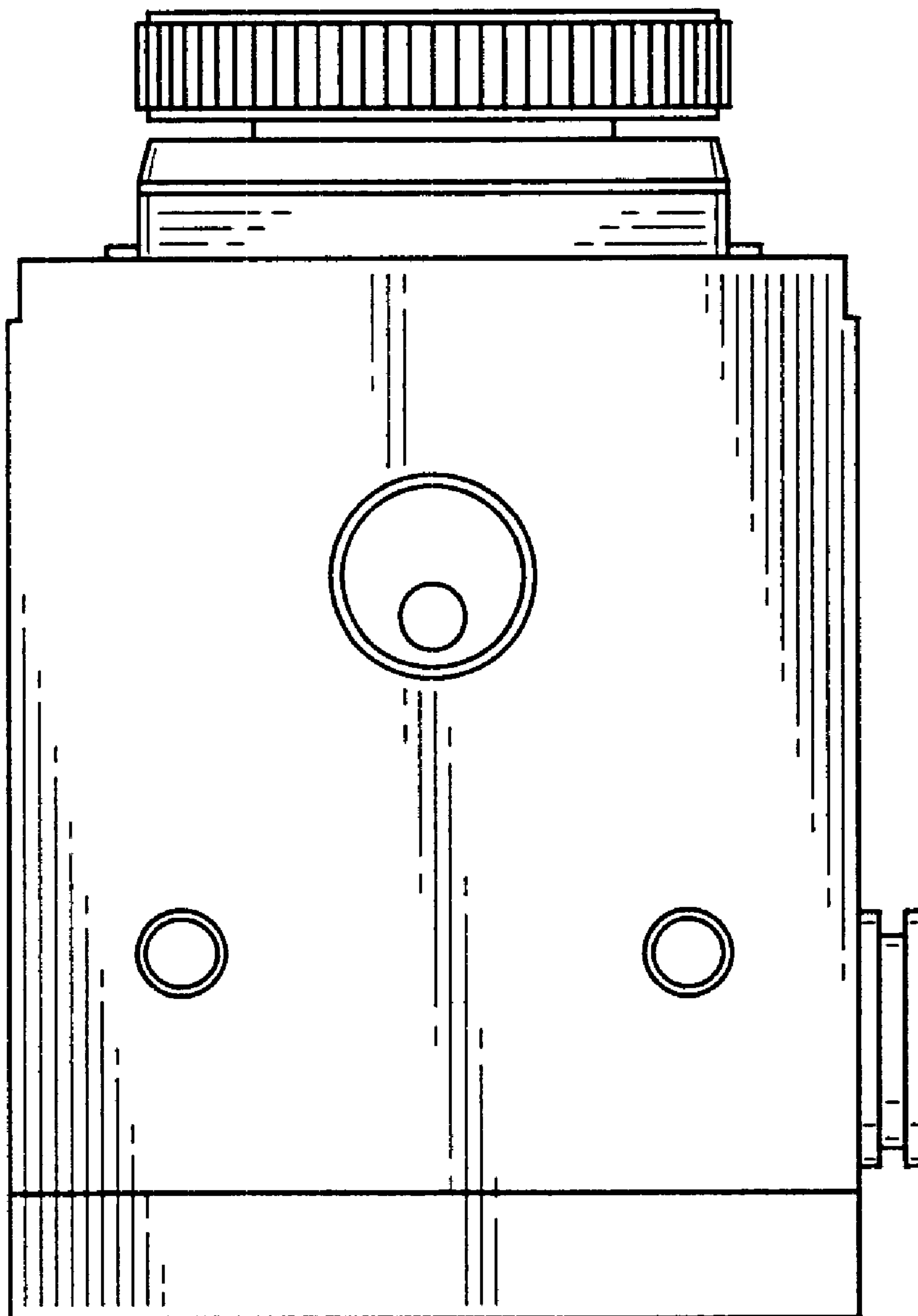


FIG. 6

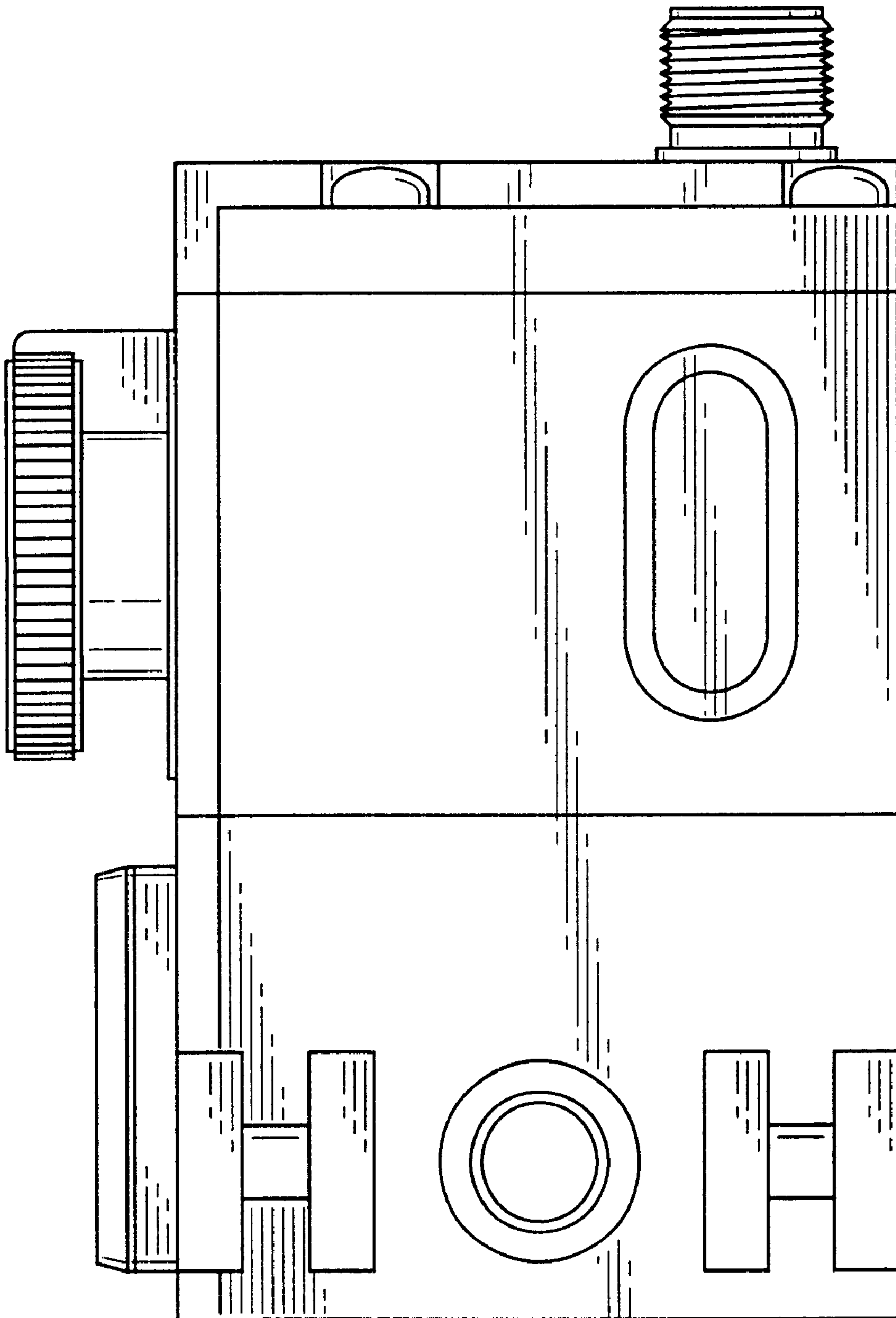


FIG. 7

