



US00D455360S

(12) **United States Design Patent**  
**Stekelenburg**

(10) **Patent No.:** **US D455,360 S**

(45) **Date of Patent:** **\*\* Apr. 9, 2002**

(54) **TIMER**

(75) **Inventor:** **Albert Stekelenburg, Taipei (TW)**

(73) **Assignee:** **All-Time Inc. (TW)**

(\*\*) **Term:** **14 Years**

(21) **Appl. No.:** **29/142,598**

(22) **Filed:** **May 31, 2001**

(51) **LOC (7) Cl.** ..... **10-03**

(52) **U.S. Cl.** ..... **D10/40**

(58) **Field of Search** ..... D10/15, 22, 28,  
D10/40, 41, 75, 123; D13/137.3, 139.1,  
139.3, 139.4; 200/35 H, 35 R, 36, 37 A,  
38 A, 38 B, 38 F, 38 FA, 38 D, 38 DA,  
38 DC, 38 FB, 38 R; 307/141; 368/96,  
97, 98, 99, 100, 107, 108, 109, 110, 112,  
113, 246, 276, 277

(56) **References Cited**

**U.S. PATENT DOCUMENTS**

2,150,633 A \* 3/1939 Rhodes et al. .... 368/100  
D123,471 S \* 11/1940 Brown ..... D10/75

D196,808 S \* 11/1963 Hoff ..... D10/75  
D284,358 S \* 6/1986 Chan ..... D10/40  
D333,099 S \* 2/1993 Hiromori ..... D10/15  
D432,029 S \* 10/2000 Stekelenburg ..... D10/40  
D449,235 S \* 10/2001 Stekelenburg ..... D10/40  
D449,543 S \* 10/2001 Stekelenburg ..... D10/40

\* cited by examiner

*Primary Examiner*—Doris V. Coles  
*Assistant Examiner*—Elizabeth A. Albert  
(74) *Attorney, Agent, or Firm*—Troxell Law Office PLLC

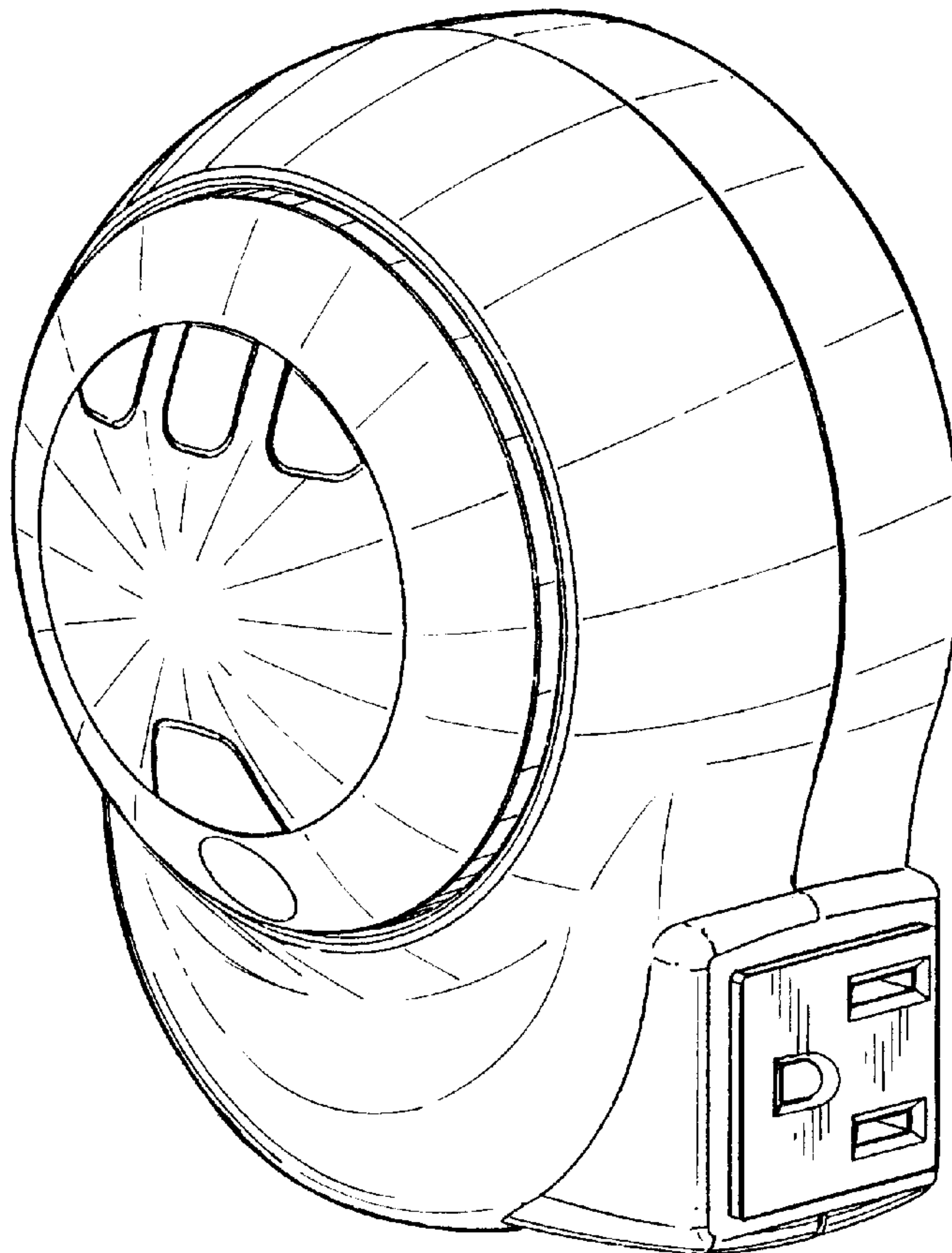
(57) **CLAIM**

The ornamental design for a timer, as shown and described.

**DESCRIPTION**

FIG. 1 is a top view of a timer showing the preferred embodiment of my new design;  
FIG. 2 is a front view thereof;  
FIG. 3 is a right side elevational view thereof;  
FIG. 4 is a left side elevational view thereof;  
FIG. 5 is a rear view thereof;  
FIG. 6 is a bottom view thereof; and,  
FIG. 7 is a perspective view thereof.

**1 Claim, 3 Drawing Sheets**



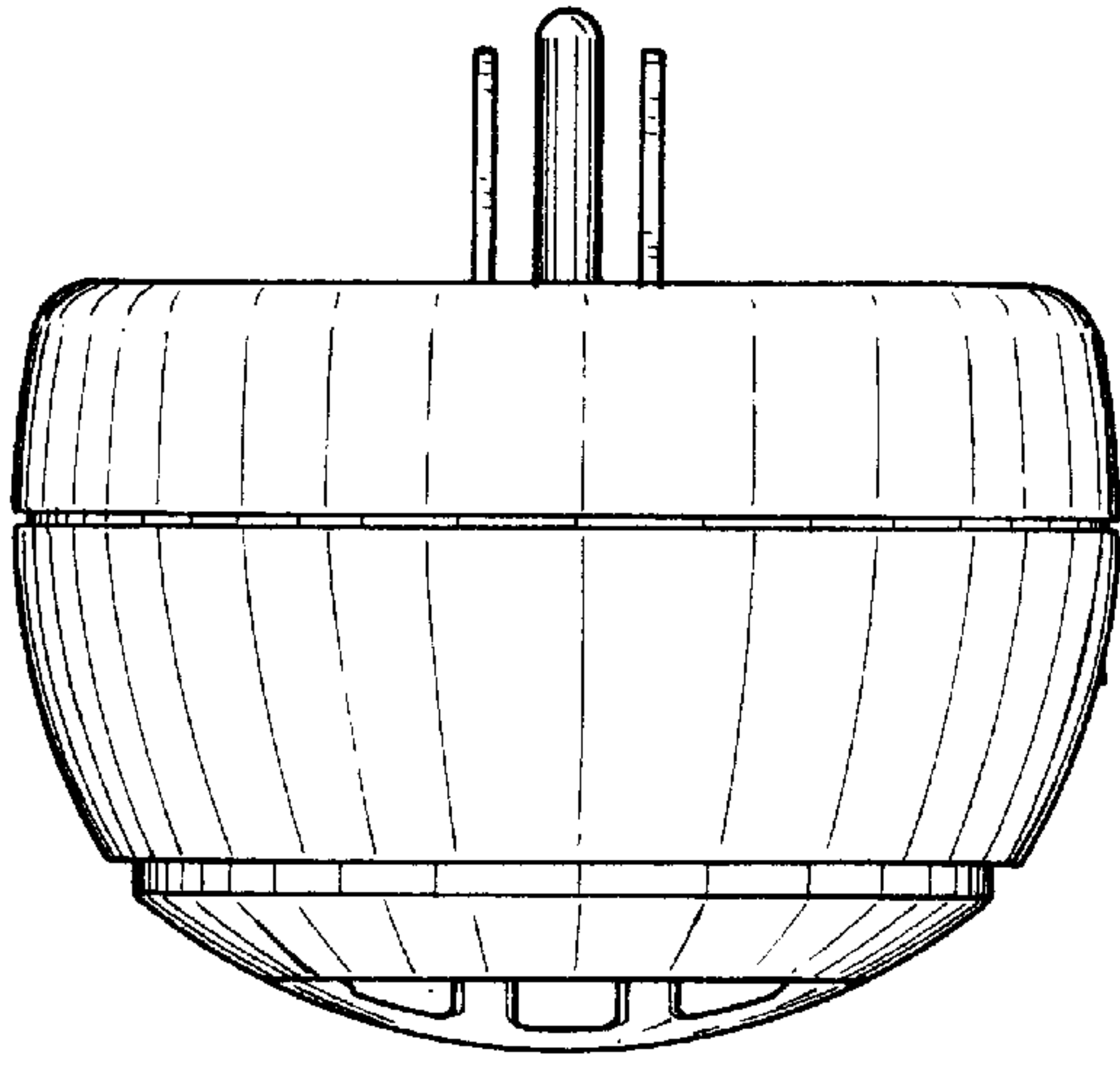


FIG. 1

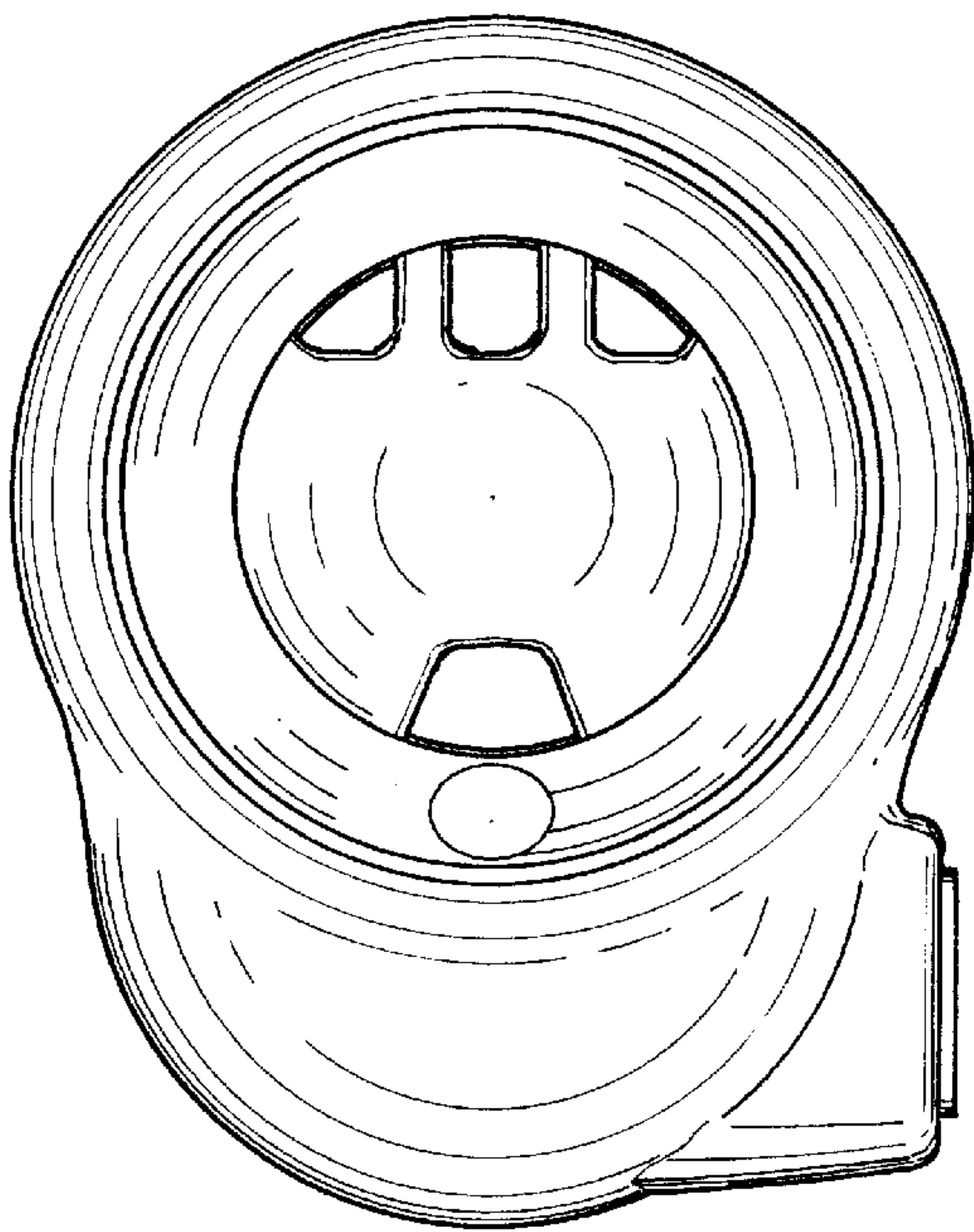


FIG. 2

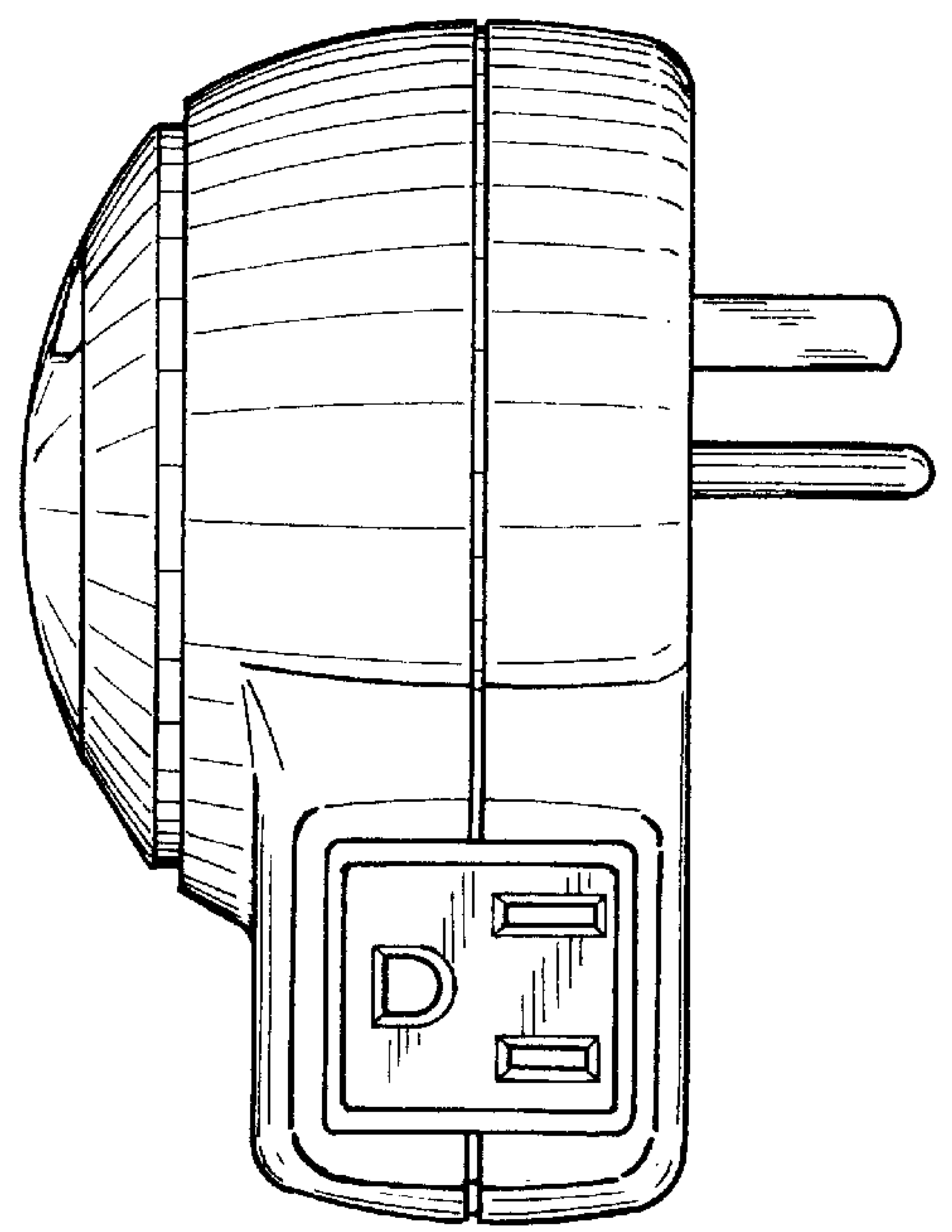


FIG. 3

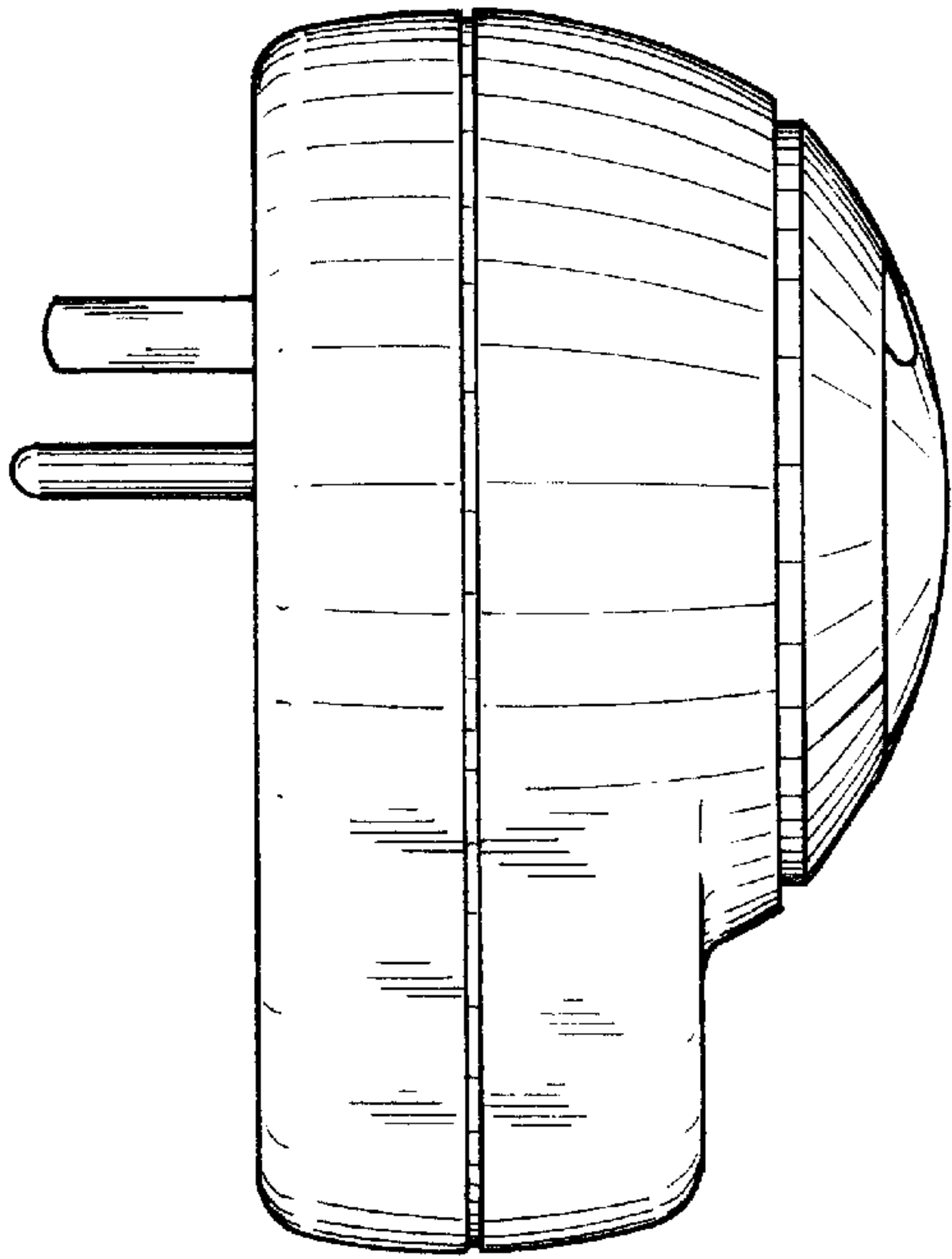


FIG. 4

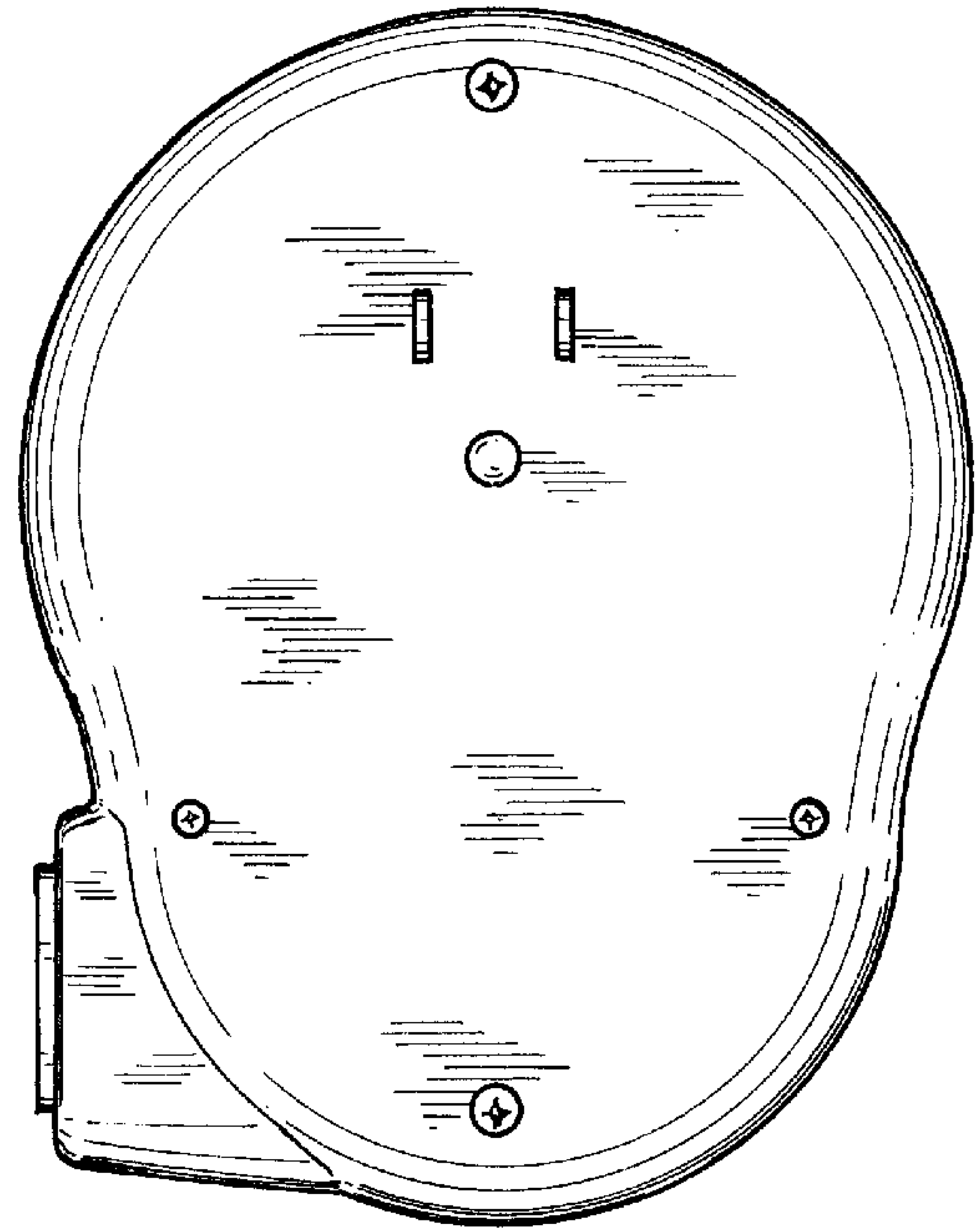


FIG. 5

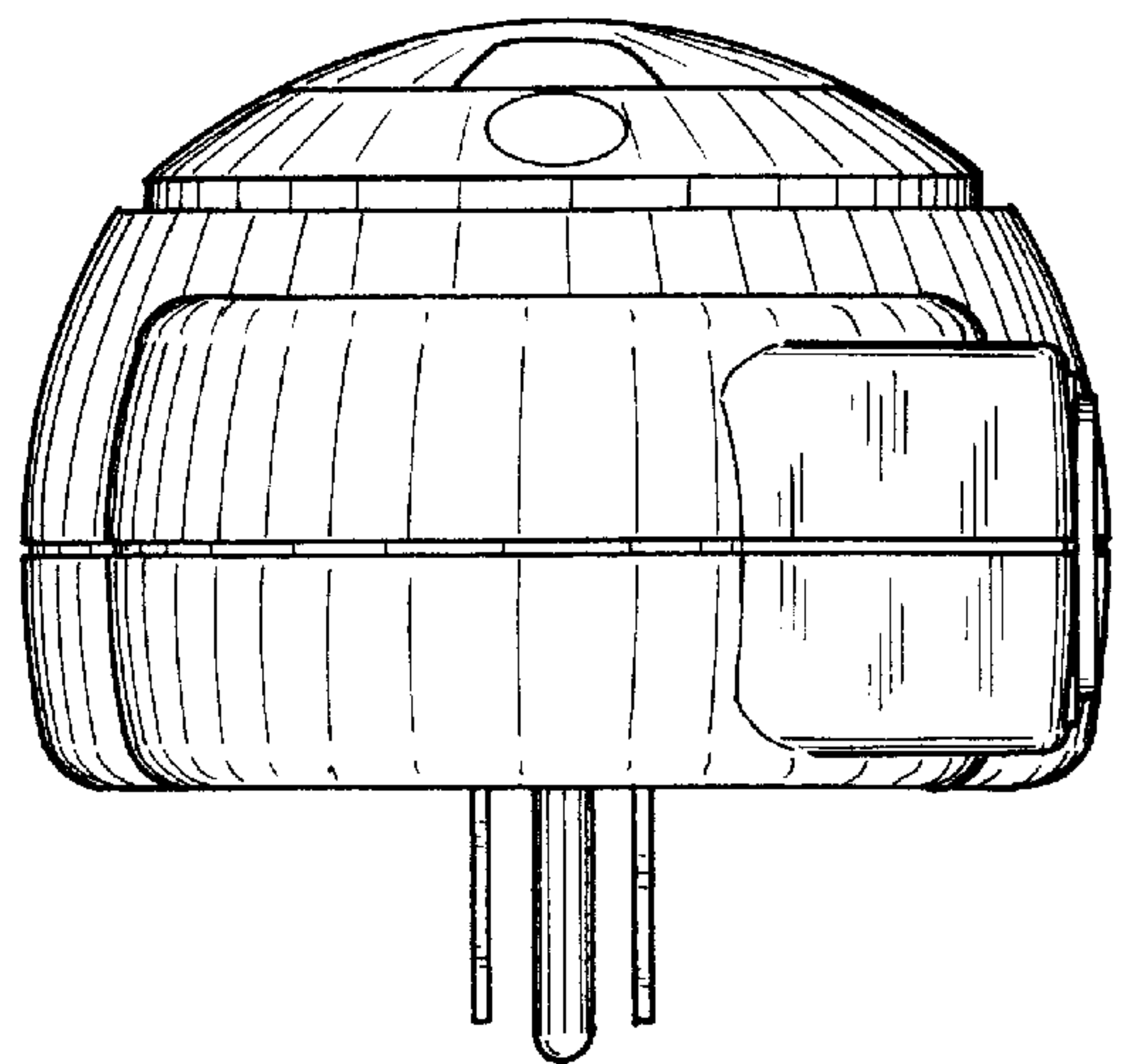


FIG. 6

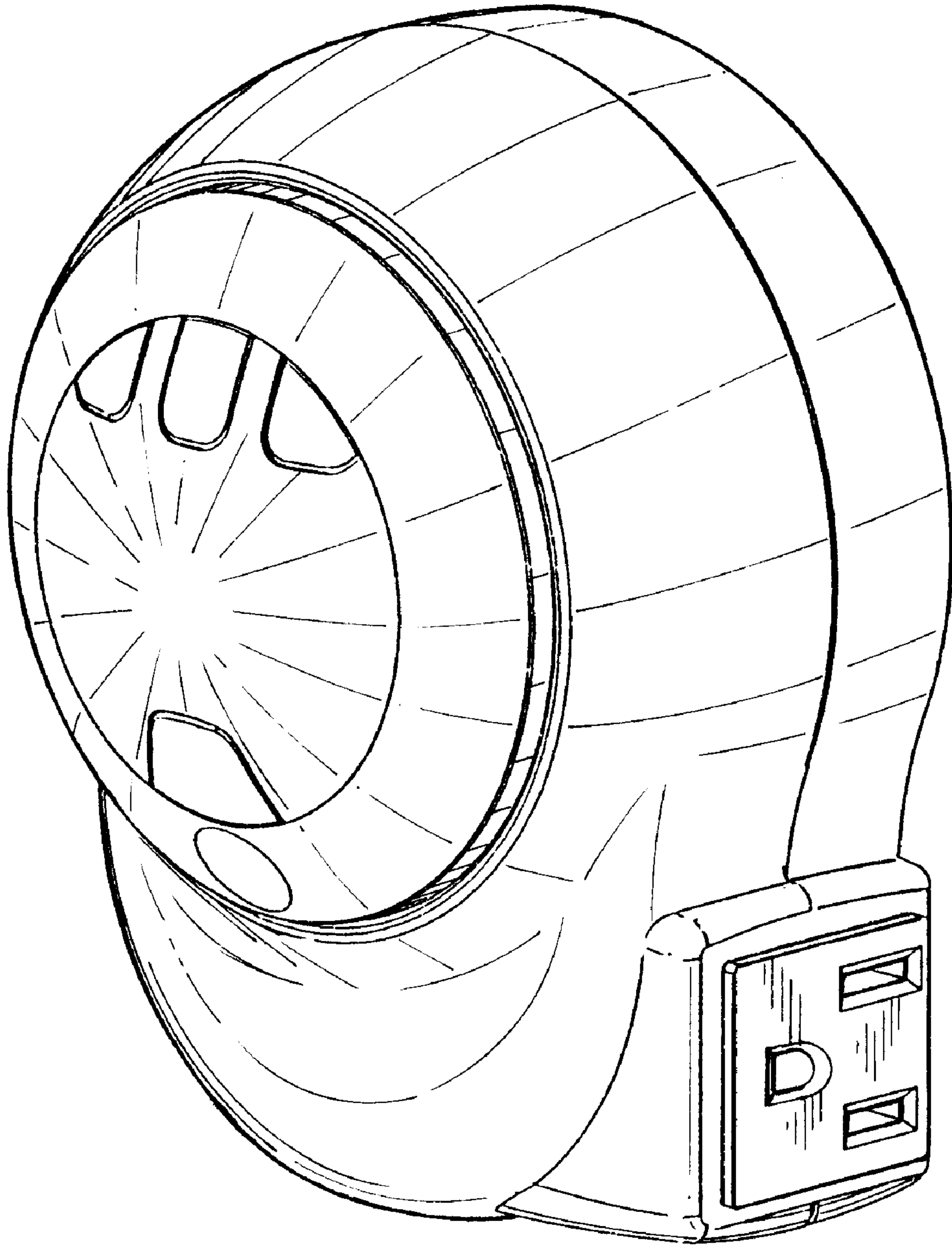


FIG. 7