



US00D455356S

(12) **United States Design Patent**  
**Saffer**

(10) **Patent No.:** **US D455,356 S**

(45) **Date of Patent:** **\*\* Apr. 9, 2002**

(54) **WATCH**

(76) **Inventor:** **Rainer Saffer**, Kunigundenstrasse 16,  
München (DE), D 80802

(\*\*) **Term:** **14 Years**

(21) **Appl. No.:** **29/125,120**

(22) **Filed:** **Jun. 19, 2000**

(51) **LOC (7) Cl.** ..... **10-02**

(52) **U.S. Cl.** ..... **D10/32**

(58) **Field of Search** ..... D10/1-39, 122-132;  
368/276-277, 285, 223, 232, 281-282,  
239-242; D11/3-25; 63/1-11

(56) **References Cited**

**U.S. PATENT DOCUMENTS**

- 2,402,014 A \* 6/1946 Boeck ..... 368/240 X
- 2,949,005 A \* 8/1960 Brault ..... 368/232
- 3,793,824 A \* 2/1974 Simon-Vermot et al. .... 368/232
- 4,007,583 A \* 2/1977 Johnson ..... 368/29

- 4,702,615 A \* 10/1987 Havel ..... 368/82
- 5,204,846 A \* 4/1993 Brahaney ..... 368/228
- D421,921 S \* 3/2000 Giardiello ..... D10/39

\* cited by examiner

*Primary Examiner*—Nelson C. Holtje

(74) *Attorney, Agent, or Firm*—Nixon Peabody LLP

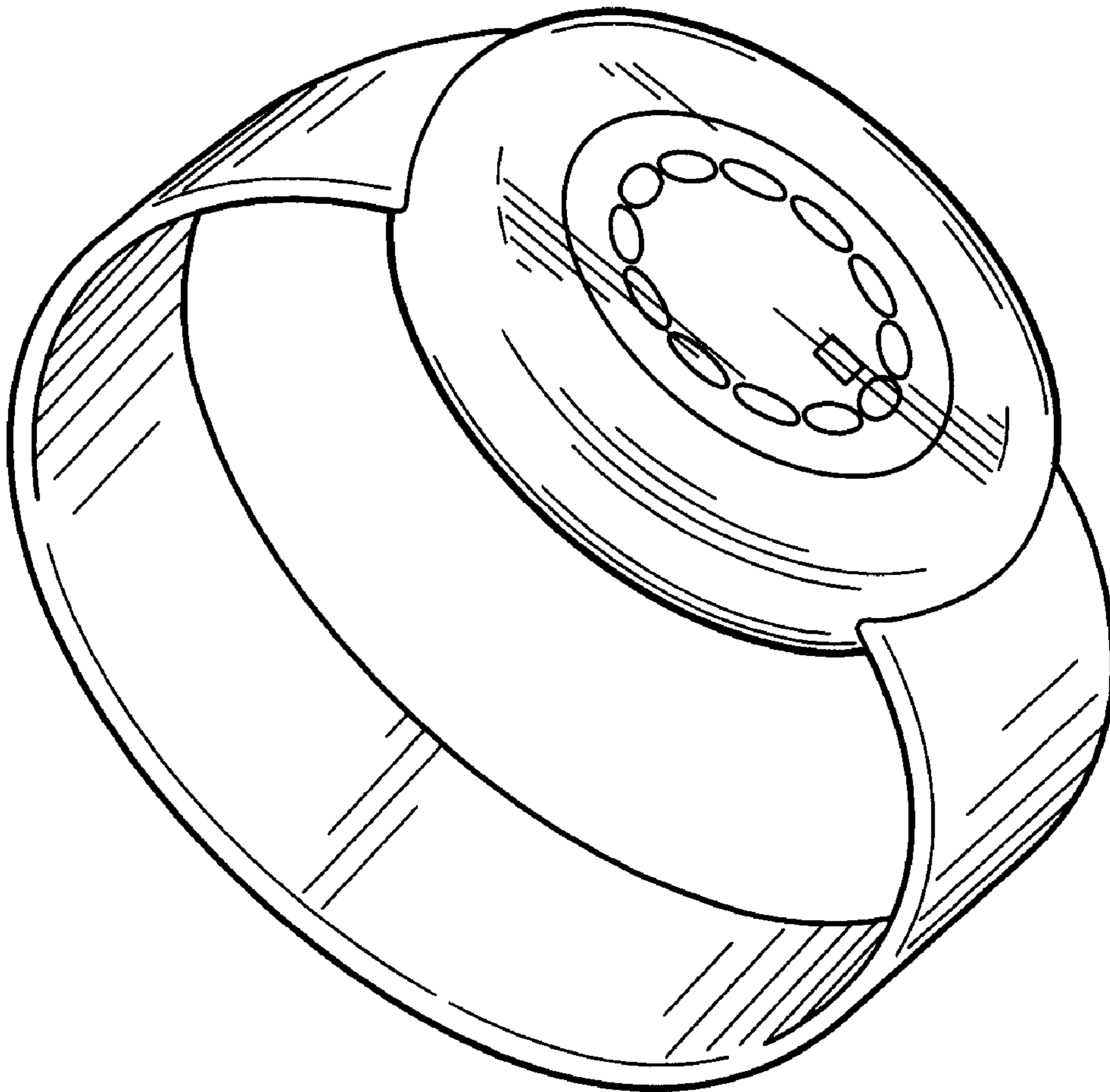
(57) **CLAIM**

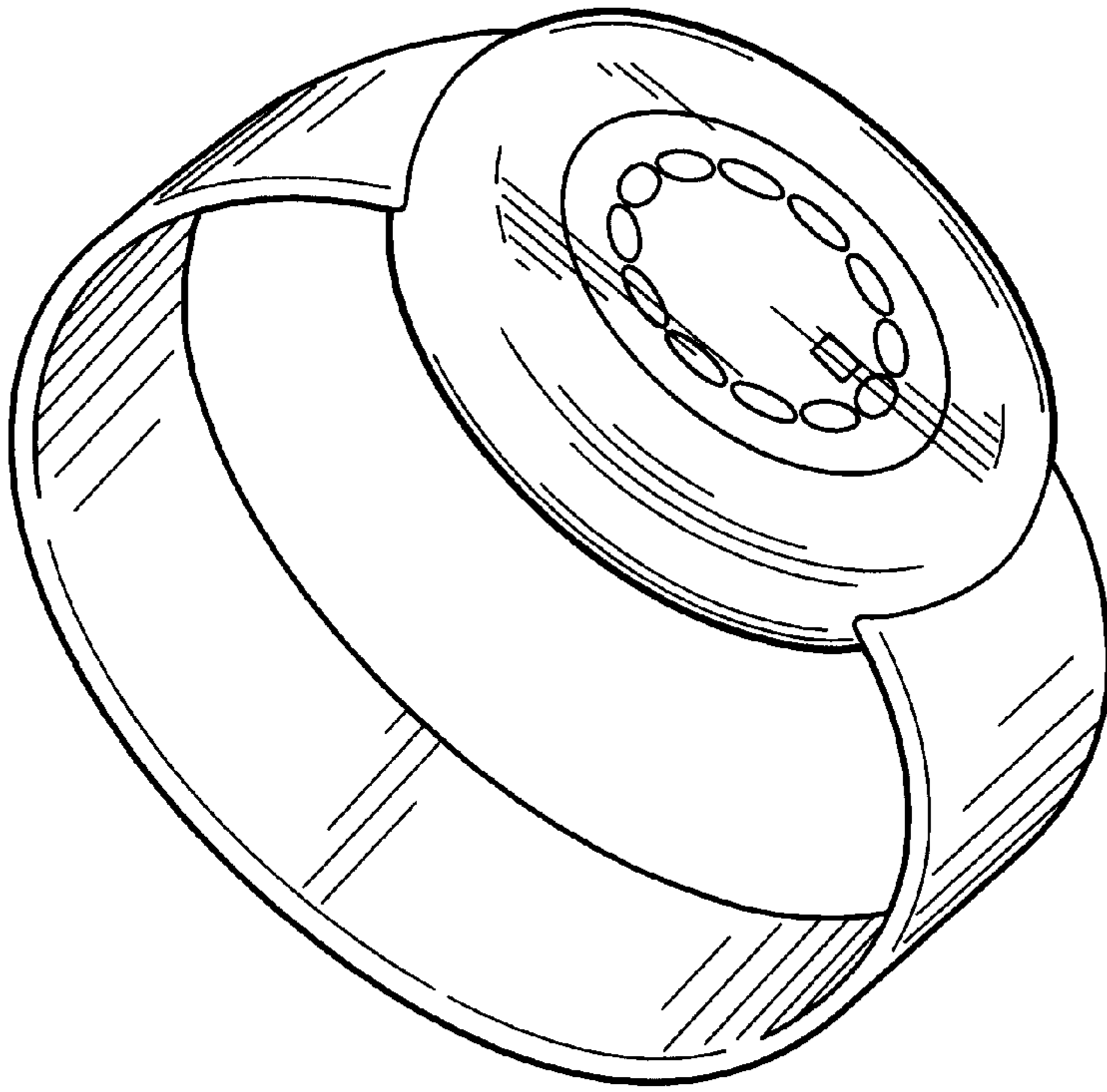
The ornamental design for a watch, as shown.

**DESCRIPTION**

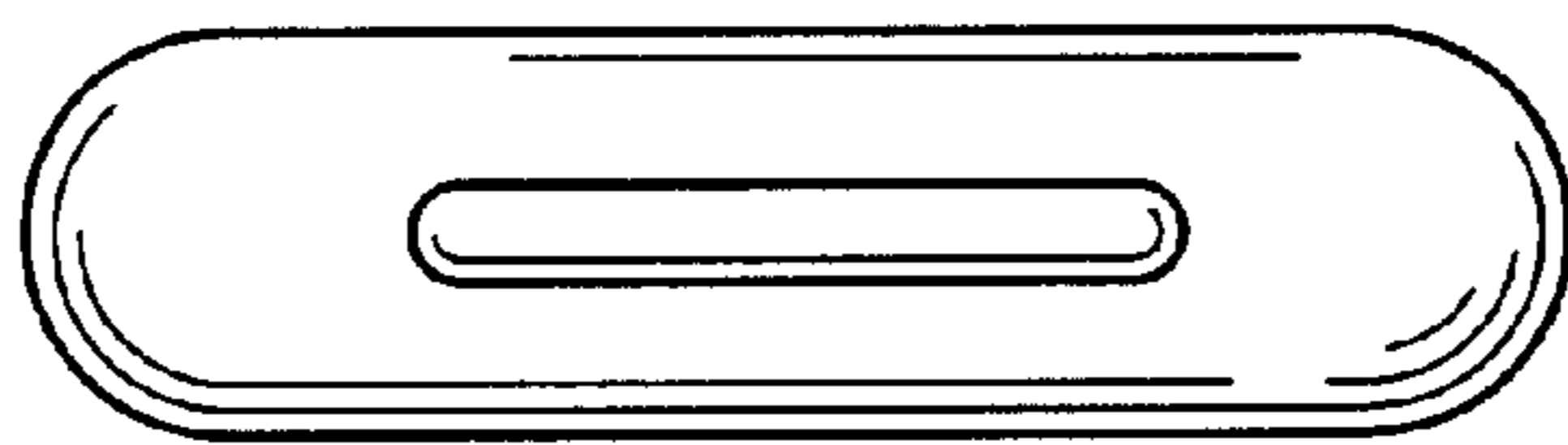
FIG. 1 is a perspective view of a watch embody my design;  
 FIG. 2 is a top view of the watch;  
 FIG. 3 is a bottom view of the watch;  
 FIG. 4 is a right side view of the watch, the left side view  
 is symmetrical to the right side view and thus is not shown;  
 and,  
 FIG. 5 is a front view of the watch, the back view is  
 symmetrical to the front view and thus is not shown.

**1 Claim, 2 Drawing Sheets**

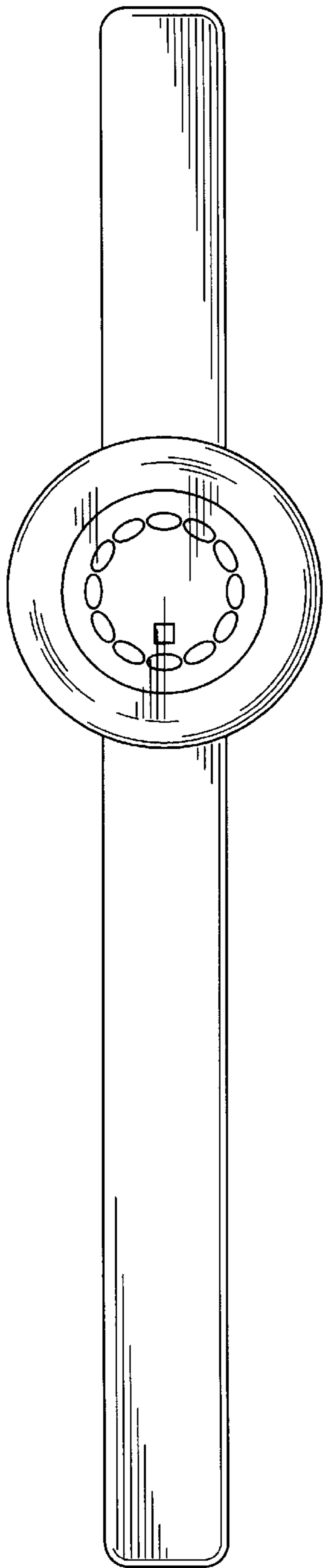




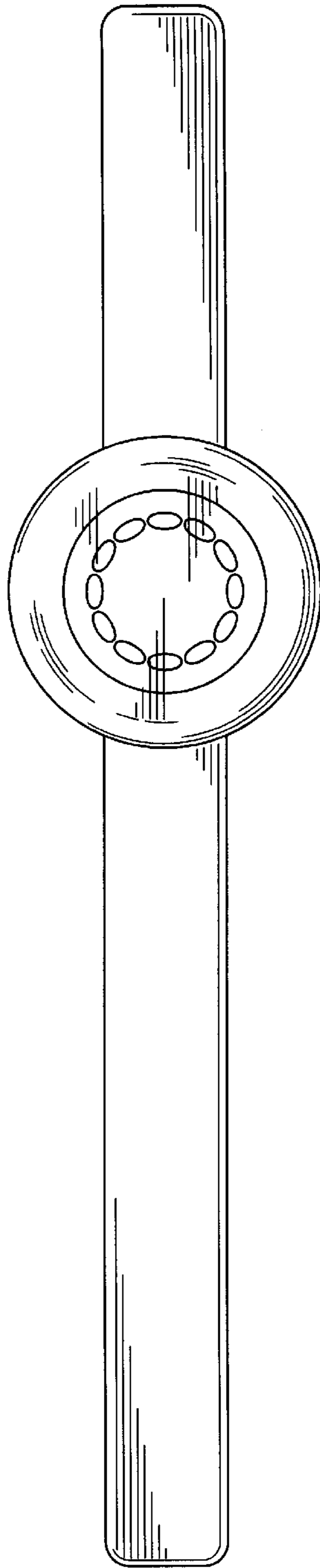
**FIG. 1**



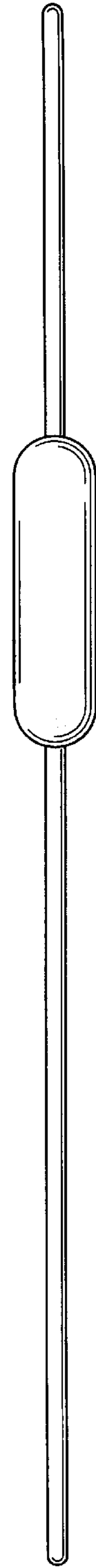
**FIG. 5**



**FIG. 2**



**FIG. 3**



**FIG. 4**