



US00D455348S

(12) **United States Design Patent**
Fludd

(10) **Patent No.:** **US D455,348 S**

(45) **Date of Patent:** **** Apr. 9, 2002**

(54) **CARRYING HANDLE FOR PLASTIC BAGS**

D441,653 S * 5/2001 LeRoux D9/434
D448,665 S * 10/2001 Lenczowski D9/434

(76) Inventor: **Harold J. Fludd**, 505 Central Ave.,
Apt. 410, White Plains, NY (US) 10606

* cited by examiner

(**) Term: **14 Years**

Primary Examiner—Dominic Simone
(74) *Attorney, Agent, or Firm*—Robert J. Bird

(21) Appl. No.: **29/139,905**

(57) **CLAIM**

(22) Filed: **Apr. 9, 2001**

The ornamental design for a carrying handle for plastic bags,
as shown and described.

(51) **LOC (7) Cl.** **09-07**

(52) **U.S. Cl.** **D9/455; D9/434**

(58) **Field of Search** D9/434, 455; 294/137,
294/146, 159, 171, 902

DESCRIPTION

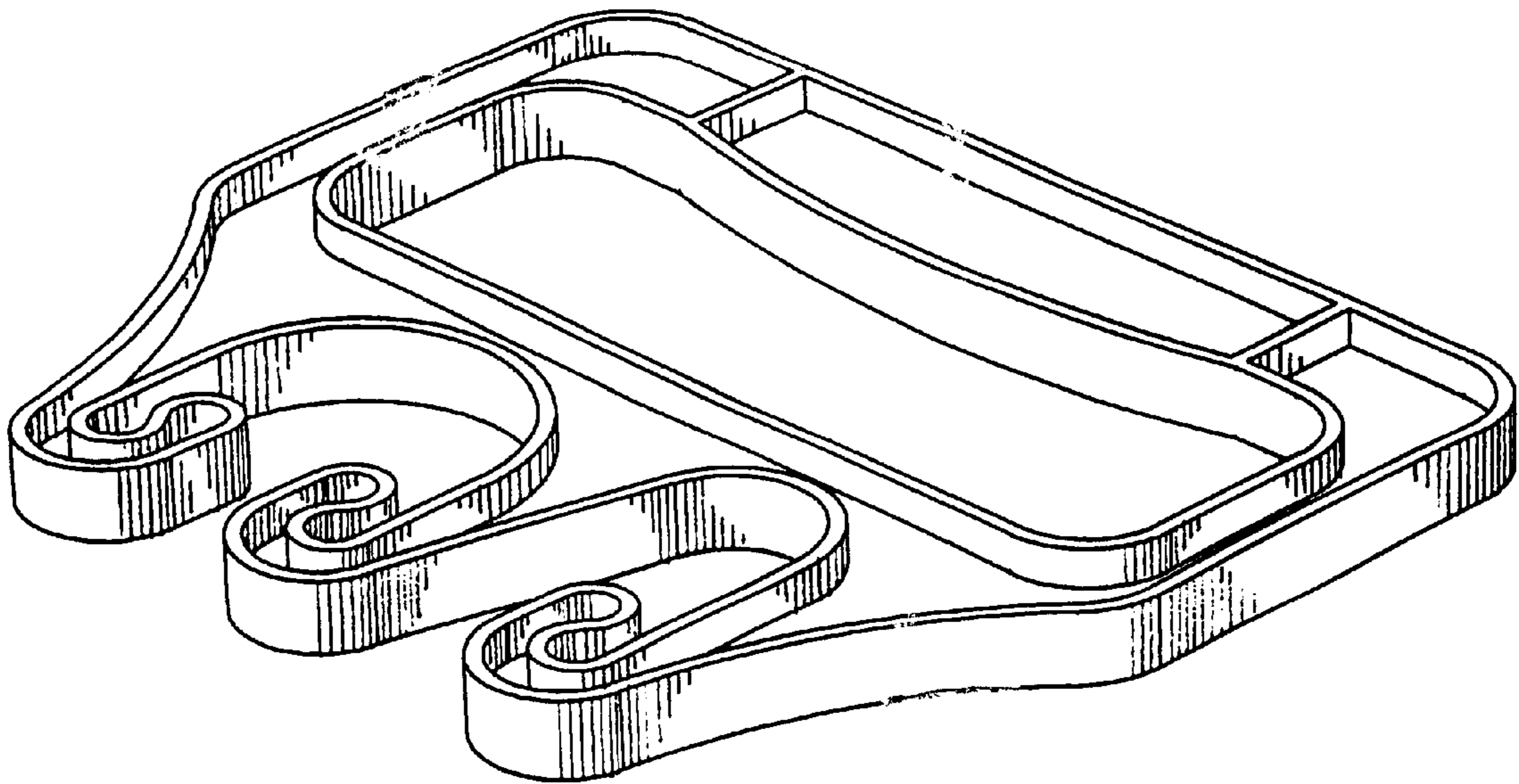
FIG. 1 is a three-dimensional pictorial view of a carrying
handle for plastic bags, according to my design; and,
FIG. 2 is a top view of the carrying handle shown in FIG. 1.
The bottom of the carrying handle is a mirror image of FIG.
2, and therefore is not shown.

(56) **References Cited**

U.S. PATENT DOCUMENTS

4,023,762 A * 5/1977 Batts et al. D9/455 X
D314,150 S * 1/1991 Preciutti D9/455
D417,393 S * 12/1999 DiMeo et al. D9/434

1 Claim, 1 Drawing Sheet



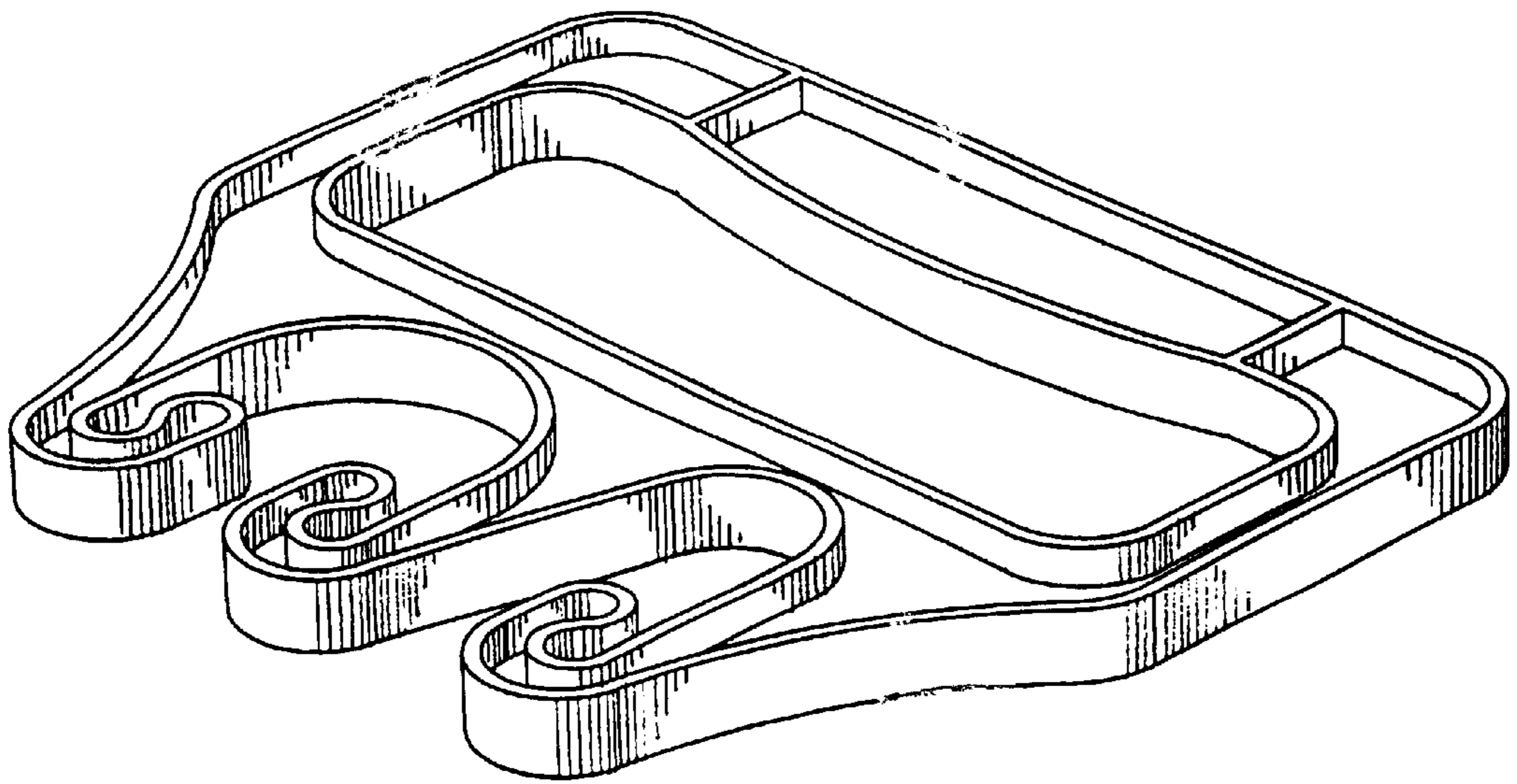


FIG. 1

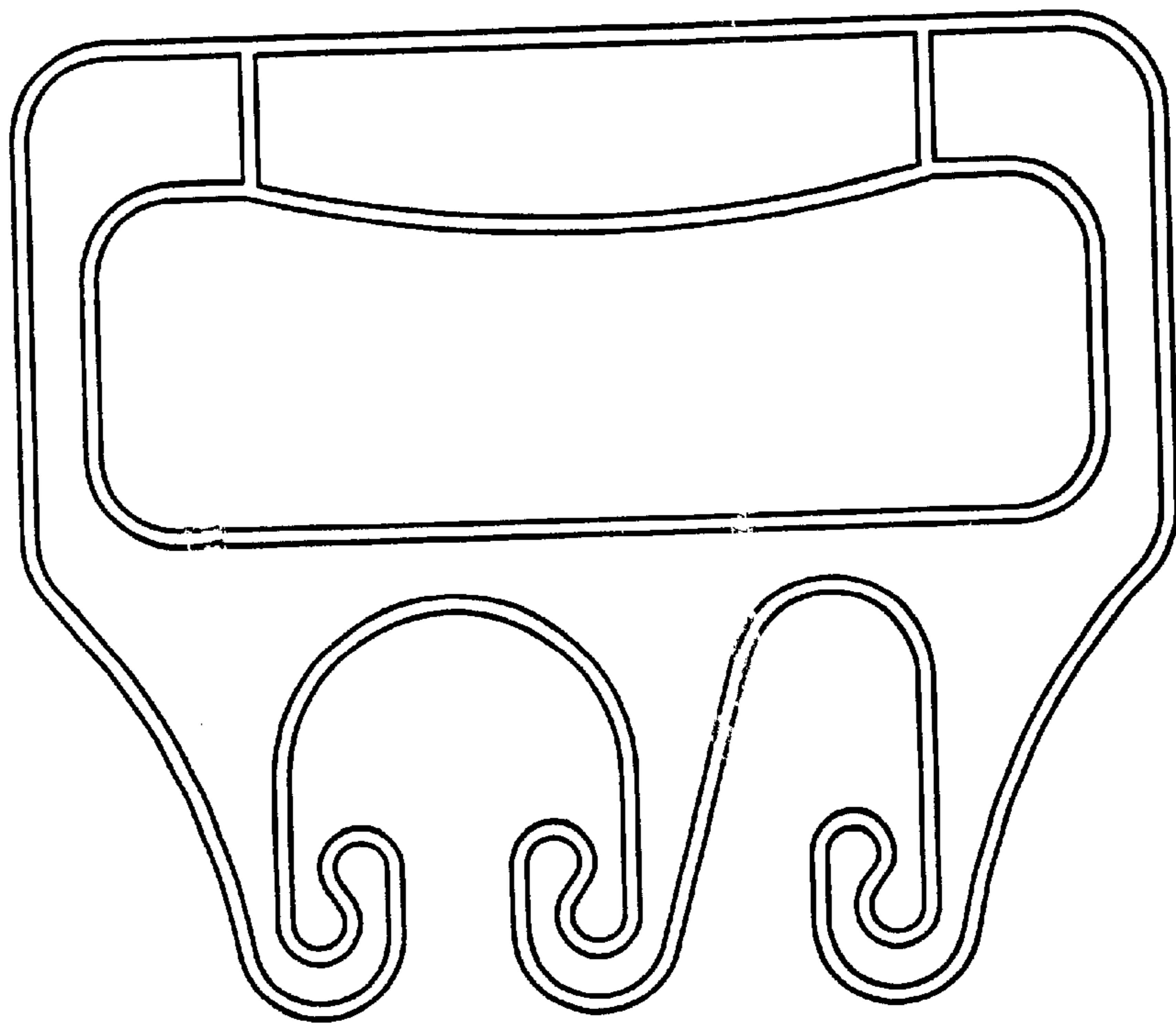


FIG. 2