



US00D455345S

(12) **United States Design Patent**
Assargren et al.

(10) **Patent No.:** **US D455,345 S**

(45) **Date of Patent:** **** Apr. 9, 2002**

- (54) **BLISTER PACK**
- (75) Inventors: **Christian Assargren**, Bromma; **Claes Friberg**, Haninge, both of (SE)
- (73) Assignee: **AstraZeneca AB**, Sodertalje (SE)
- (**) Term: **14 Years**
- (21) Appl. No.: **29/139,838**
- (22) Filed: **Apr. 6, 2001**

D207,676 S	5/1967	Walter	D9/345
3,743,084 A	7/1973	Douglas	206/532
4,340,141 A	7/1982	Fischer	206/531
D320,930 S	10/1991	Richards	D9/345
5,109,984 A	* 5/1992	Romick	206/531
5,323,907 A	* 6/1994	Kalvelage	206/531
5,346,069 A	* 9/1994	Intini	206/531
D359,900 S	7/1995	Hawthorne	D9/346
D387,977 S	12/1997	Kallgren	D9/348
D414,106 S	9/1999	Anderson	D9/341

* cited by examiner

Related U.S. Application Data

- (62) Division of application No. 29/064,406, filed on Dec. 31, 1996, now Pat. No. Des. 444,379.

(30) **Foreign Application Priority Data**

Jul. 1, 1996	(SE)	96-1470
Jul. 1, 1996	(SE)	96-1471
Jul. 1, 1996	(SE)	96-1475
Jul. 1, 1996	(SE)	96-1479
Jul. 1, 1996	(SE)	96-1480
Jul. 1, 1996	(SE)	961472
Jul. 1, 1996	(SE)	961473

- (51) **LOC (7) Cl.** **09-03**
- (52) **U.S. Cl.** **D9/345**
- (58) **Field of Search** D9/339, 341, 345-348, D9/433; 206/469, 528-532, 538-539, 820, 828

(56) **References Cited**

U.S. PATENT DOCUMENTS

3,033,355 A	5/1962	Sickle	206/539
-------------	--------	--------	-------	---------

Primary Examiner—Nanda Bondade
(74) *Attorney, Agent, or Firm*—White & Case LLP

(57) **CLAIM**

The ornamental design for a blister pack, as shown.

DESCRIPTION

FIG. 1 is a top plan view of a blister back in folded condition showing our new design;
 FIG. 2 is a right side elevational view thereof;
 FIG. 3 is a left side elevational view thereof;
 FIG. 4 is a front elevational view thereof;
 FIG. 5 is a rear elevational view thereof;
 FIG. 6 is a bottom plan view thereof;
 FIG. 7 is a top perspective view thereof;
 FIG. 8 is a bottom perspective view thereof; and,
 FIG. 9 is a top perspective view thereof, with the blister pack in unfolded condition.

1 Claim, 2 Drawing Sheets

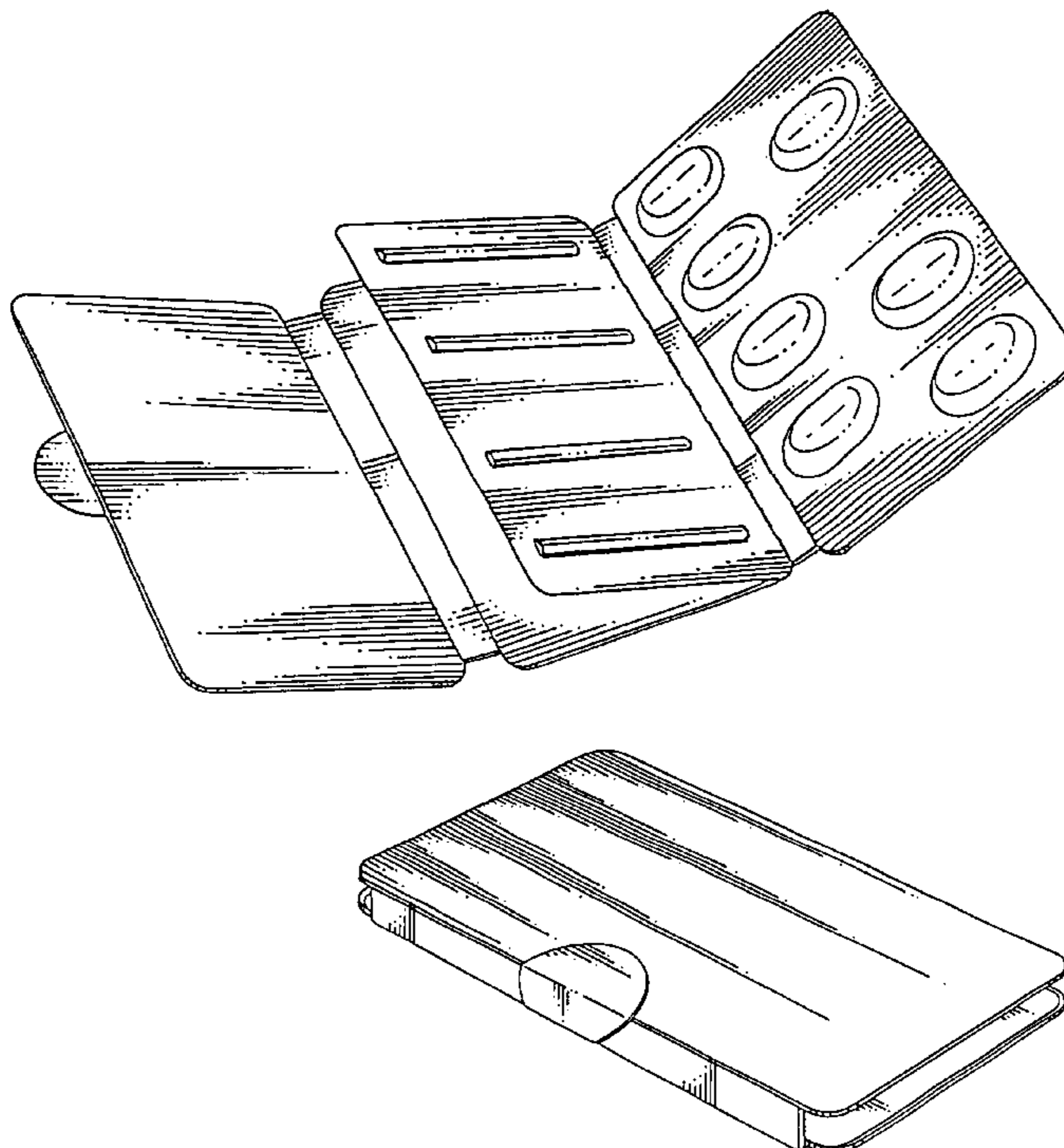


FIG. 6

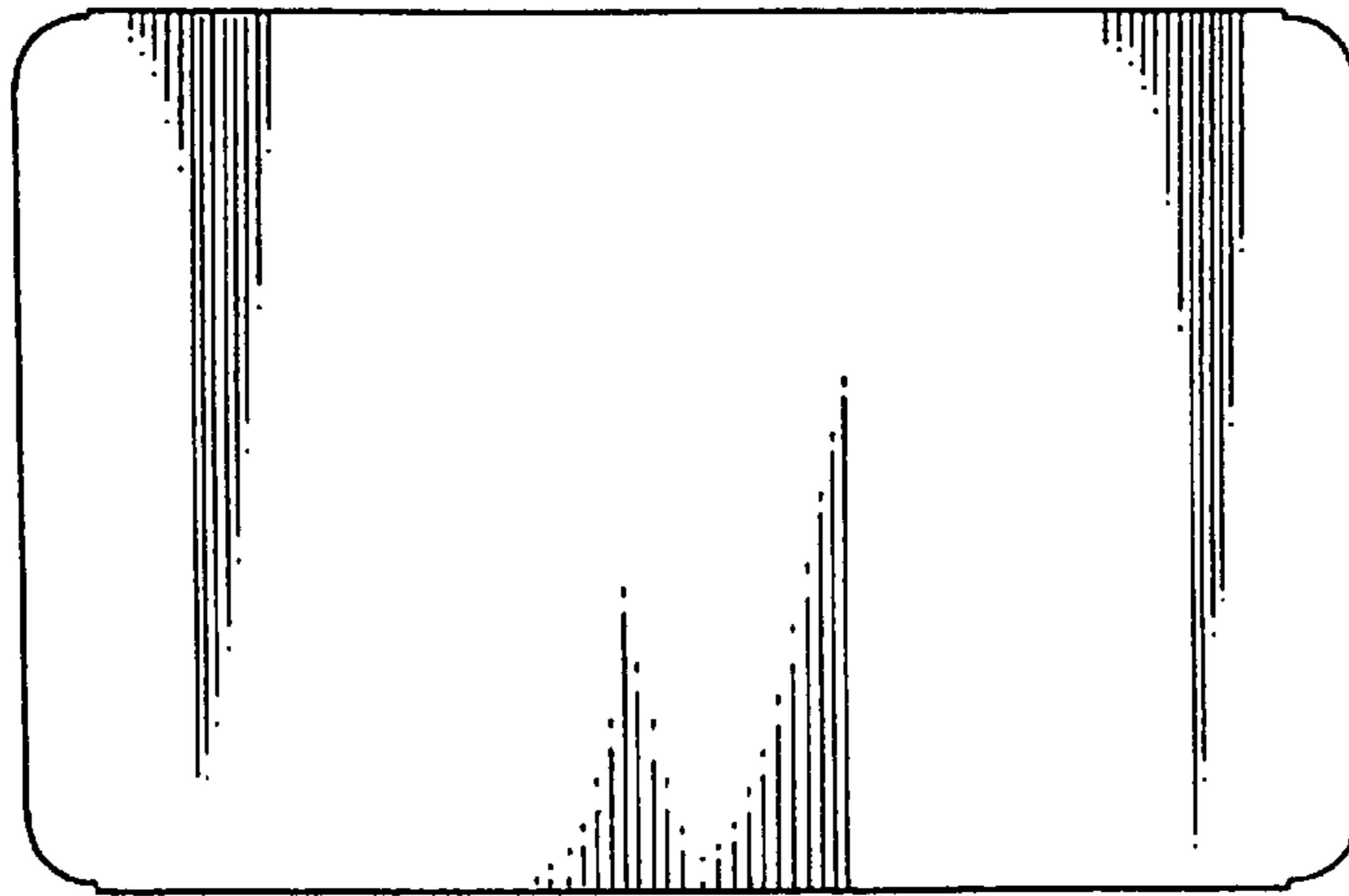


FIG. 5

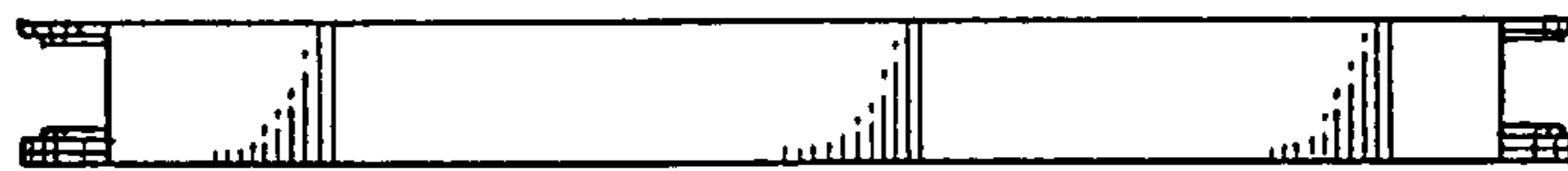


FIG. 2

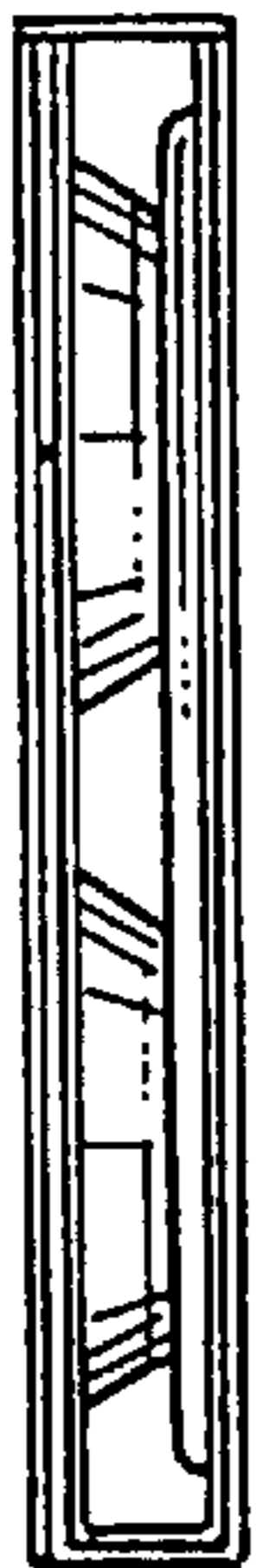


FIG. 1

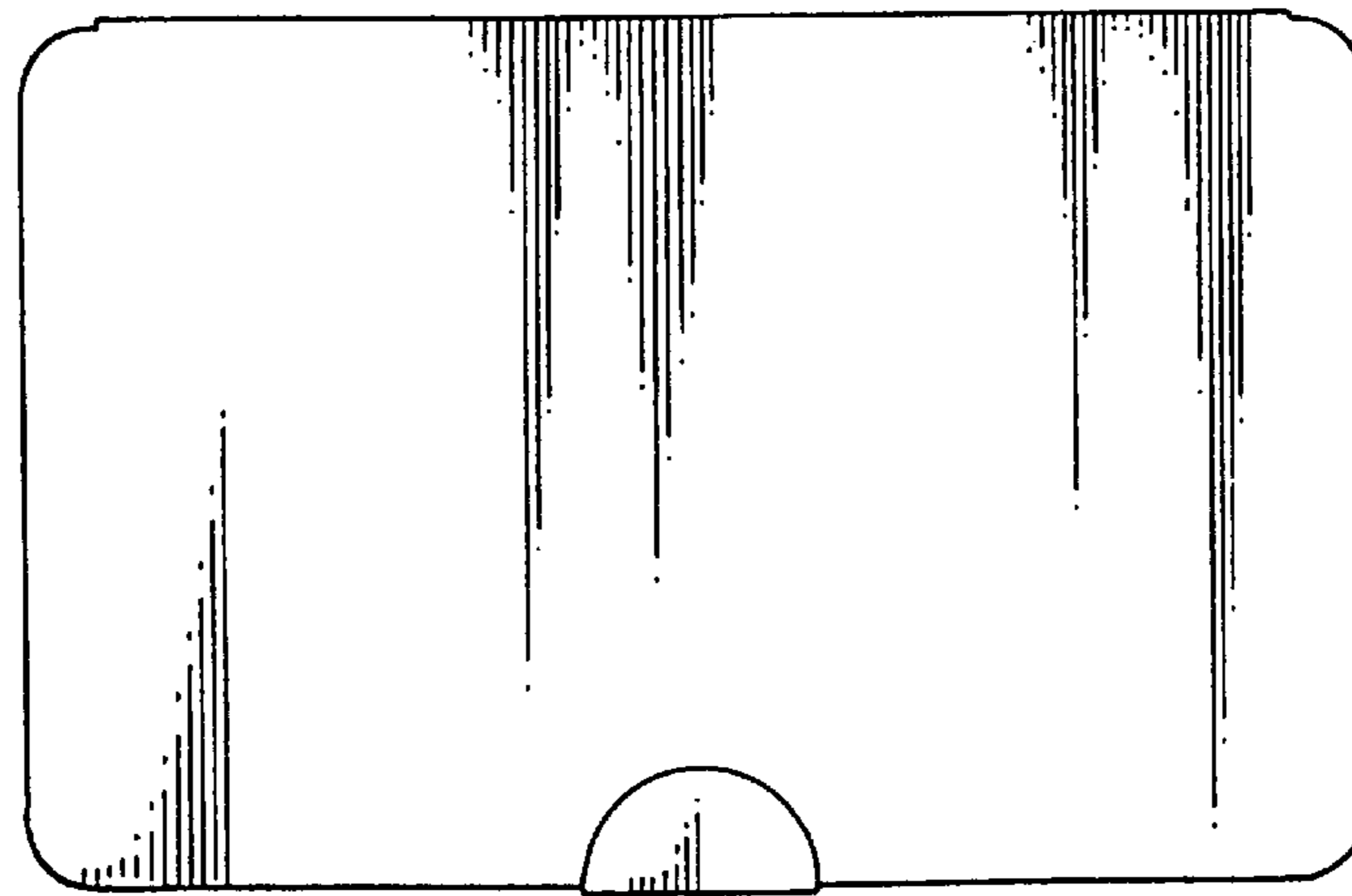


FIG. 3



FIG. 4



FIG. 7

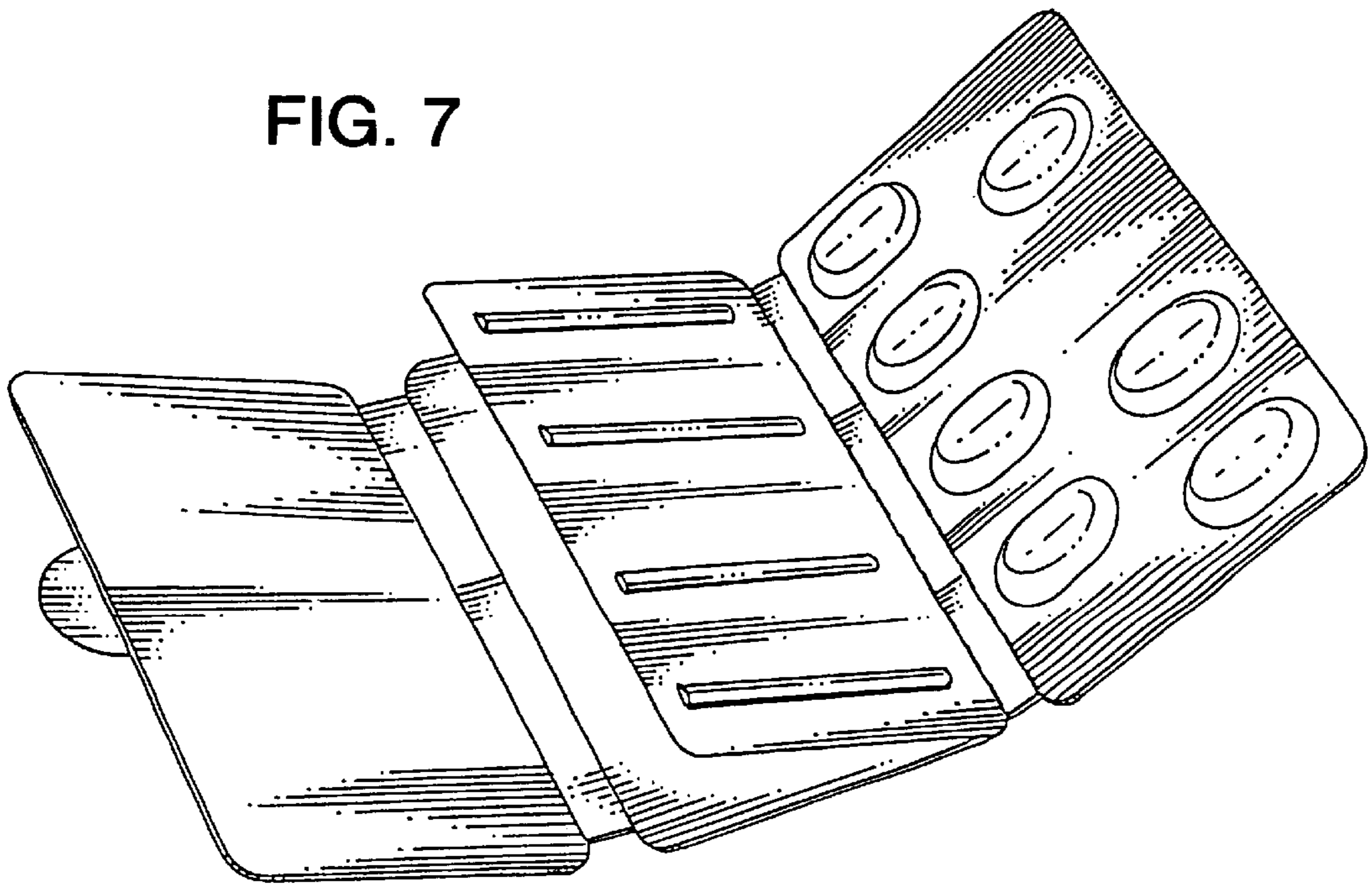


FIG. 8

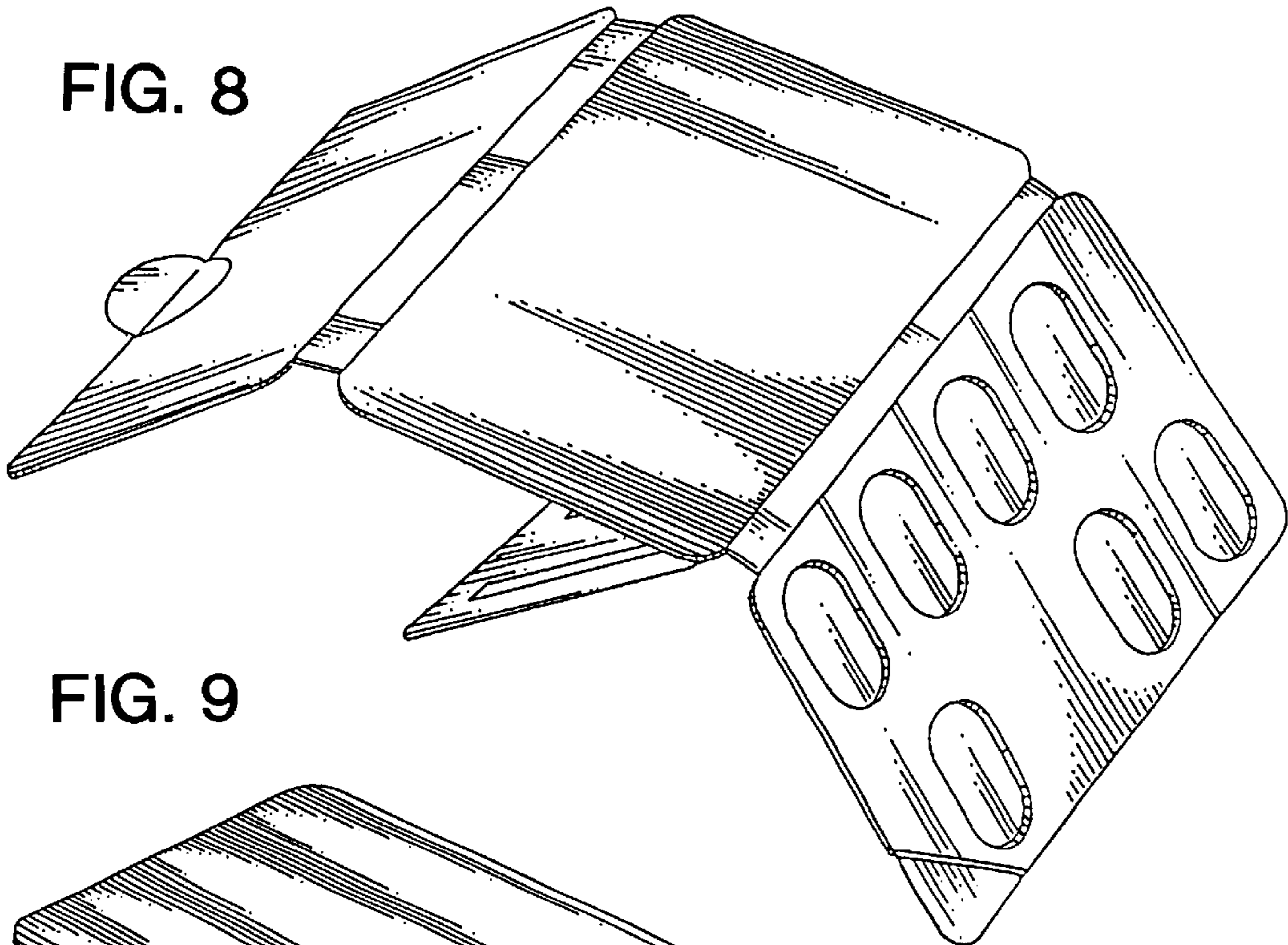


FIG. 9

