



US00D455343S

(12) **United States Design Patent**
Gatti

(10) **Patent No.:** **US D455,343 S**

(45) **Date of Patent:** **** Apr. 9, 2002**

(54) **PERFUME BOTTLE**

(75) Inventor: **Angelo Gatti**, Biassono (IT)

(73) Assignee: **Micys Company S.p.A.**, Milan (IT)

(**) Term: **14 Years**

(21) Appl. No.: **29/135,014**

(22) Filed: **Jan. 4, 2001**

(30) **Foreign Application Priority Data**

Jul. 2, 2000 (IT) MI0000471

(51) **LOC (7) Cl.** **09-01**

(52) **U.S. Cl.** **D9/336**

(58) **Field of Search** D9/307, 335, 336;
D11/117, 144, 146, 152; 428/24-26; 206/457;
215/382-384

(56) **References Cited**

U.S. PATENT DOCUMENTS

D318,797 S	*	8/1991	Cohen	D9/336
D390,105 S	*	2/1998	Lalique	D9/336
D398,840 S	*	9/1998	Gatti	D9/336
D405,359 S	*	2/1999	Thierry et al.	D9/336

* cited by examiner

Primary Examiner—Terry A. Wallace

(74) *Attorney, Agent, or Firm*—Steinberg & Raskin, P.C.

(57) **CLAIM**

I claim the ornamental design for a perfume bottle, as shown and described.

DESCRIPTION

FIG. 1 is a perspective of the perfume bottle according to the present invention;

FIG. 2 is a top plan view of the perfume bottle as shown in FIG. 1;

FIG. 3 is a left side view of the perfume bottle as shown in FIG. 1;

FIG. 4 is a right side view of the perfume bottle as shown in FIG. 1;

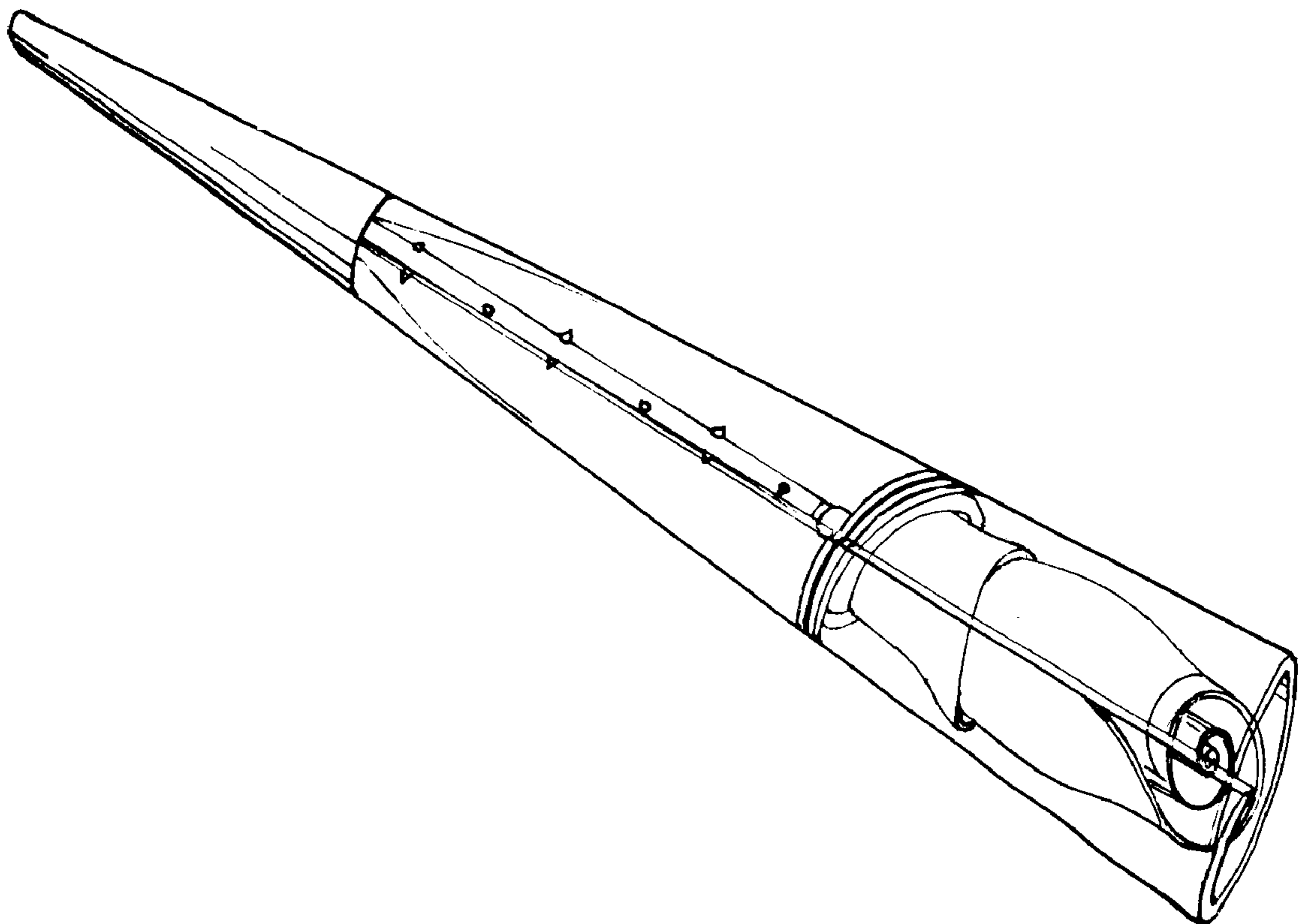
FIG. 5 is a front side view of the perfume bottle as shown in FIG. 1;

FIG. 6 is a rear side view of the perfume bottle as shown in FIG. 1;

FIG. 7 is a bottom plan view of the perfume bottle as shown in FIG. 1; and,

FIG. 8 is an exploded perspective view of the perfume bottle shown with the cap portion removed from the body portion thereof.

1 Claim, 3 Drawing Sheets



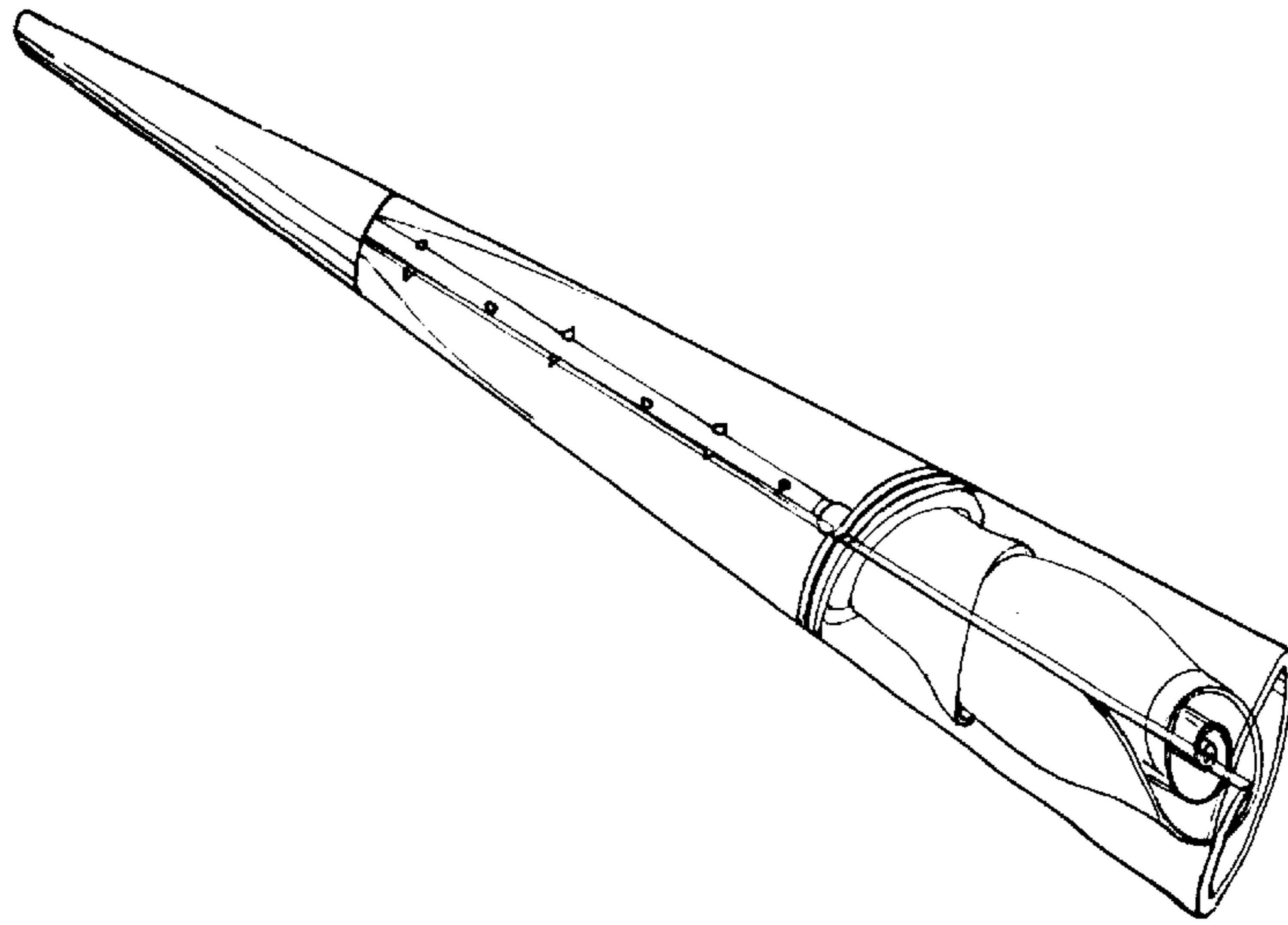


FIG. 1

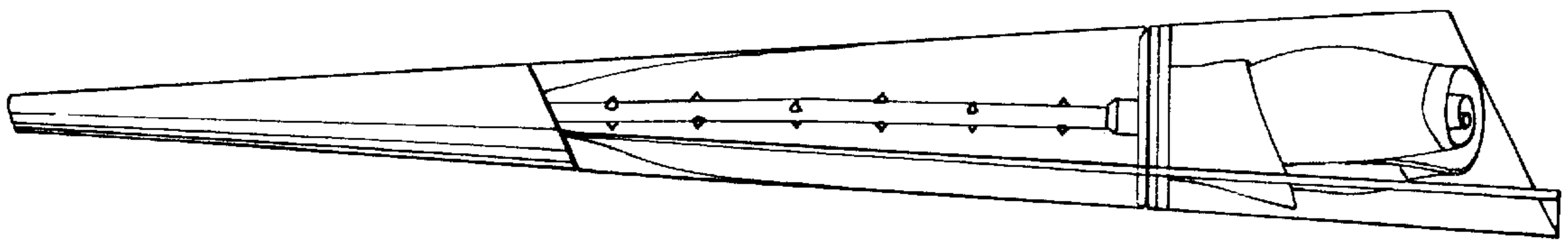


FIG. 2

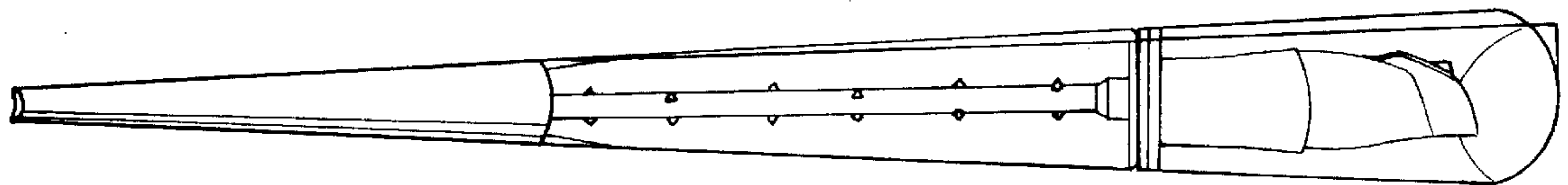


FIG. 3

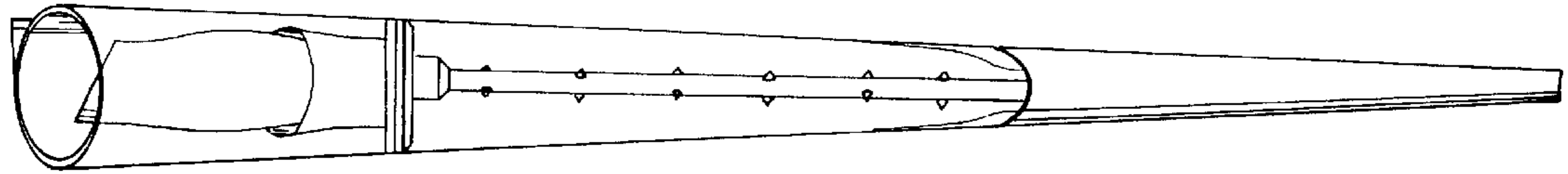


FIG. 4

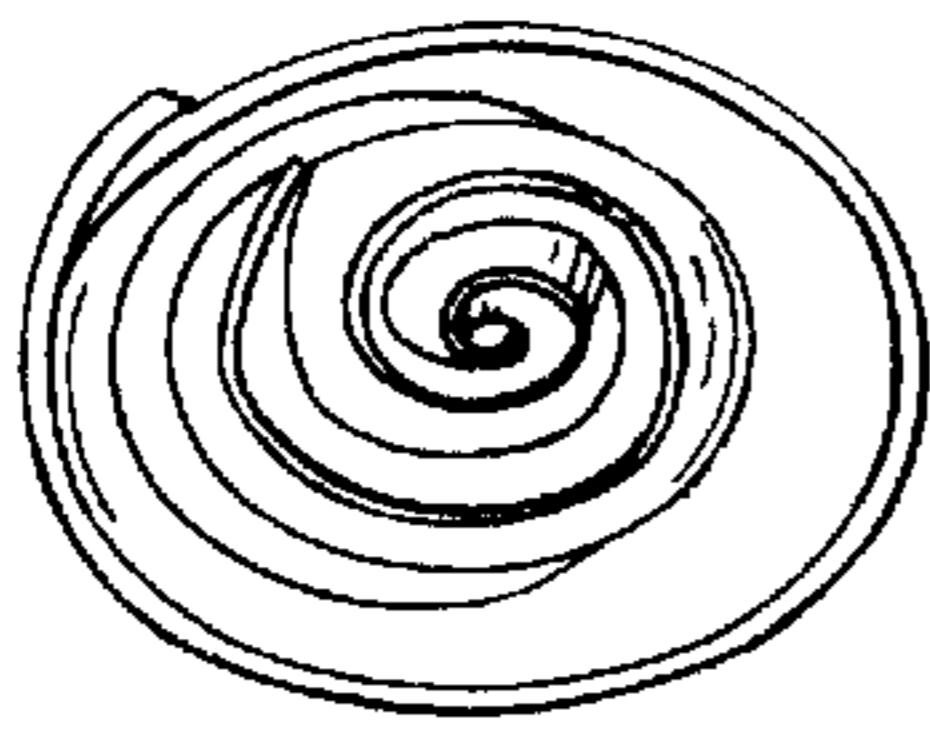


FIG. 5

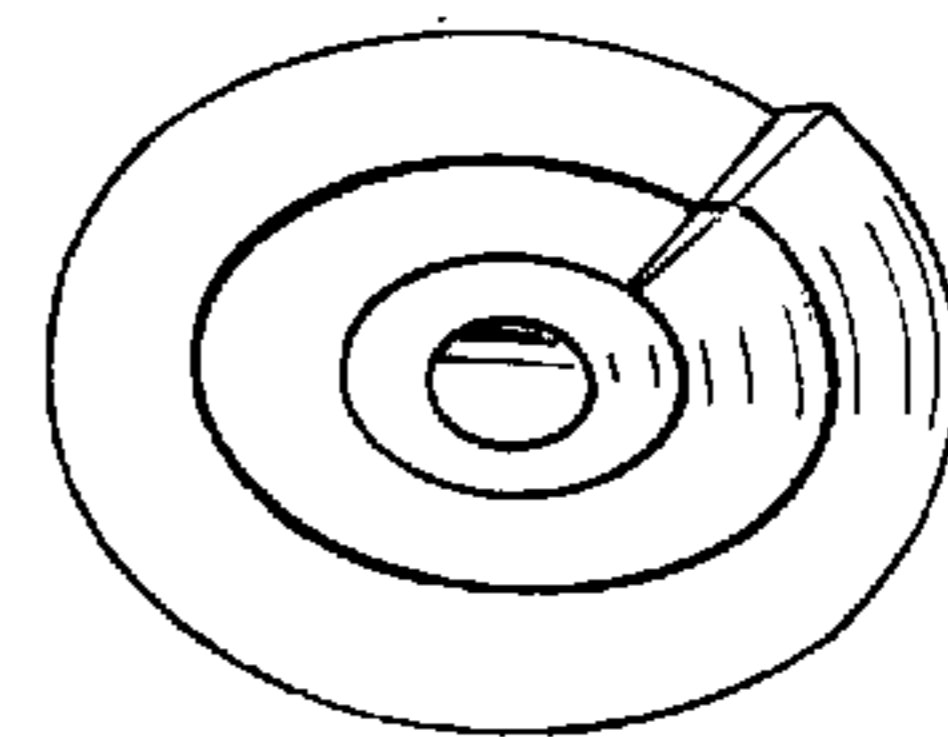


FIG. 6

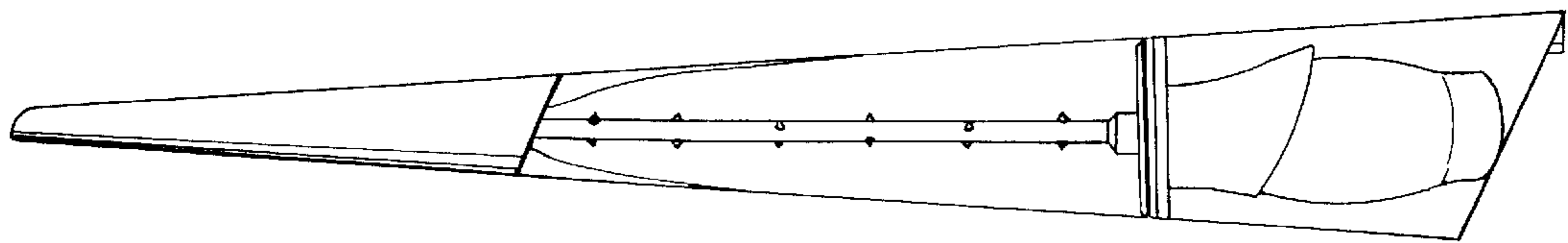


FIG. 7

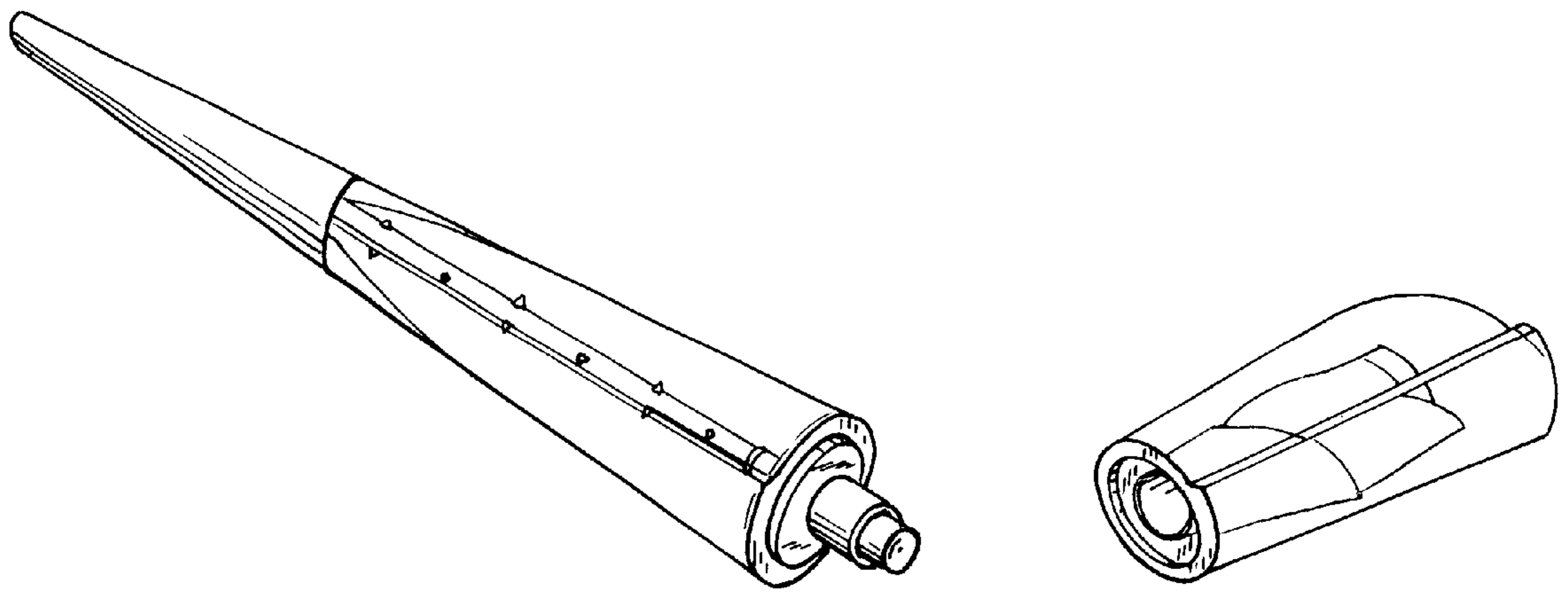


FIG. 8

UNITED STATES PATENT AND TRADEMARK OFFICE
CERTIFICATE OF CORRECTION

PATENT NO. : Des. 455,343 S
DATED : April 9, 2002
INVENTOR(S) : Angelo Gatti

Page 1 of 1

It is certified that error appears in the above-identified patent and that said Letters Patent is hereby corrected as shown below:

Title page,

Item [30], should read -- July 4, 2000 (IT) MI2 000O000471 --.

Signed and Sealed this

Eighth Day of October, 2002

Attest:

A handwritten signature in black ink, appearing to read "James E. Rogan", written over a horizontal line.

Attesting Officer

JAMES E. ROGAN
Director of the United States Patent and Trademark Office