



US00D455337S

(12) **United States Design Patent**  
**Maruoka**

(10) **Patent No.:** **US D455,337 S**

(45) **Date of Patent:** **\*\* Apr. 9, 2002**

(54) **CORD FASTENER**

(75) Inventor: **Hiroyuki Maruoka**, Yokohama (JP)

(73) Assignee: **Nifco Inc.**, Yokohama (JP)

(\*\*) Term: **14 Years**

(21) Appl. No.: **29/143,779**

(22) Filed: **Jun. 21, 2001**

(30) **Foreign Application Priority Data**

Dec. 21, 2000 (JP) ..... 2000-038228

(51) **LOC (7) Cl.** ..... **08-08**

(52) **U.S. Cl.** ..... **D8/383; D8/395; D8/396**

(58) **Field of Search** ..... **D8/383, 394-6; D11/200, 214, 215, 218; D2/978; 24/712.1, 712.7, 129 R, 115 R, 698.1**

(56) **References Cited**

**U.S. PATENT DOCUMENTS**

- 1,146,934 A \* 7/1915 Gleeson
- 1,886,882 A \* 11/1932 Huber
- 2,661,704 A \* 12/1953 Johnson
- 2,876,729 A \* 3/1959 Georgette
- 3,108,385 A \* 10/1963 Teufel
- 3,221,384 A \* 12/1965 Aufenacker
- 4,741,280 A \* 5/1988 Mauderer et al.
- D376,994 S \* 12/1996 Norris

\* cited by examiner

*Primary Examiner*—**B. J. Bullock**

(74) *Attorney, Agent, or Firm*—**Kanesaka & Takeuchi**

(57) **CLAIM**

The ornamental design for a cord fastener, as shown and described.

**DESCRIPTION**

FIG. 1 is a front view of a cord fastener showing my new design;

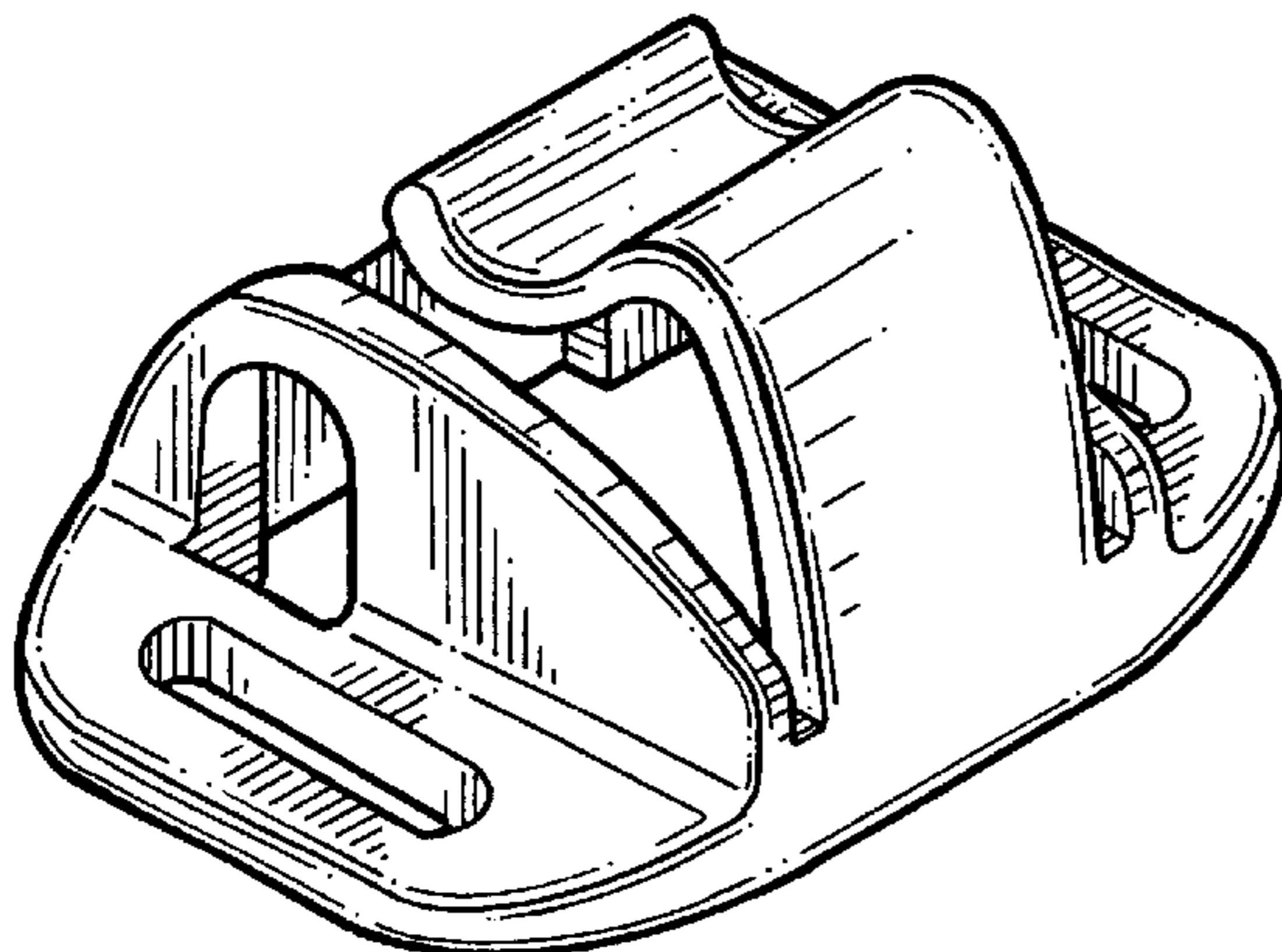


FIG. 2 is a rear view thereof;

FIG. 3 is a left side view thereof, the right side being symmetrical to the left side view;

FIG. 4 is a top plan view thereof;

FIG. 5 is a bottom plan view thereof;

FIG. 6 is a cross sectional view taken along line 6—6 in FIG. 1;

FIG. 7 is a cross sectional view taken along line 7—7 in FIG. 1;

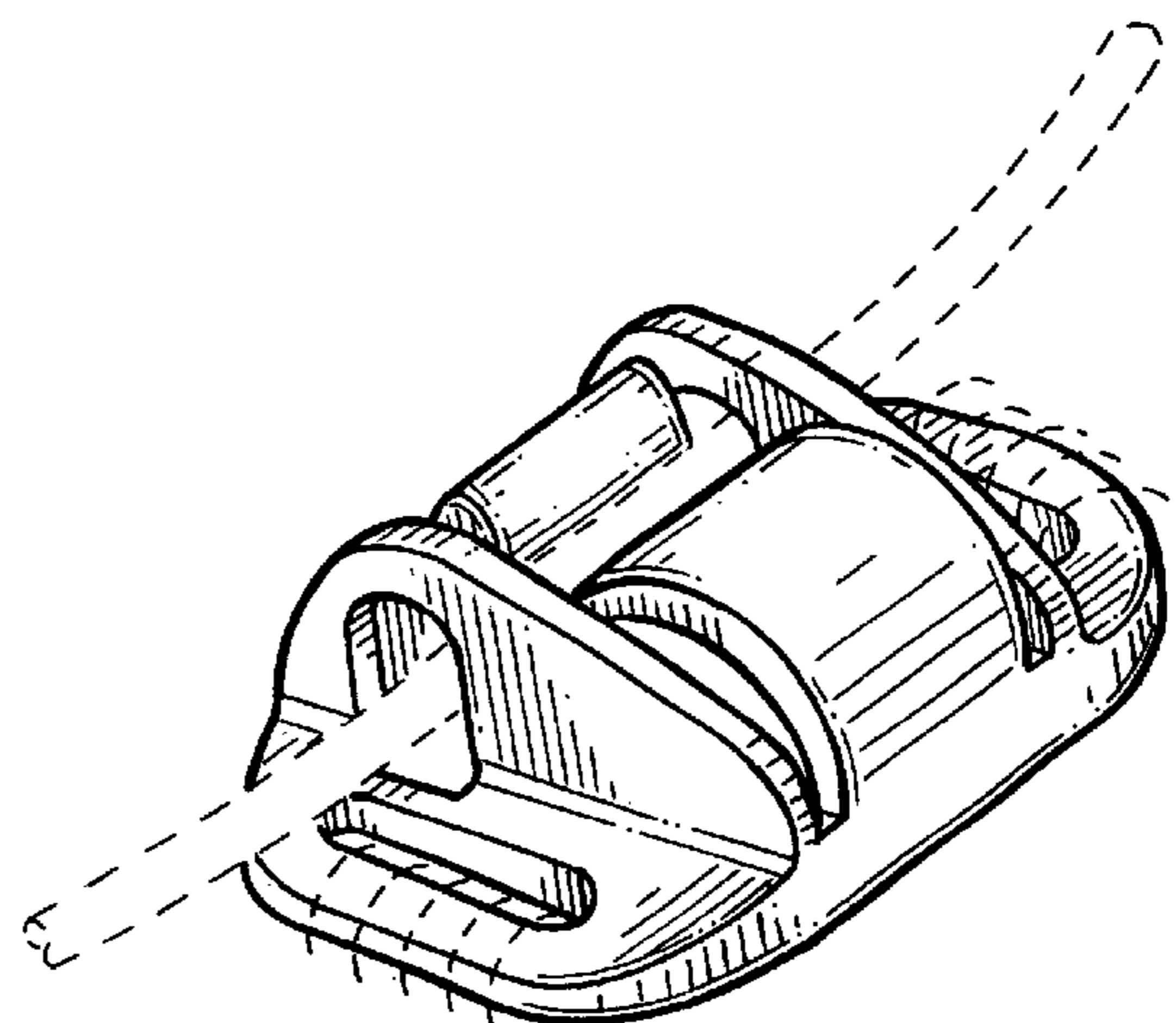
FIG. 8 is a cross sectional view taken along line 8—8 in FIG. 1;

FIG. 9 is a perspective view thereof; and,

FIG. 10 is a perspective view thereof in a condition that the cord faster is in use.

The cord fastener of the present design is used for stopping respective ends of cords, which are provided around a neck portion or a waist portion of the garment, or around an edge of an opening of a bag-like member, in a predetermined length. The cord fastener is provided with through holes through which a cord is inserted, and an elastic engaging piece to be engaged with the cord. When the cord fastener is in use as shown in FIG. 10, the cord shown by broken lines in FIG. 10 is inserted through the through holes and engaged with the elastic engaging piece by elastically pushing and releasing the elastic engaging piece, so that the cord fastener can be detachably attached to the cord to thereby adjust the length of the cord.

**1 Claim, 5 Drawing Sheets**



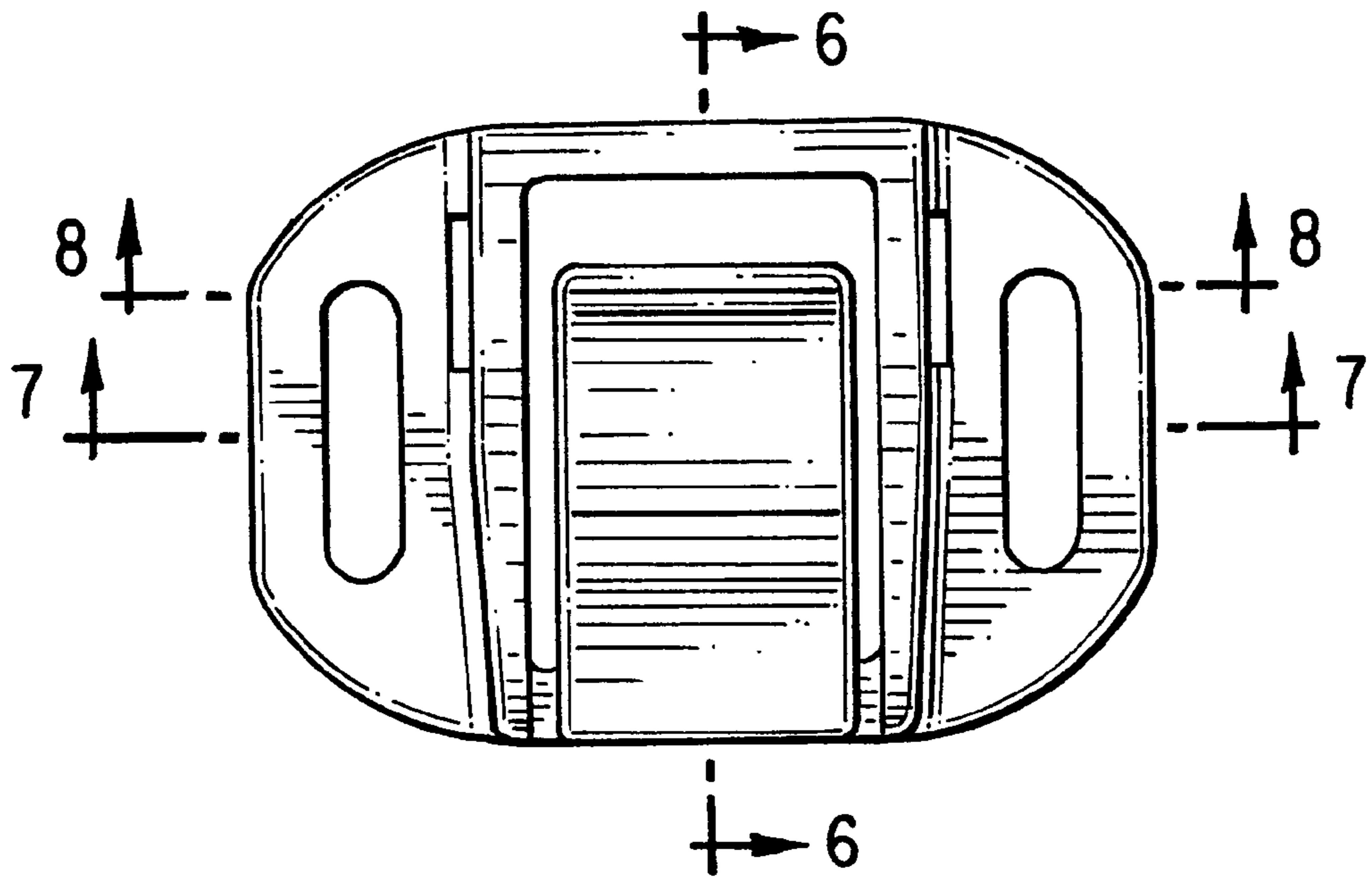


FIG. 1

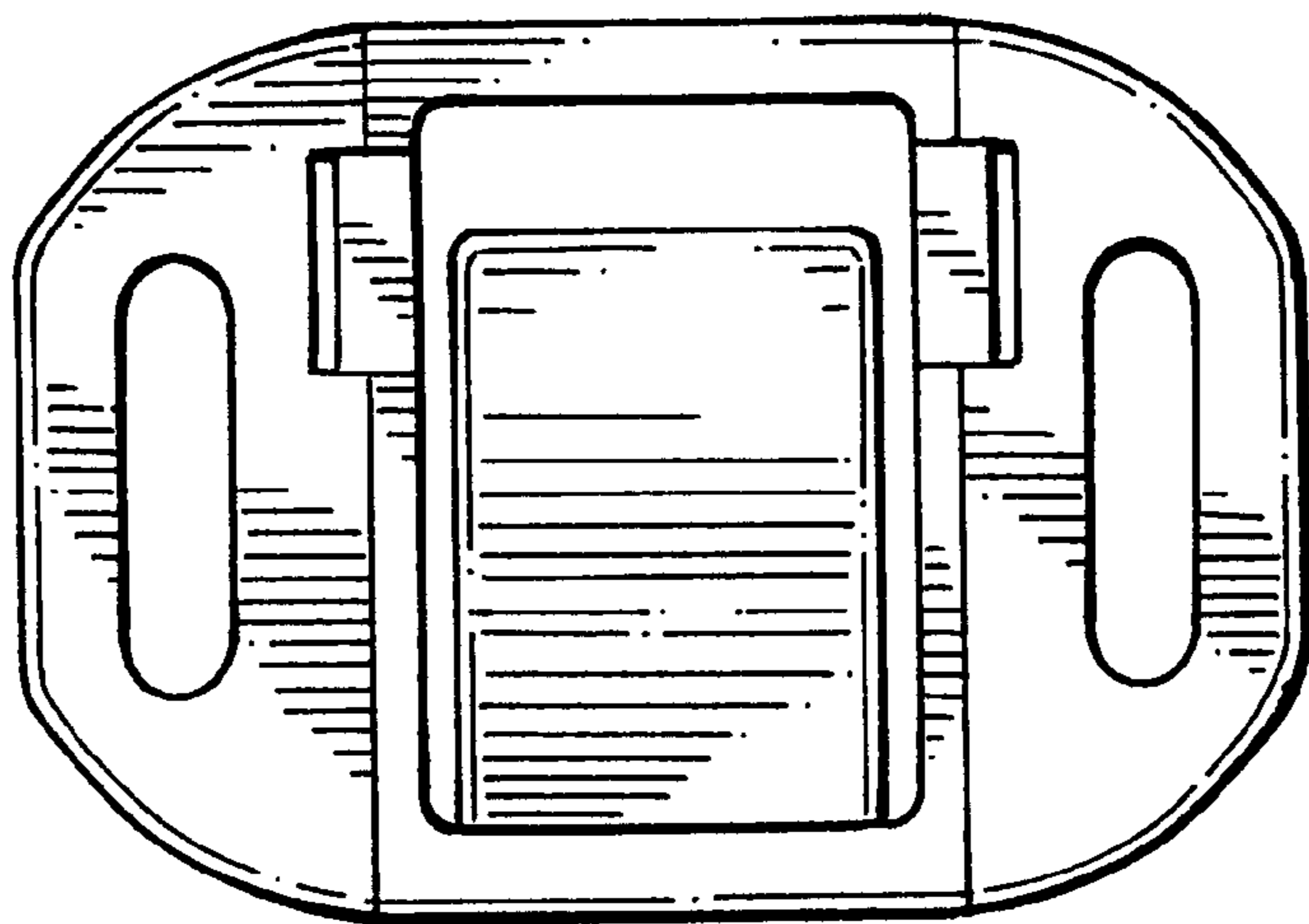


FIG. 2

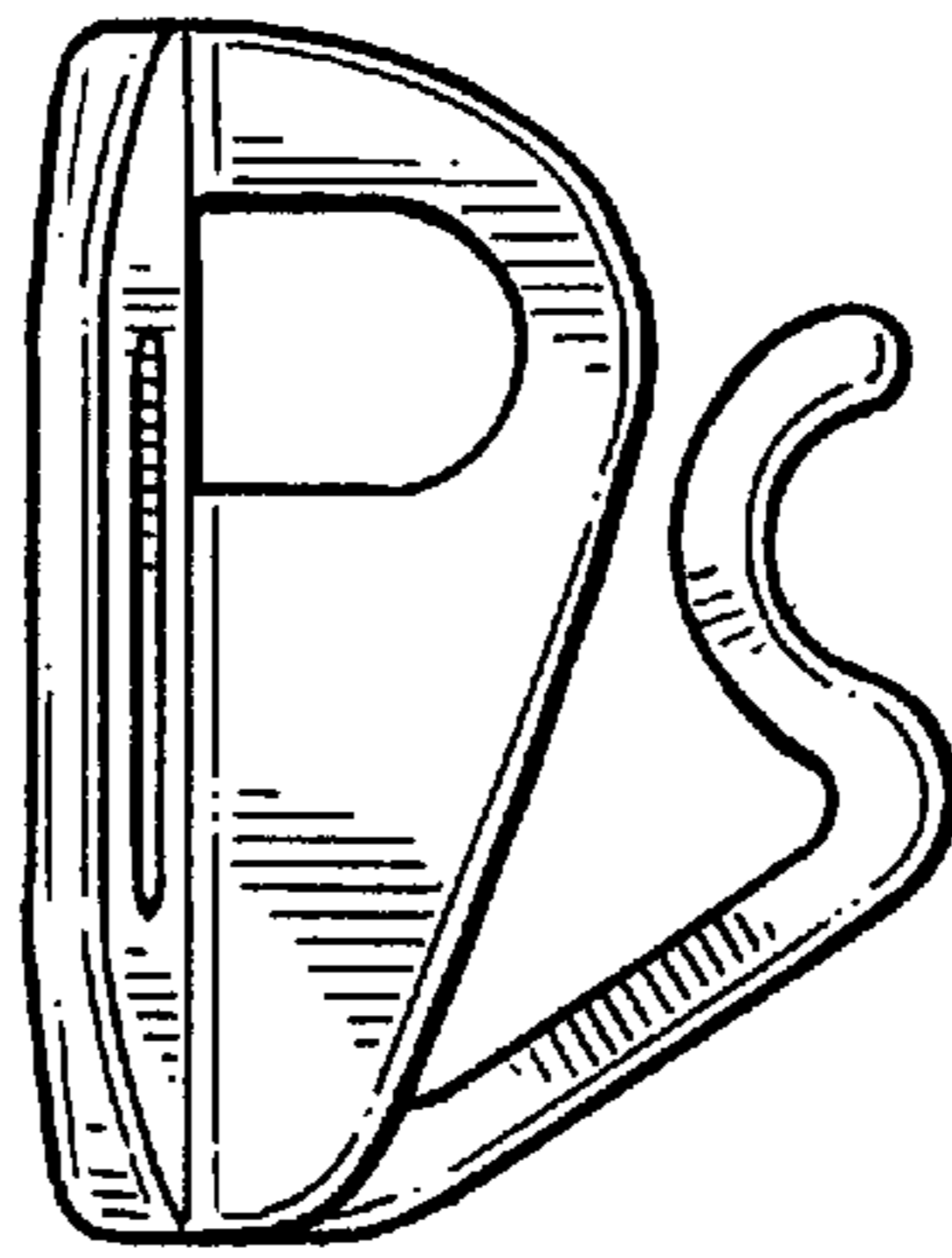


FIG. 3

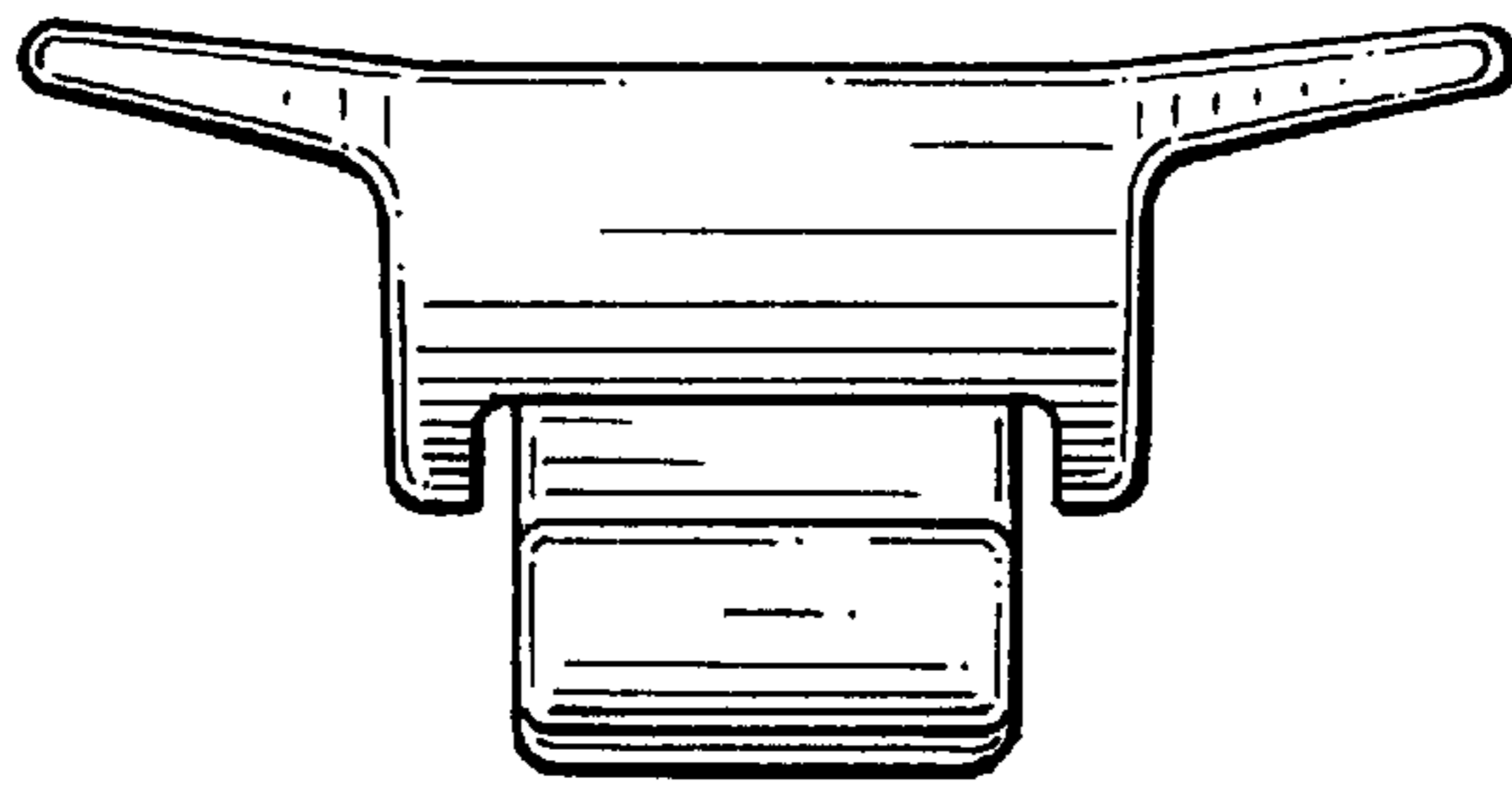


FIG. 4

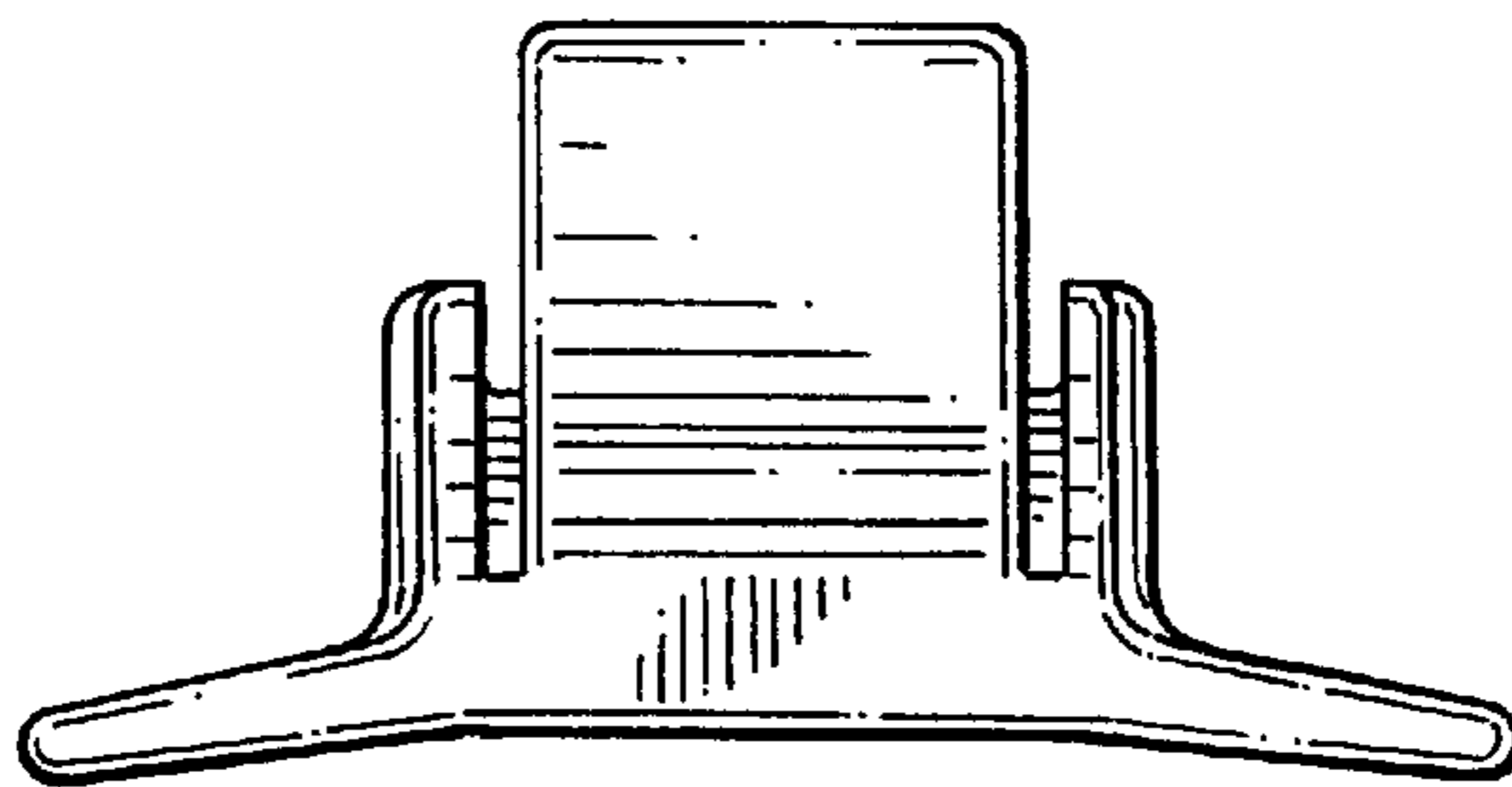


FIG. 5

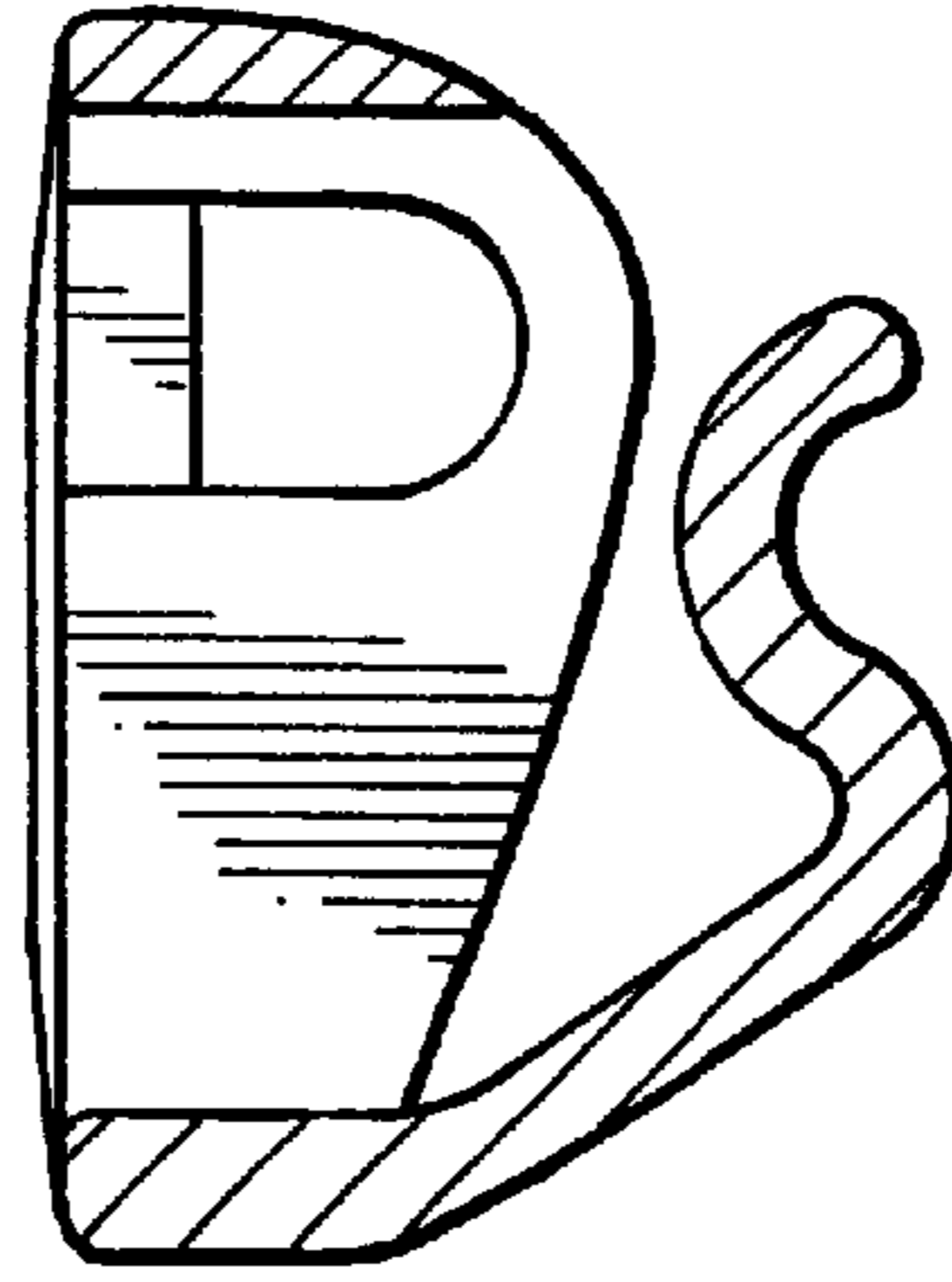


FIG. 6

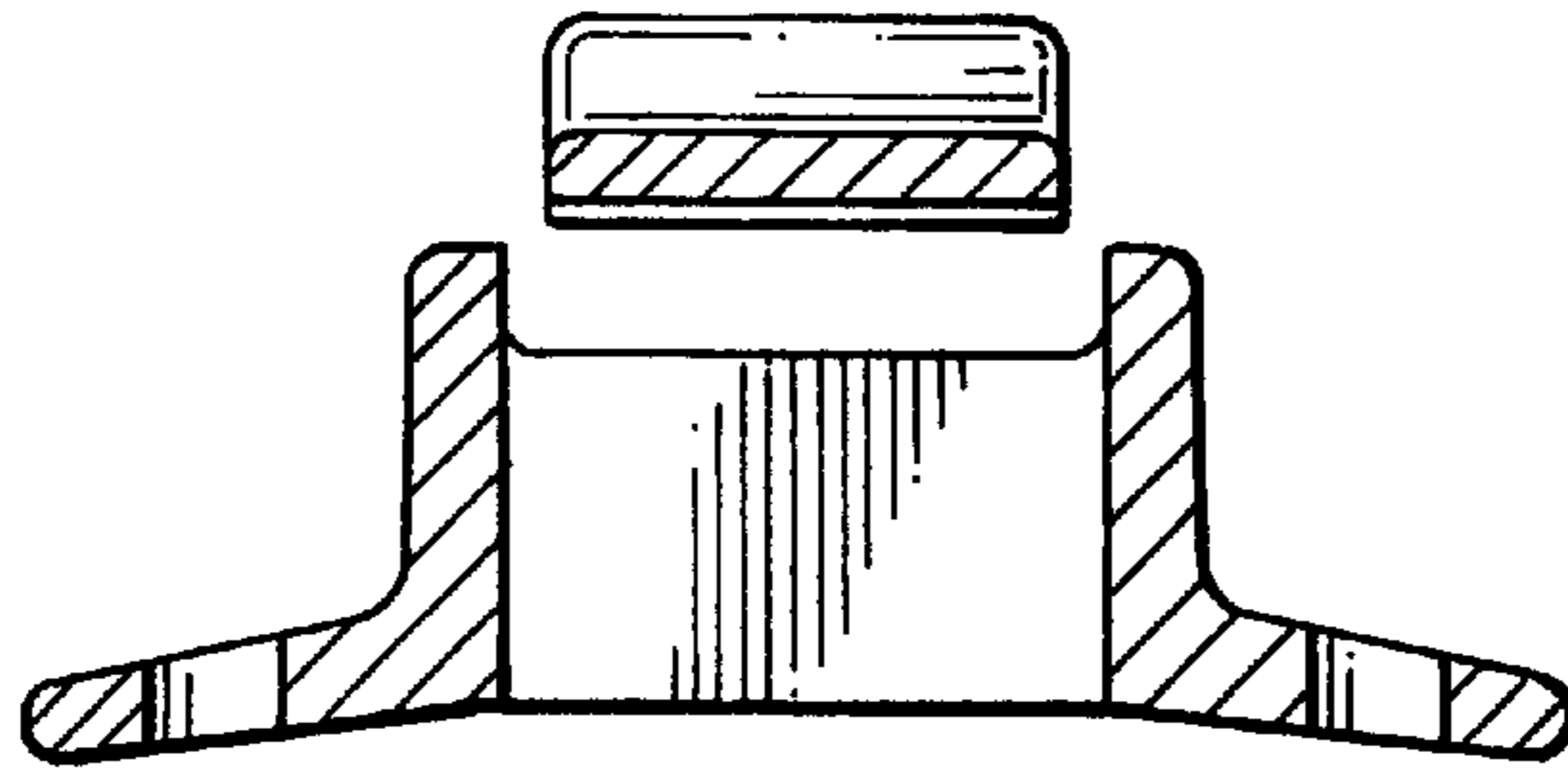


FIG. 7

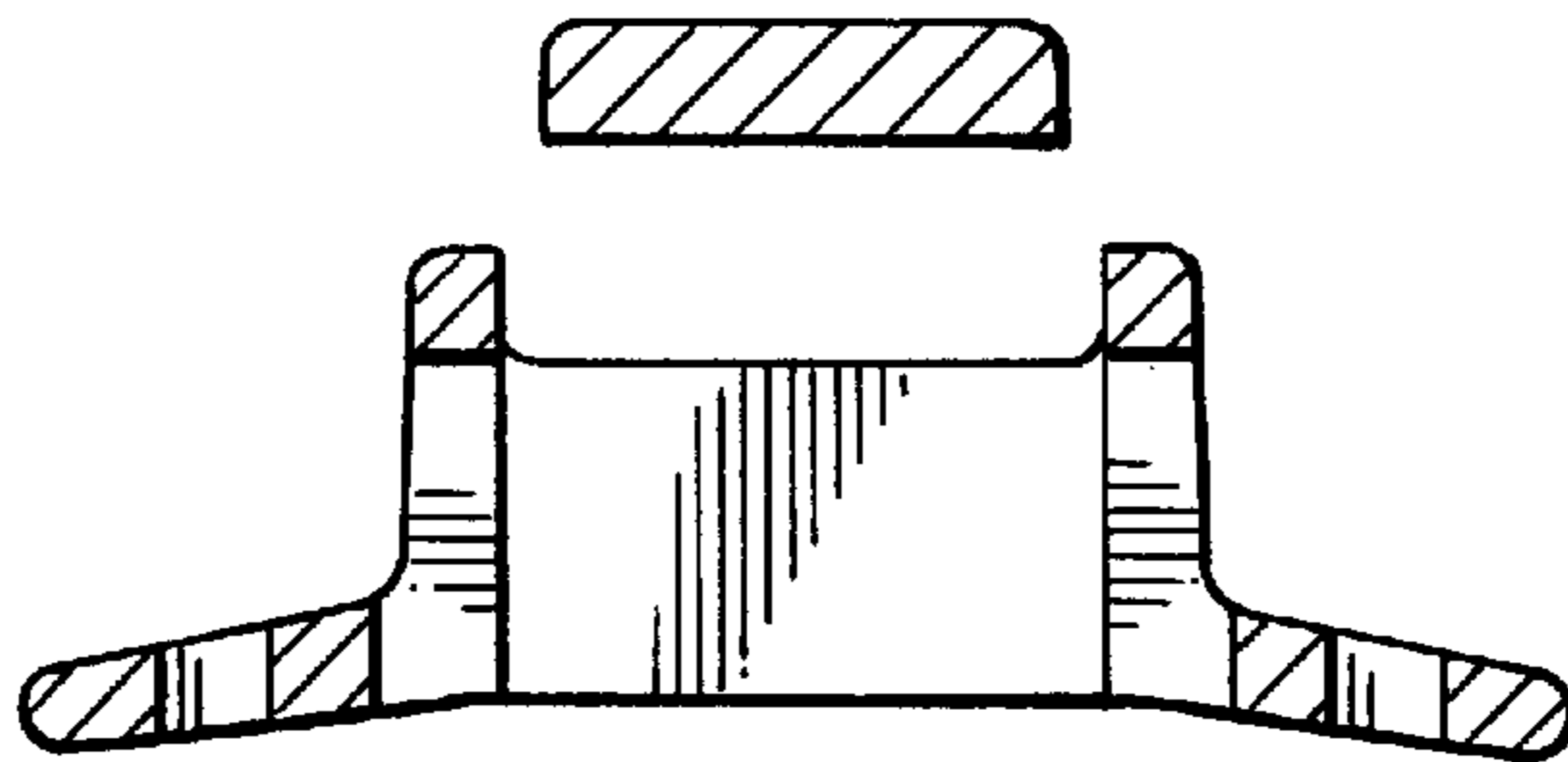


FIG. 8

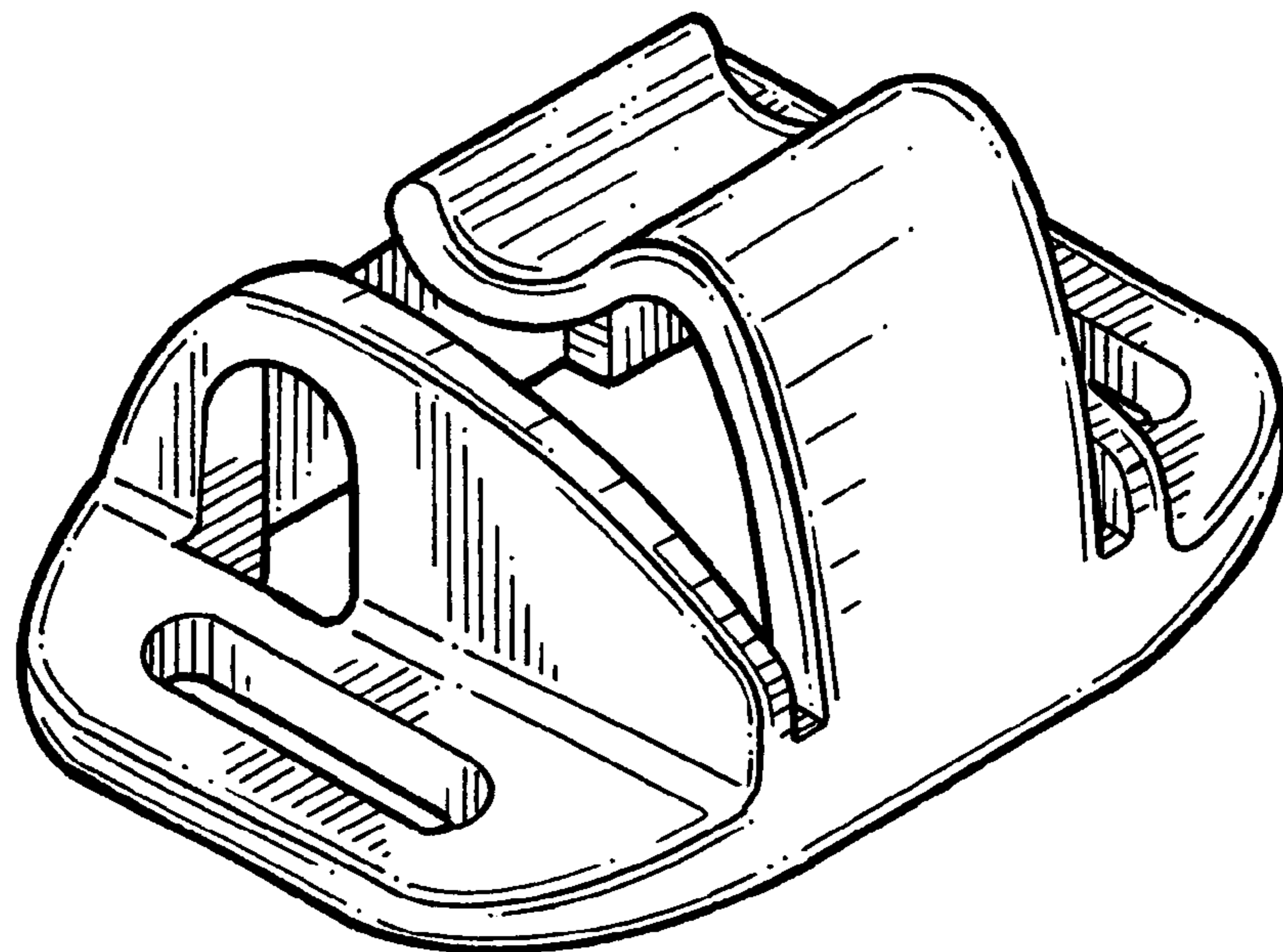


FIG. 9

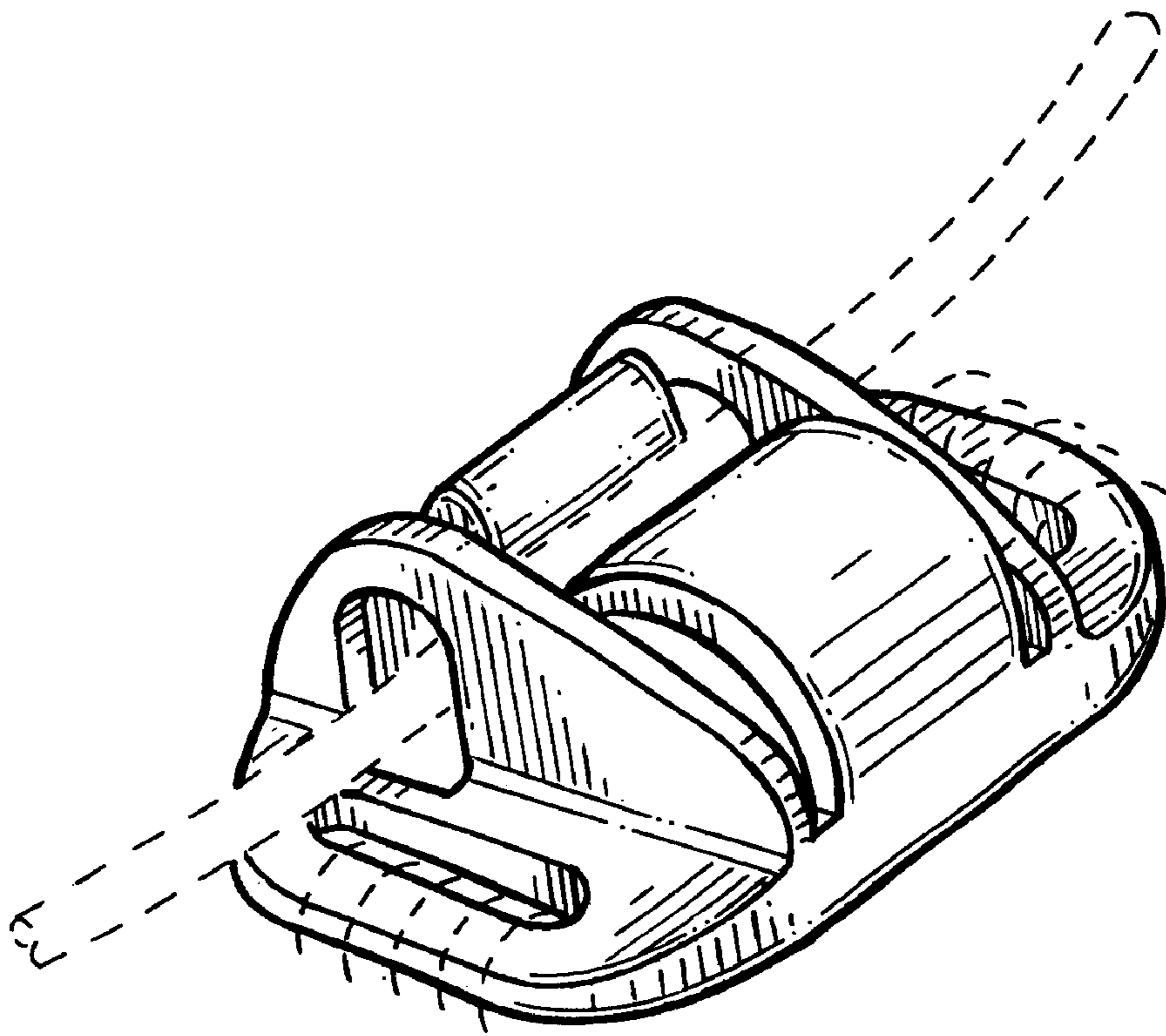


FIG. 10