



US00D455335S

(12) **United States Design Patent**
Cort

(10) **Patent No.:** **US D455,335 S**

(45) **Date of Patent:** **** Apr. 9, 2002**

(54) **ELEVATING SUPPORT FOR THE HEAD OF
A BED STRUCTURE FOR THE TREATMENT
OF REFLEX ESOPHAGUS**

D373,721 S 9/1996 Panow D8/402
5,615,429 A 4/1997 Williams 5/509.1
6,012,185 A * 1/2000 Woods et al. 5/509.1

(76) Inventor: **Kathy Cort**, 1304 Holly Dr., B-8,
Norwalk, IA (US) 50211

* cited by examiner

(**) Term: **14 Years**

Primary Examiner—Jennifer Rivard

(21) Appl. No.: **29/130,655**

(74) *Attorney, Agent, or Firm*—Zarley, McKee, Thomte,
Voorhees & Sease, P.L.C.

(22) Filed: **Oct. 6, 2000**

(57) **CLAIM**

Related U.S. Application Data

I claim the ornamental design for an elevating support for the head of a bed structure for the treatment of reflex esophagus, as shown and described.

(63) Continuation-in-part of application No. 29/095,272, filed on Oct. 20, 1998, now abandoned.

DESCRIPTION

(51) **LOC (7) Cl.** **08-05**

FIG. 1 is an upper perspective view of an elevating support for the head of a bed structure for the treatment of reflex esophagus;

(52) **U.S. Cl.** **D8/374**

FIG. 2 is a lower perspective view thereof;

(58) **Field of Search** D8/374, 375, 400,

FIG. 3 is a top plan view thereof;

D8/499, 402; 5/509.1, 658, 663; 248/188.2,
346.11; 16/32, 19

FIG. 4 is a bottom plan view thereof; and,

FIG. 5 is a side elevational view thereof, all side elevational views being identical.

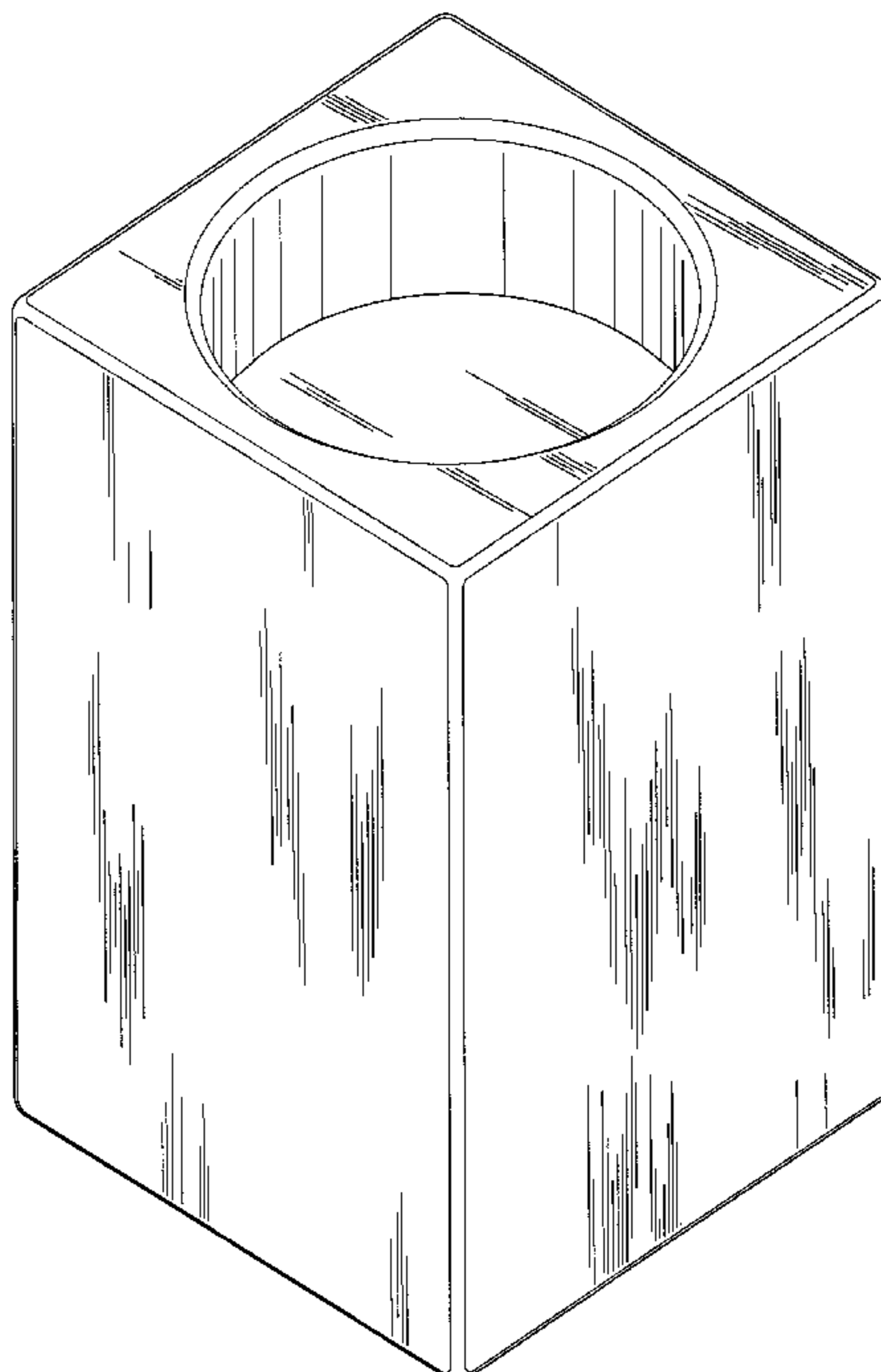
(56) **References Cited**

The typical dimensions for the design of this invention are that the body portion thereof is 7½ inches tall and is 5 inches square thus making its sides 7½ inches tall and 5 inches wide. The body portion has a cylindrical opening in its top which is 4 inches in diameter and 1 inch deep. The bottom portion of the body portion has a cylindrical opening which is 4 inches in diameter and 5 inches deep. The two cylindrical openings are separated by a horizontal panel which is 1½ inches in vertical thickness. Both openings are centered on a center vertical axis of the body portion.

U.S. PATENT DOCUMENTS

- D25,044 S 1/1896 Bodine
- D26,563 S 1/1897 Heiser
- 1,345,987 A * 7/1920 Bocking 16/42 R
- 1,912,728 A * 6/1933 De Forest Roe 248/246.11
- 2,893,164 A 7/1959 Martin 45/137
- 2,933,850 A 4/1960 Martin 45/139
- 3,138,893 A 6/1964 Rugar 45/137
- D336,843 S * 6/1993 Hurst D8/374
- 5,224,227 A 7/1993 McGinley 5/509
- 5,295,598 A 3/1994 Gerlach et al. 215/100 R
- 5,345,631 A 9/1994 Saperstein et al. 5/509.1

1 Claim, 4 Drawing Sheets



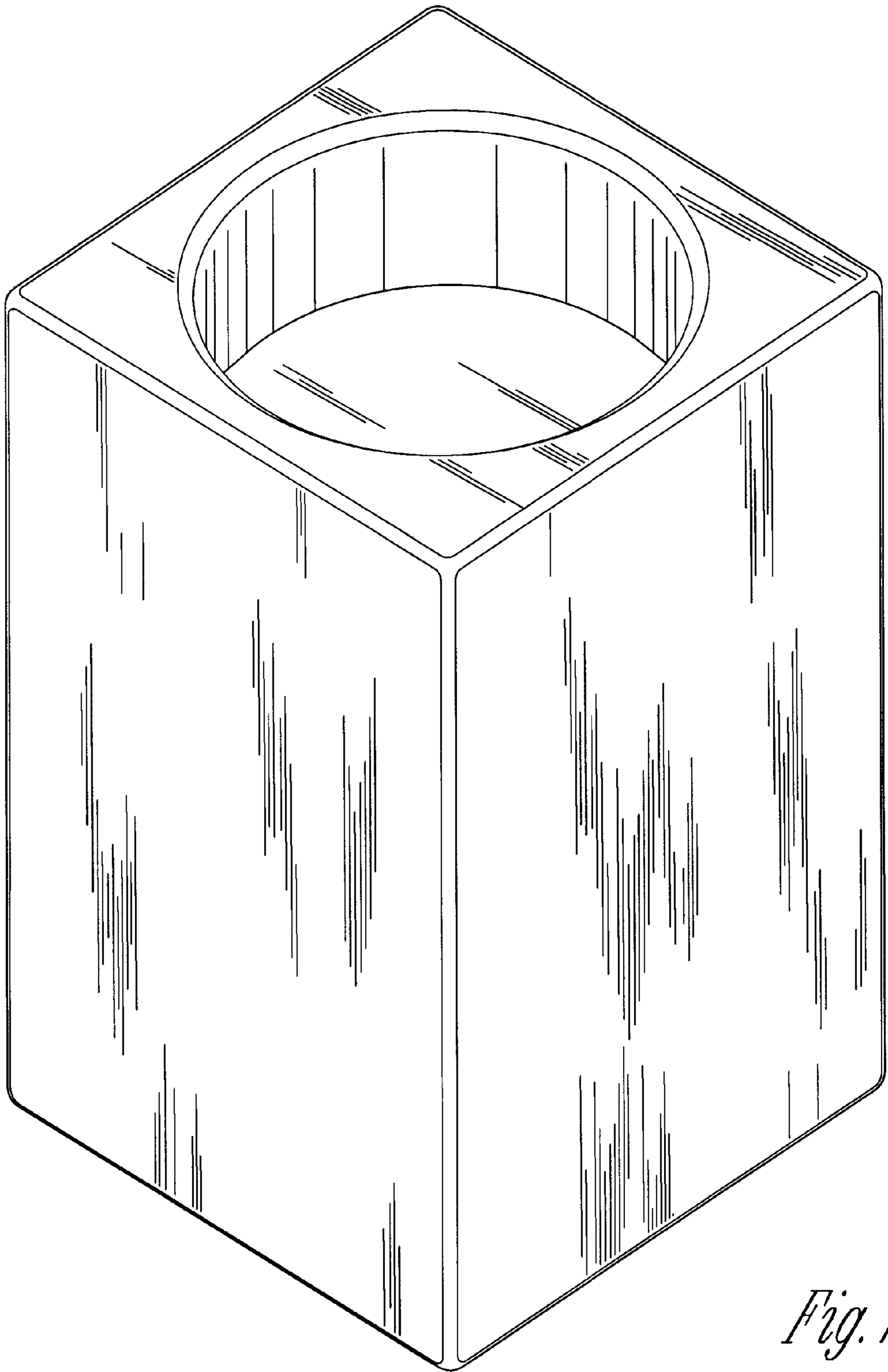


Fig. 1

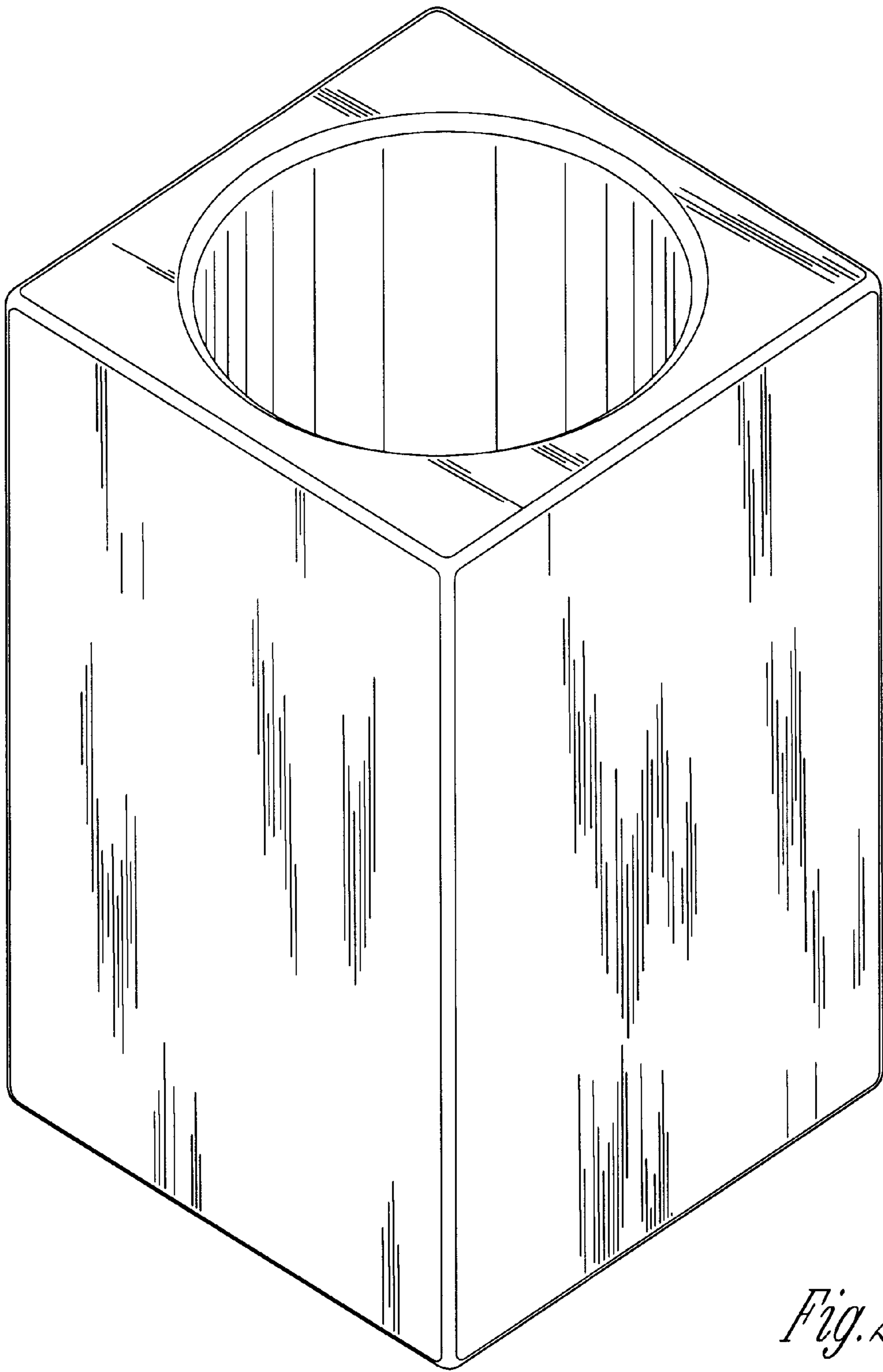


Fig. 2

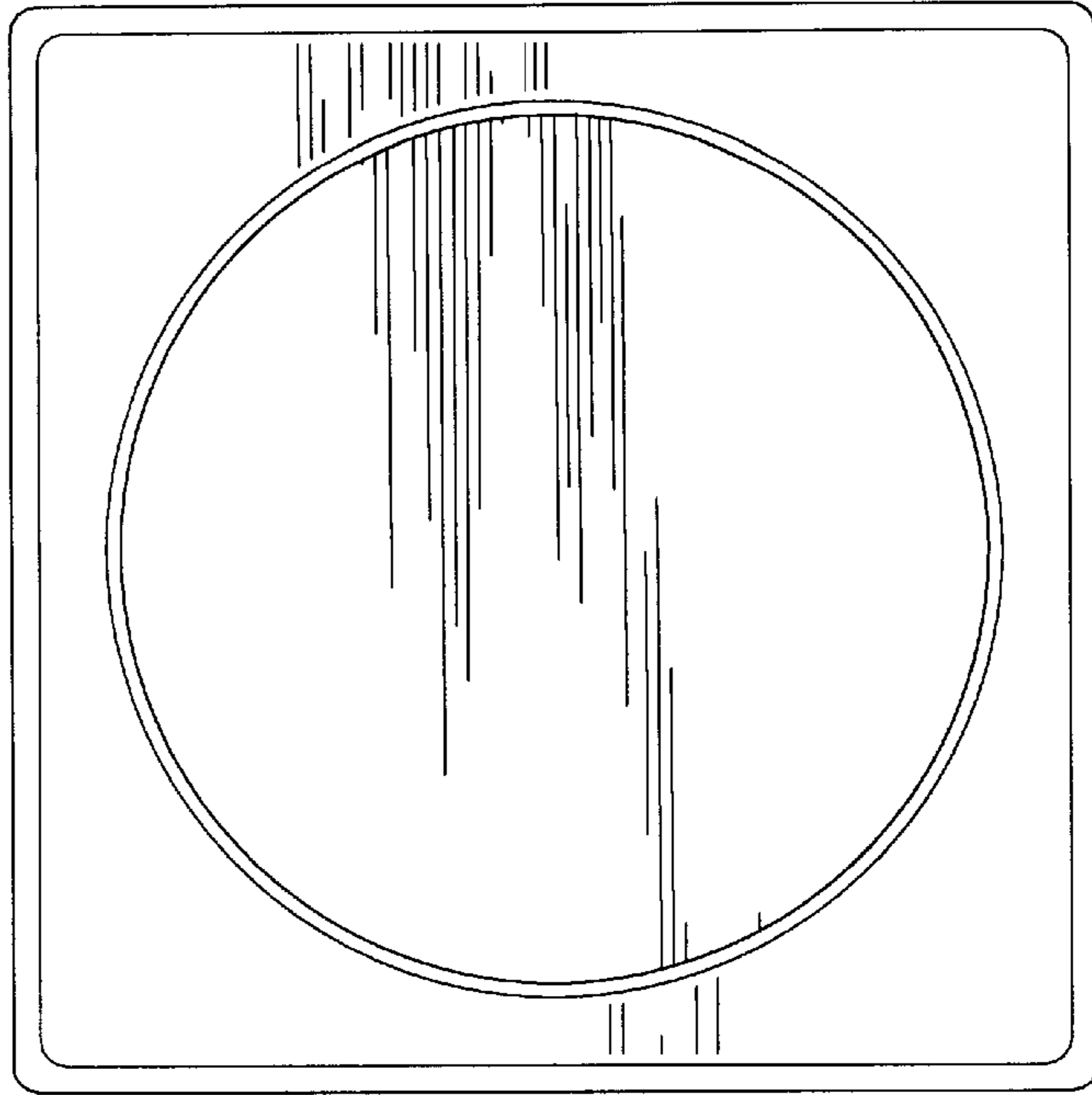


Fig. 3

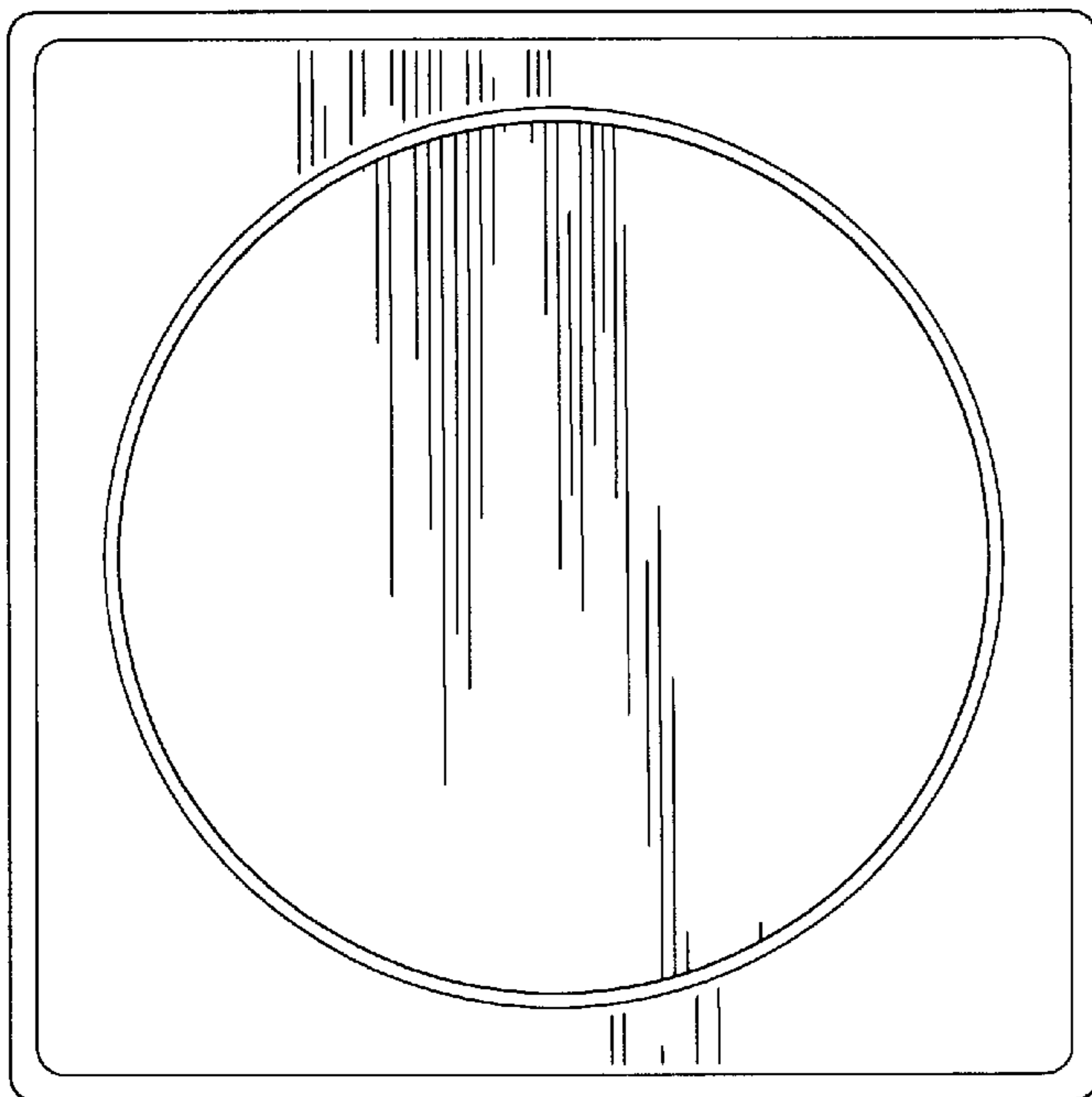


Fig. 4

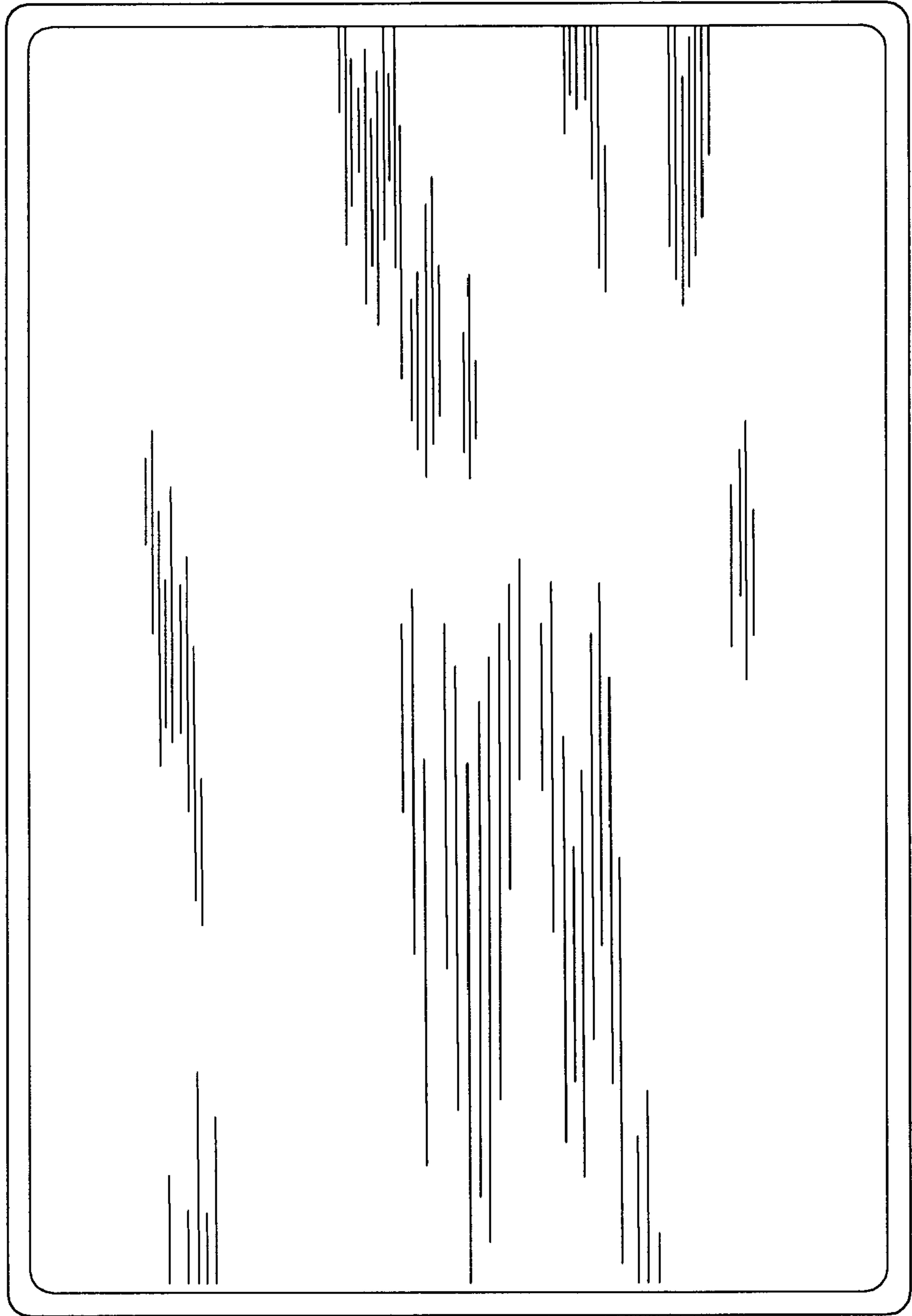


Fig. 5