

US00D455327S

(12) **United States Design Patent**  
**Beer et al.**

(10) **Patent No.:** **US D455,327 S**

(45) **Date of Patent:** **\*\* Apr. 9, 2002**

(54) **AIR RATCHET**

(75) Inventors: **Joshua M. Beer**, Racine; **Dennis A. Nowak**, Greendale; **James R. Brehm**, Racine, all of WI (US)

(73) Assignee: **Snap-on Technologies, Inc.**, Lincolnshire, IL (US)

(\*\*) Term: **14 Years**

(21) Appl. No.: **29/148,375**

(22) Filed: **Sep. 19, 2001**

**Related U.S. Application Data**

(63) Continuation of application No. 29/138,479, filed on Mar. 14, 2001, now abandoned.

(51) **LOC (7) Cl.** ..... **08-04**

(52) **U.S. Cl.** ..... **D8/61; D8/25**

(58) **Field of Search** ..... D8/25, 59, 60, D8/61, 62, 64, 67, 68, 82, DIG. 7; 81/54, 57, 57.11, 57.13, 57.14, 57.42, 57.29, 57.39, 58, 60, 61, 62, 63, 63.1, 63.2, 177.1, 177.4, 177.6, 177.8, 177.85, 177.9, 469, 474; 173/169, 170, 182, 217

(56) **References Cited**

**U.S. PATENT DOCUMENTS**

4,346,630 A \* 8/1982 Hanson ..... 81/57.39

4,722,252 A \* 2/1988 Fulcher et al. .... 81/57.39  
5,603,393 A \* 2/1997 Ghode et al. .... 81/62  
D379,909 S \* 6/1997 Hawkins ..... D8/62  
5,983,757 A \* 11/1999 Blise et al. .... 81/57.39

**OTHER PUBLICATIONS**

Chicago Pneumatic  $\frac{3}{8}$  Ratchet photocopy.  
IR 1107 Ultra Duty Air Ratchet Wrench, Twin Pawl Plus™ photocopy.  
P. 222, Power Tools, Air  $\frac{3}{8}$ " Drive Air Ratchets.

\* cited by examiner

*Primary Examiner*—Doris V. Coles

*Assistant Examiner*—Elizabeth A. Albert

(74) *Attorney, Agent, or Firm*—Seyfarth Shaw

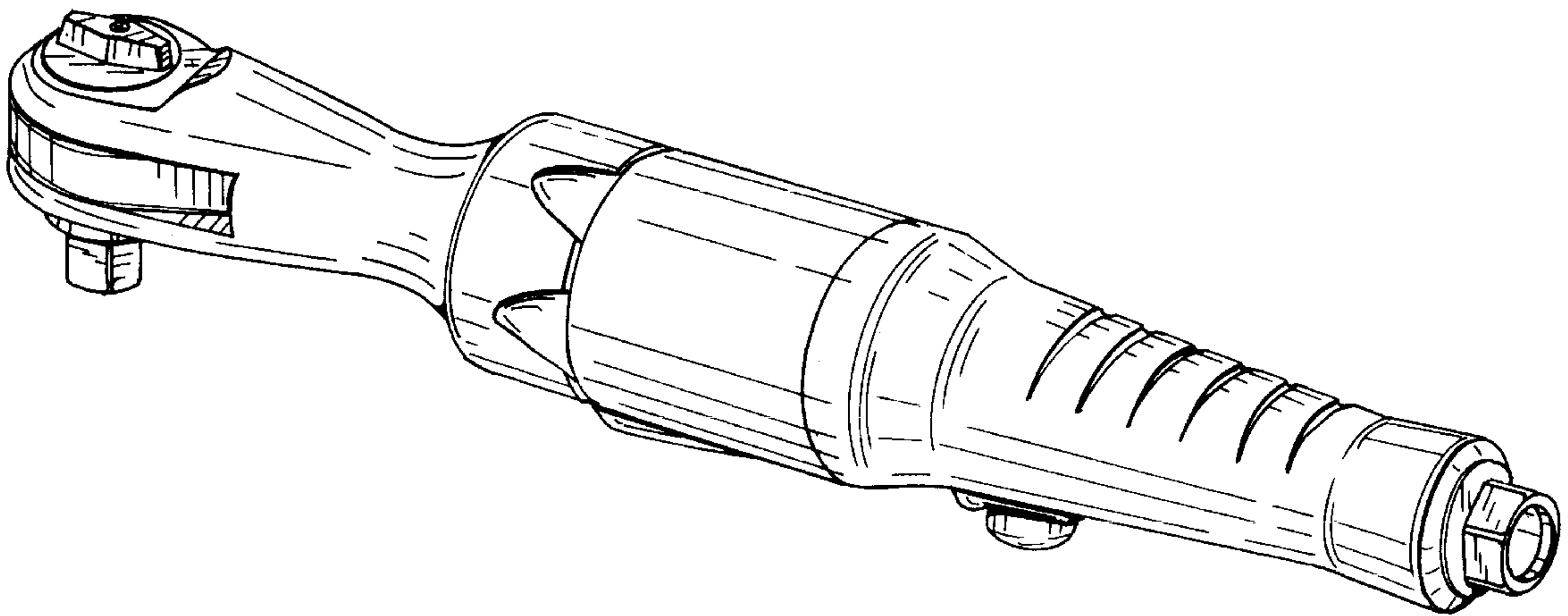
(57) **CLAIM**

The ornamental design for the air ratchet, as shown and described.

**DESCRIPTION**

FIG. 1 is a perspective view of the air ratchet showing our new design;  
FIG. 2 is a front elevational view thereof;  
FIG. 3 is a rear elevational view thereof;  
FIG. 4 is a top plan view thereof;  
FIG. 5 is a side elevational view of one side thereof, the other side being identical; and,  
FIG. 6 is a bottom plan view thereof.

**1 Claim, 2 Drawing Sheets**



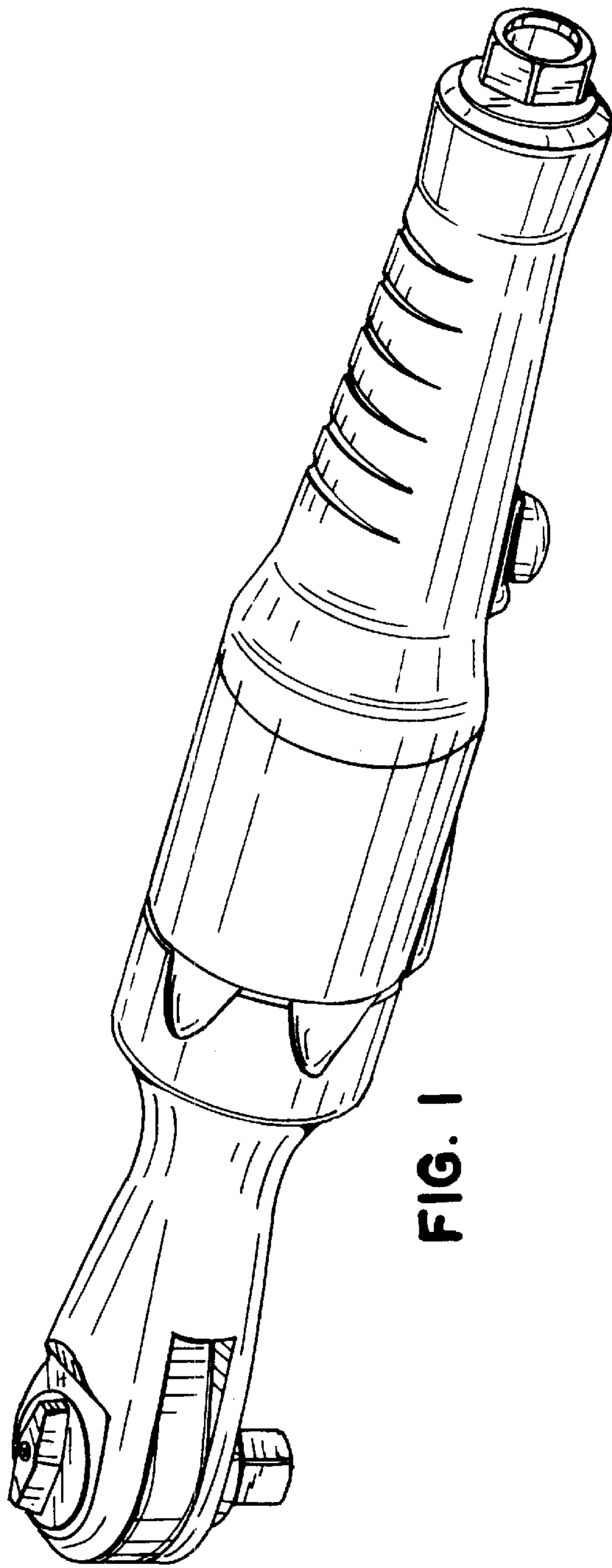


FIG. 1

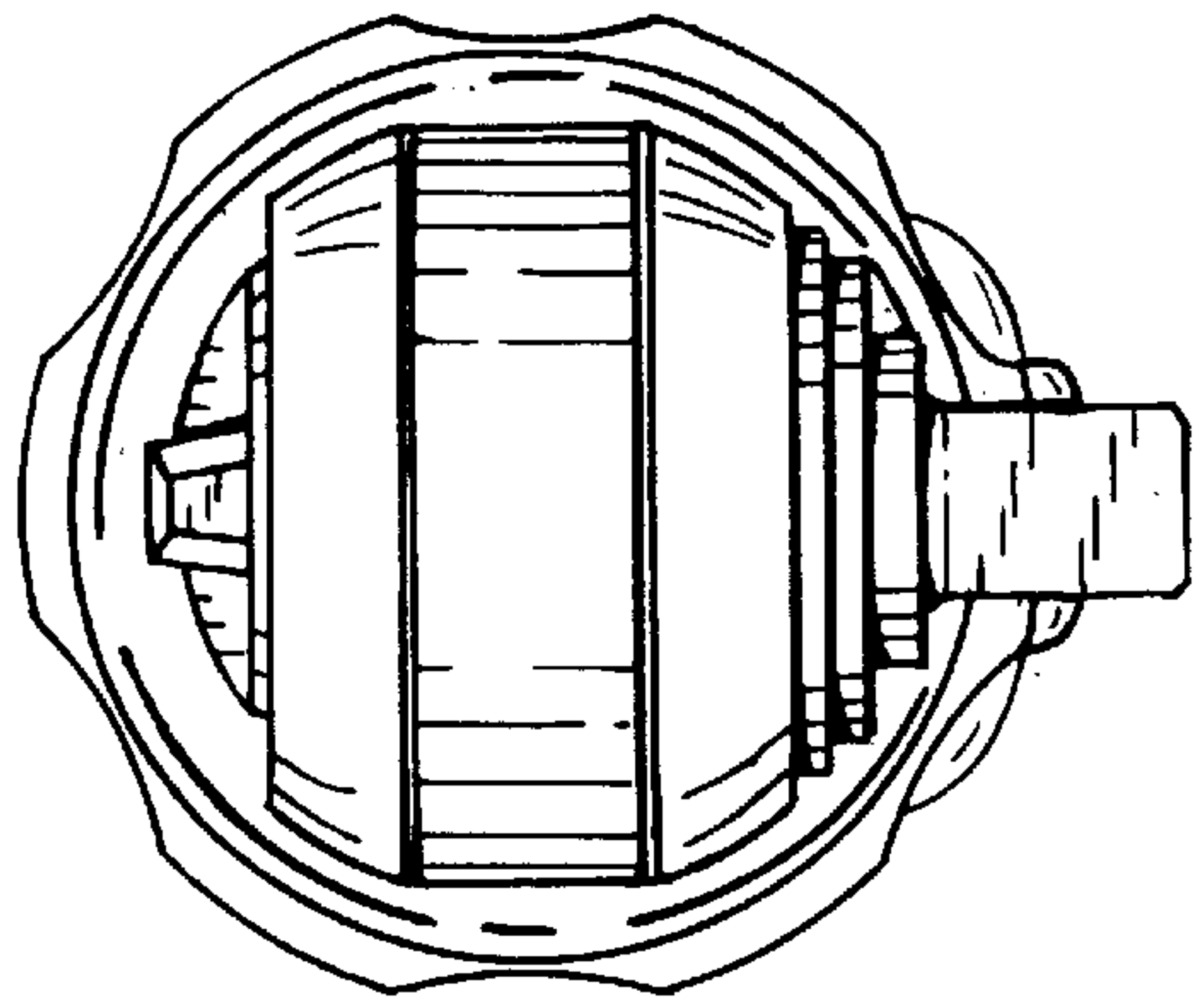


FIG. 2

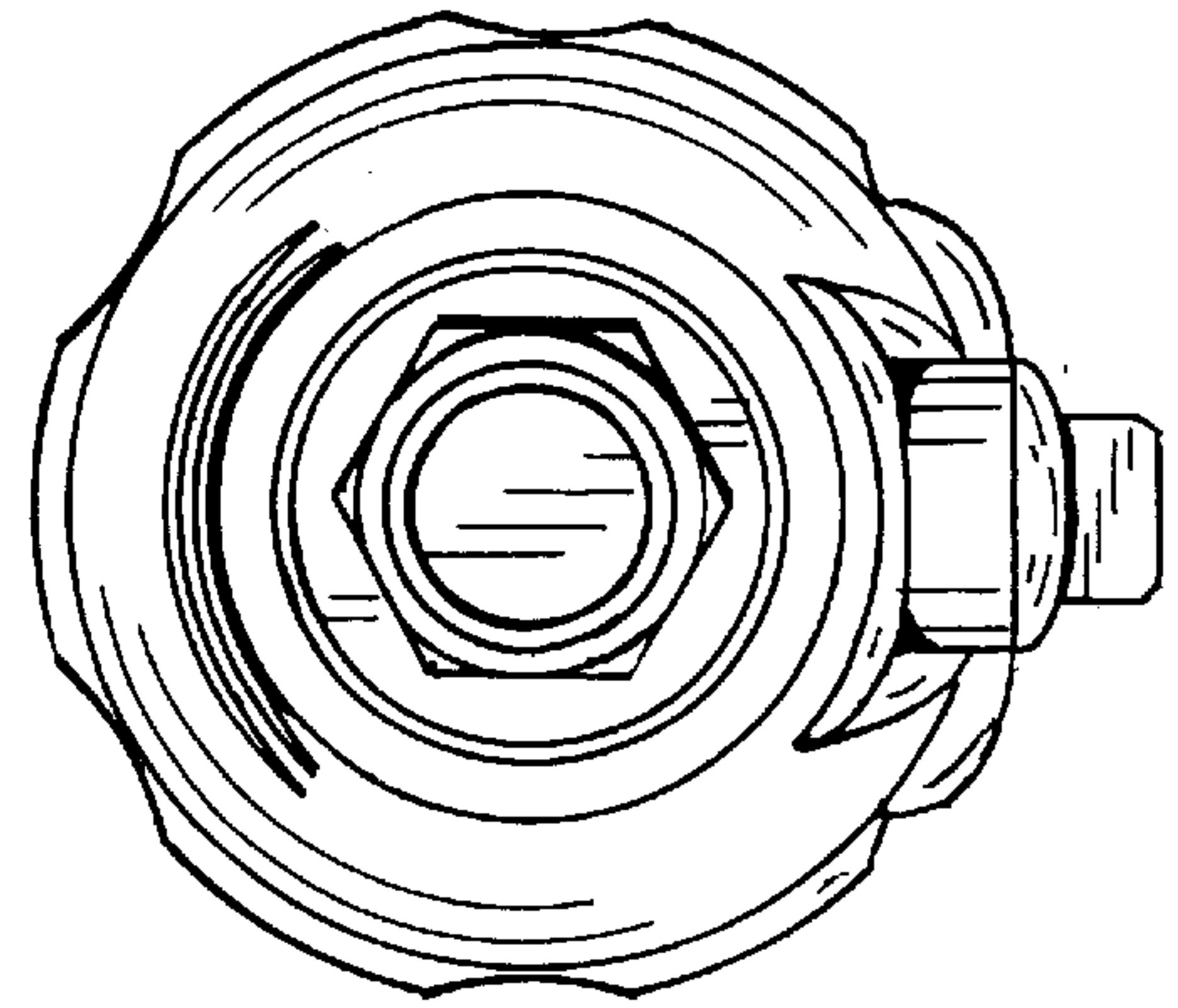


FIG. 3

