



US00D455326S

(12) **United States Design Patent**
Schoen

(10) **Patent No.:** **US D455,326 S**

(45) **Date of Patent:** **** Apr. 9, 2002**

(54) **ELECTRICALLY POWERED HAND TOOL**

4,674,548 A * 6/1987 Mills et al. 409/182

D385,467 S * 10/1997 Schweizer D8/62

6,241,594 B1 * 6/2001 Lepold 451/359

(75) Inventor: **Klaus Schoen**, Altbach (DE)

(73) Assignee: **Robert Bosch GmbH**, Stuttgart (DE)

* cited by examiner

(**) Term: **14 Years**

Primary Examiner—Doris V. Coles

Assistant Examiner—Elizabeth Albert

(21) Appl. No.: **29/133,806**

(74) *Attorney, Agent, or Firm*—Michael J. Striker

(22) Filed: **Dec. 7, 2000**

(57) **CLAIM**

(30) **Foreign Application Priority Data**

The ornamental design for an electrically powered hand tool, as shown and described.

Jun. 7, 2000 (DE) 400 05 497

DESCRIPTION

(51) **LOC (7) Cl.** **08-01**

FIG. 1 is a side view of an electrically powered hand tool showing my new design;

(52) **U.S. Cl.** **D8/61**

FIG. 2 is a front view thereof;

(58) **Field of Search** D8/61, 62, 63,

D8/64, 65, 66, 67, 68, 69; D15/122, 127,

132; 408/199; 409/180-182; 144/134.1,

135.2, 136.1, 154.5

FIG. 3 is the opposite side view of FIG. 1 thereof;

FIG. 4 is a rear view thereof;

FIG. 5 is a top view thereof; and,

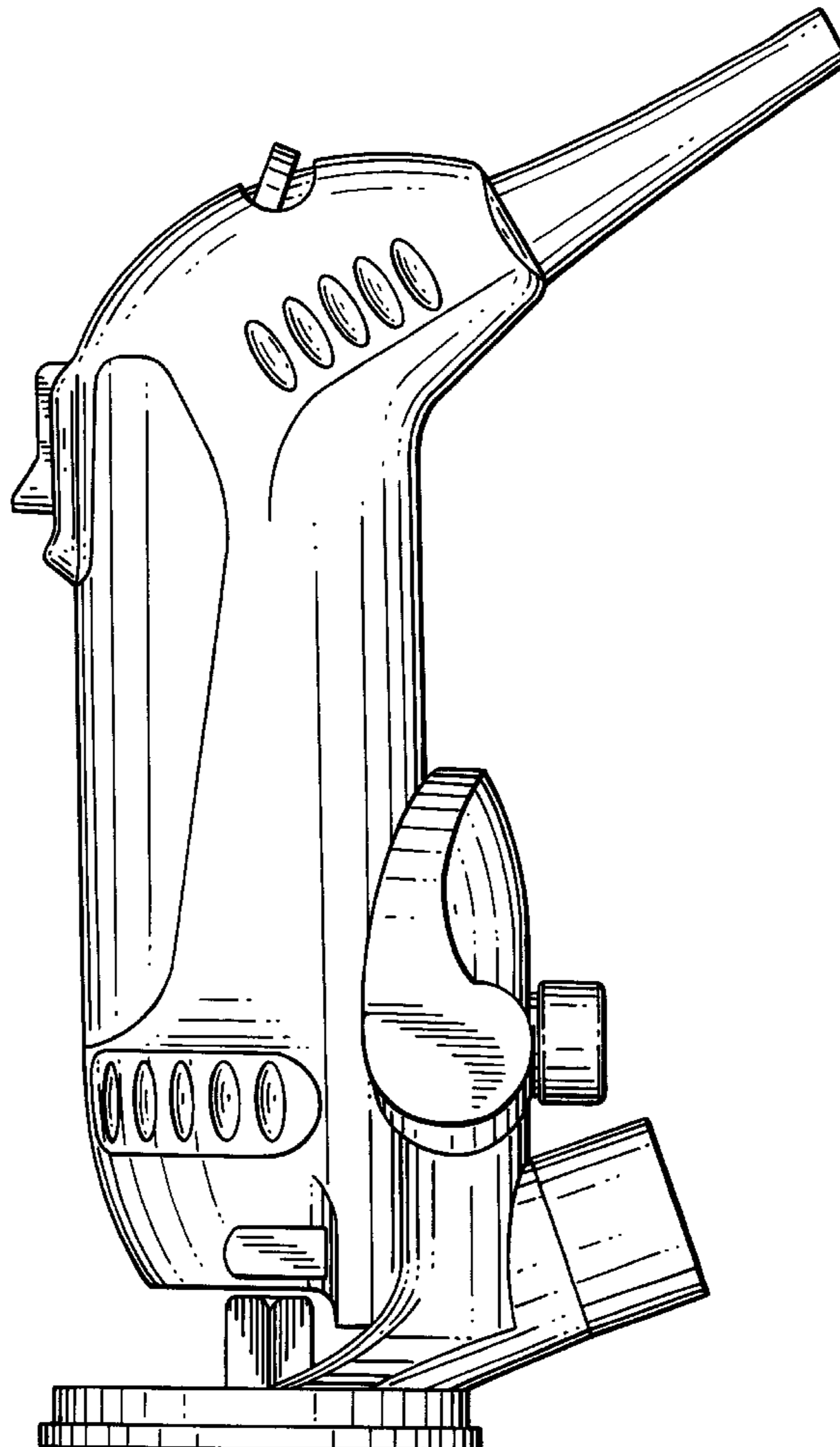
FIG. 6 is a bottom view thereof.

(56) **References Cited**

U.S. PATENT DOCUMENTS

4,556,803 A * 12/1985 Weigert 307/140

1 Claim, 5 Drawing Sheets



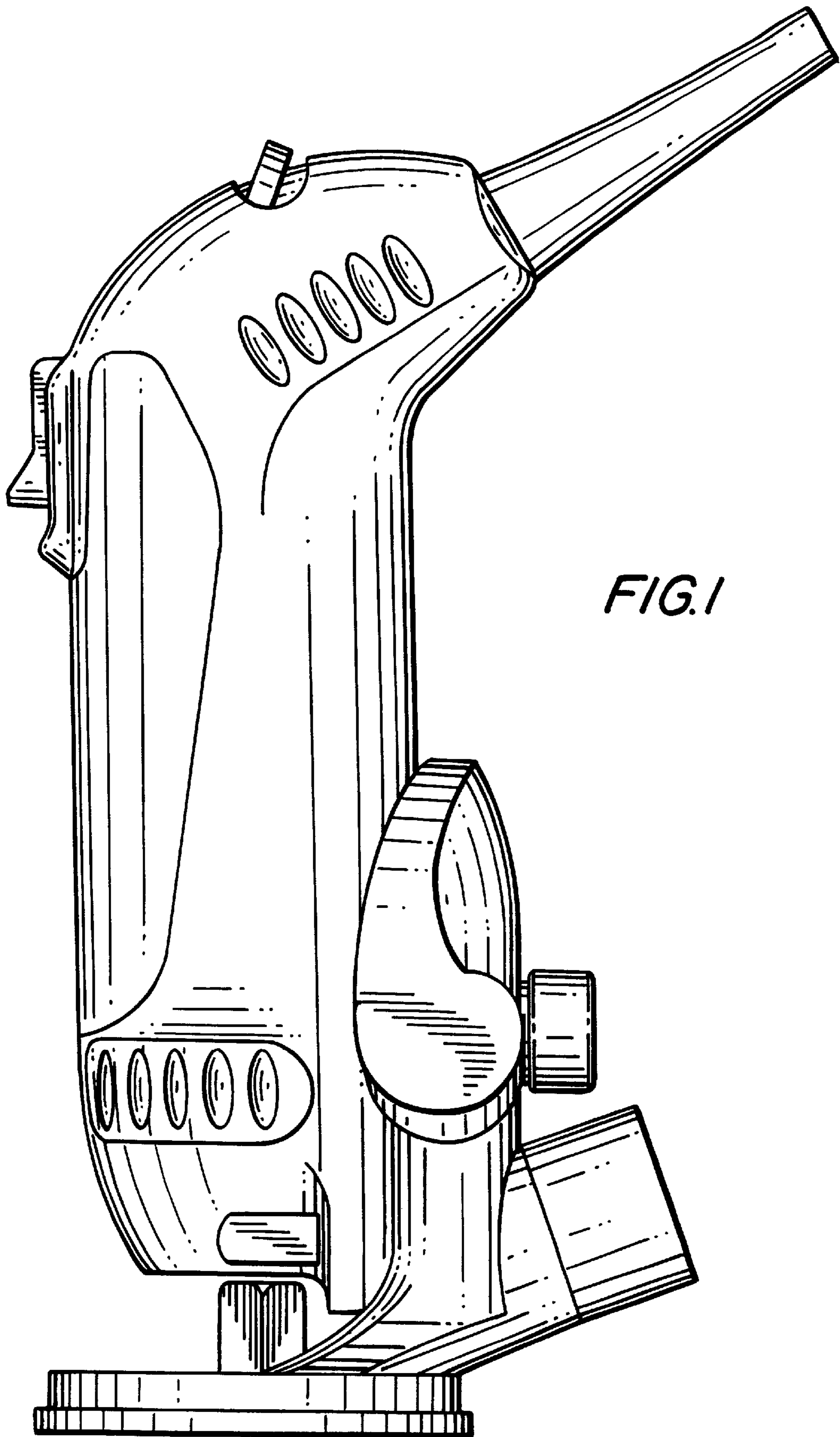


FIG. 1

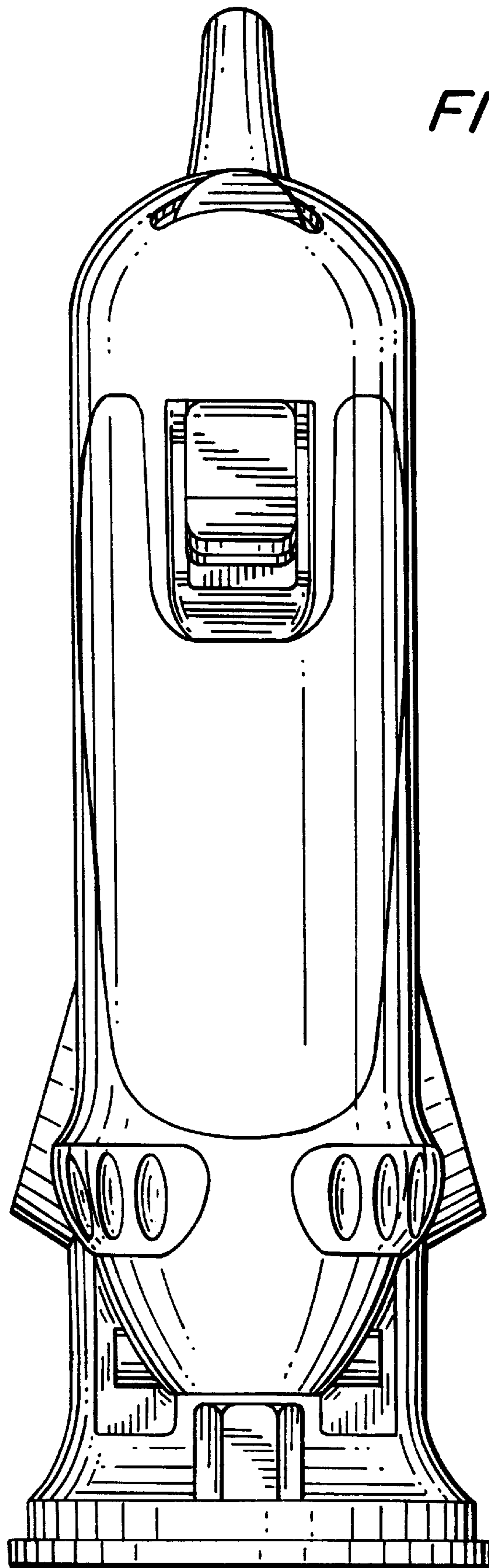


FIG. 2

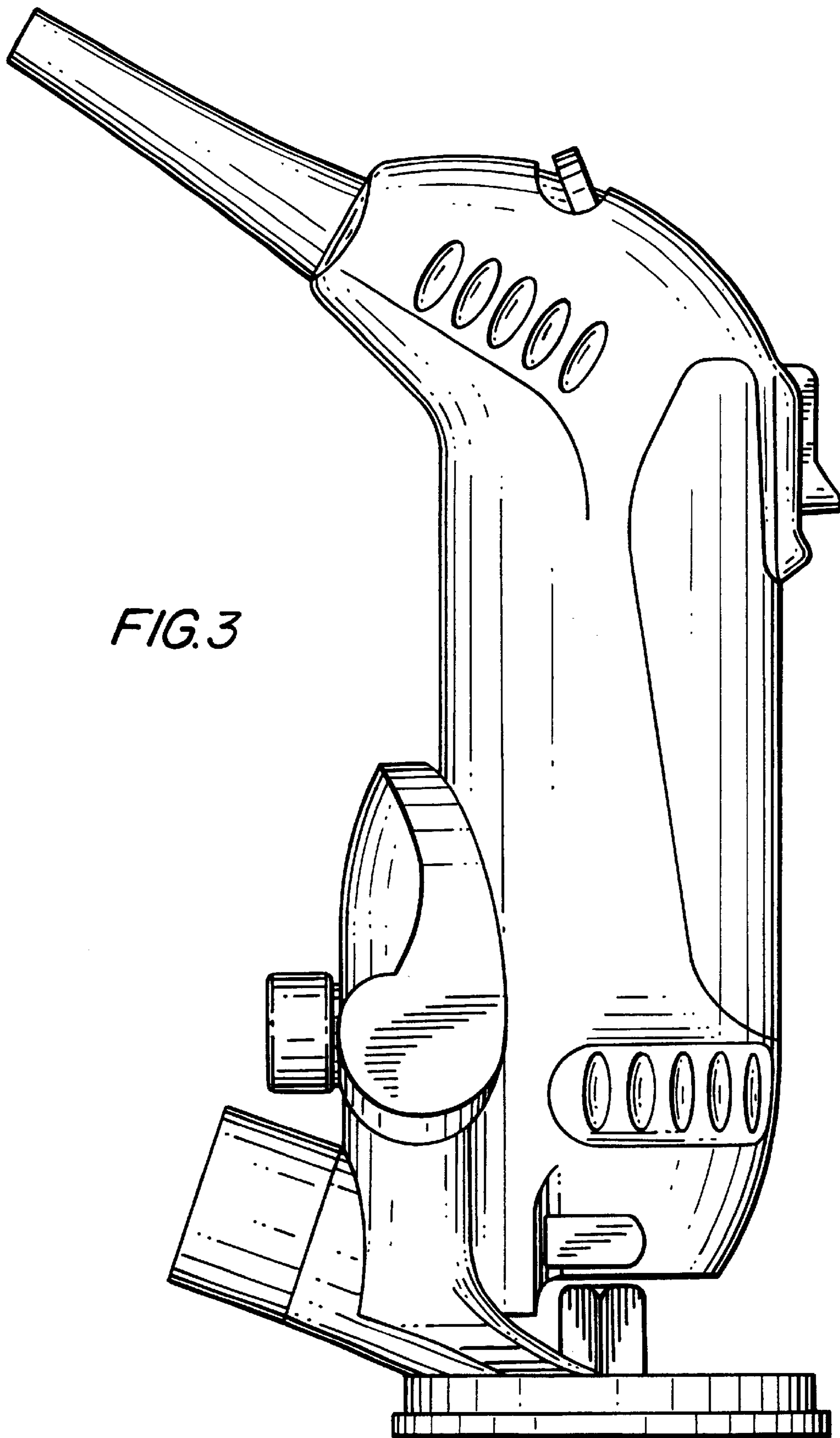


FIG. 3

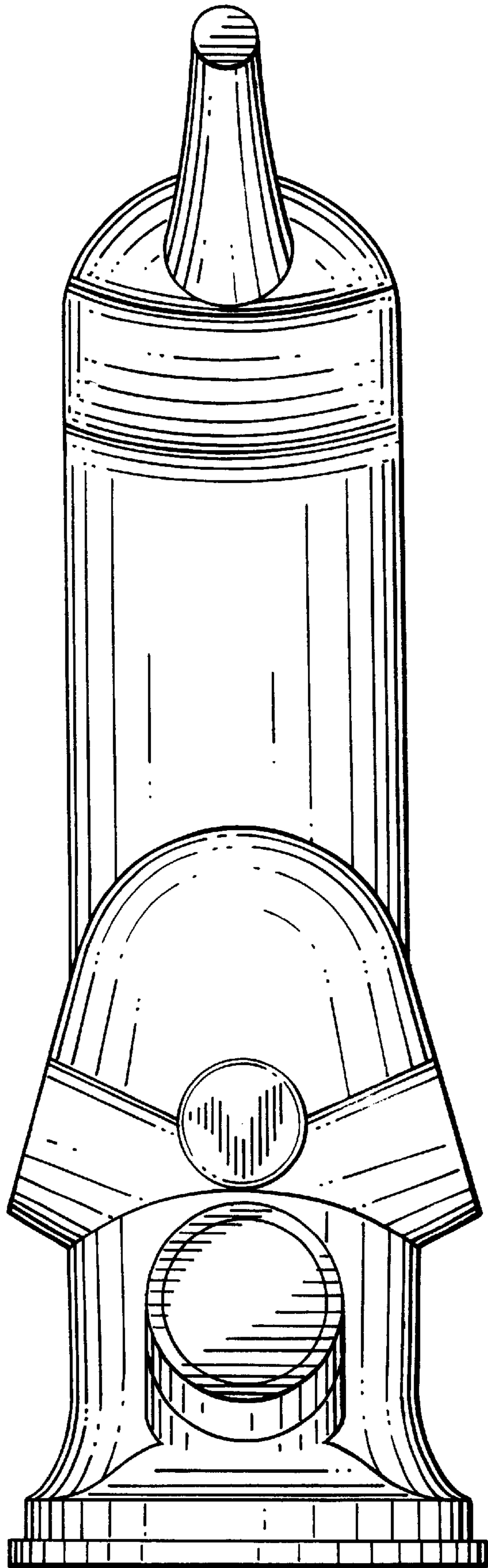


FIG. 4

FIG. 5

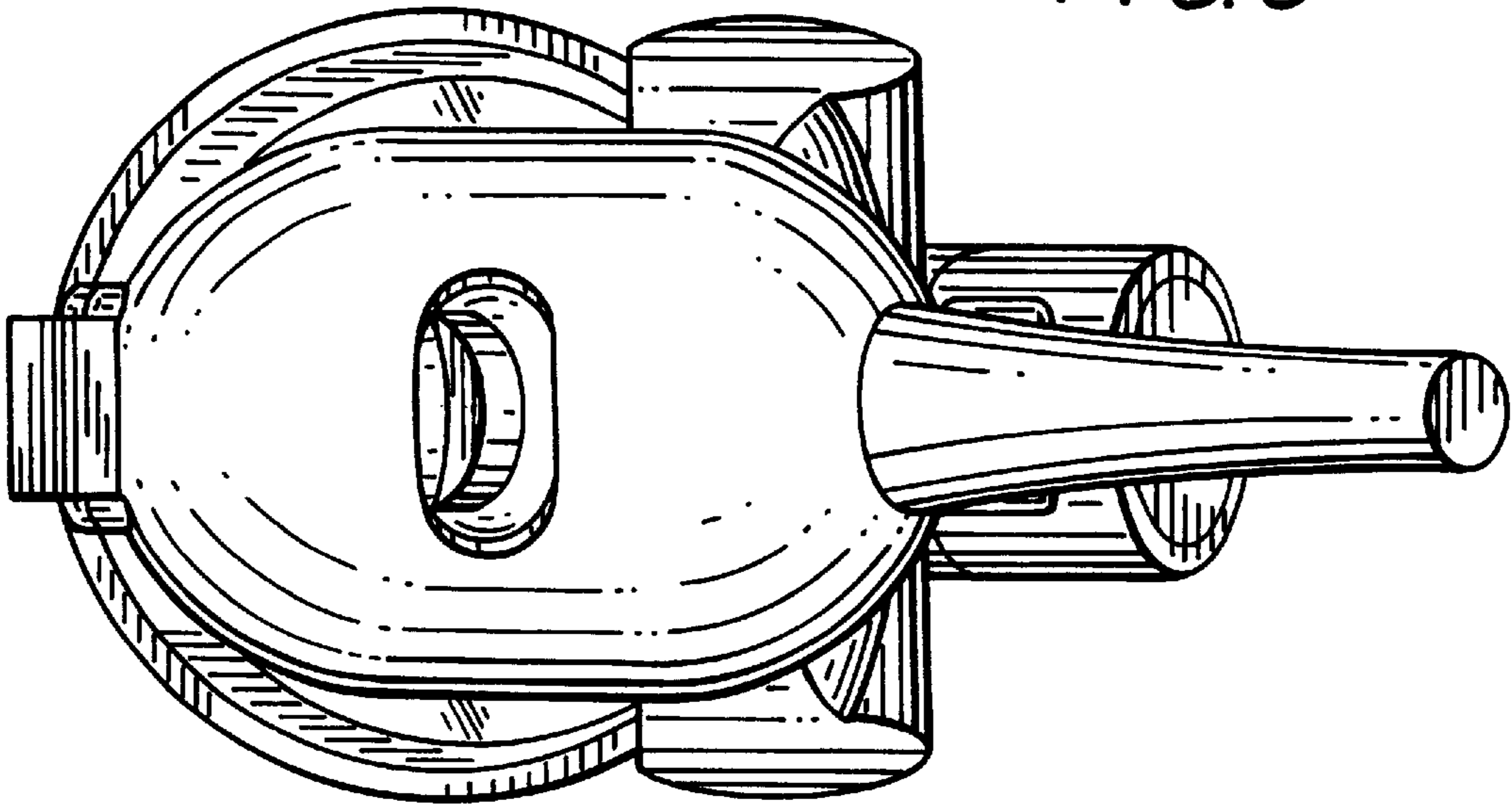


FIG. 6

