



US00D455322S

(12) **United States Design Patent**
Kossack

(10) **Patent No.:** **US D455,322 S**

(45) **Date of Patent:** **** Apr. 9, 2002**

(54) **DEVICE FOR HOLDING A BAGEL WHILE BEING CUT**

(76) **Inventor:** **Joe Kossack**, 1106 N. Richman Ave., Fullerton, CA (US) 92835

(**) **Term:** **14 Years**

(21) **Appl. No.:** **29/135,159**

(22) **Filed:** **Jan. 8, 2001**

(51) **LOC (7) Cl.** **07-04**

(52) **U.S. Cl.** **D7/673**

(58) **Field of Search** D7/672, 673; 83/451, 83/454, 672, 761, 932; 269/87.2, 287, 288, 291, 295

(56) **References Cited**

U.S. PATENT DOCUMENTS

- 5,481,953 A * 1/1996 McLeod 83/762
- D388,288 S * 12/1997 Frye, Jr. et al. D7/673
- 5,927,701 A * 7/1999 Chapman 269/87.2

OTHER PUBLICATIONS

Chef's Catalog, Jun. 1997, Knife Sharpener, top of page.*

* cited by examiner

Primary Examiner—Terry A. Wallace

(74) *Attorney, Agent, or Firm*—Goldstein Law Office, P.C.

(57) **CLAIM**

The ornamental design for a device for holding a bagel while being cut, as shown and described.

DESCRIPTION

FIG. 1 is a perspective view of a device for holding a bagel while being cut.

FIG. 2 is a left side elevational view thereof, the right side elevational view being a mirror image of the left side view.

FIG. 3 is a front elevational view thereof.

FIG. 4 is a rear elevational view thereof.

FIG. 5 is a top plan view of the device for holding a bagel while being cut; and,

FIG. 6 is a bottom plan view thereof.

1 Claim, 3 Drawing Sheets

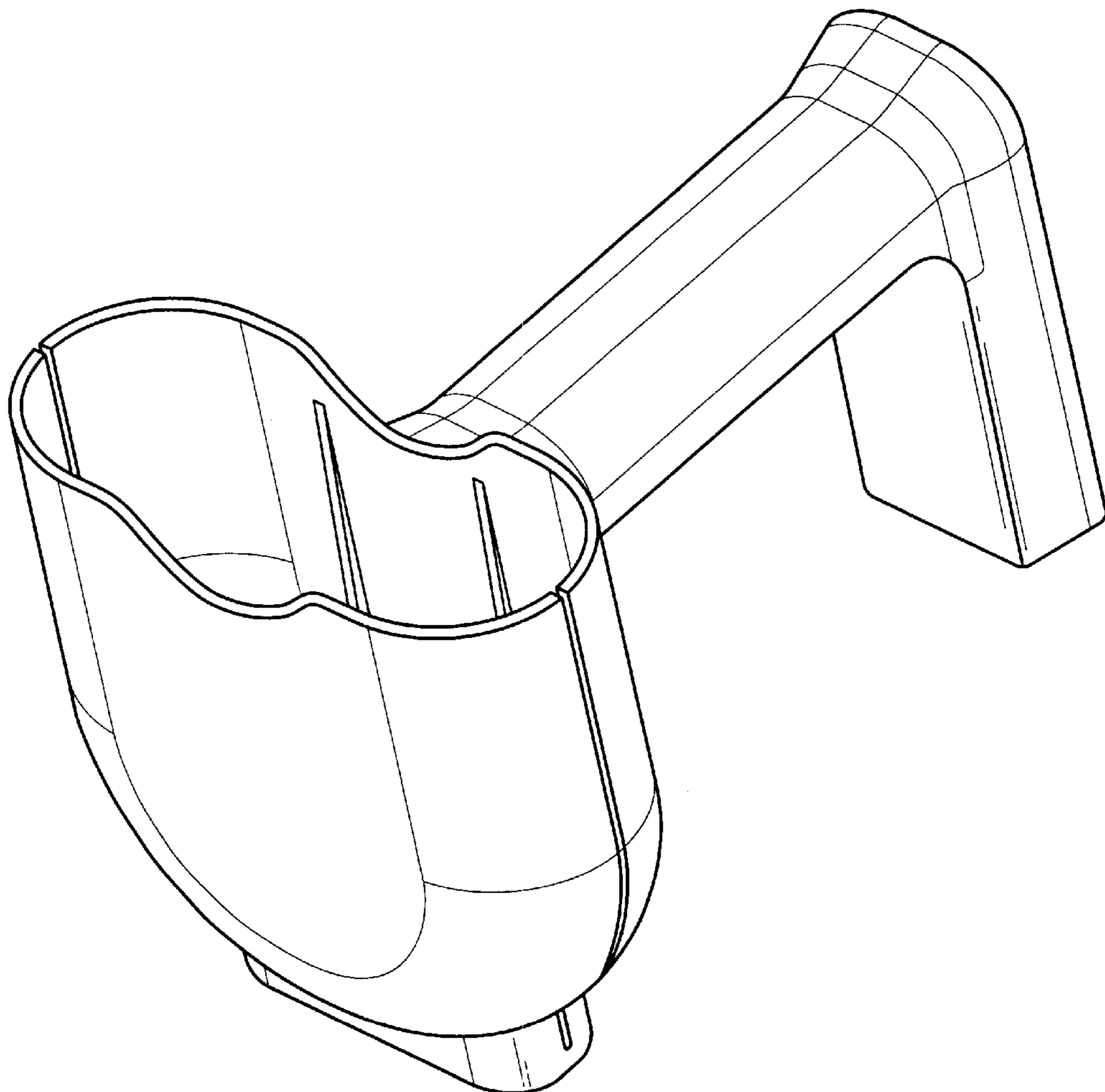


Fig. 1

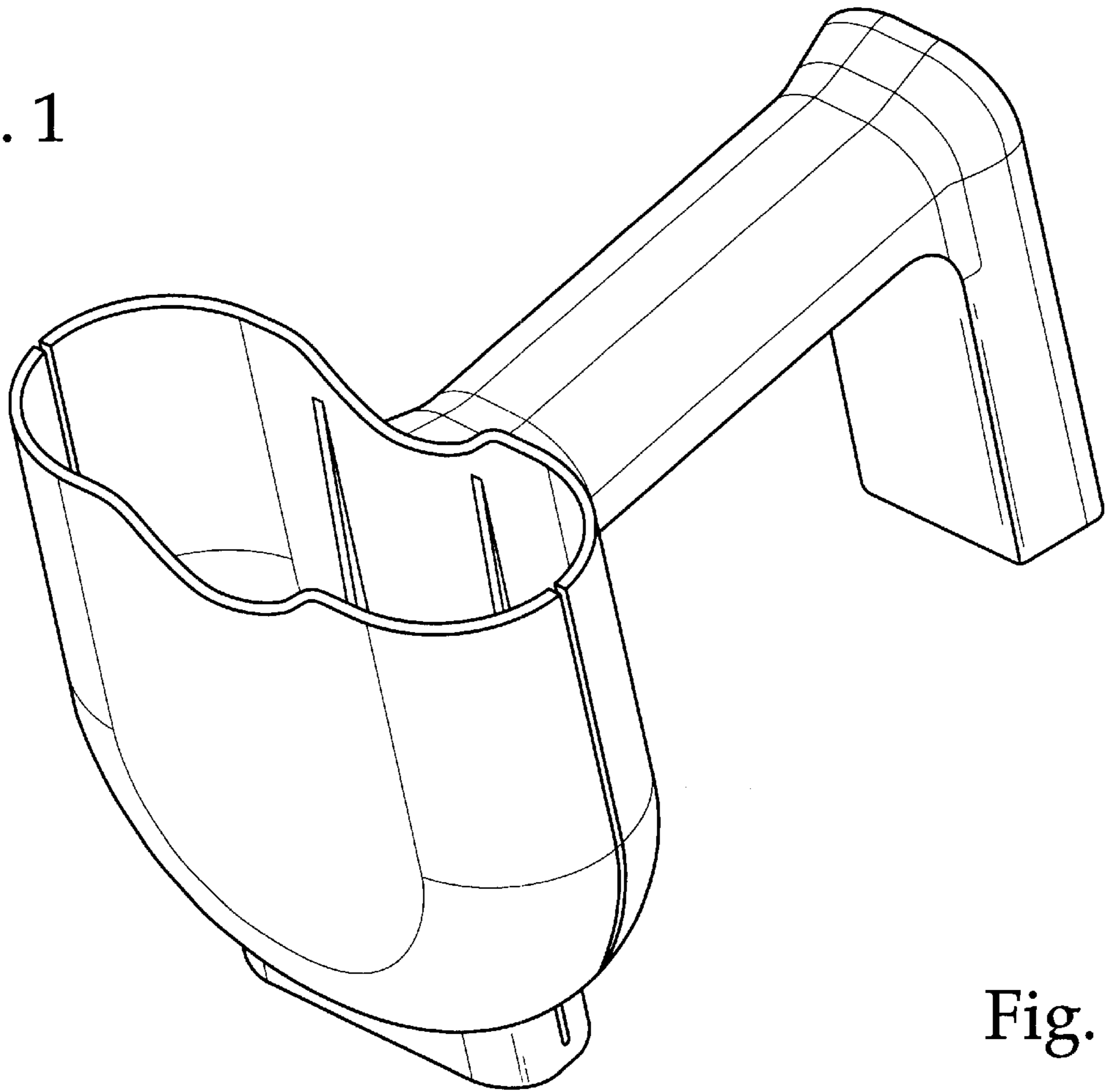


Fig. 2

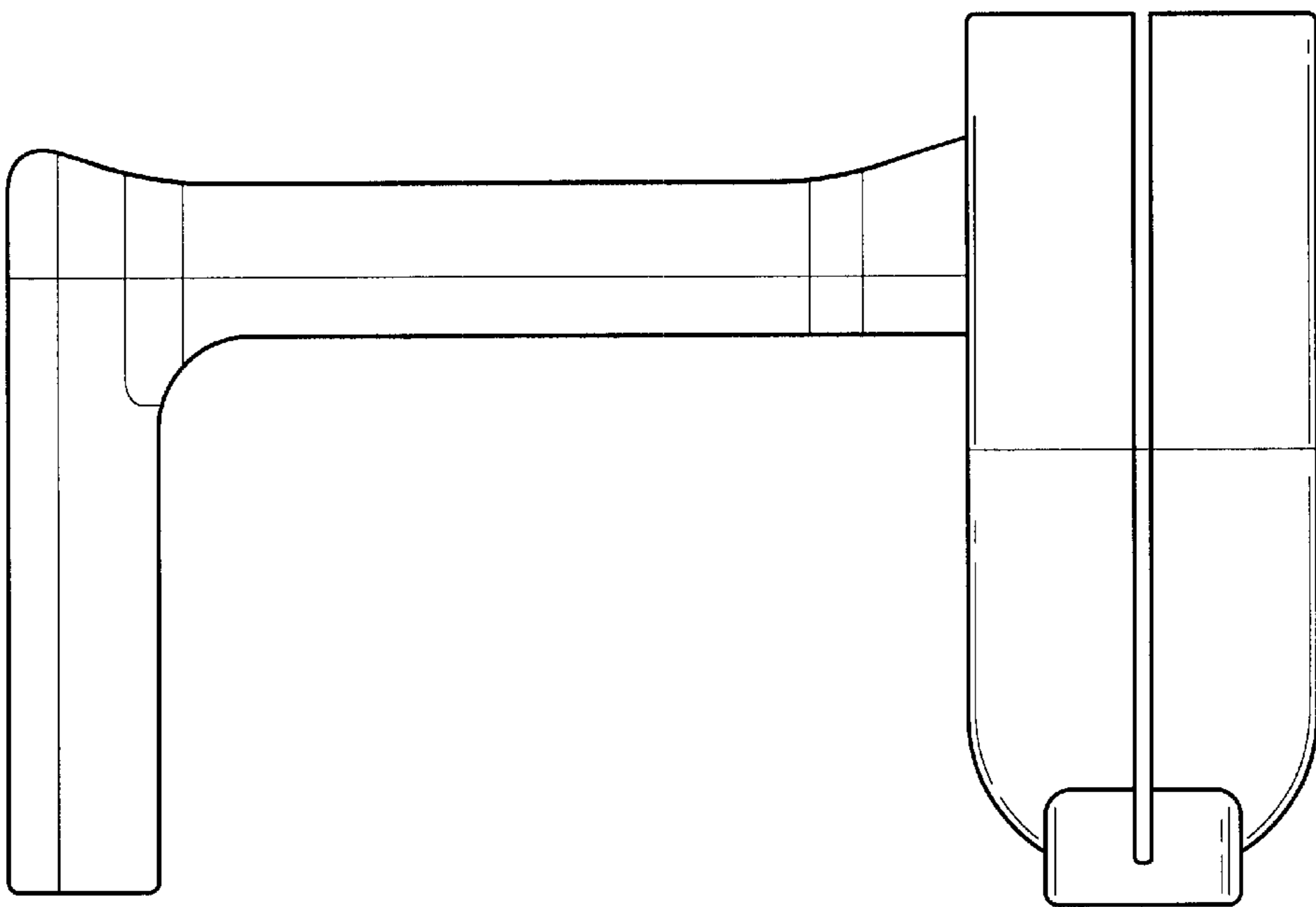


Fig. 3

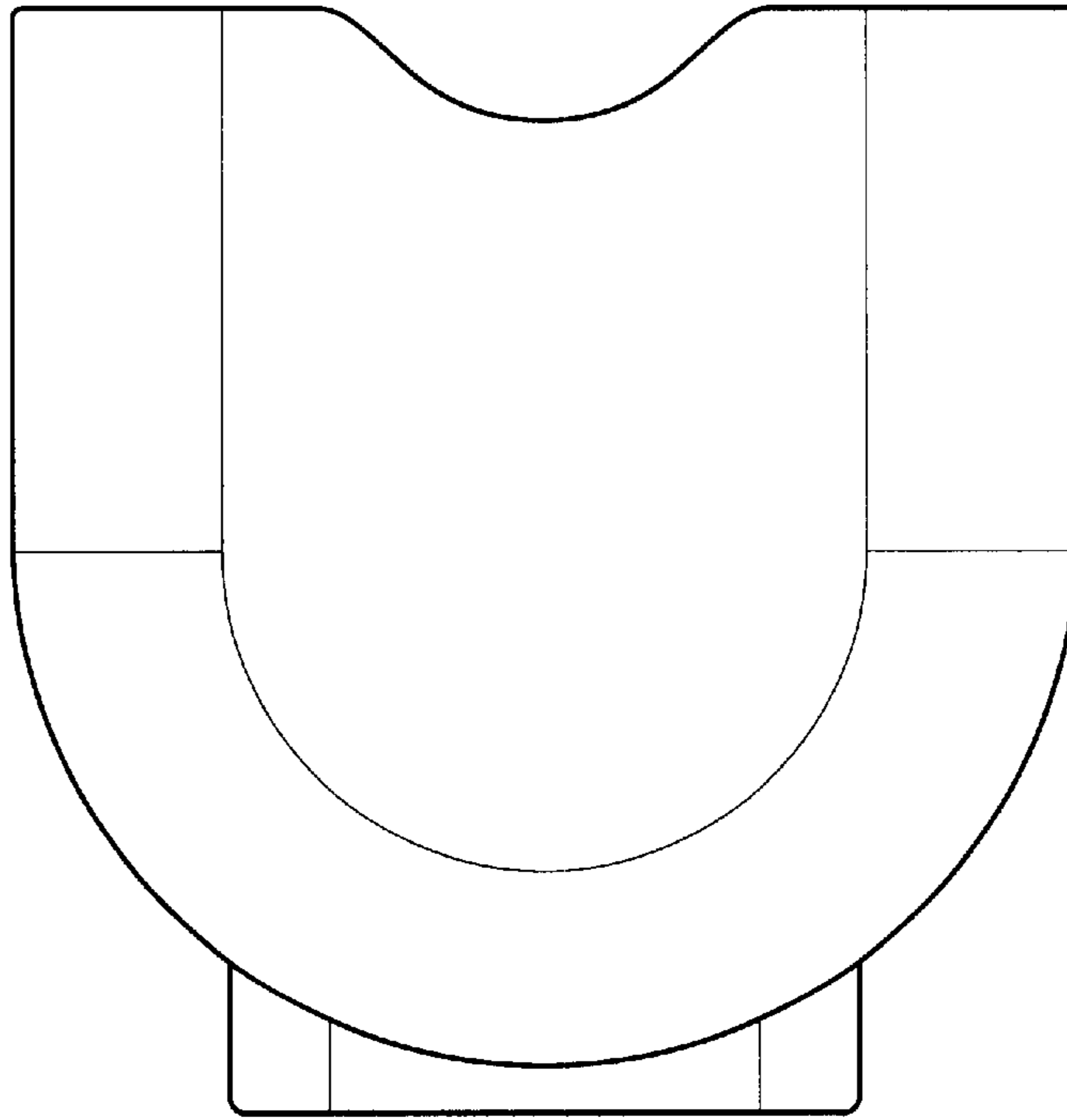


Fig. 4

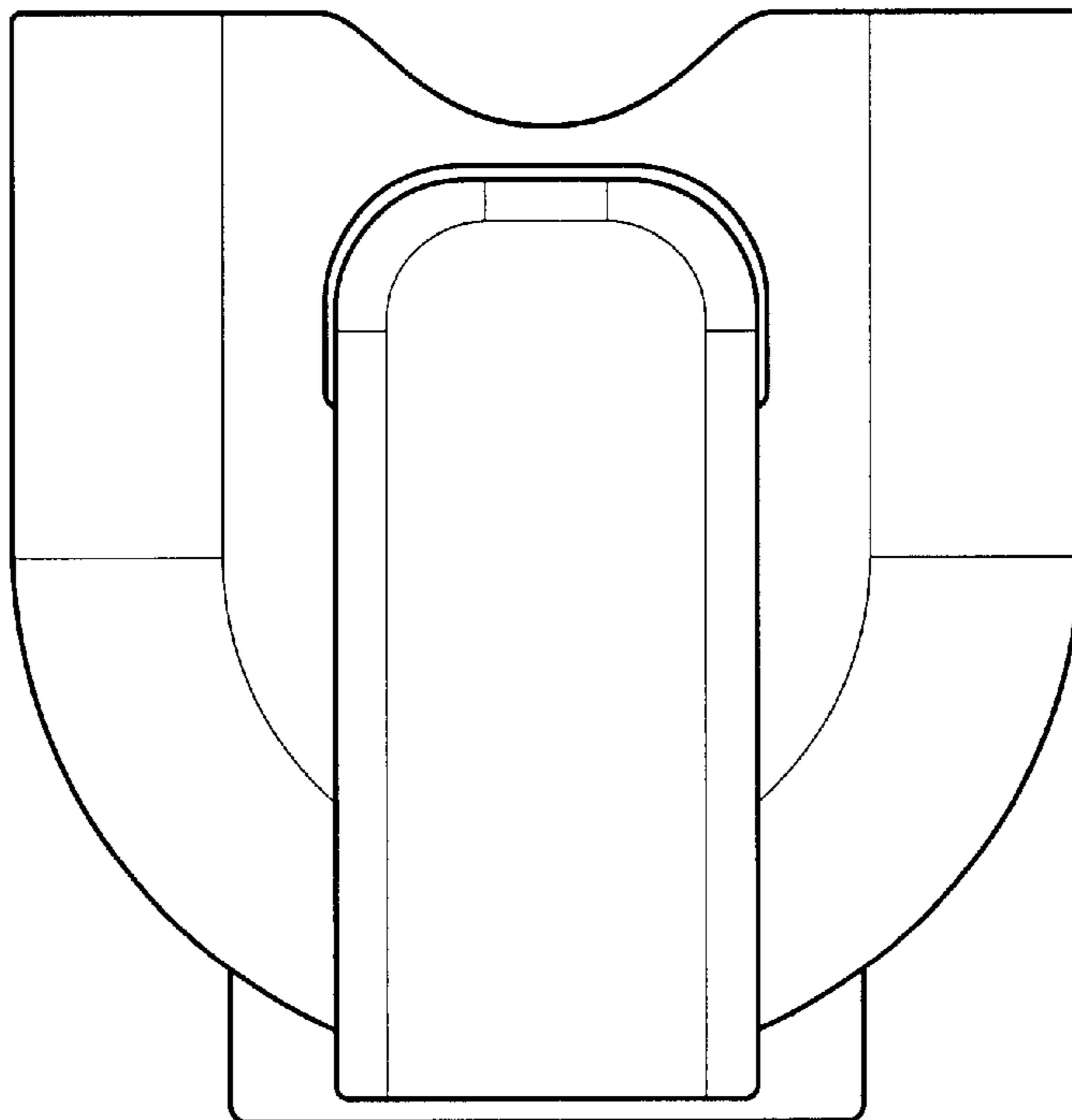


Fig. 5

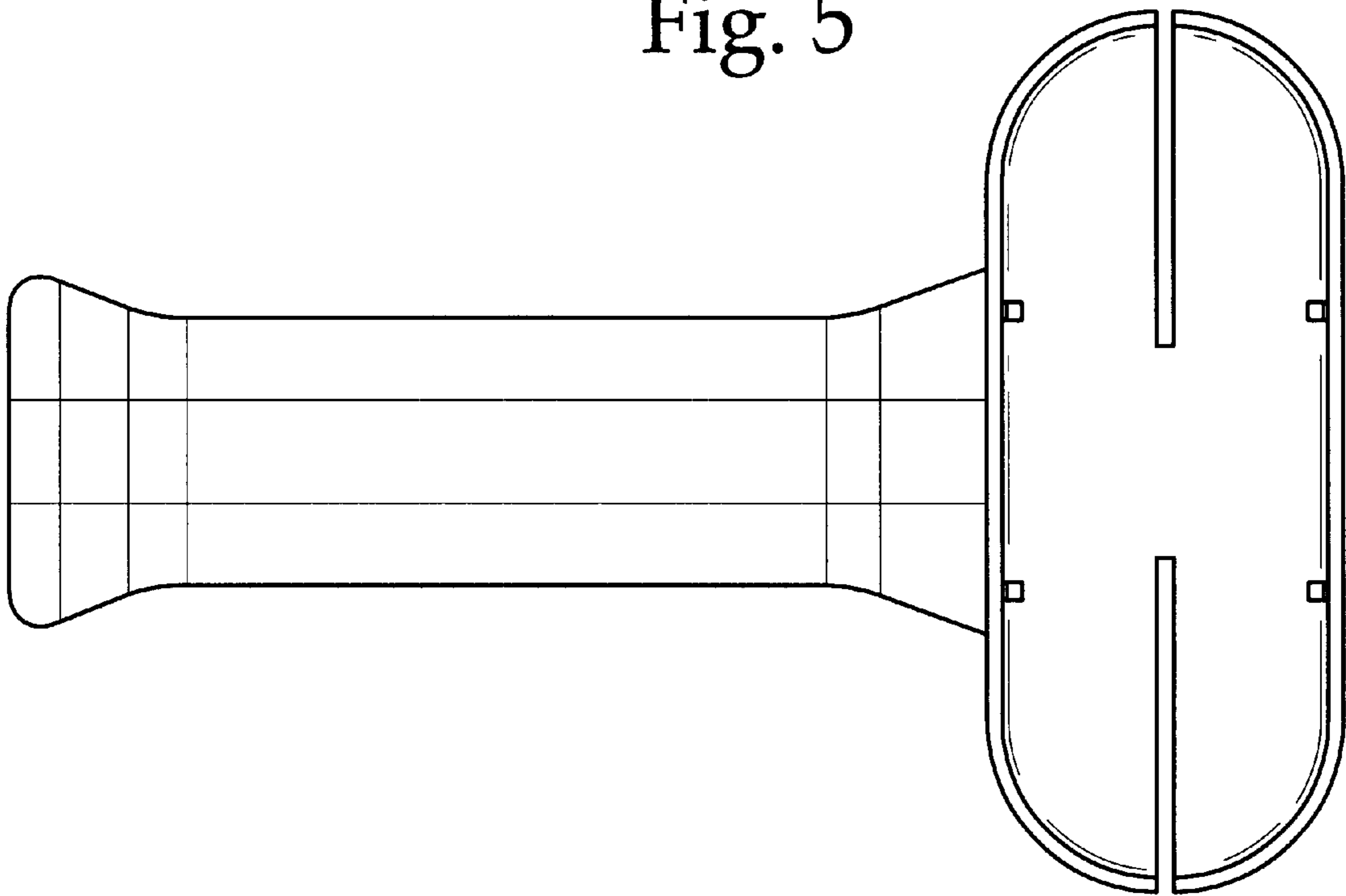


Fig. 6

