



US00D455318S

(12) **United States Design Patent**
Miller

(10) **Patent No.:** **US D455,318 S**

(45) **Date of Patent:** **** *Apr. 9, 2002**

- (54) **PIZZA SLICE CONTAINER**
- (75) Inventor: **D. Scott Miller**, Orlando, FL (US)
- (73) Assignee: **Dart Industries Inc.**, Orlando, FL (US)
- (*) Notice: This patent is subject to a terminal disclaimer.
- (**) Term: **14 Years**
- (21) Appl. No.: **29/110,719**
- (22) Filed: **Sep. 10, 1999**
- (51) **LOC (7) Cl.** **07-01**
- (52) **U.S. Cl.** **D7/602**
- (58) **Field of Search** D7/602, 629; D9/414, D9/424-427, 430; 220/281, 793, 805

- D336,589 S 6/1993 Schindler D7/540
- D391,808 S 3/1998 Voege D7/629
- D395,797 S 7/1998 Sirlin D7/629

OTHER PUBLICATIONS

Pizza & Pie Keeper—Progressive International Corporation, Seattle Washington 98108, 1998.
 Slice Saver—EHI—East Hampton, NY 11937, 1998.
 Pizza Keeper—LLC—Wading River, NY 11792—1998.

Primary Examiner—Terry A. Wallace
 (74) *Attorney, Agent, or Firm*—Taylor J. Ross

(57) **CLAIM**

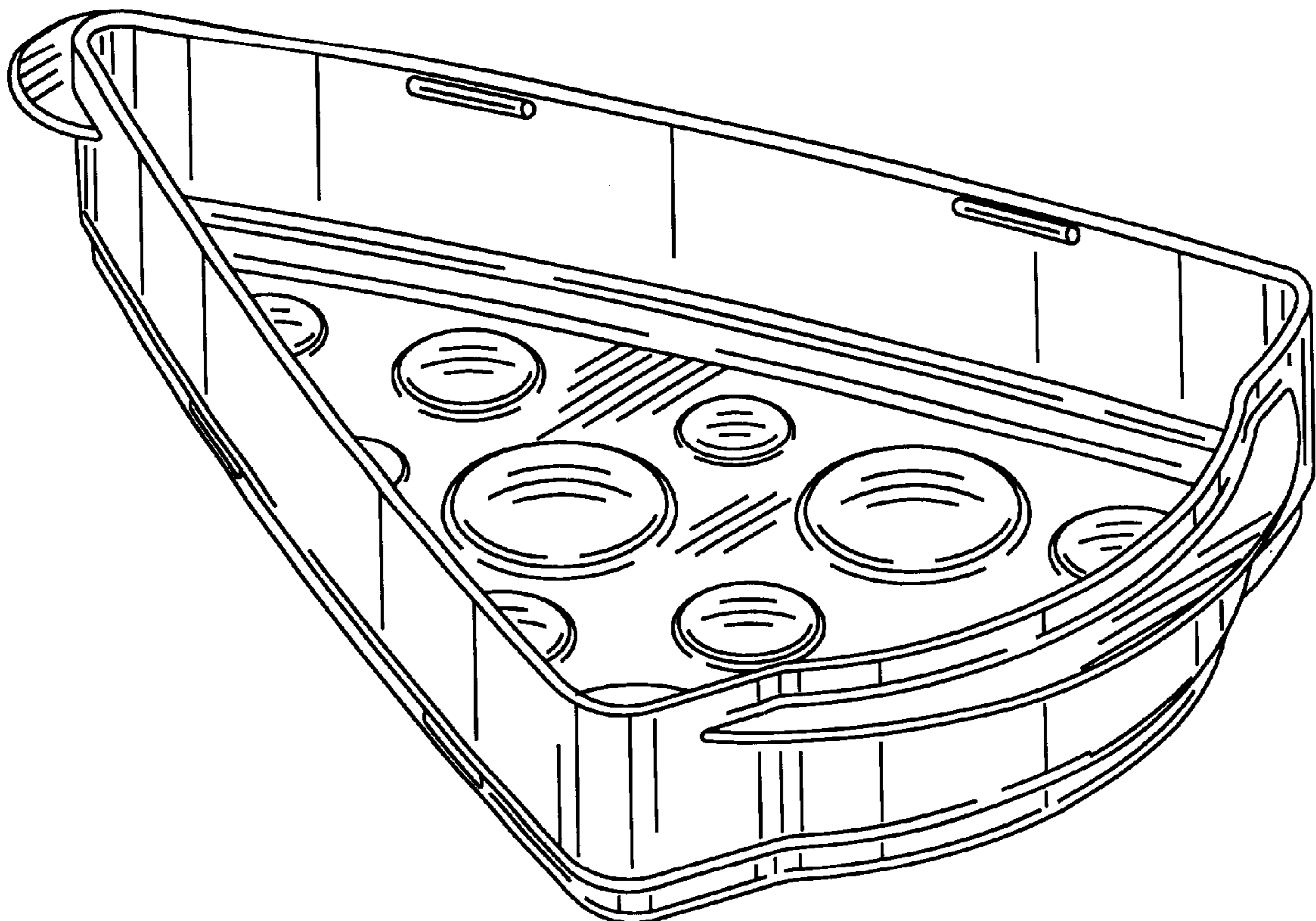
The ornamental design for a pizza slice container, as shown and described.

DESCRIPTION

FIG. 1 is a top, side and rear perspective view of a pizza slice container showing the new design without a lid;
 FIG. 2 is a right side elevation view thereof;
 FIG. 3 is a left side elevation view thereof;
 FIG. 4 is a rear elevation view thereof;
 FIG. 5 is a front elevation view thereof;
 FIG. 6 is a top plan view thereof; and,
 FIG. 7 is a bottom plan view thereof.

1 Claim, 3 Drawing Sheets

- (56) **References Cited**
- U.S. PATENT DOCUMENTS**
- D137,262 S 12/1944 Hiemenz
- 2,388,442 A 11/1945 Reyburn 206/4
- 2,789,608 A 3/1955 Tupper 150/5
- 3,620,411 A 11/1971 Rump 220/31 S
- D224,133 S 7/1972 Swett
- 4,886,179 A 12/1989 Volk 220/23.4



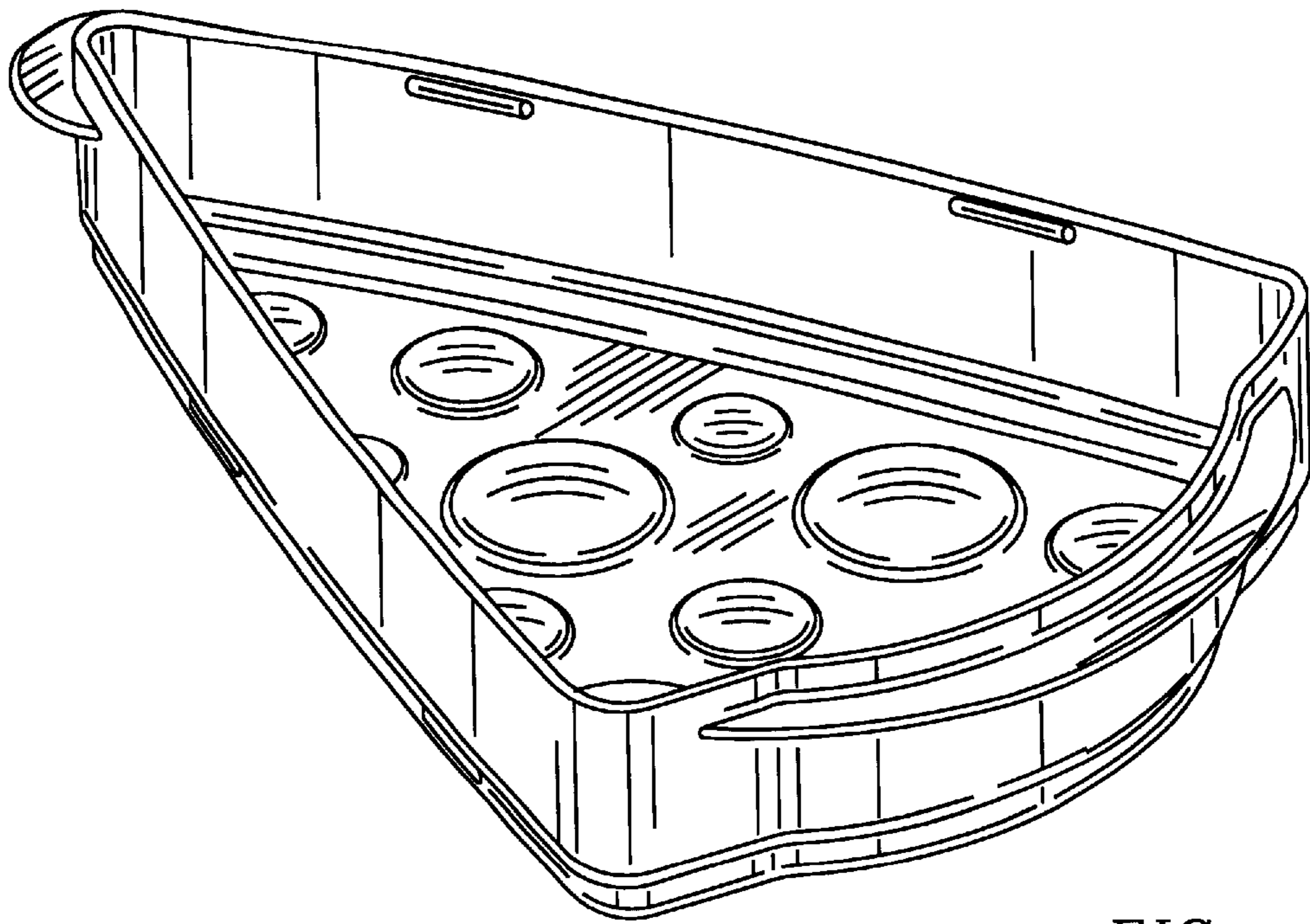


FIG. 1

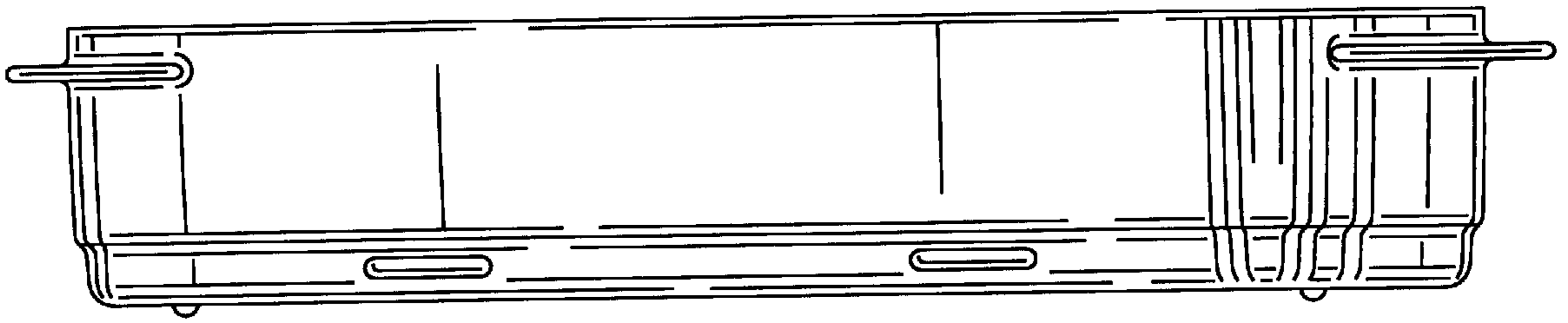


FIG. 2

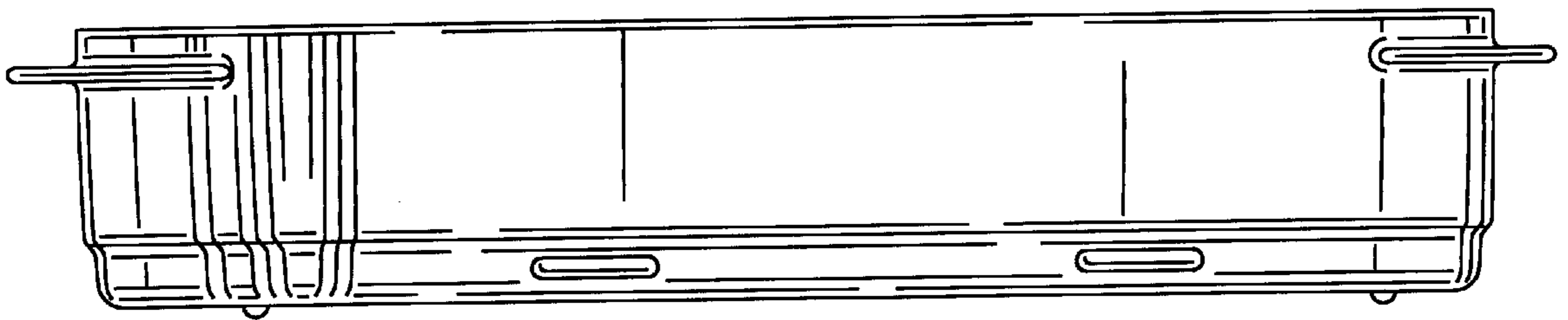


FIG. 3

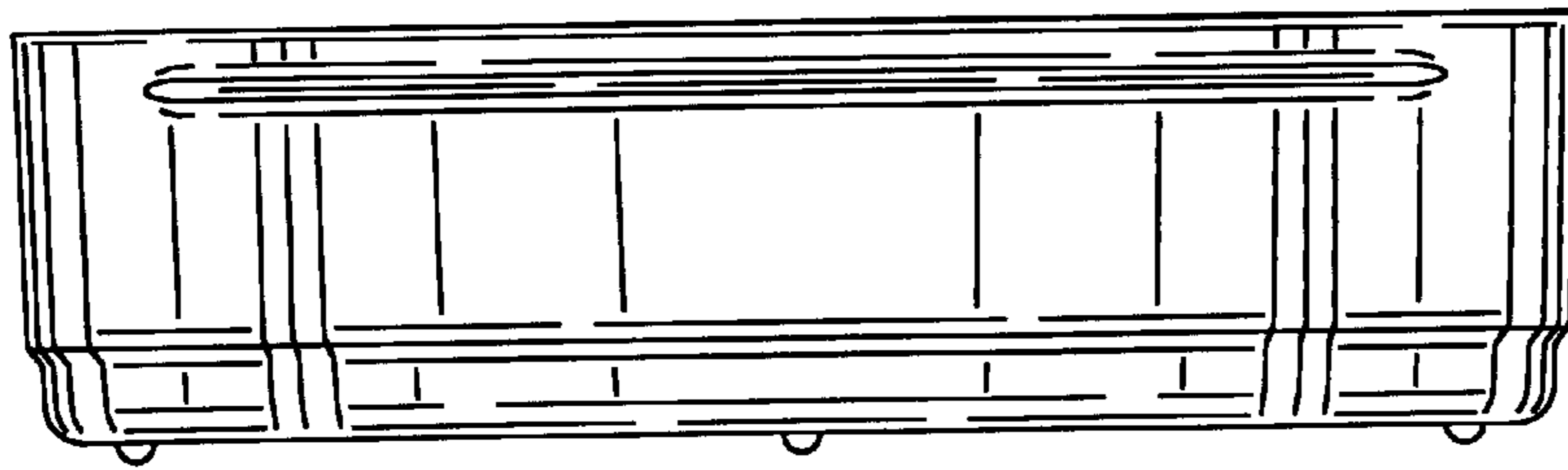


FIG. 4

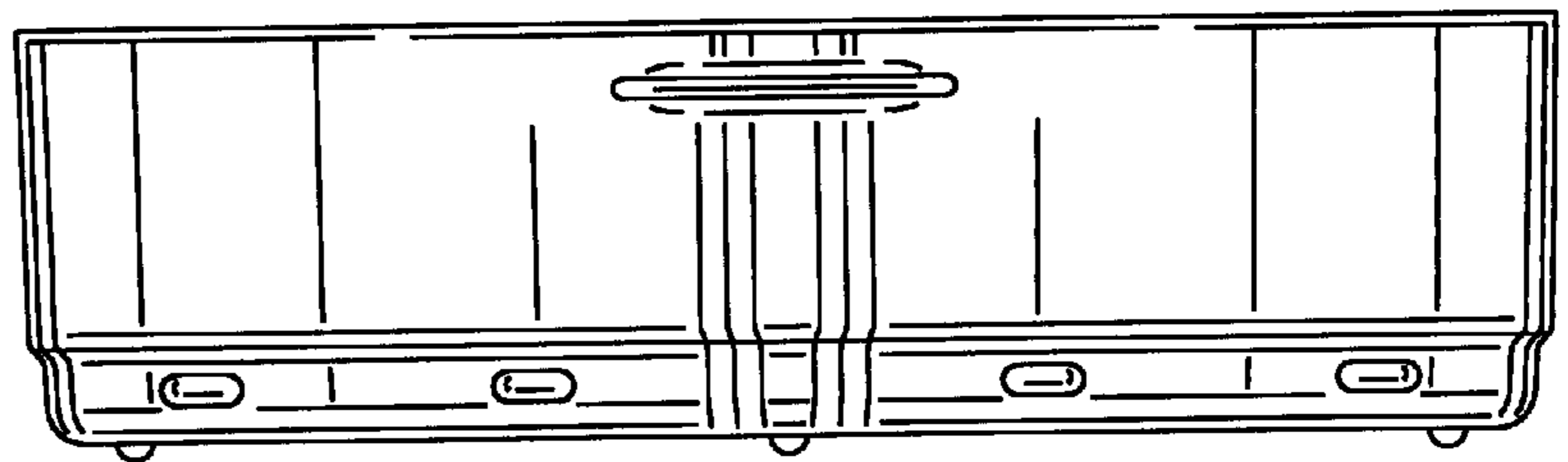


FIG. 5

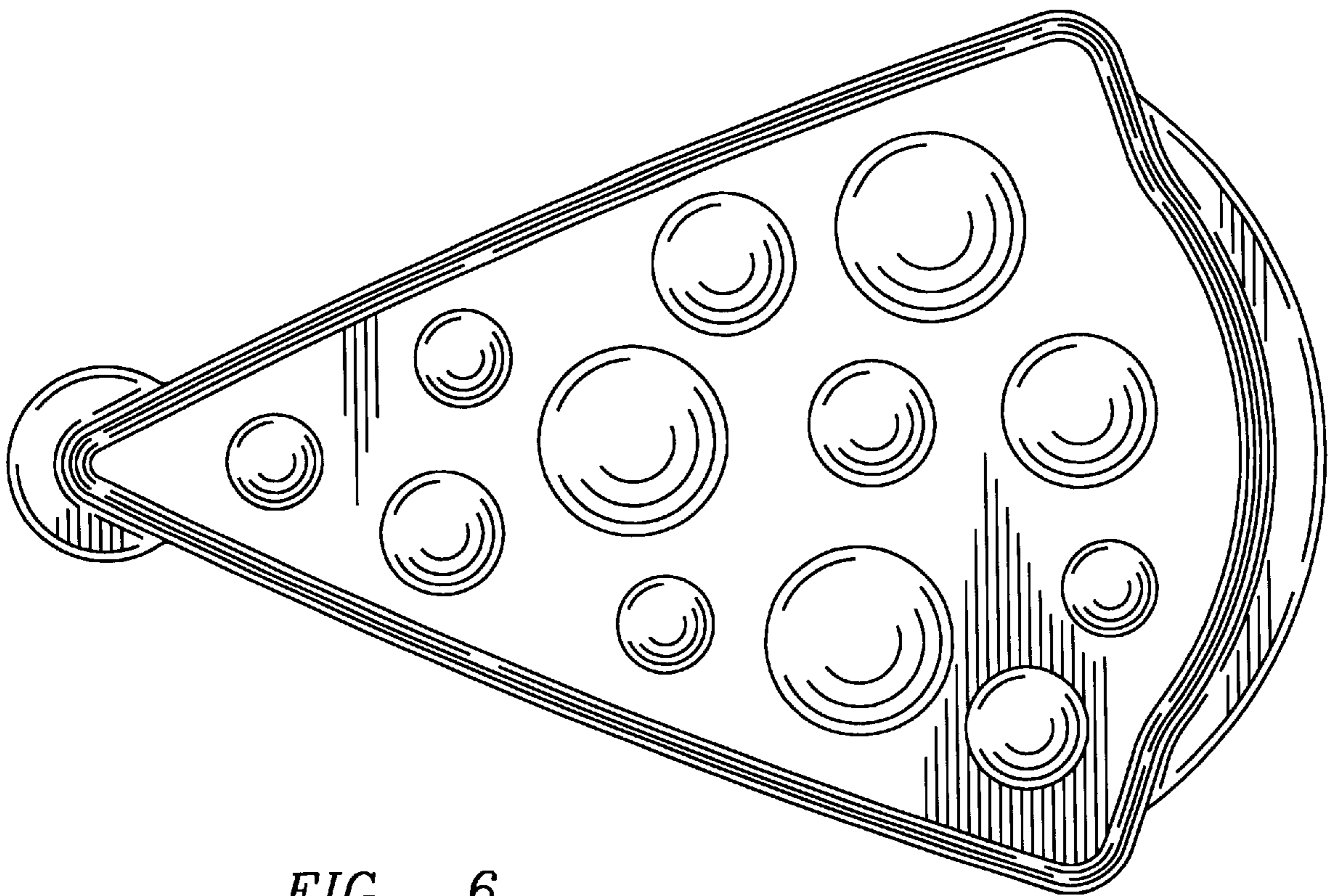


FIG. 6

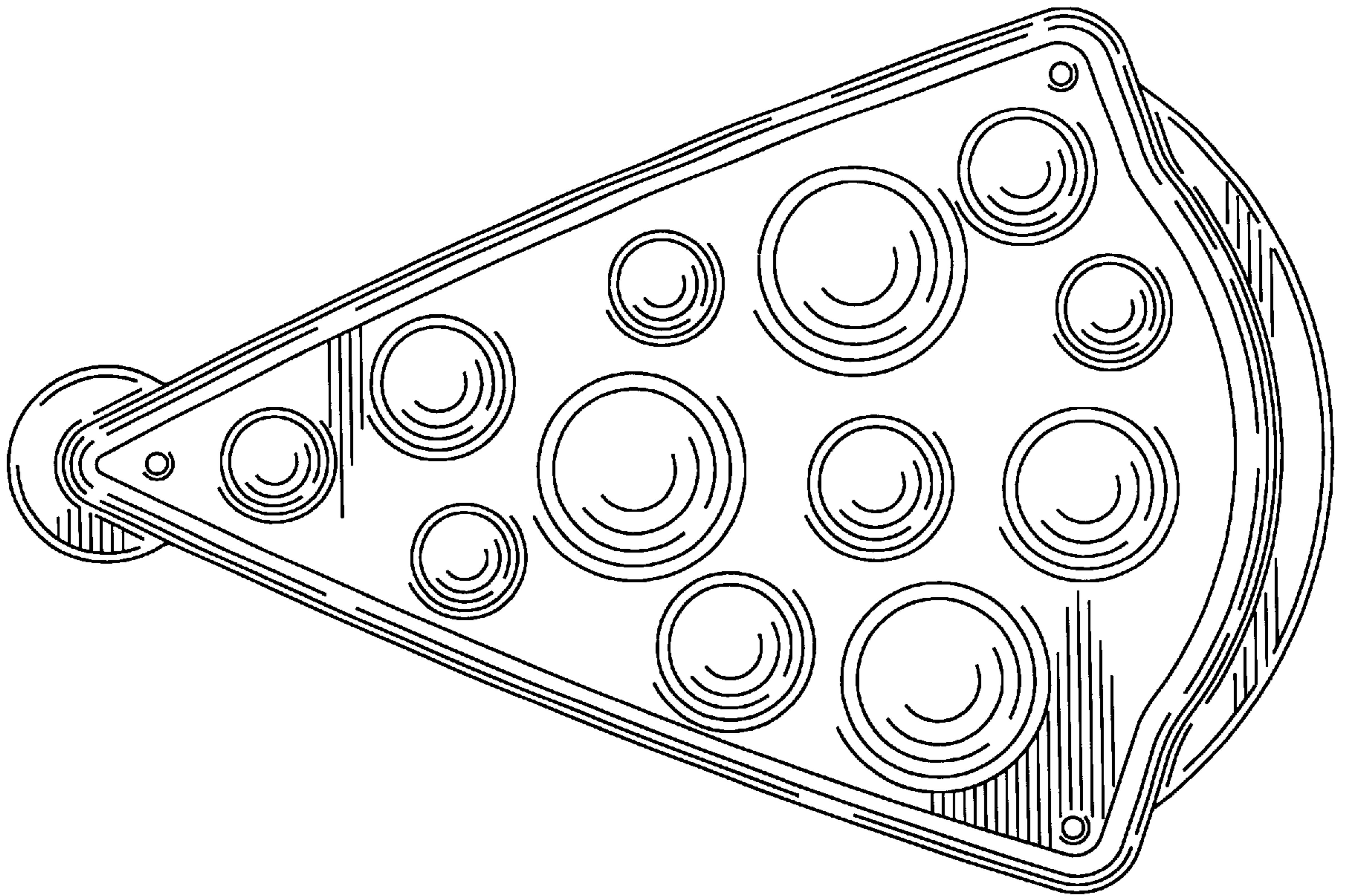


FIG. 7