



US00D455314S

(12) **United States Design Patent**
Choi

(10) **Patent No.:** **US D455,314 S**

(45) **Date of Patent:** **** Apr. 9, 2002**

(54) **KETTLE AND KETTLE BASE**

(75) **Inventor:** **Lung Wai Choi, Kowloon (HK)**

(73) **Assignee:** **Goodway Electrical Co. Ltd.,
Kowloon (HK)**

(**) **Term:** **14 Years**

(21) **Appl. No.:** **29/128,114**

(22) **Filed:** **Aug. 17, 2000**

(30) **Foreign Application Priority Data**

May 4, 2000 (GB) 2092634

(51) **LOC (7) Cl.** **07-01**

(52) **U.S. Cl.** **D7/319; D7/305; D7/317;
D7/322**

(58) **Field of Search** **D7/300-312, 321,
D7/322, 305, 316, 317, 318, 319; 222/472,
465.1, 188; 99/297, 279; 215/100 A; 116/67 R;
219/437**

(56) **References Cited**

U.S. PATENT DOCUMENTS

D191,005 S	*	8/1961	Jepson	D7/321
3,218,435 A	*	11/1965	Mandziak	219/437
D363,188 S	*	10/1995	Saltet	D7/318
D369,058 S	*	4/1996	Simmons	D7/319
D390,743 S	*	2/1998	Saltet	D7/319
D413,481 S	*	9/1999	Choi	D7/319

* cited by examiner

Primary Examiner—M. N. Pandozzi

(74) *Attorney, Agent, or Firm*—Christensen O'Connor Johnson Kindness PLLC

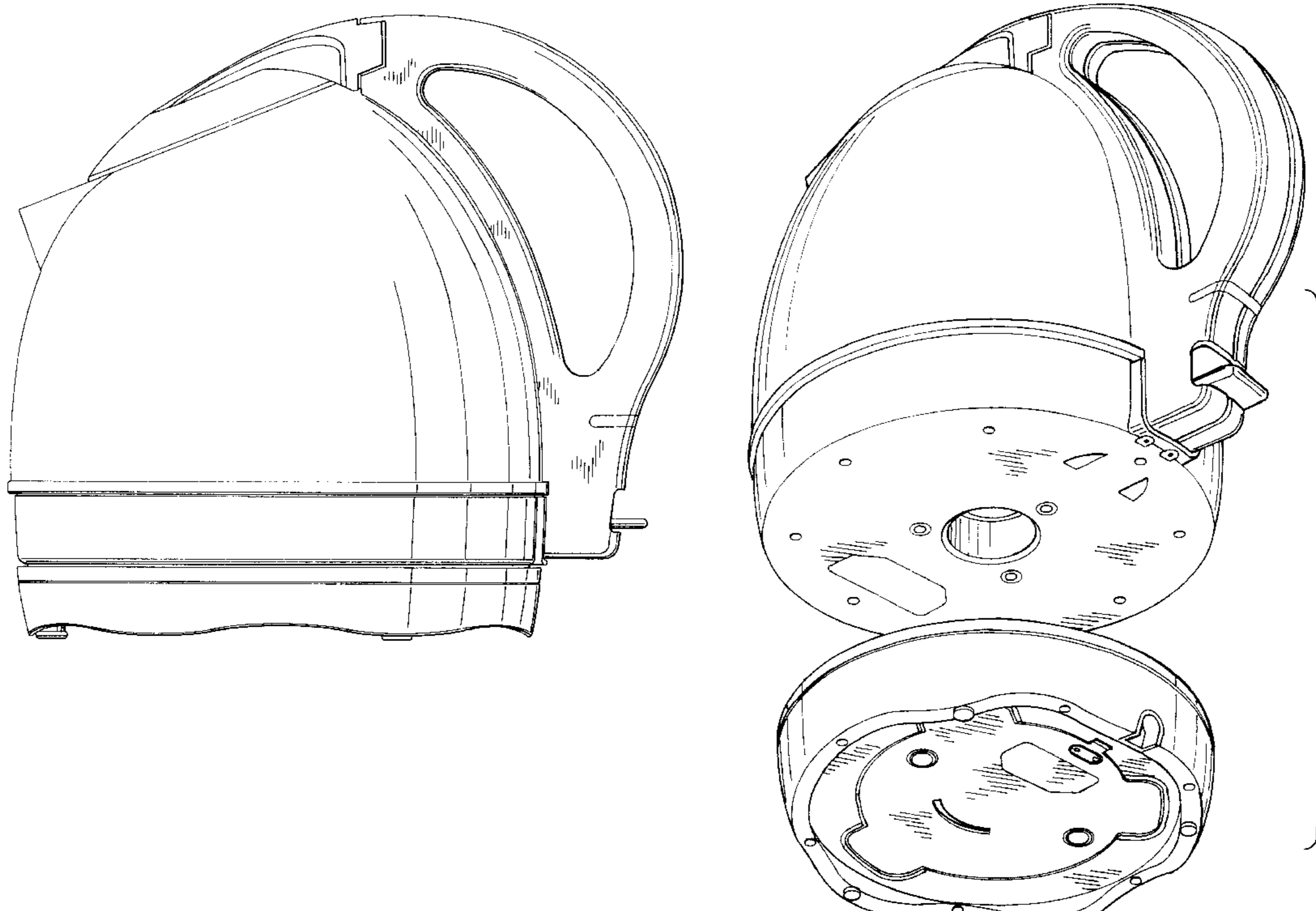
(57) **CLAIM**

I claim the ornamental design for a combined kettle and kettle base, as shown and described.

DESCRIPTION

FIG. 1 is a perspective view of a combined kettle and kettle base showing my new design;
 FIG. 2 is a front view thereof;
 FIG. 3 is a top view thereof;
 FIG. 4 is a side view thereof;
 FIG. 5 is a view from the other side thereof;
 FIG. 6 is a rear view thereof;
 FIG. 7 is a bottom view of the kettle portion of my combined kettle and base with the base removed for ease of illustration;
 FIG. 8 is a top view of the base portion of my combined kettle and base with the kettle removed for ease of illustration;
 FIG. 9 is a front view of the base portion of my combined kettle and base with the kettle removed for ease of illustration; and,
 FIG. 10 is a bottom view of the base portion of my combined kettle and base with the kettle removed for ease of illustration; and,
 FIG. 11 is an exploded perspective view of my new combined kettle and kettle base.

1 Claim, 10 Drawing Sheets



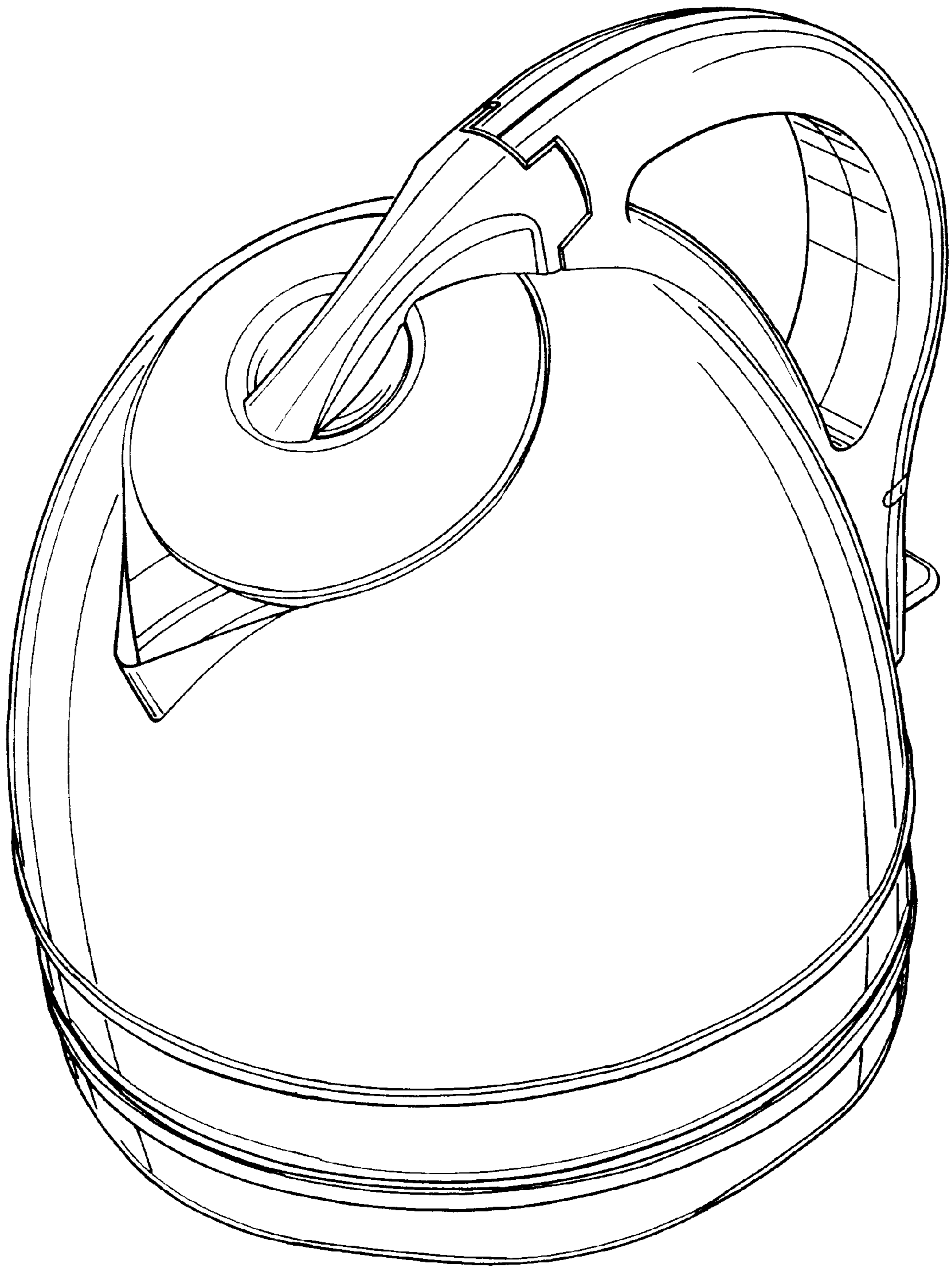


FIG 1

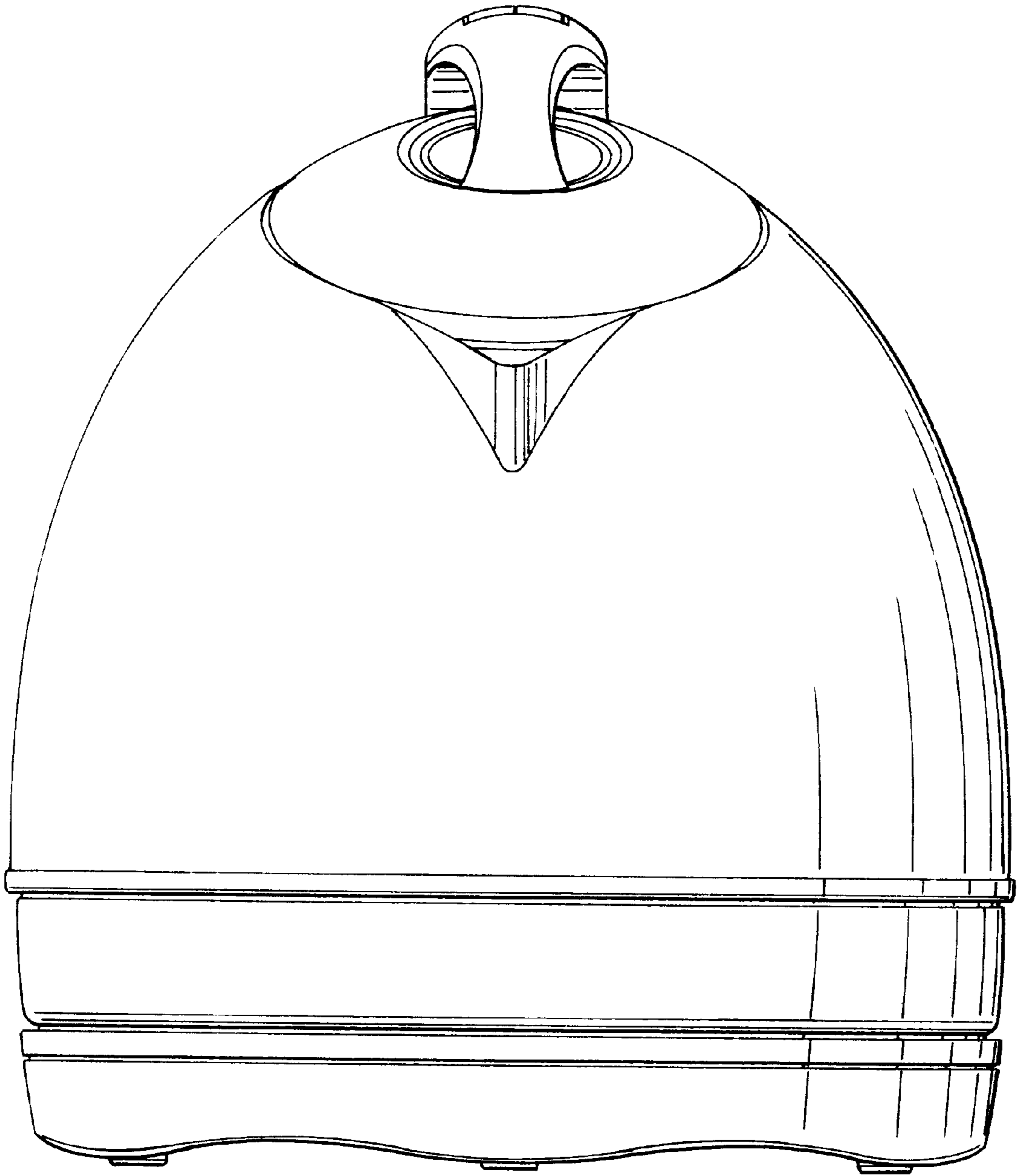


FIG 2

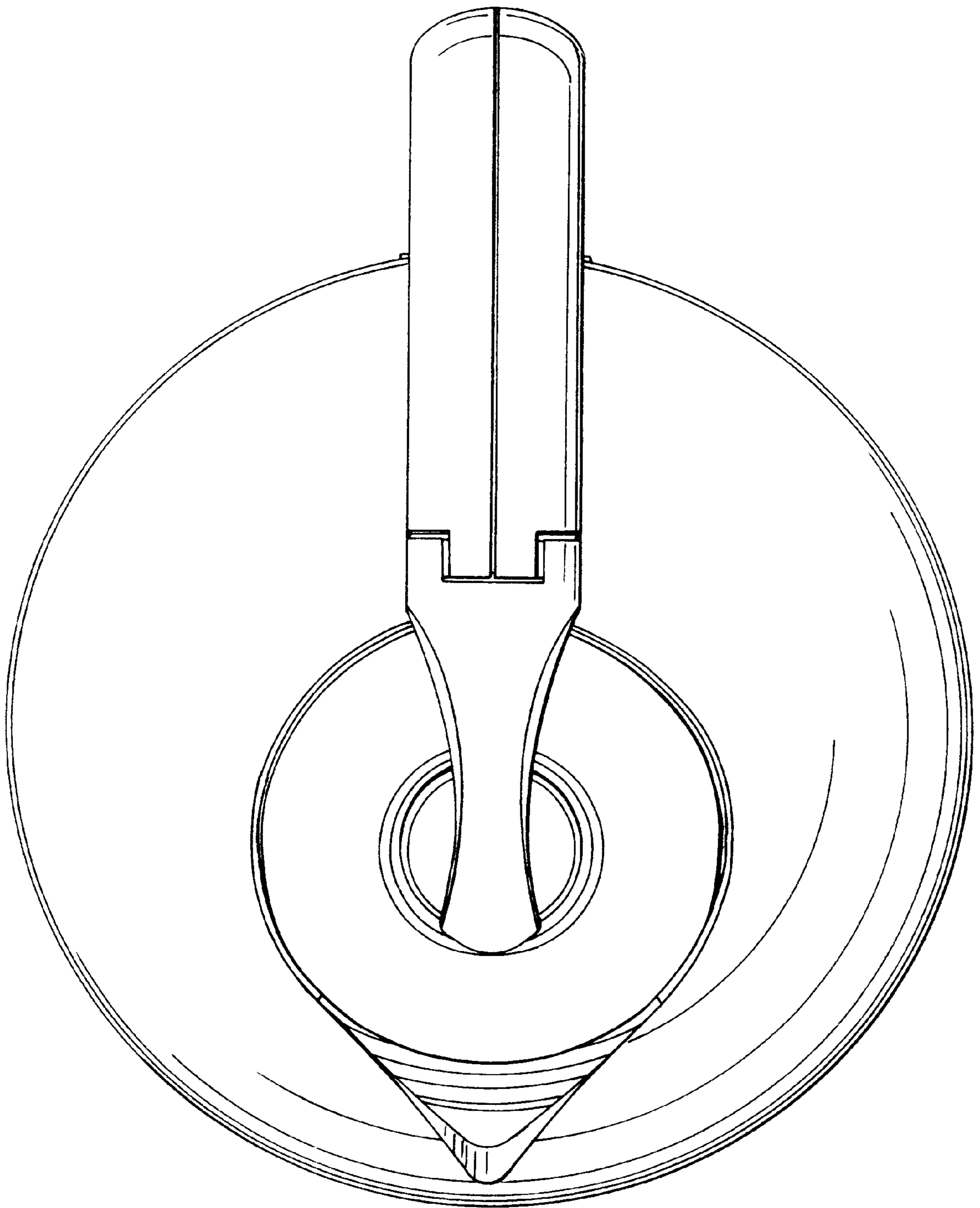


FIG 3

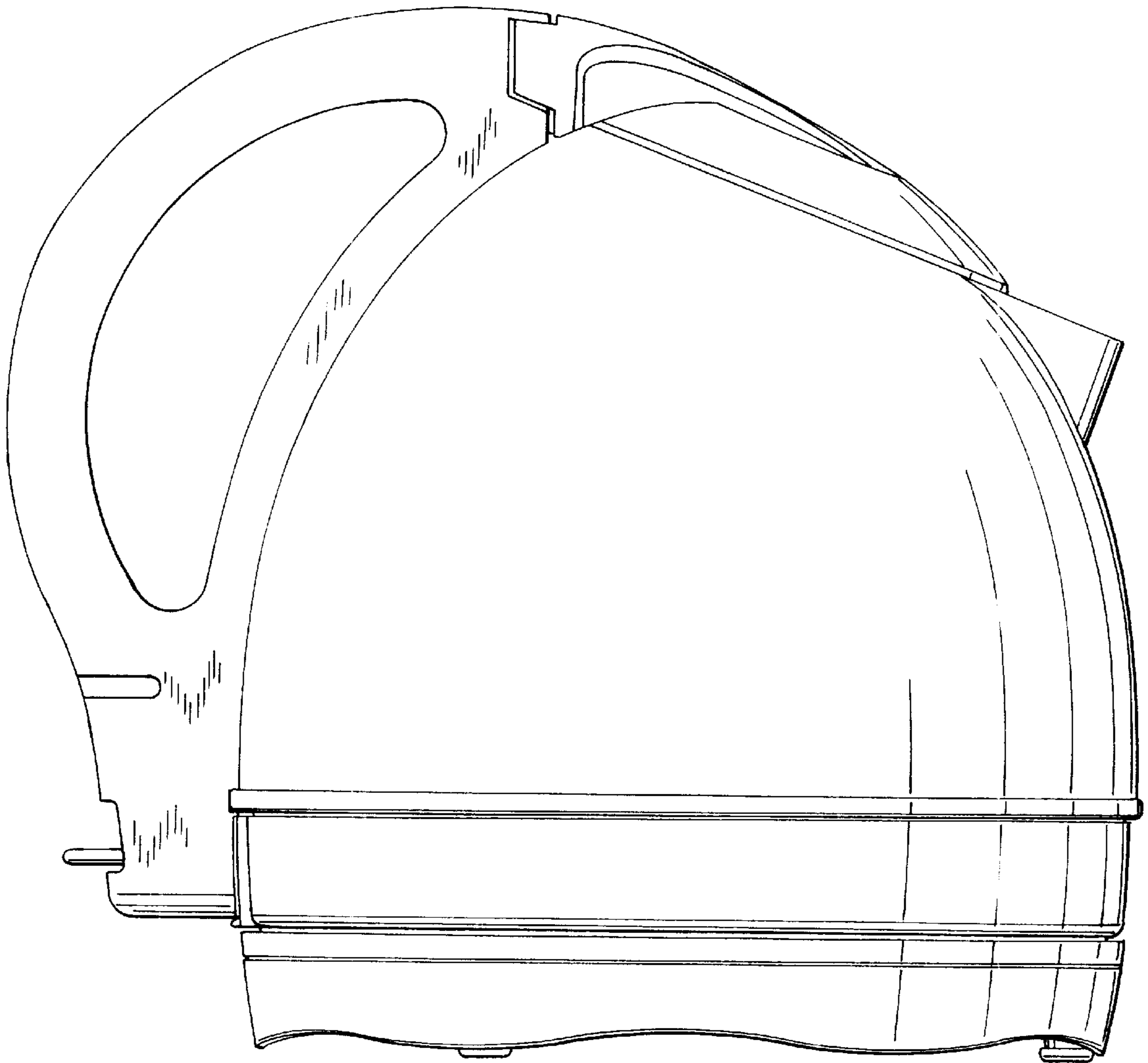


FIG 4

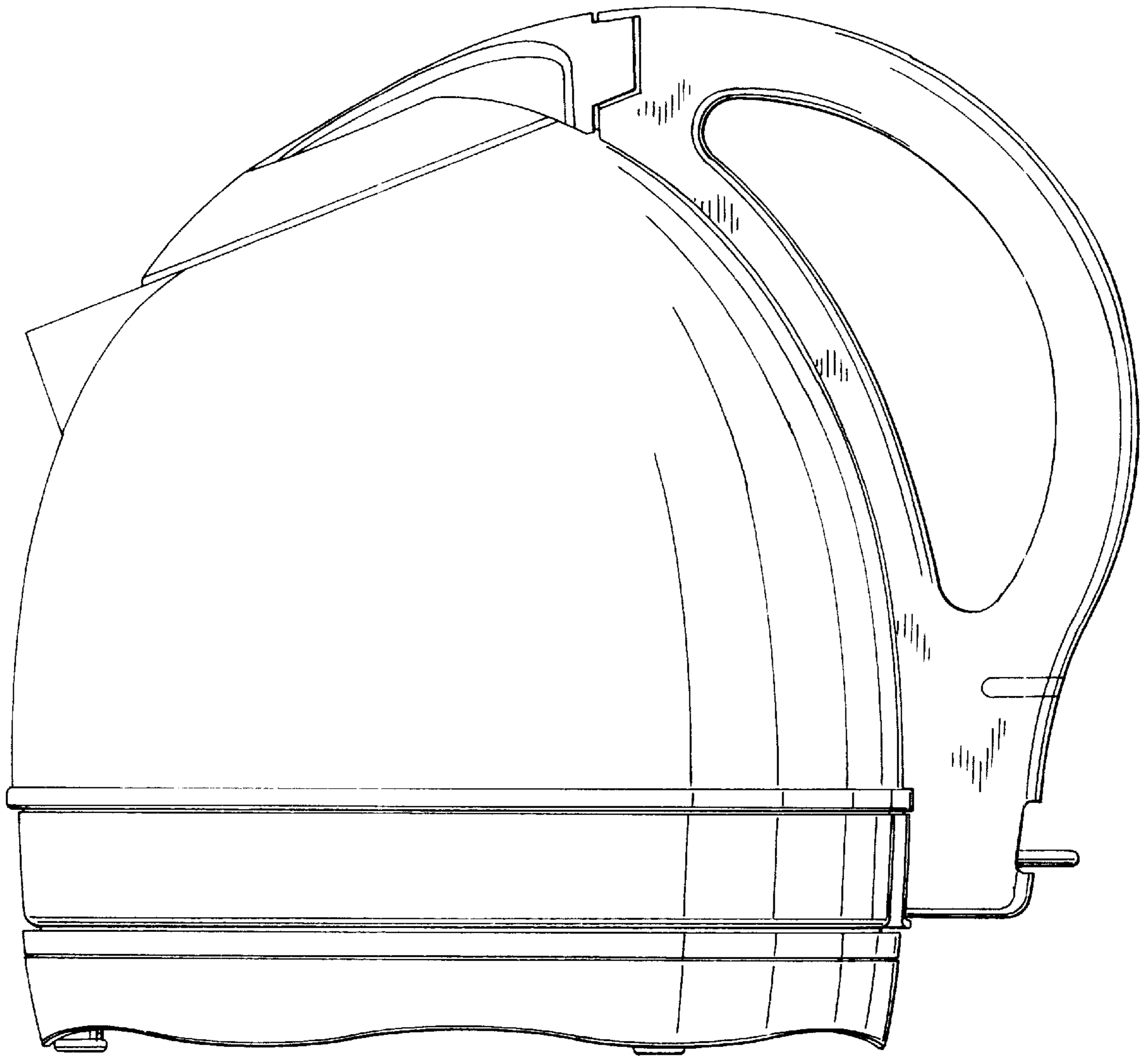


FIG 5

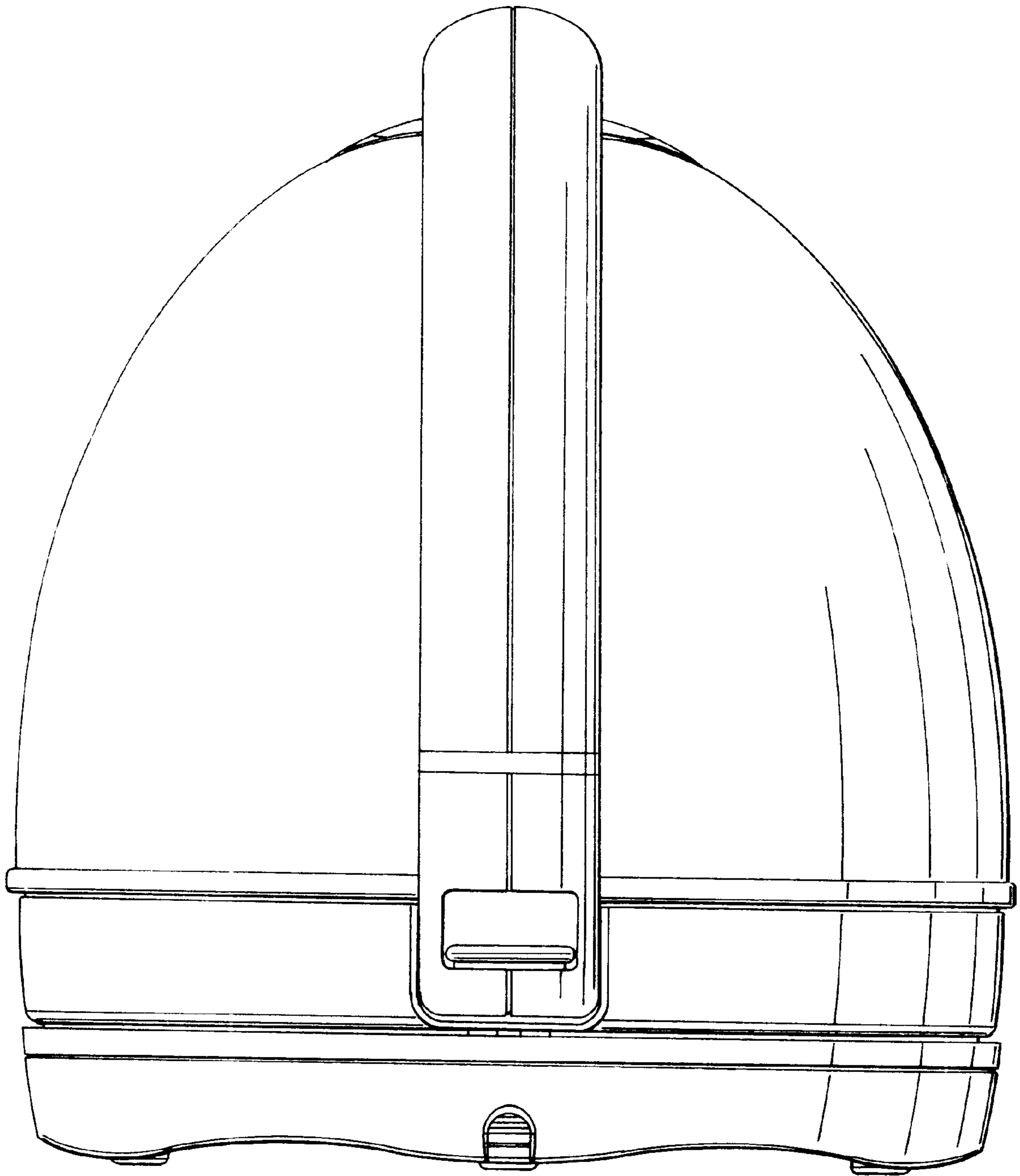


FIG 6

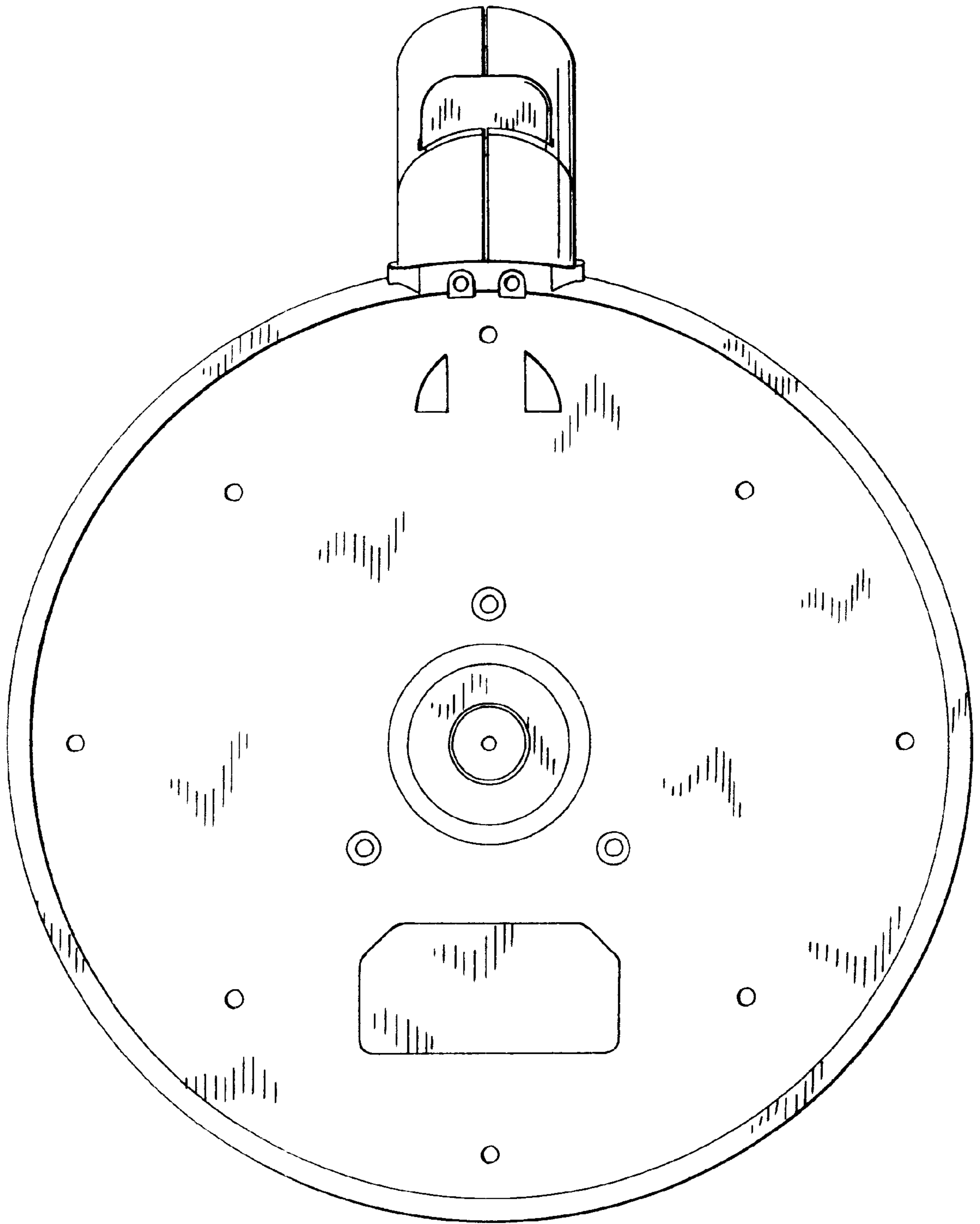


FIG 7

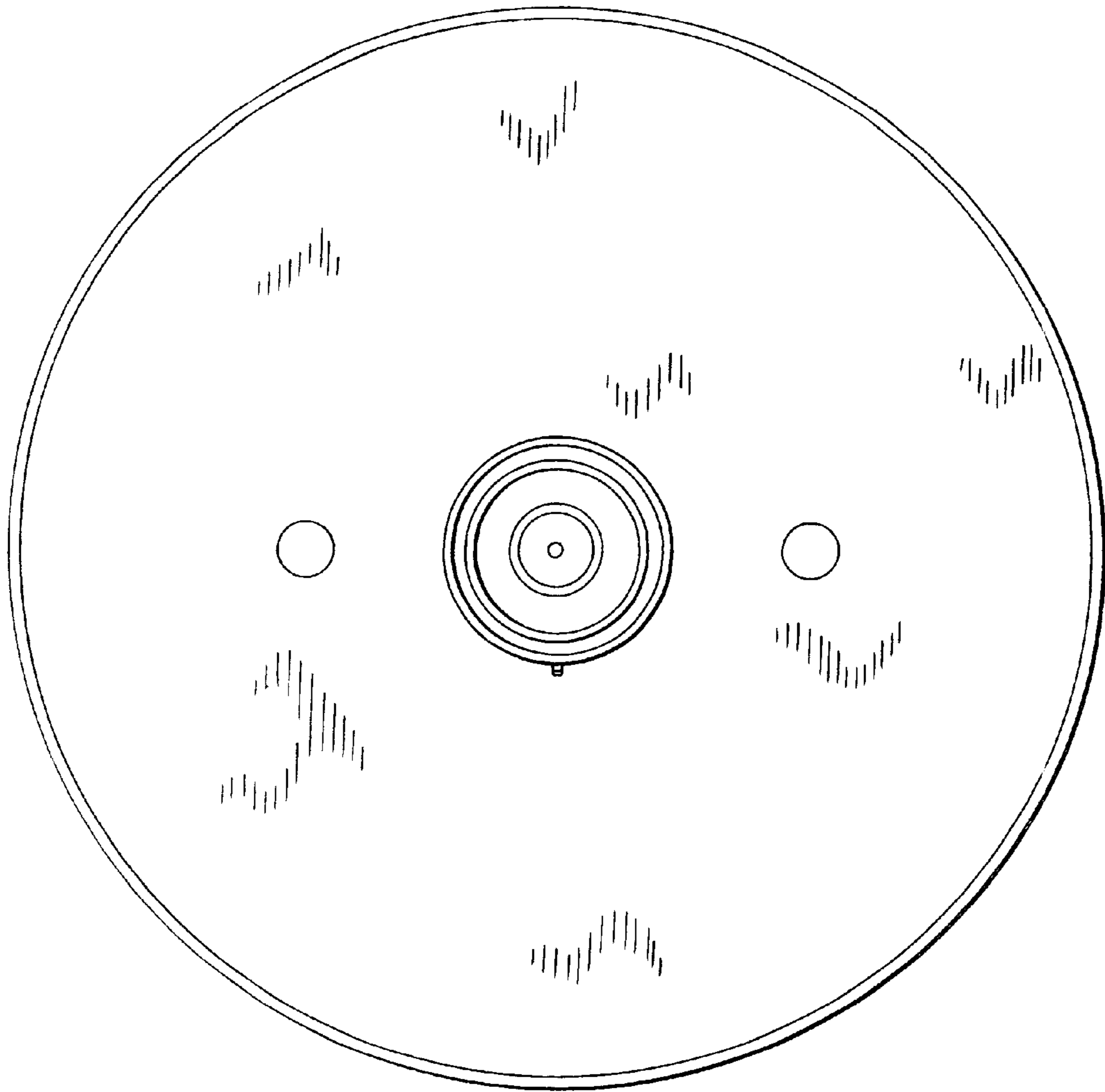


FIG 8

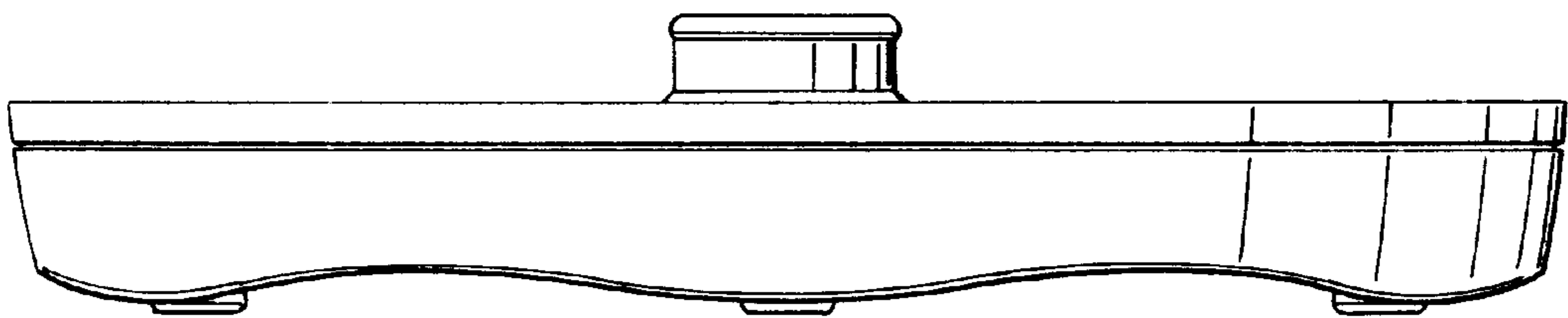


FIG 9

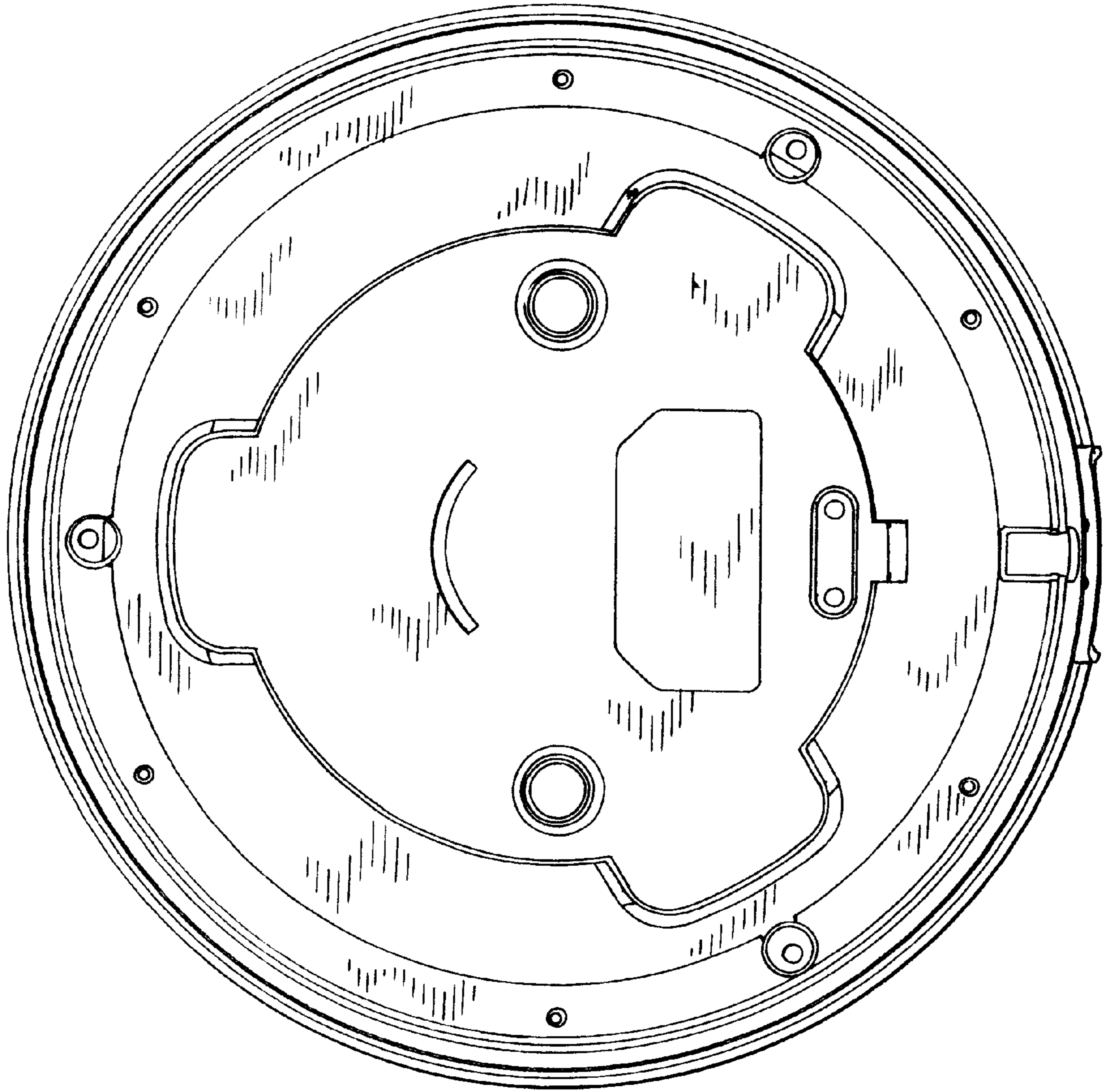


FIG 10

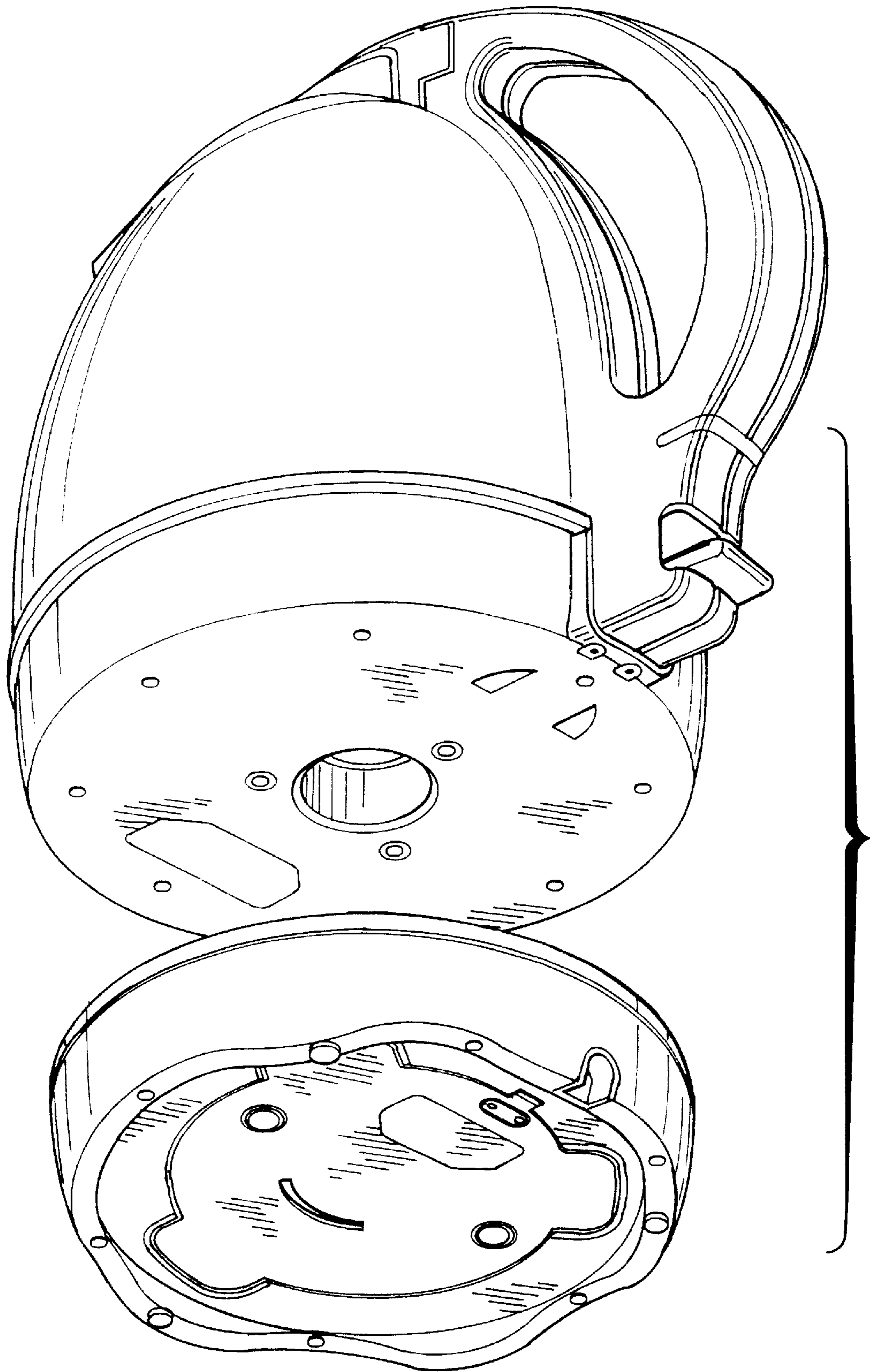


FIG 11