



US00D455312S

(12) **United States Design Patent**
Myszka et al.

(10) **Patent No.:** **US D455,312 S**

(45) **Date of Patent:** **** Apr. 9, 2002**

(54) **MEDIA STORAGE CONTAINER**

(75) Inventors: **Kevin E. Myszka, Kent; James M. Byrne, Massillon, both of OH (US)**

(73) Assignee: **Nexpak Corporation, North Canton, OH (US)**

(**) Term: **14 Years**

(21) Appl. No.: **29/145,439**

(22) Filed: **Jul. 23, 2001**

(51) **LOC (7) Cl.** **06-04**

(52) **U.S. Cl.** **D6/629; D6/407; D6/632**

(58) **Field of Search** **D3/201, 218; D6/407, D6/626-635; D19/26, 27, 32; 206/307.1, 308.1, 308.2, 308.3, 309, 311, 312, 387.11, 387.13, 387.15; 369/37, 75.2, 291; 379/355**

(56) **References Cited**

U.S. PATENT DOCUMENTS

D226,146 S	*	1/1973	Price	
D271,726 S	*	12/1983	Drake	D6/631
4,432,827 A	*	2/1984	Graetz et al.	156/245
D280,951 S	*	10/1985	Holland	D6/631
D281,056 S	*	10/1985	Tour	D9/337
4,635,797 A	*	1/1987	Bankier	
4,641,750 A	*	2/1987	Johnson et al.	
4,771,886 A	*	9/1988	Johnson	
D324,337 S	*	3/1992	Brady	D9/425
5,145,068 A	*	9/1992	Schmitz et al.	206/472
D378,333 S	*	3/1997	Anderson	D6/632

D385,145 S	*	10/1997	VerWeyst et al.	D6/632
5,769,217 A	*	6/1998	Derraugh et al.	206/308.1
5,944,181 A	*	8/1999	Lau	206/308.1
6,000,543 A	*	12/1999	Joyce	206/387.13
D423,273 S	*	4/2000	Sankey et al.	D6/632
D431,955 S	*	10/2000	Peterson et al.	D6/632
D433,266 S	*	11/2000	Peterson et al.	D6/634
6,237,763 B1	*	5/2001	Lau	206/308.1
D445,626 S	*	7/2001	Myszka et al.	D6/629

OTHER PUBLICATIONS

20010021167 Patent Application Publication Sep. 13, 2001; Kutaragi.*

* cited by examiner

Primary Examiner—Celia Murphy

(74) *Attorney, Agent, or Firm*—Sand & Sebolt

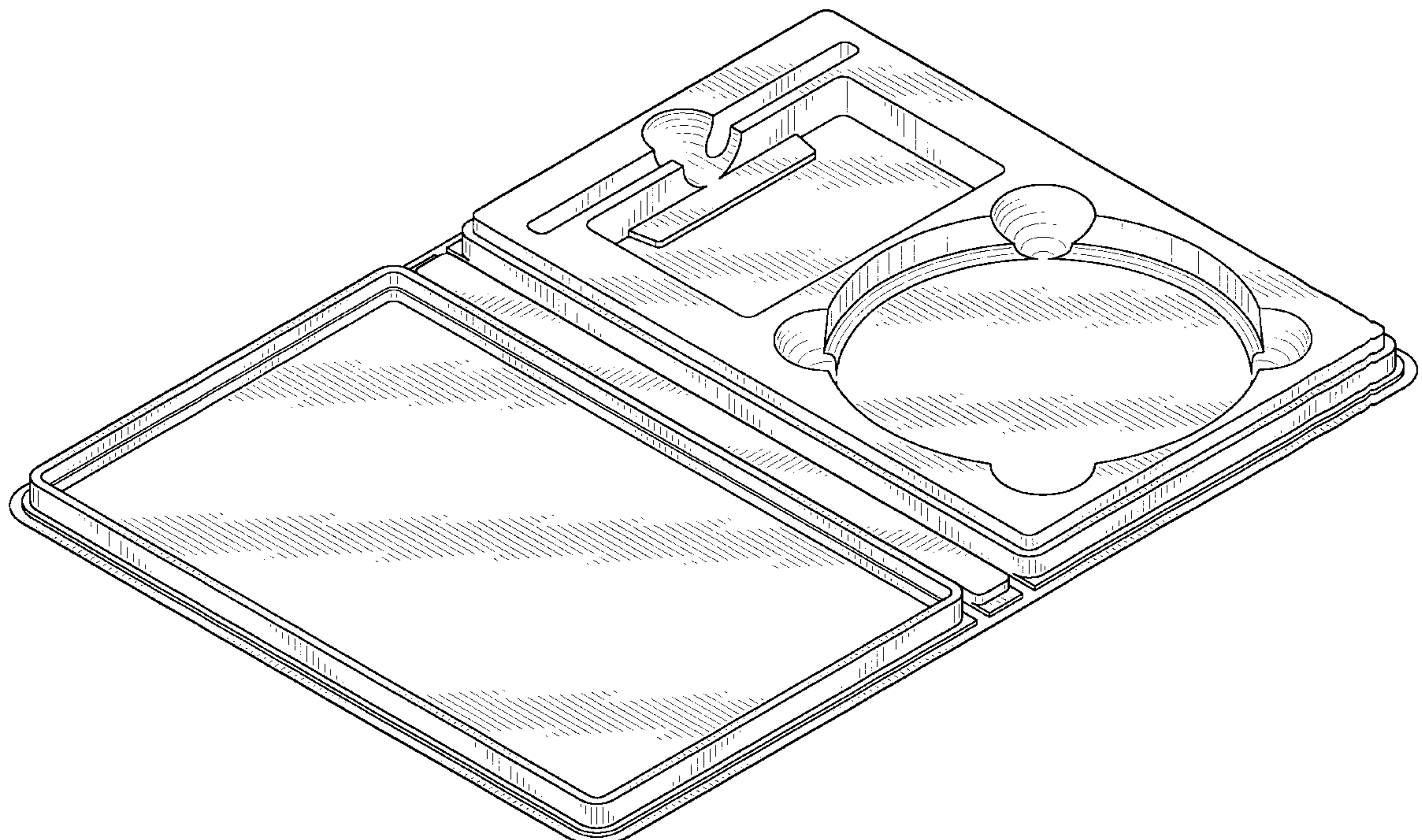
(57) **CLAIM**

The ornamental design for media storage container, as shown and described.

DESCRIPTION

FIG. 1 is a perspective view of a media storage container showing our new design; FIG. 2 is a top plan view of FIG. 1; FIG. 3 is a bottom plan view of FIG. 2; FIG. 4 is a front elevation view of FIG. 2; FIG. 5 is a rear elevation view of FIG. 2; FIG. 6 is a right side elevation view of FIG. 2; and, FIG. 7 is a left side elevation view of FIG. 2.

1 Claim, 4 Drawing Sheets



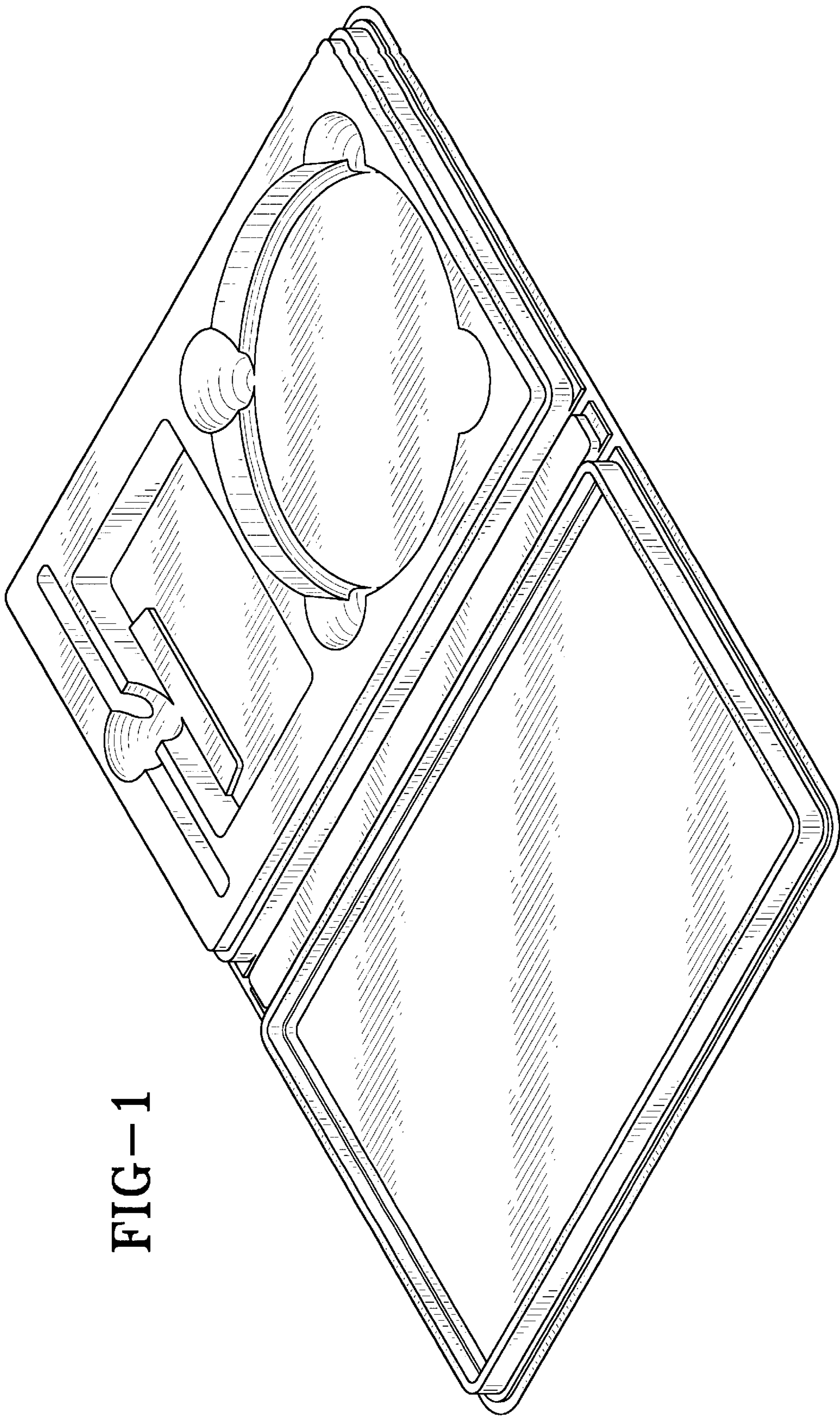


FIG-1

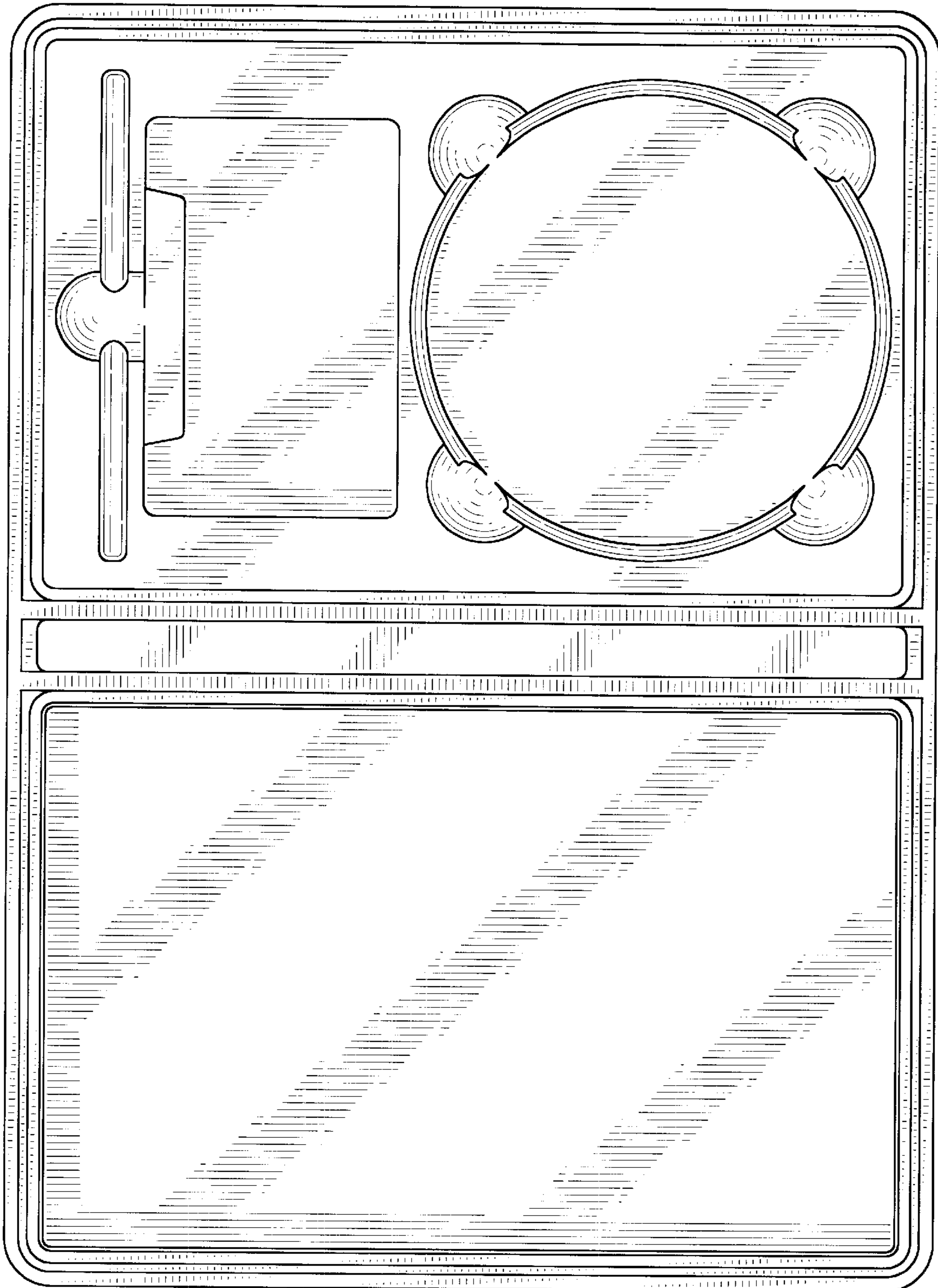


FIG-2

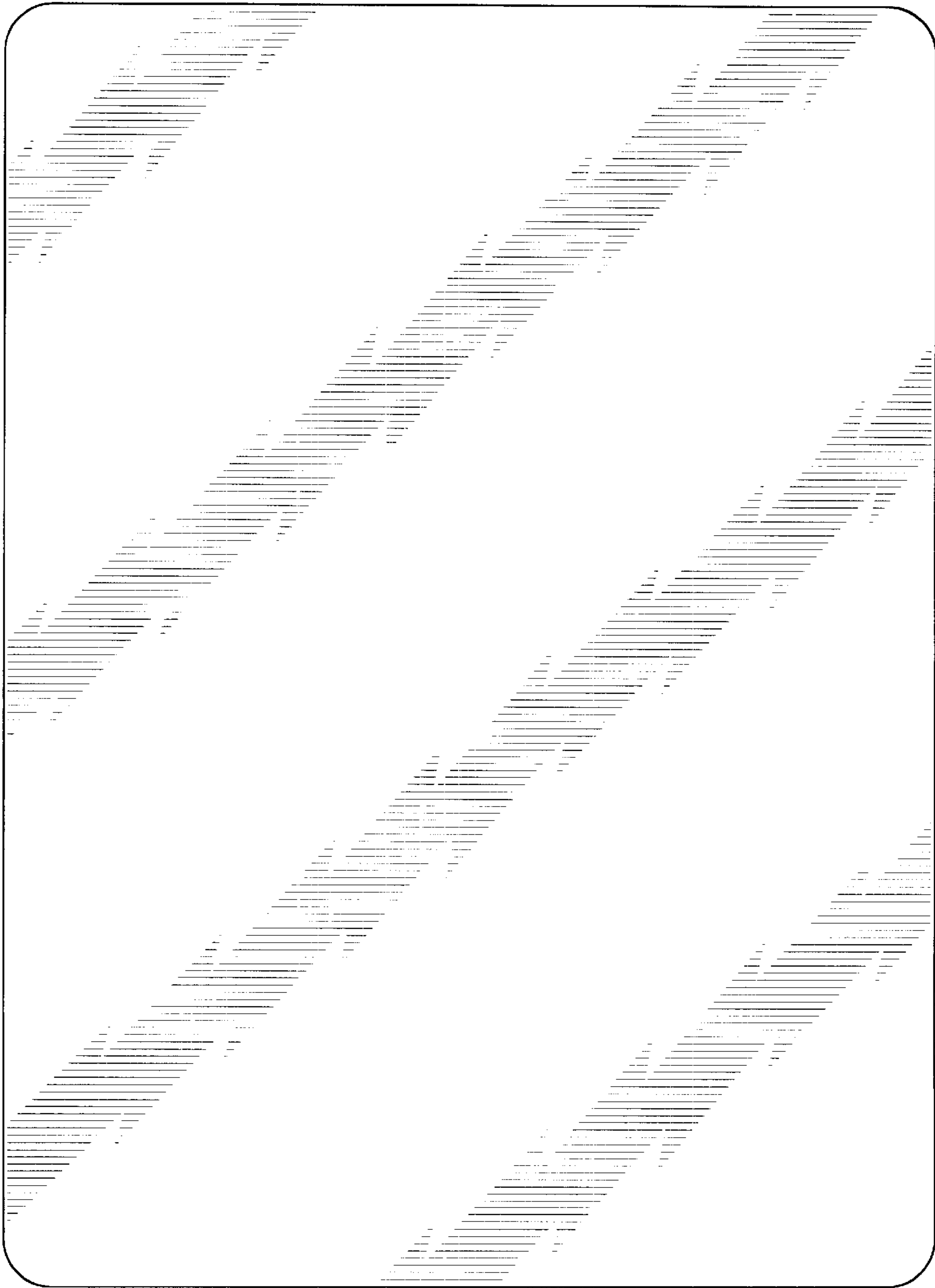


FIG-3

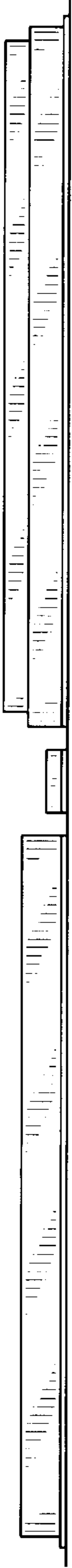


FIG-4

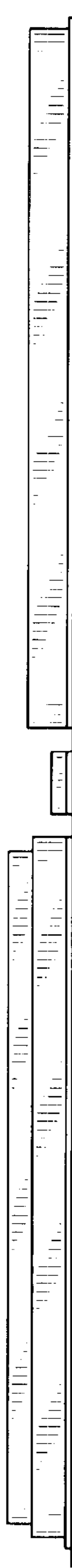


FIG-5

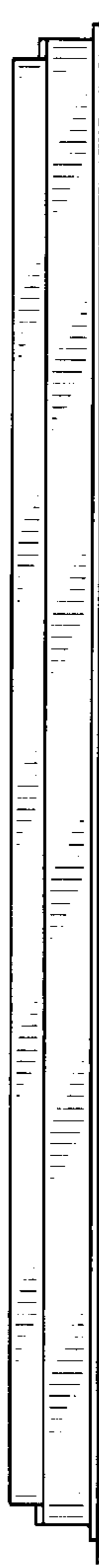


FIG-6

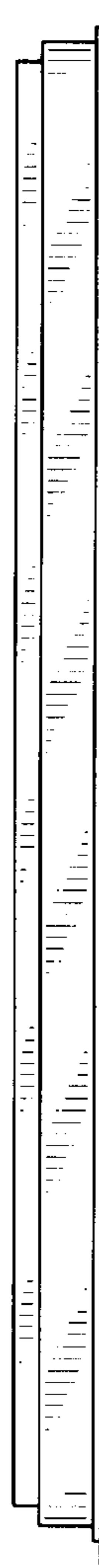


FIG-7