



US00D455308S

(12) **United States Design Patent**
Ou-Young

(10) **Patent No.:** **US D455,308 S**

(45) **Date of Patent:** **** Apr. 9, 2002**

(54) **TOWEL RING**

(75) **Inventor:** **Ming Ou-Young, Tai Chung (TW)**

(73) **Assignee:** **Globe Union America Corporation,**
Bolingbrook, IL (US)

(**) **Term:** **14 Years**

D337,014 S	7/1993	Wang	
D337,230 S	7/1993	Wang	
D348,509 S	7/1994	Bollenbacher	
D362,361 S	9/1995	Lehn et al.	
D374,361 S	10/1996	Lehn et al.	
D390,397 S	2/1998	Chen	
D407,248 S	* 3/1999	Scholpp D6/524
D417,112 S	11/1999	Chen	
D431,742 S	10/2000	Chen	

(21) **Appl. No.:** **29/136,928**

(22) **Filed:** **Feb. 9, 2001**

(51) **LOC (7) Cl.** **06-04**

(52) **U.S. Cl.** **D6/546**

(58) **Field of Search** D6/546-50, 518,
D6/522-24; D8/300, 315-21, 354, 363,
373, 380; 108/28-29; 211/13.1, 16, 60.1,
86.01, 87.01, 88.04, 100, 105.1-105.2,
123, 181.1, 182; 248/175, 176.1, 251, 302;
16/110.1, 412, 415; 242/570, 590, 595-598;
206/389

* cited by examiner

Primary Examiner—Brian N. Vinson

(74) *Attorney, Agent, or Firm*—Brinks Hofer Gilson & Lione

(57) **CLAIM**

The ornamental design for a towel ring, as shown and described.

DESCRIPTION

FIG. 1 is a perspective view showing our new design.

FIG. 2 is a front view thereof.

FIG. 3 is a bottom view thereof.

FIG. 4 is a side view thereof.

FIG. 5 is a side view thereof; and,

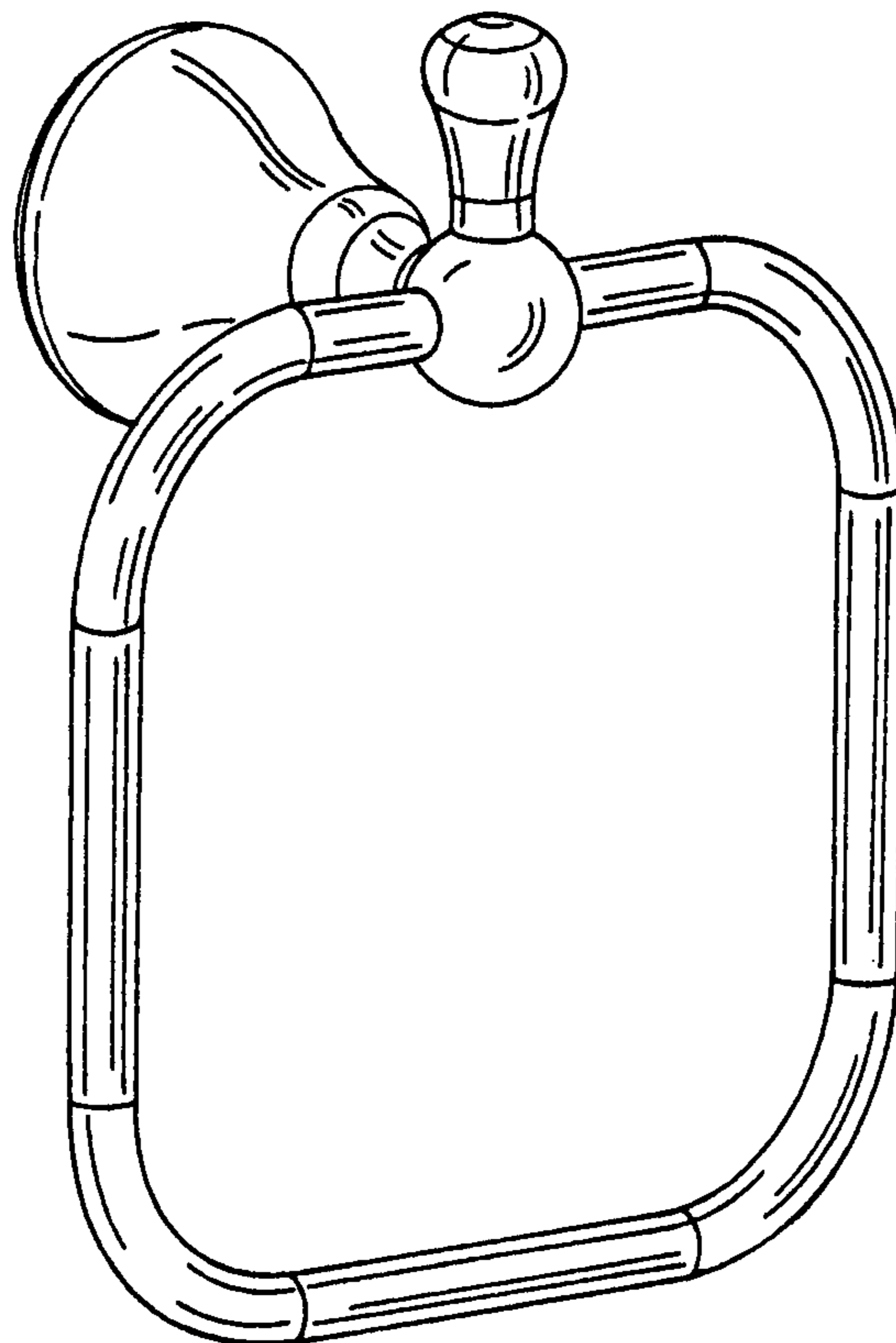
FIG. 6 is a back view thereof.

(56) **References Cited**

U.S. PATENT DOCUMENTS

D234,990 S	*	4/1975	Morgan	D6/546
D238,733 S	*	2/1976	Read	D6/546
D317,386 S	*	6/1991	McKeone	D6/524
D328,849 S	*	8/1992	Cornick et al.	D6/546 X

1 Claim, 1 Drawing Sheet



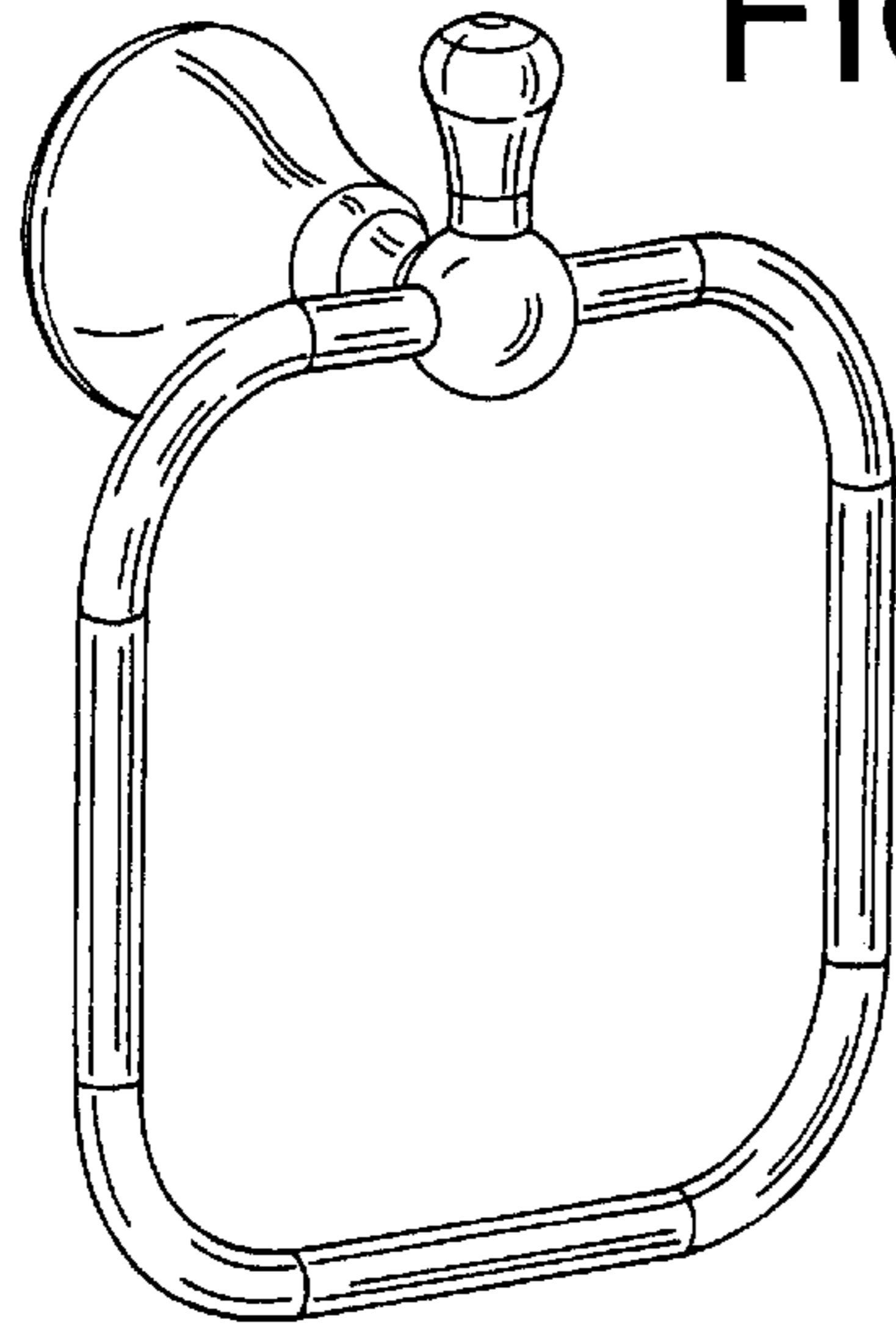


FIG. 1

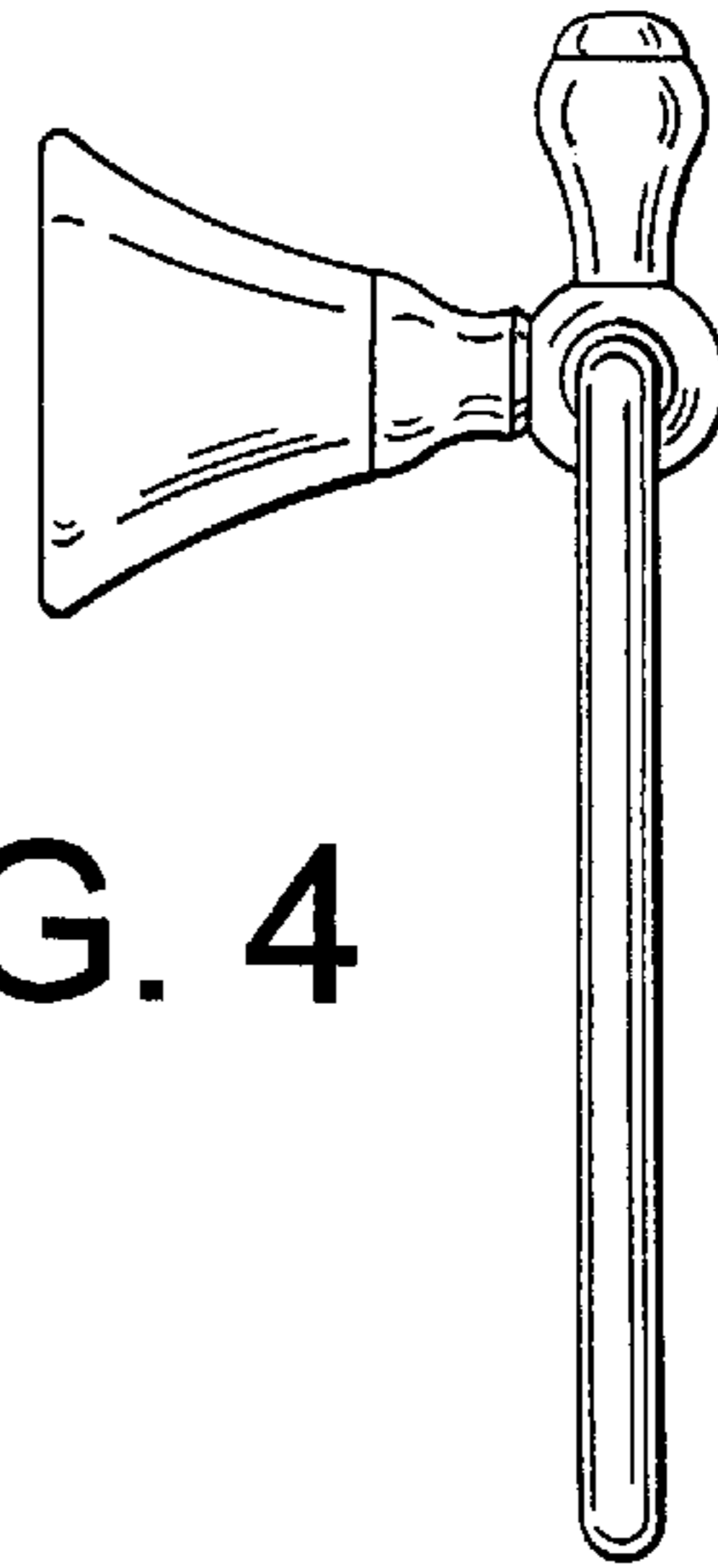


FIG. 4

FIG. 2

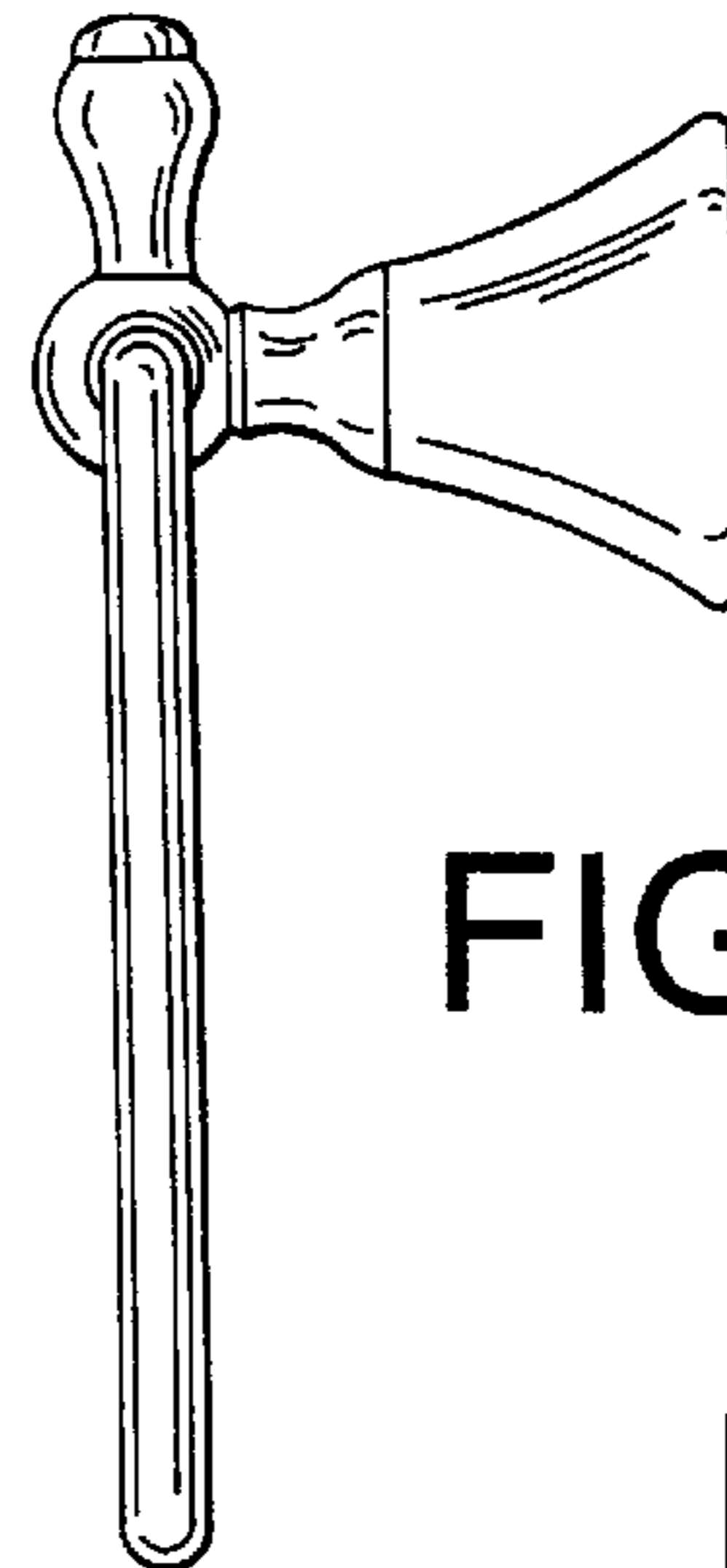
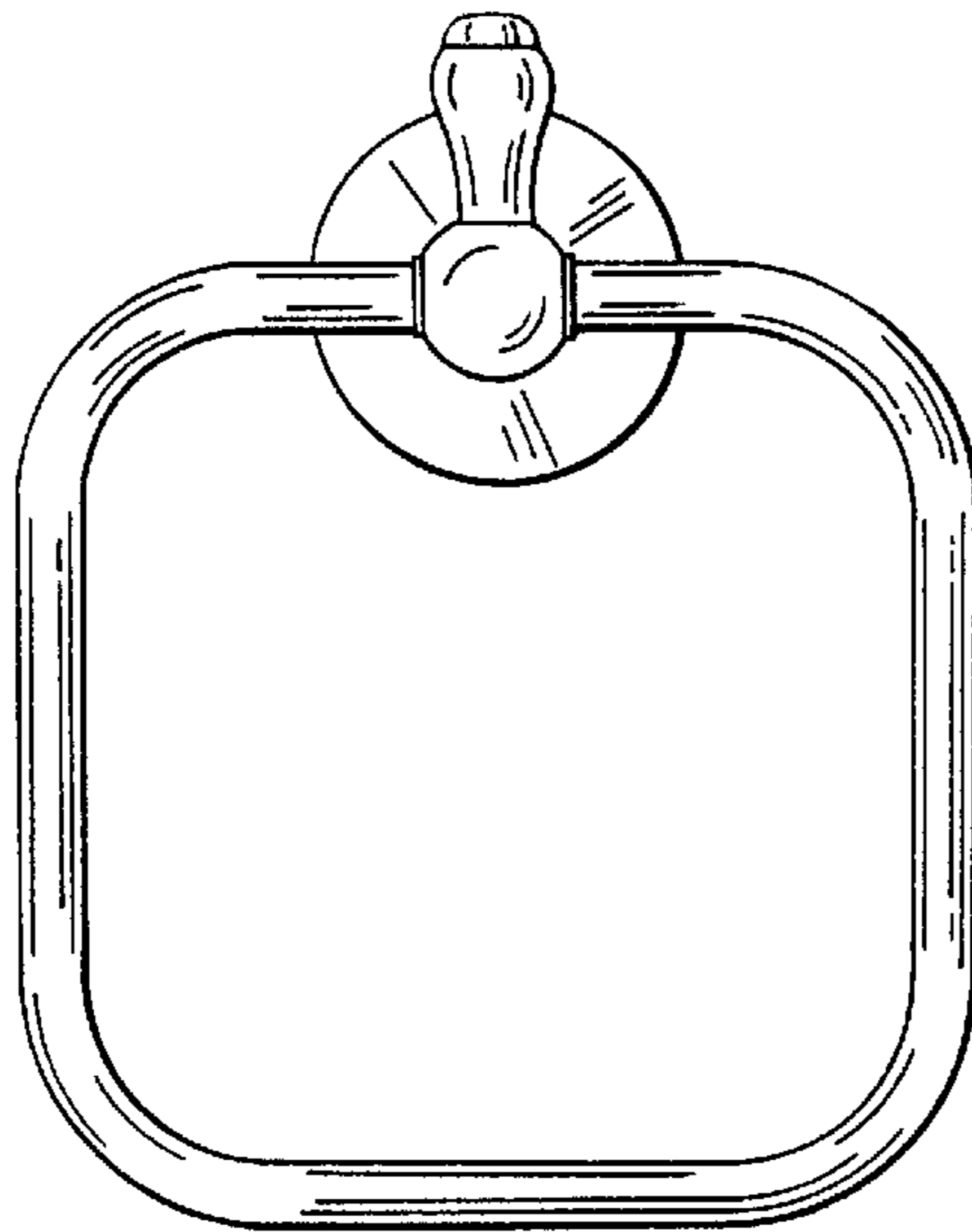


FIG. 5

FIG. 6

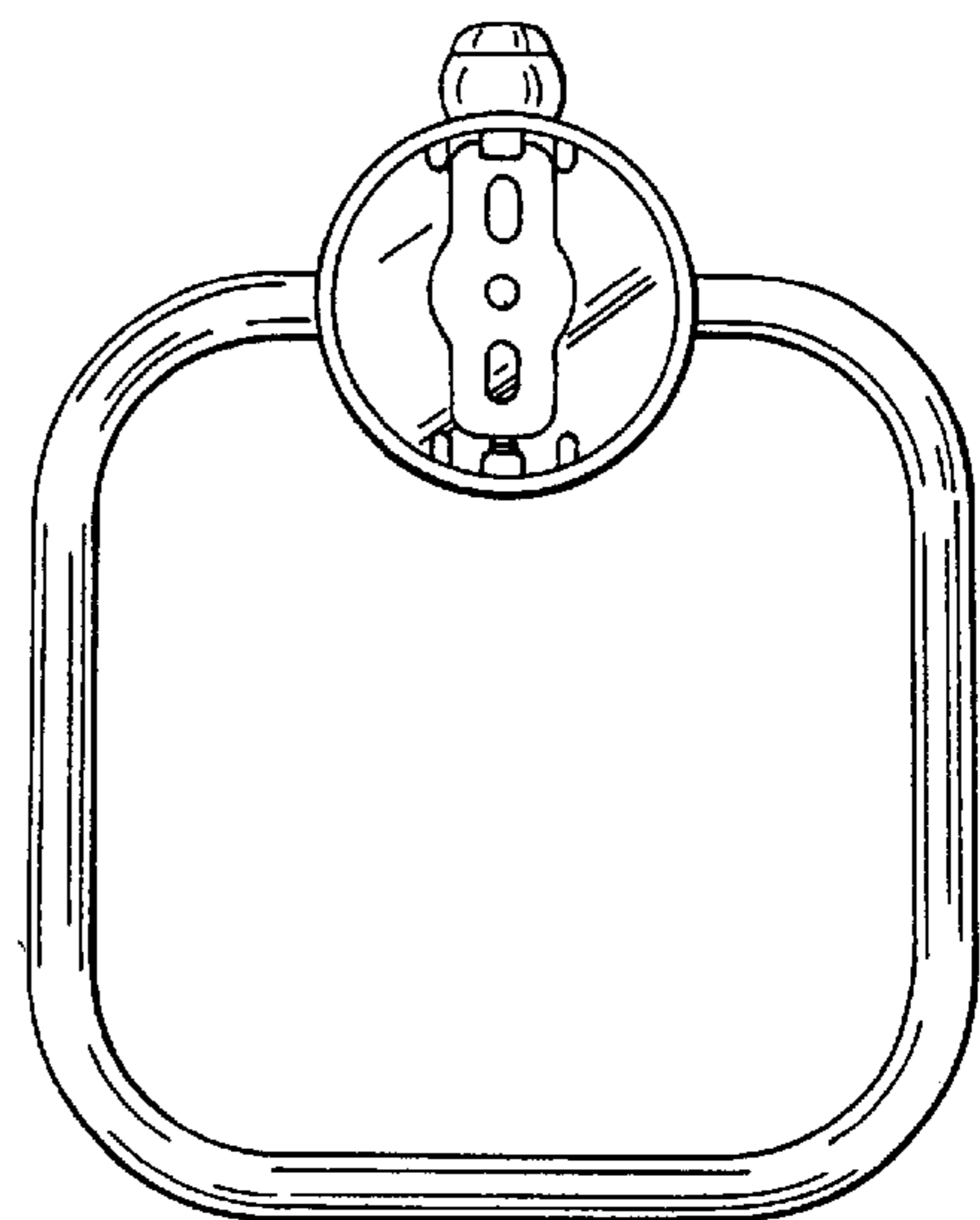
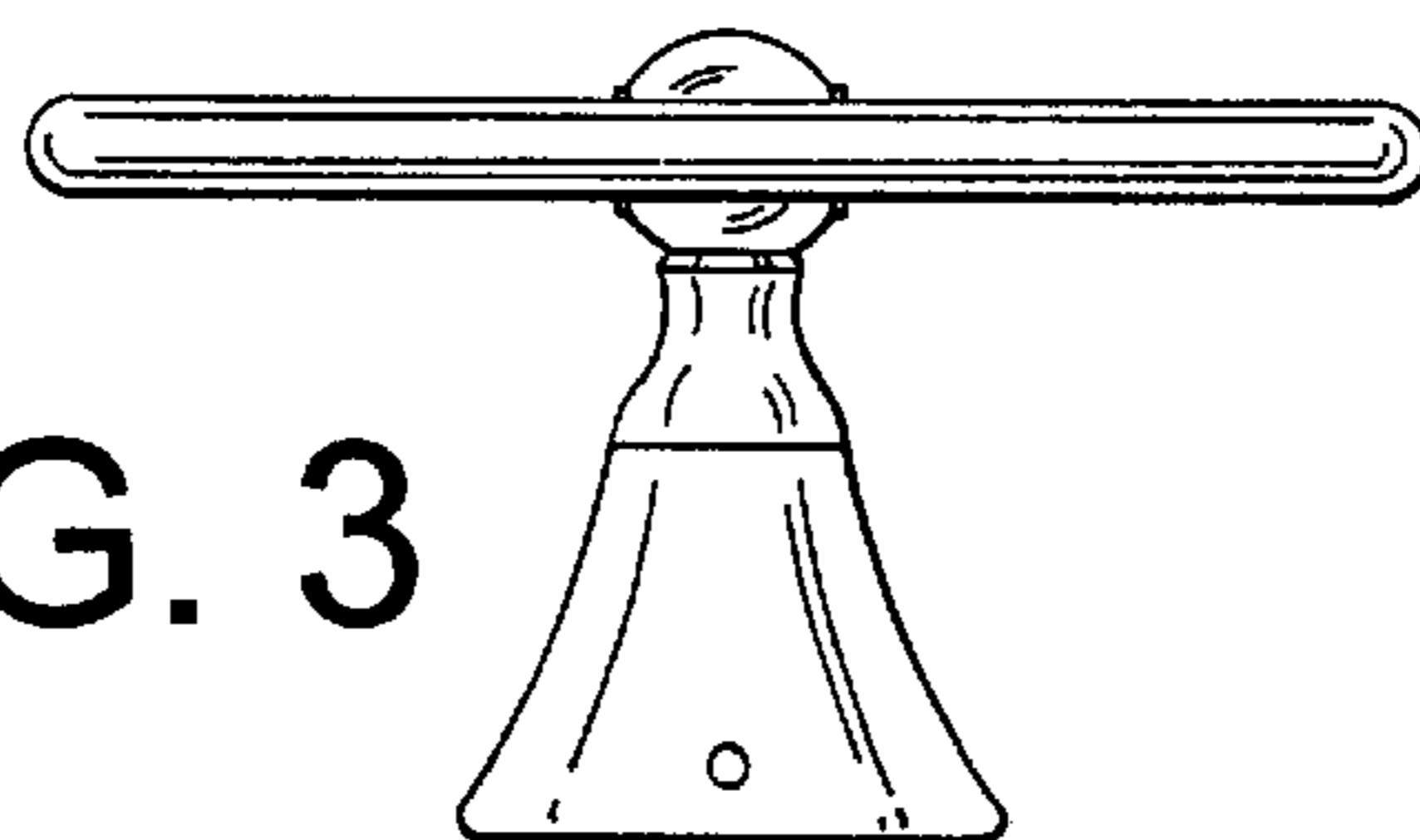


FIG. 3



UNITED STATES PATENT AND TRADEMARK OFFICE
CERTIFICATE OF CORRECTION

PATENT NO. : Des. 455,308 S
DATED : April 9, 2002
INVENTOR(S) : Horng-Yih Chou

Page 1 of 1

It is certified that error appears in the above-identified patent and that said Letters Patent is hereby corrected as shown below:

Title page.

Item [12], delete “**Ou-Young**” and substitute -- **Chou** -- in its place.

Item [75], Inventors, delete “**Ming Ou-Young**” and substitute
-- **Horng-Yih Chou**, -- in its place.

Signed and Sealed this

Tenth Day of August, 2004

A handwritten signature in black ink on a dotted background. The signature reads "Jon W. Dudas" in a cursive style.

JON W. DUDAS

Acting Director of the United States Patent and Trademark Office