



US00D455307S

(12) **United States Design Patent**  
**Hoernig**

(10) **Patent No.:** **US D455,307 S**

(45) **Date of Patent:** **\*\* Apr. 9, 2002**

(54) **SOAP DISH WITH TUMBLER HOLDER**

D67,170 S \* 4/1925 Titchener ..... D6/532  
D69,281 S \* 1/1926 Nelson ..... D6/532

(75) Inventor: **Victor Hoernig**, Lowell, IN (US)

\* cited by examiner

(73) Assignee: **GUSA, Inc.**, Fort Mill, SC (US)

*Primary Examiner*—Brian N. Vinson

(\*\*) Term: **14 Years**

(74) *Attorney, Agent, or Firm*—Edgar A. Zarins; Lloyd D. Doigan

(21) Appl. No.: **29/142,628**

(57) **CLAIM**

(22) Filed: **May 30, 2001**

The ornamental design for a soap dish with tumbler holder, as shown and described.

(51) **LOC (7) Cl.** ..... **23-02**

**DESCRIPTION**

(52) **U.S. Cl.** ..... **D6/532**

(58) **Field of Search** ..... D6/524, 527, 532,  
D6/535, 536, 540; 206/77.1; 211/13.1, 86.01,  
87.01, 88.01, 88.03, 89.01, 90.01, 71.01,  
74, 126.1, 134; 248/309.1, 311.2, 314

FIG. 1 is a perspective view of a soap dish with tumbler holder showing my new design;

FIG. 2 is a front elevational view thereof;

FIG. 3 is a right side view thereof;

FIG. 4 is a left side view thereof;

FIG. 5 is a top plan view thereof;

FIG. 6 is a bottom plan view thereof; and,

FIG. 7 is a rear elevational view thereof.

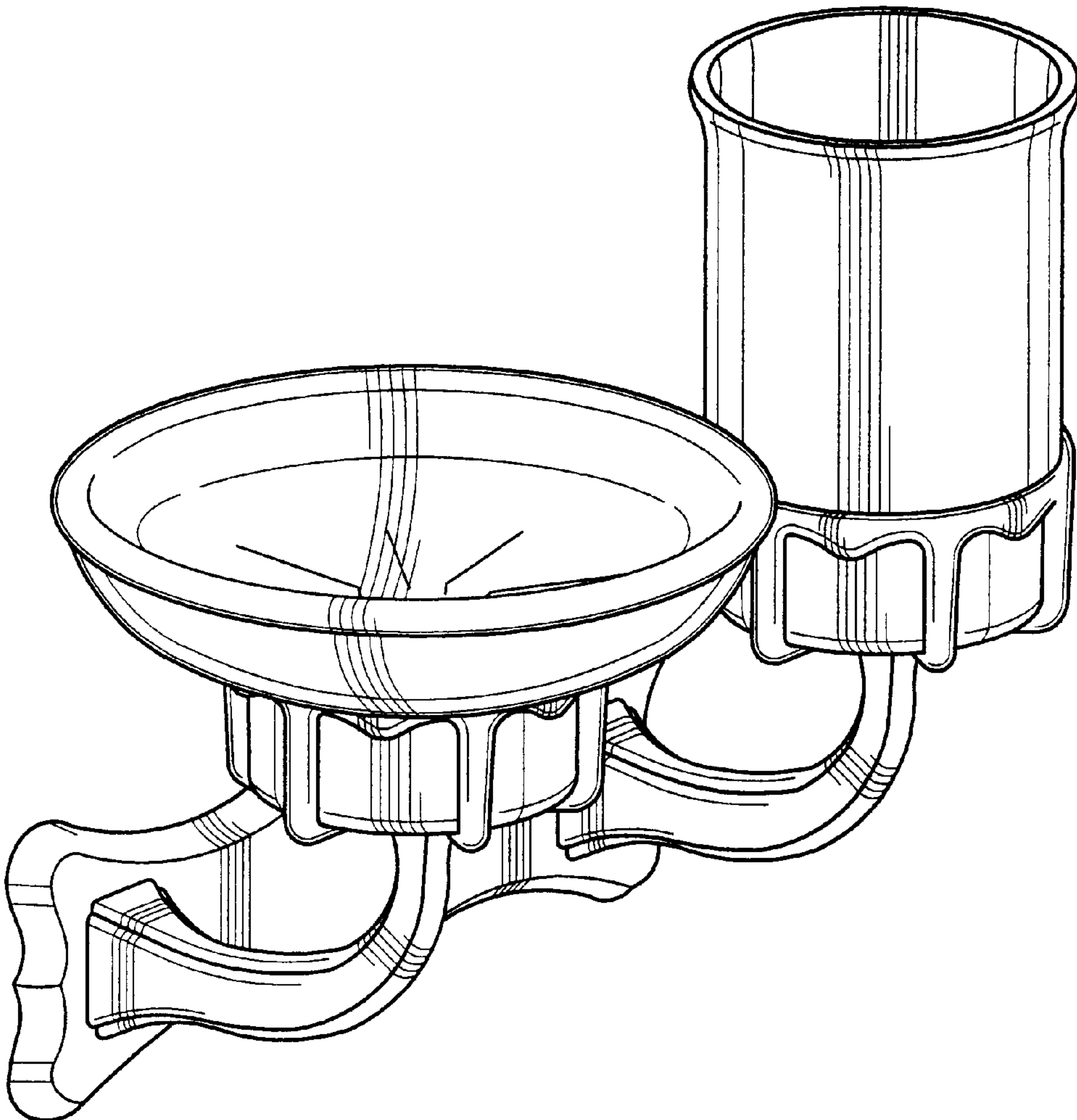
(56) **References Cited**

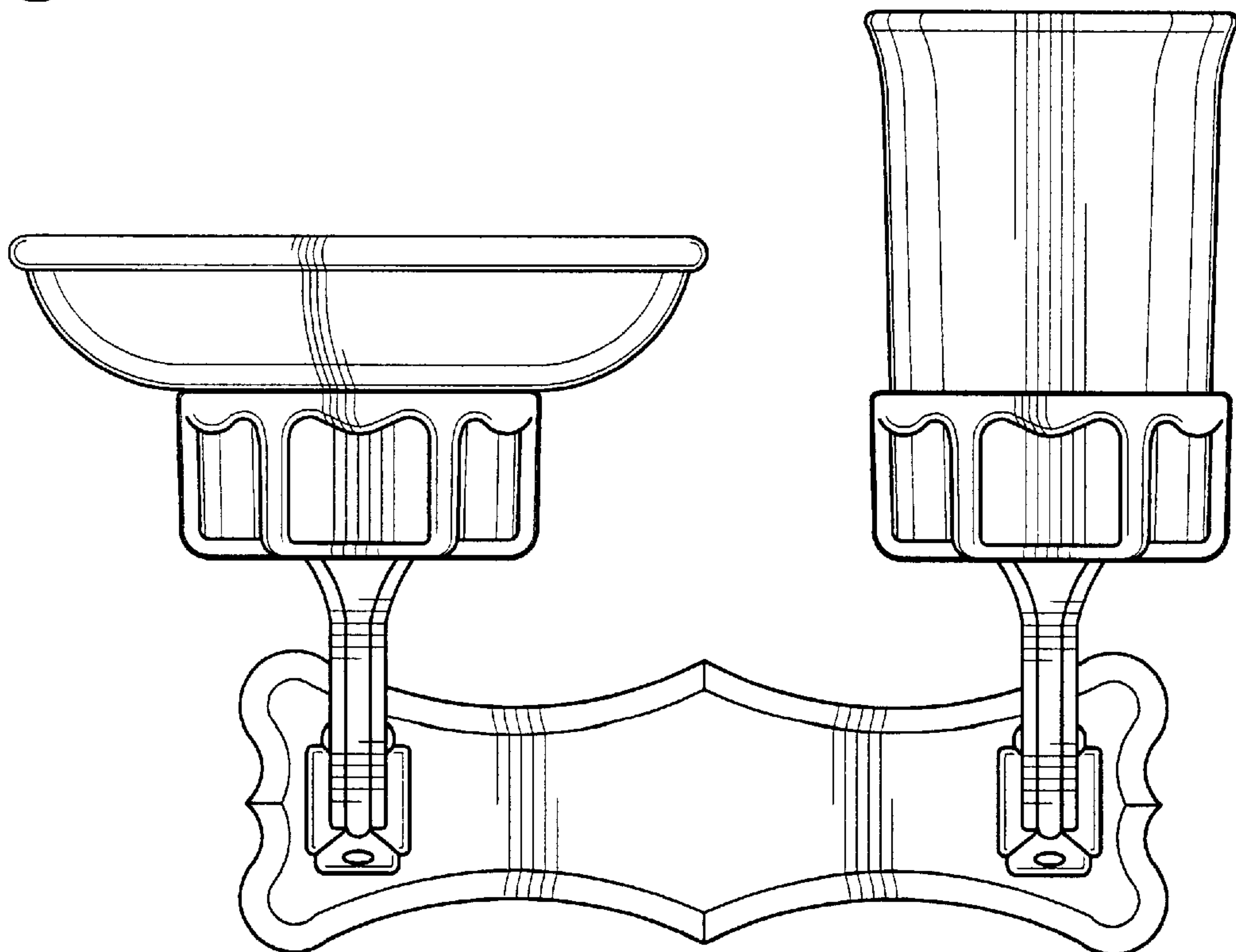
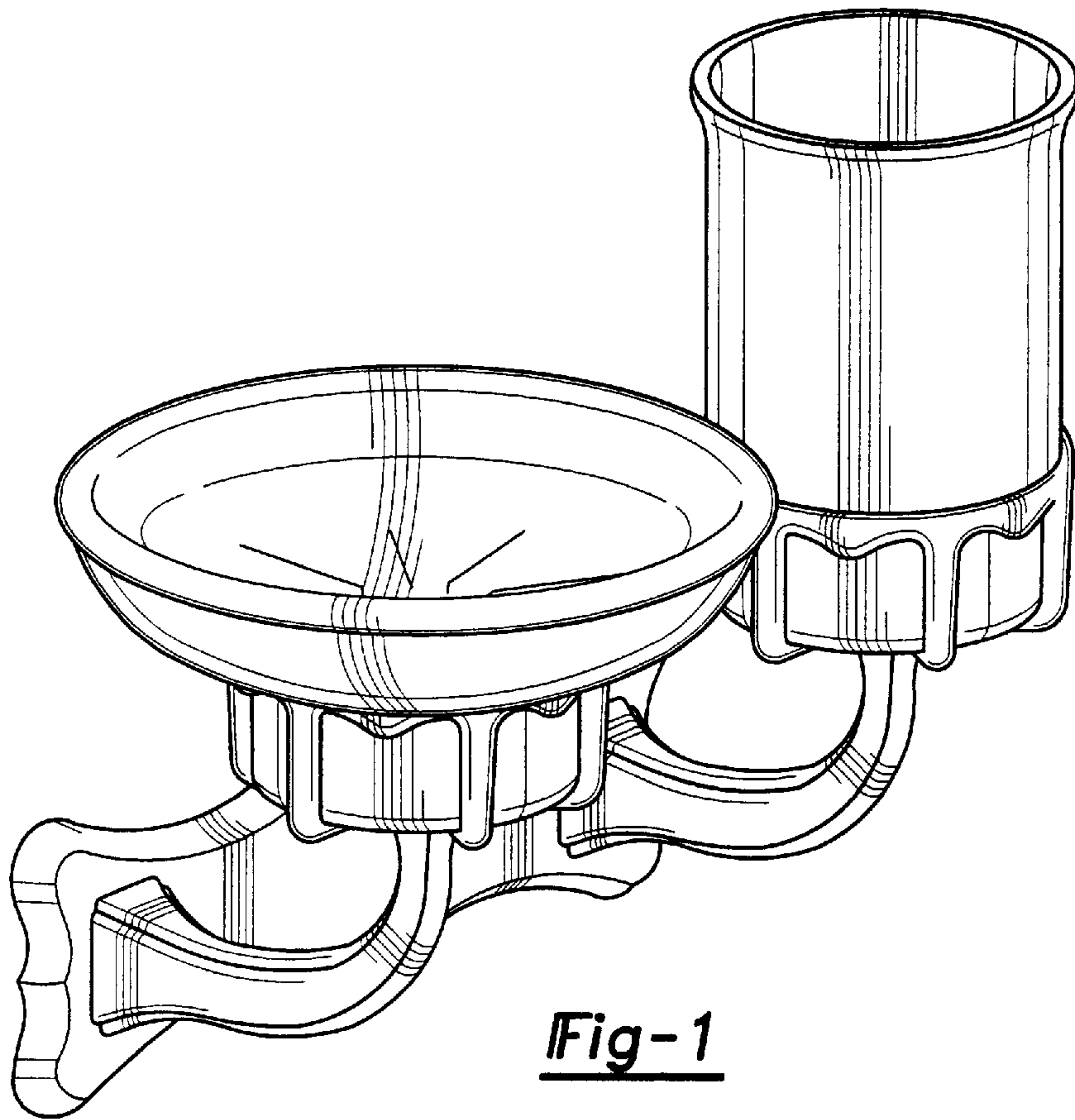
**U.S. PATENT DOCUMENTS**

D26,928 S \* 4/1897 Glock ..... D6/532

D41,340 S \* 5/1911 Nelson ..... D6/532

**1 Claim, 3 Drawing Sheets**





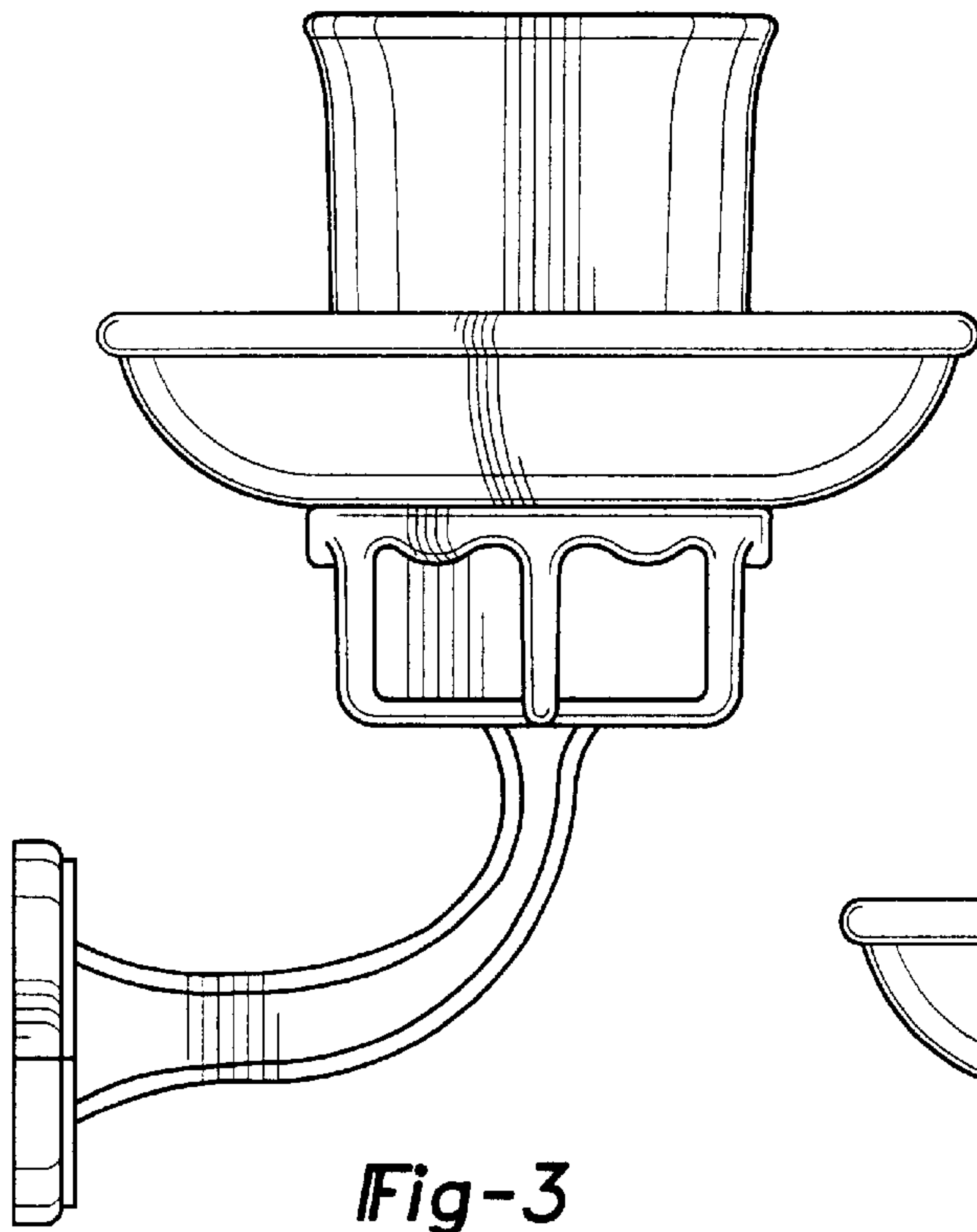


Fig-3

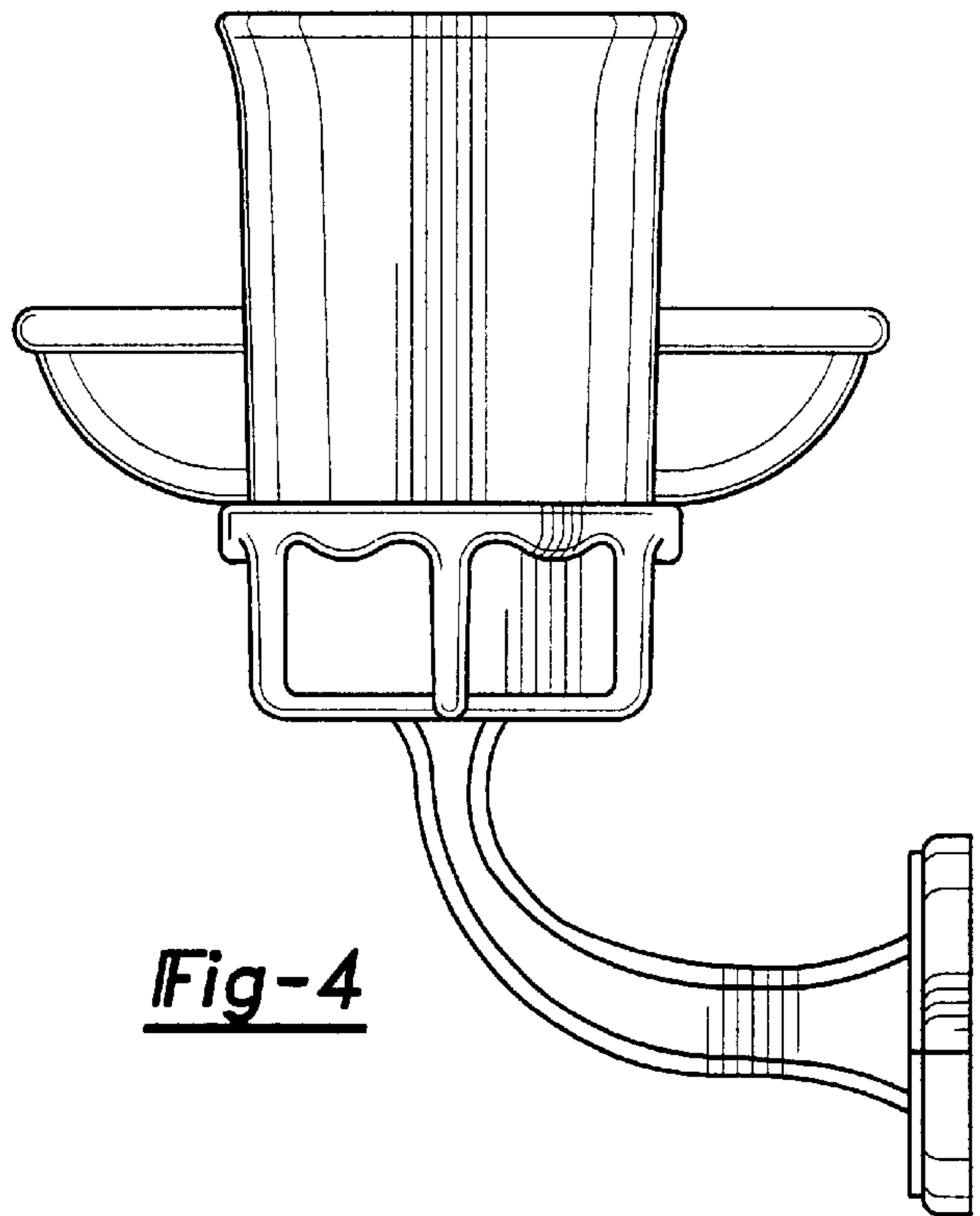


Fig-4

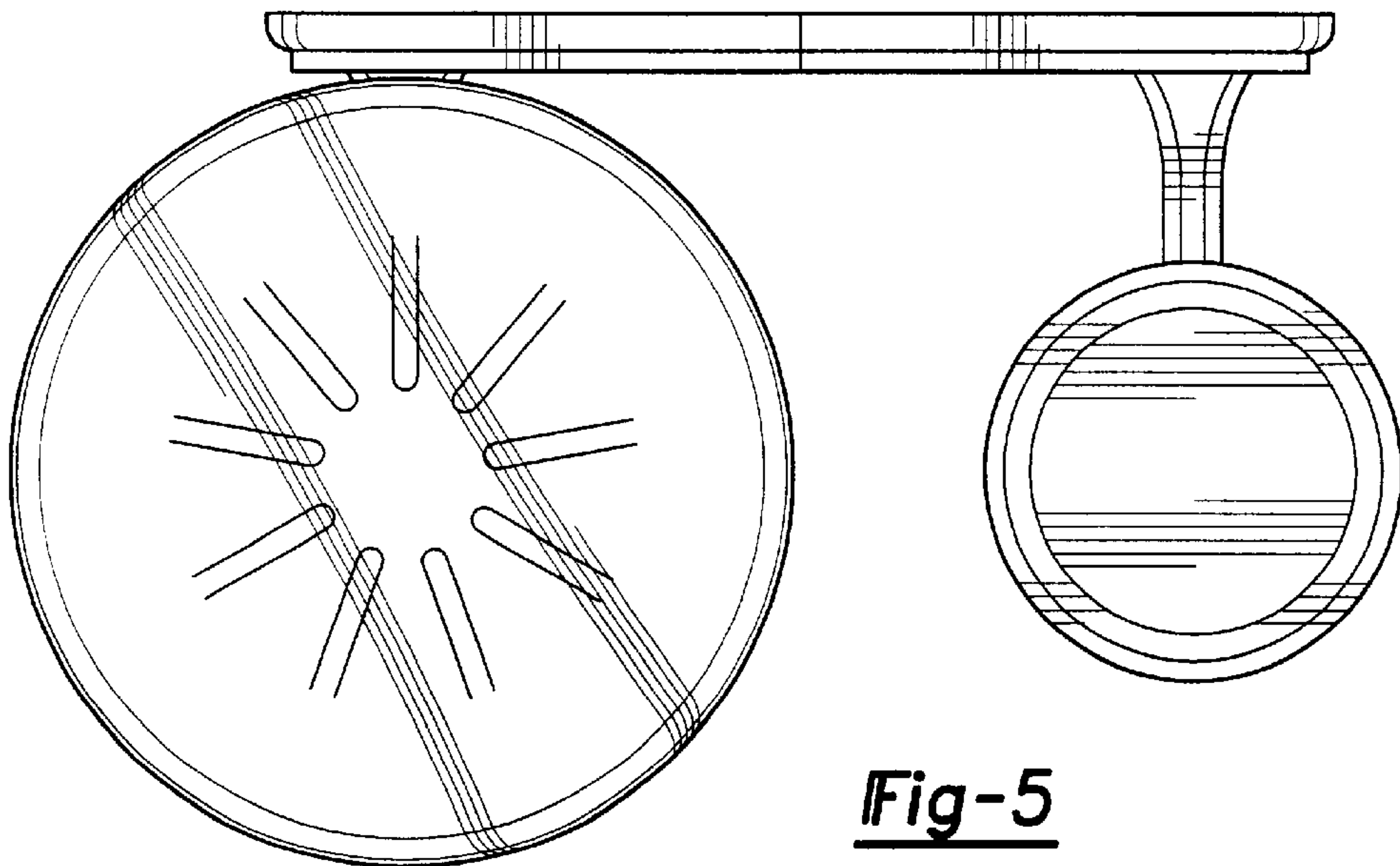


Fig-5



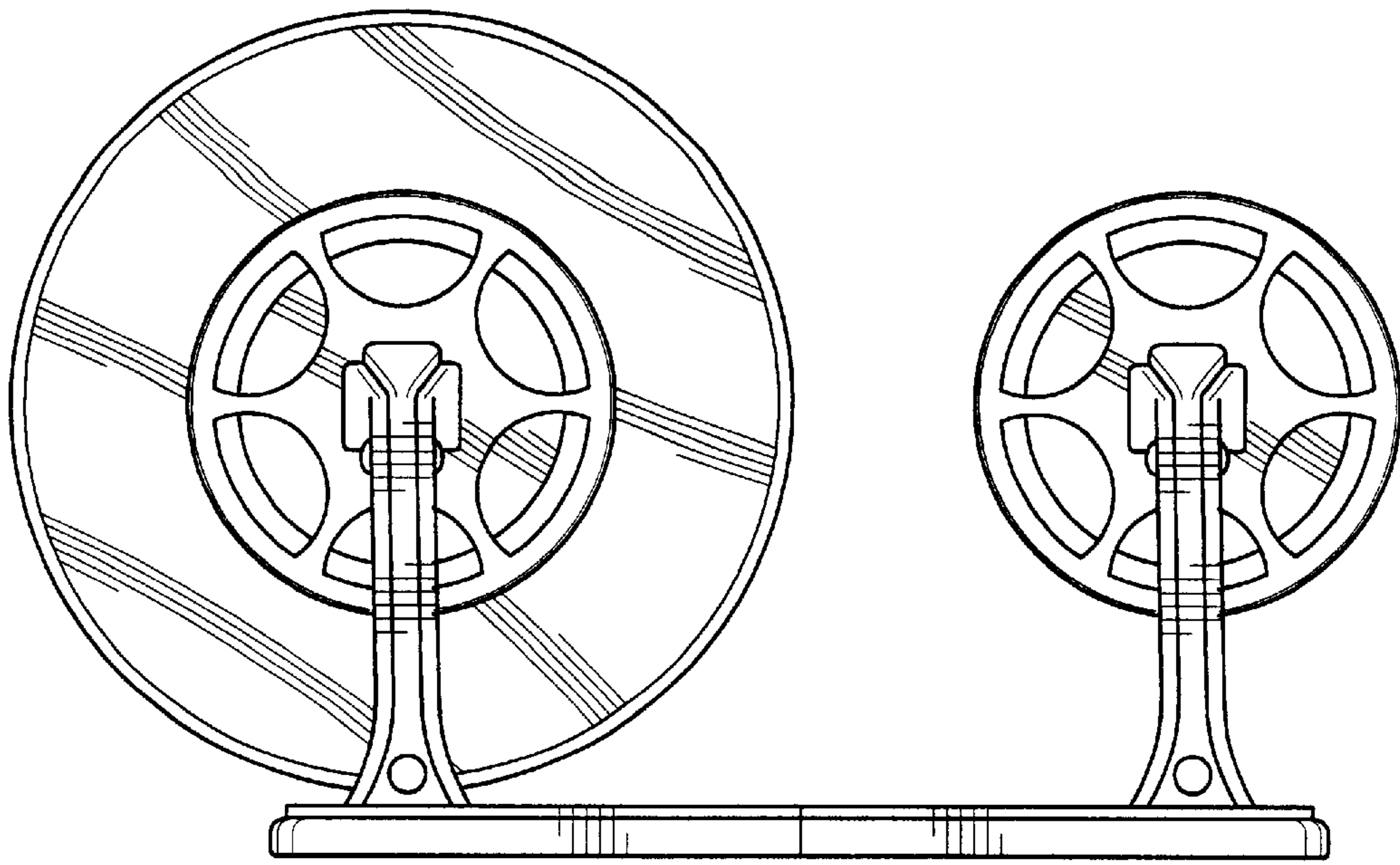


Fig-6

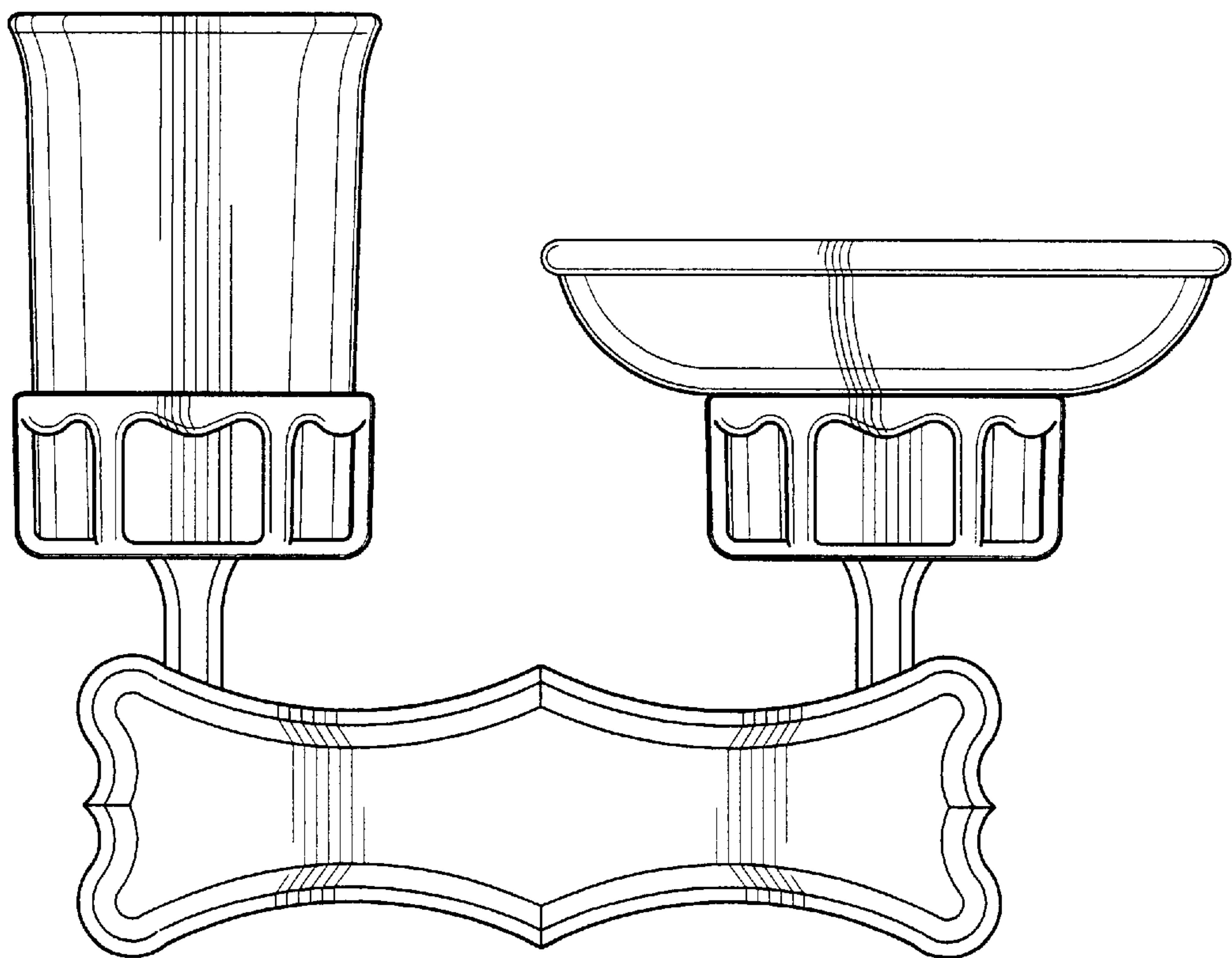


Fig-7