



US00D455306S

(12) **United States Design Patent**
Ong

(10) **Patent No.:** **US D455,306 S**

(45) **Date of Patent:** **** Apr. 9, 2002**

(54) **LARGE WOODEN TISSUE BOX COVER**

(76) Inventor: **Bon S. Ong**, Box 4247, Torrance, CA
(US) 90510

(**) Term: **14 Years**

(21) Appl. No.: **29/140,423**

(22) Filed: **Apr. 19, 2001**

(51) **LOC (7) Cl.** **20-02**

(52) **U.S. Cl.** **D6/518**

(58) **Field of Search** D6/515, 518, 523;
217/5; 312/34.1; 206/233, 812, 824; 221/26,
33, 45, 282, 284; 222/173

(56) **References Cited**

U.S. PATENT DOCUMENTS

2,433,587	A	*	12/1947	Wentowrth	206/494	X
D201,462	S	*	6/1965	Klein	D6/518	
D205,629	S	*	8/1966	Hartley	D6/518	
D205,721	S	*	9/1966	O'Neil	D6/518	
D334,498	S	*	4/1993	Romme et al.	D6/515	
D348,389	S	*	7/1994	Nigro	D9/319	
D372,386	S	*	8/1996	Kuchenbecker	D6/518	
D372,387	S	*	8/1996	Kuchenbecker	D6/518	
D424,342	S	*	5/2000	Pasquale	D6/519	

OTHER PUBLICATIONS

Ma Leck Catalogue (1980) p. 31, Tissue Box Covers ML
1550, ML 1551.*

* cited by examiner

Primary Examiner—Brian N. Vinson

(74) *Attorney, Agent, or Firm*—Charles H. Thomas

(57) **CLAIM**

I claim the ornamental design for the article large wooden tissue box cover, as shown and described.

DESCRIPTION

FIG. 1 is a perspective view of one embodiment of a large wooden tissue box cover illustrating my new design;

FIG. 2 is a top plan view thereof;

FIG. 3 is a bottom plan view thereof;

FIG. 4 is a front elevational view thereof with the undisclosed rear elevational view being identical to that illustrated;

FIG. 5 is a left-side elevational view thereof, with the undisclosed right-side elevational view being a mirror image of that illustrated;

FIG. 6 is a perspective view of a second embodiment thereof, the right side and rear being identical in appearance to the left side and front, respectively;

FIG. 7 is a perspective view of a third embodiment thereof, the right side and rear being identical in appearance to the left side and front, respectively; and,

FIG. 8 is a perspective view of a fourth embodiment thereof, the right side and rear being identical in appearance to the left side and front, respectively.

1 Claim, 6 Drawing Sheets

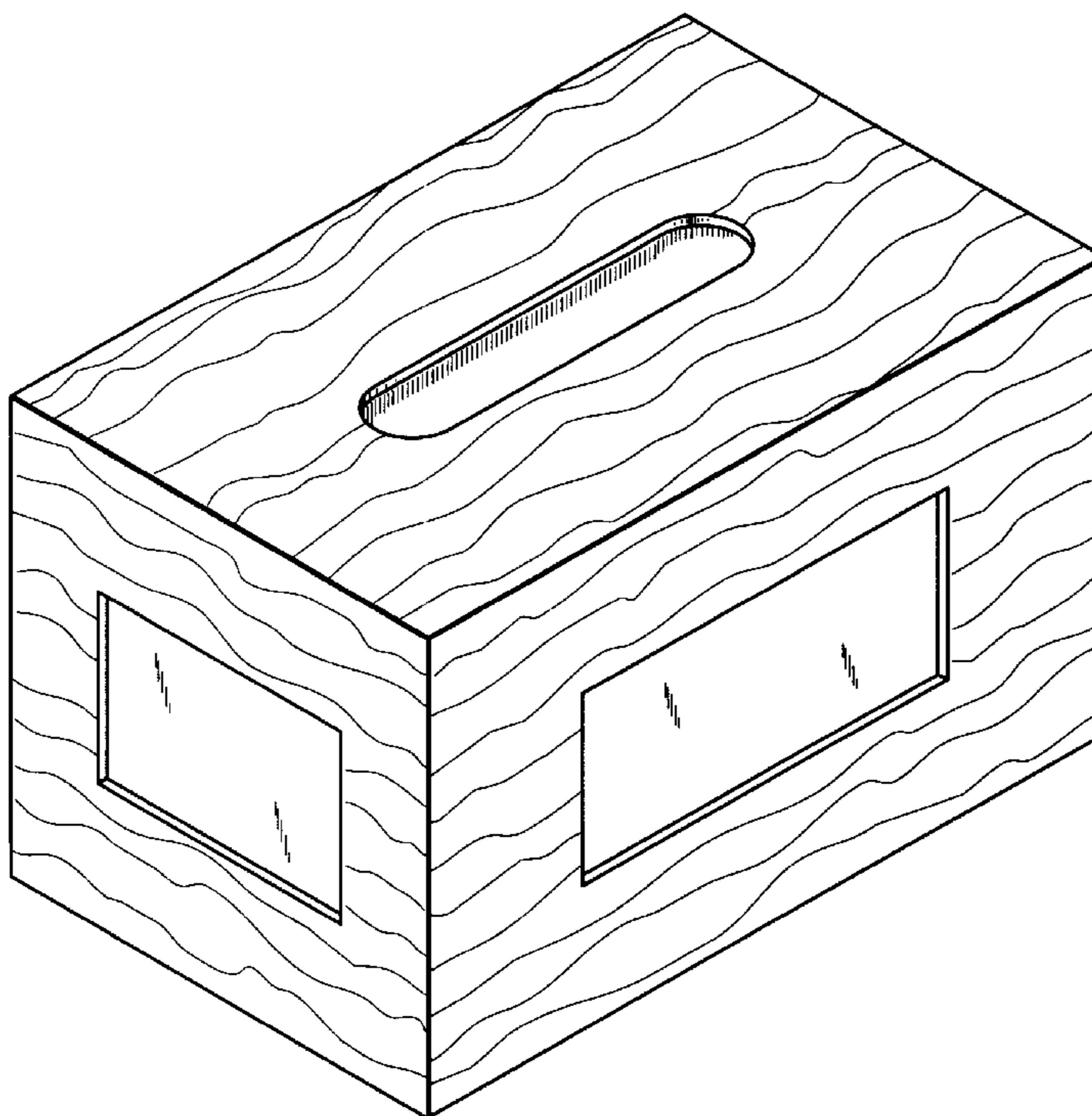


FIG. 1

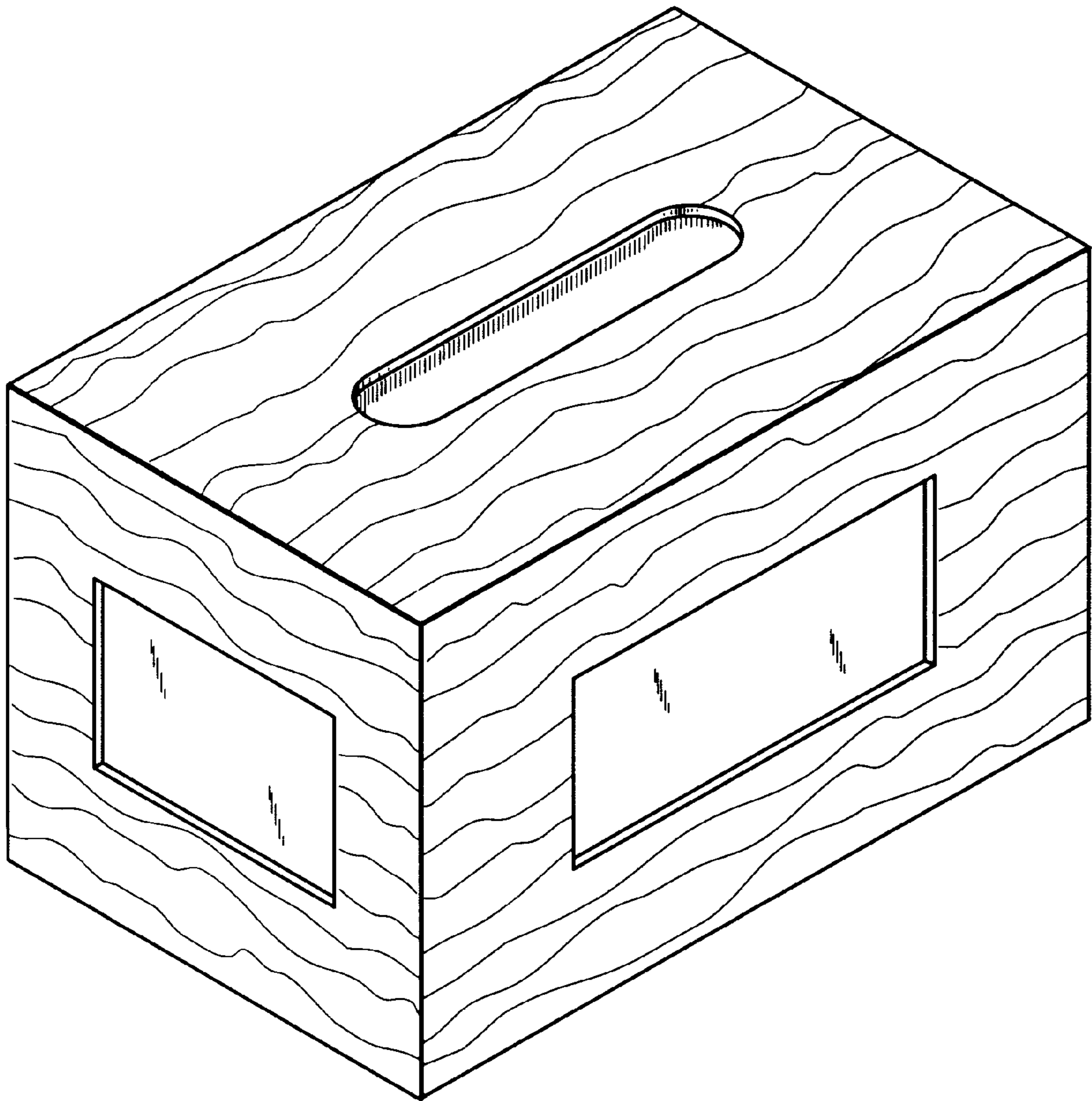


FIG. 2

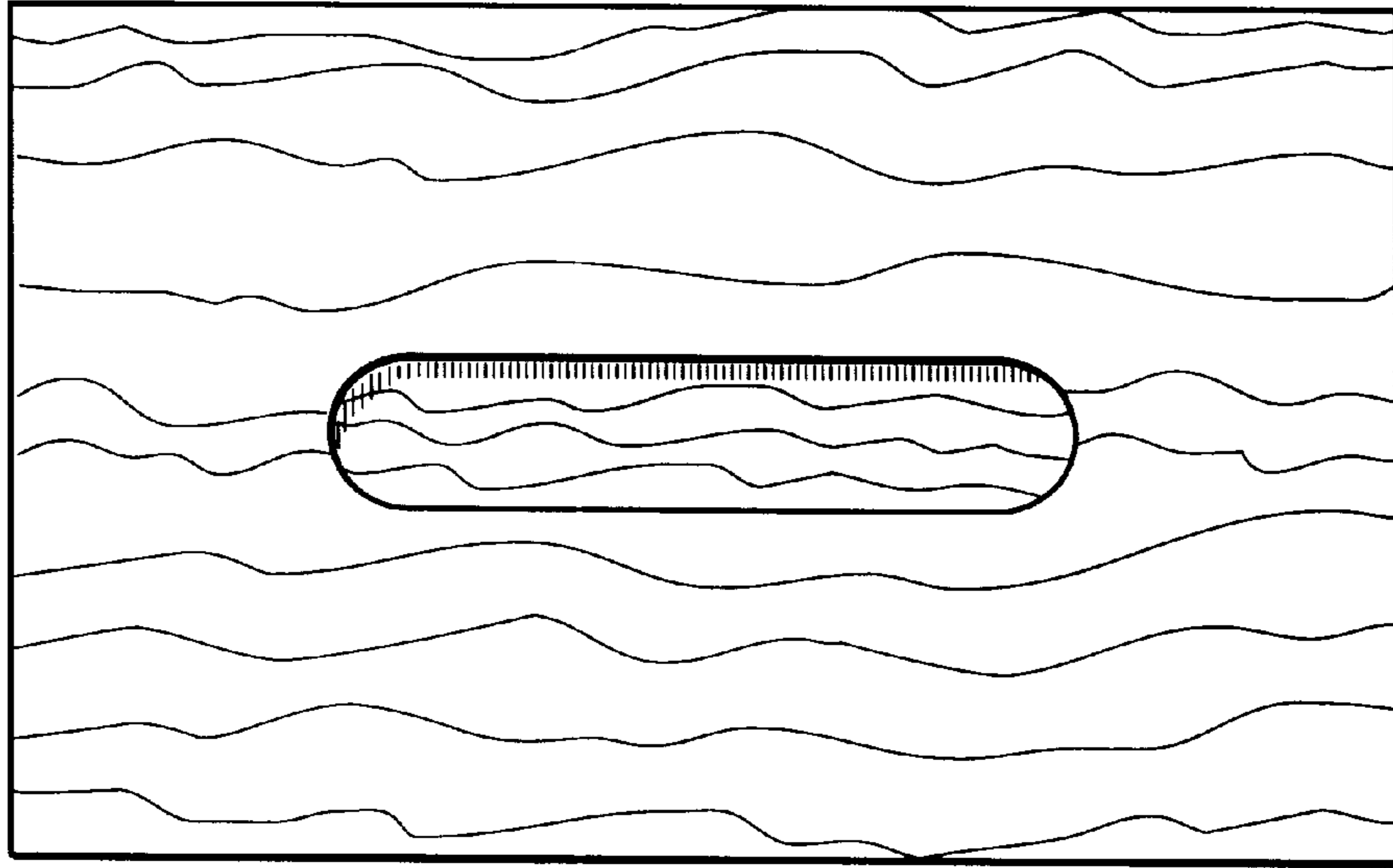


FIG. 3

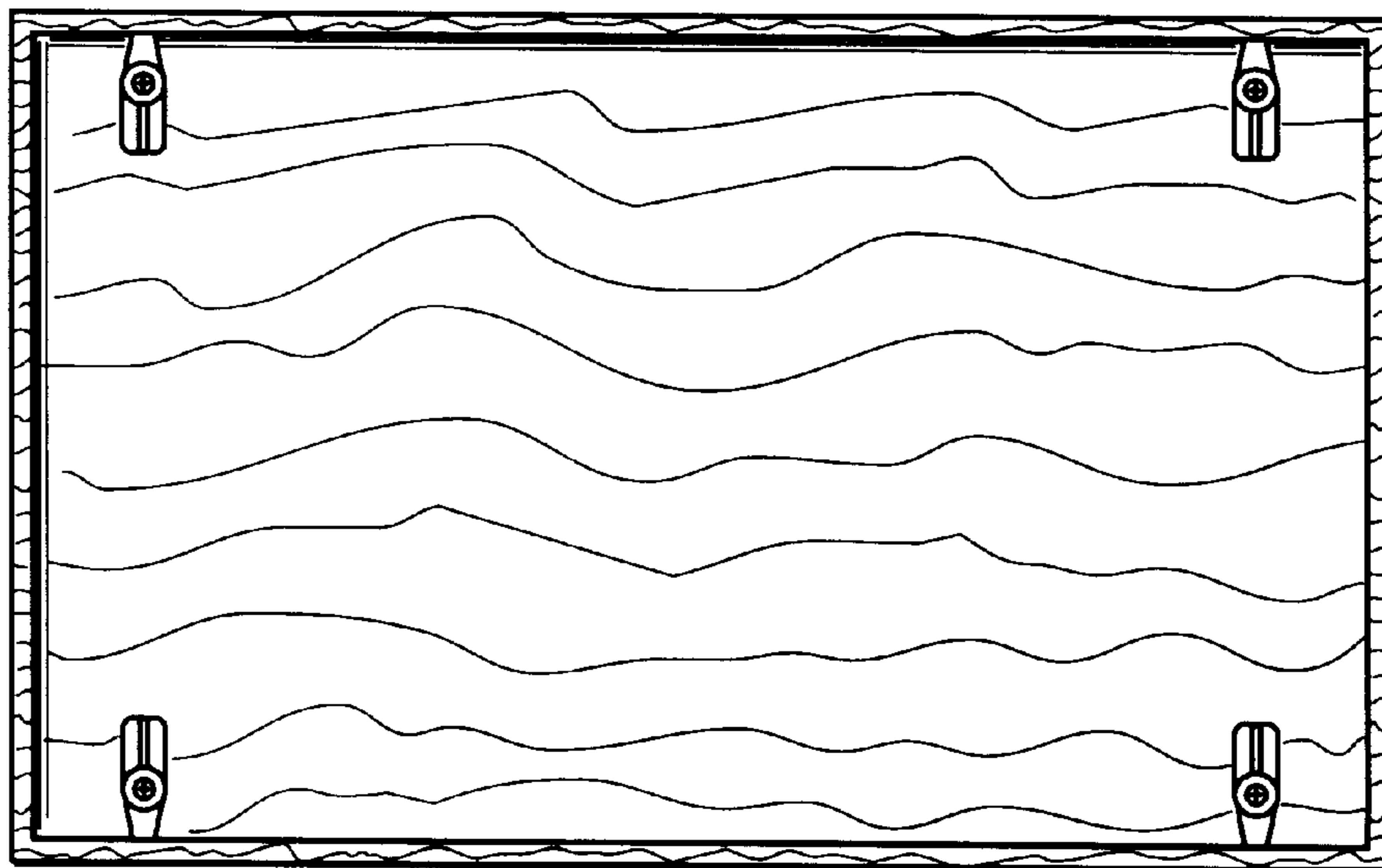


FIG. 4

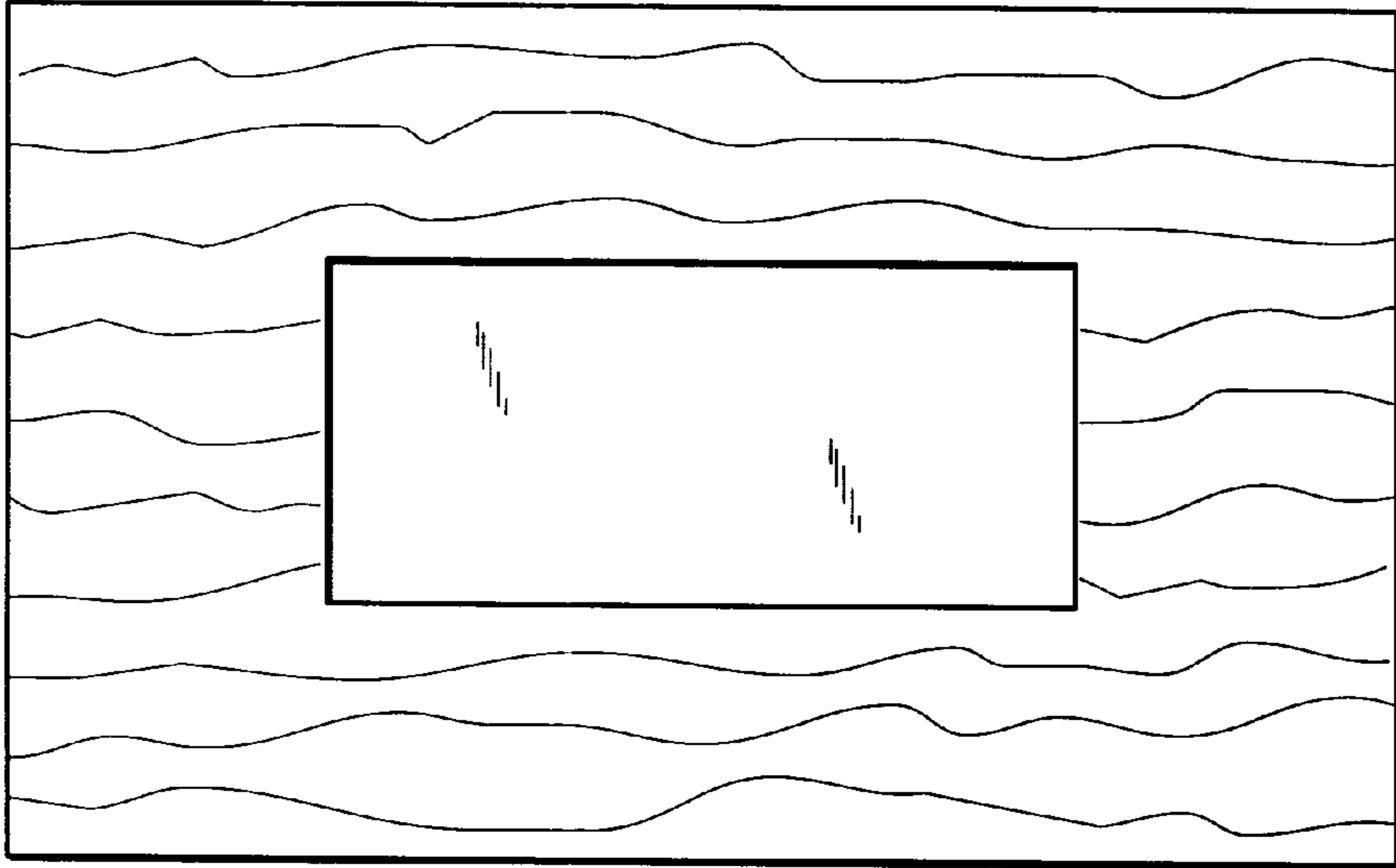


FIG. 5

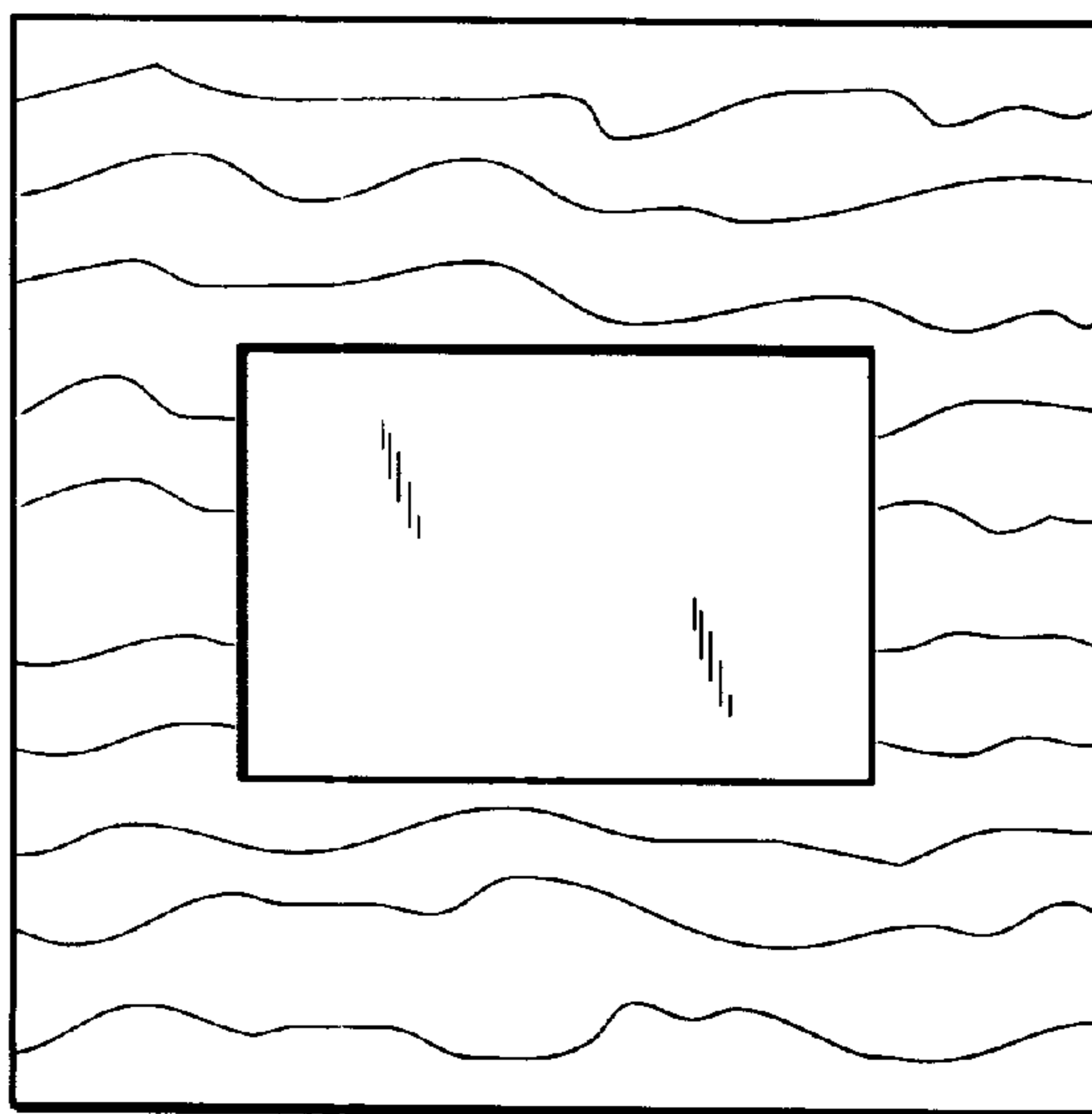


FIG. 6

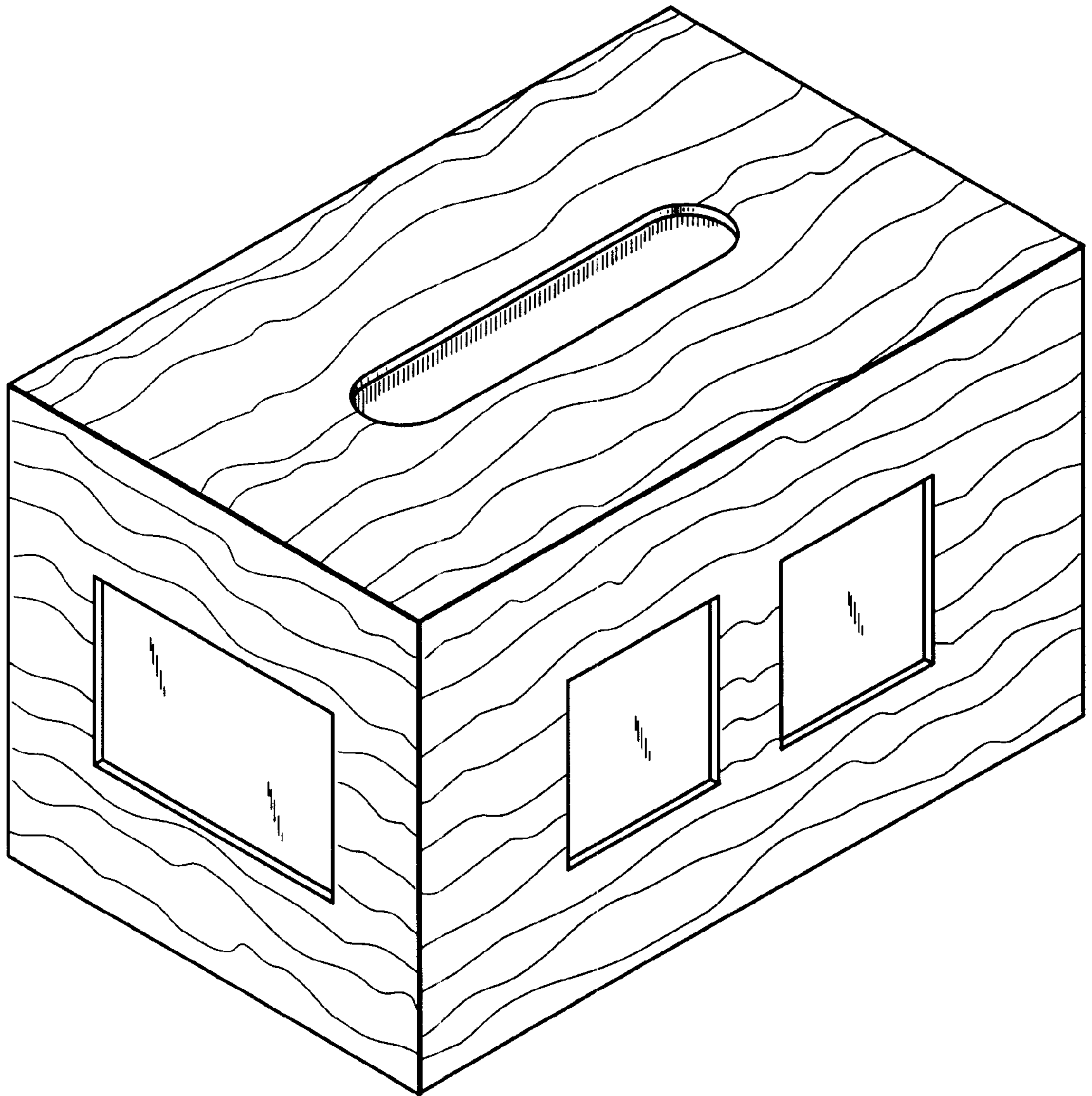


FIG. 7

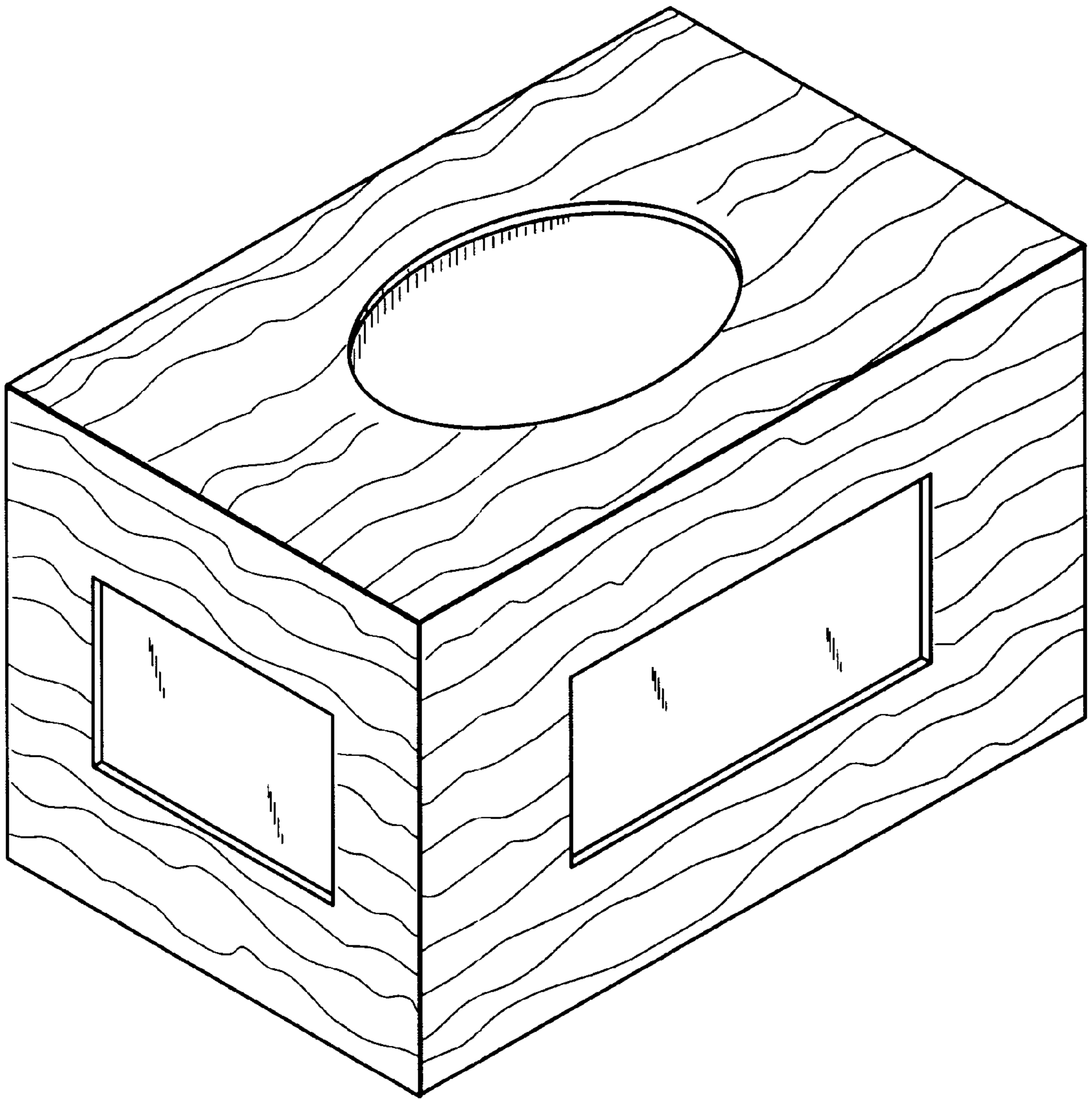


FIG. 8

