



US00D455300S

(12) **United States Design Patent**
Davies et al.

(10) **Patent No.:** **US D455,300 S**

(45) **Date of Patent:** **** Apr. 9, 2002**

(54) **OPTICAL WORKSTATION**

D355,088 S * 2/1995 Dobbs D6/480

D405,631 S * 2/1999 Burdick et al. D6/487

D423,254 S * 4/2000 Alcala et al. D6/484

(75) Inventors: **Philip Andrew Davies**, Cambridge;
Anil M. Patel, Leicestershire; **Malcolm Sargeant**, Cambridge; **Brian Watson**,
Tony Wills, both of London, all of
(GB)

* cited by examiner

(73) Assignee: **Melles Griot Limited**, London (GB)

Primary Examiner—Janice E. Seeger

(**) Term: **14 Years**

(74) *Attorney, Agent, or Firm*—Renner, Otto, Boisselle &
Sklar, LLP

(21) Appl. No.: **29/137,138**

(22) Filed: **Feb. 12, 2001**

(57) **CLAIM**

The ornamental design for a optical workstation, as shown
and described.

(30) **Foreign Application Priority Data**

Aug. 14, 2000 (GB) 2094936

DESCRIPTION

(51) **LOC (7) Cl.** **06-03**

FIG. 1 is a front perspective view of the optical workstation
showing my new design; and,

(52) **U.S. Cl.** **D6/484**

(58) **Field of Search** D6/480–489, 495–499;
108/153.1, 155, 156, 157.1, 158.11, 161;
248/188, 188.1, 188.8

FIG. 2 is a rear perspective view of the optical workstation.

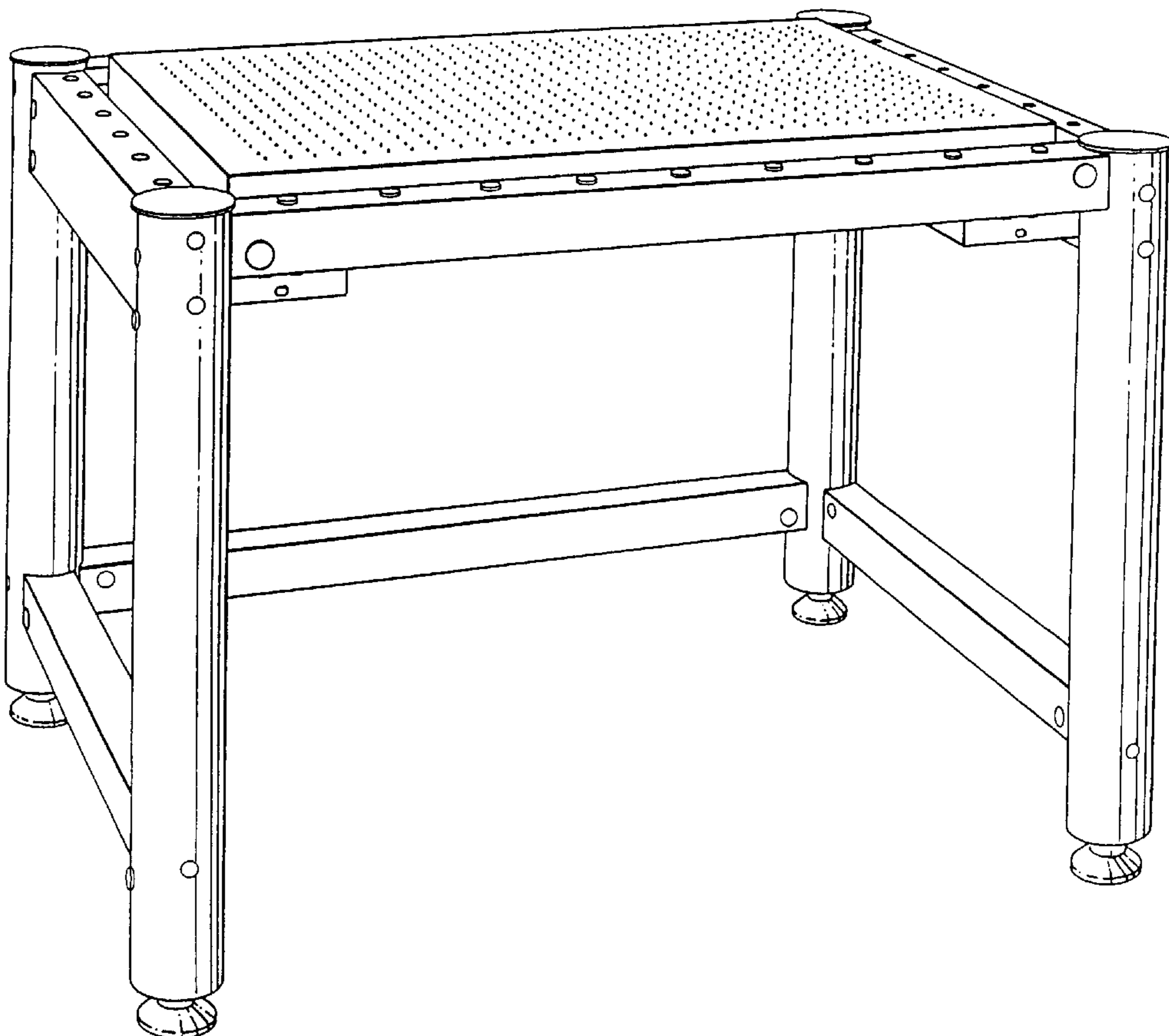
The bottom of the optical workstation is plain and unorna-
mented and therefore is not illustrated.

(56) **References Cited**

U.S. PATENT DOCUMENTS

3,533,363 A * 10/1970 Reiss 108/153.1

1 Claim, 2 Drawing Sheets



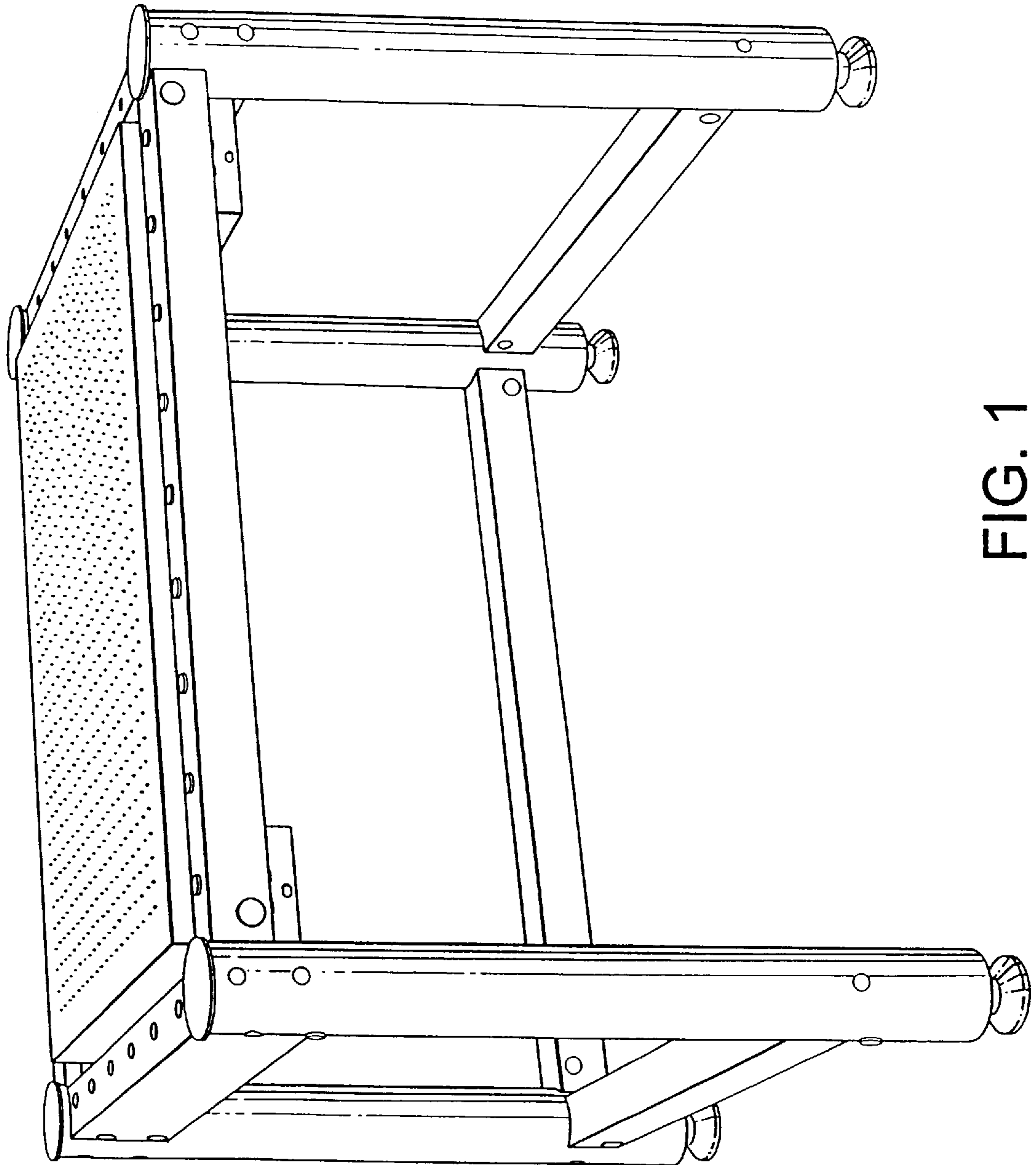


FIG. 1

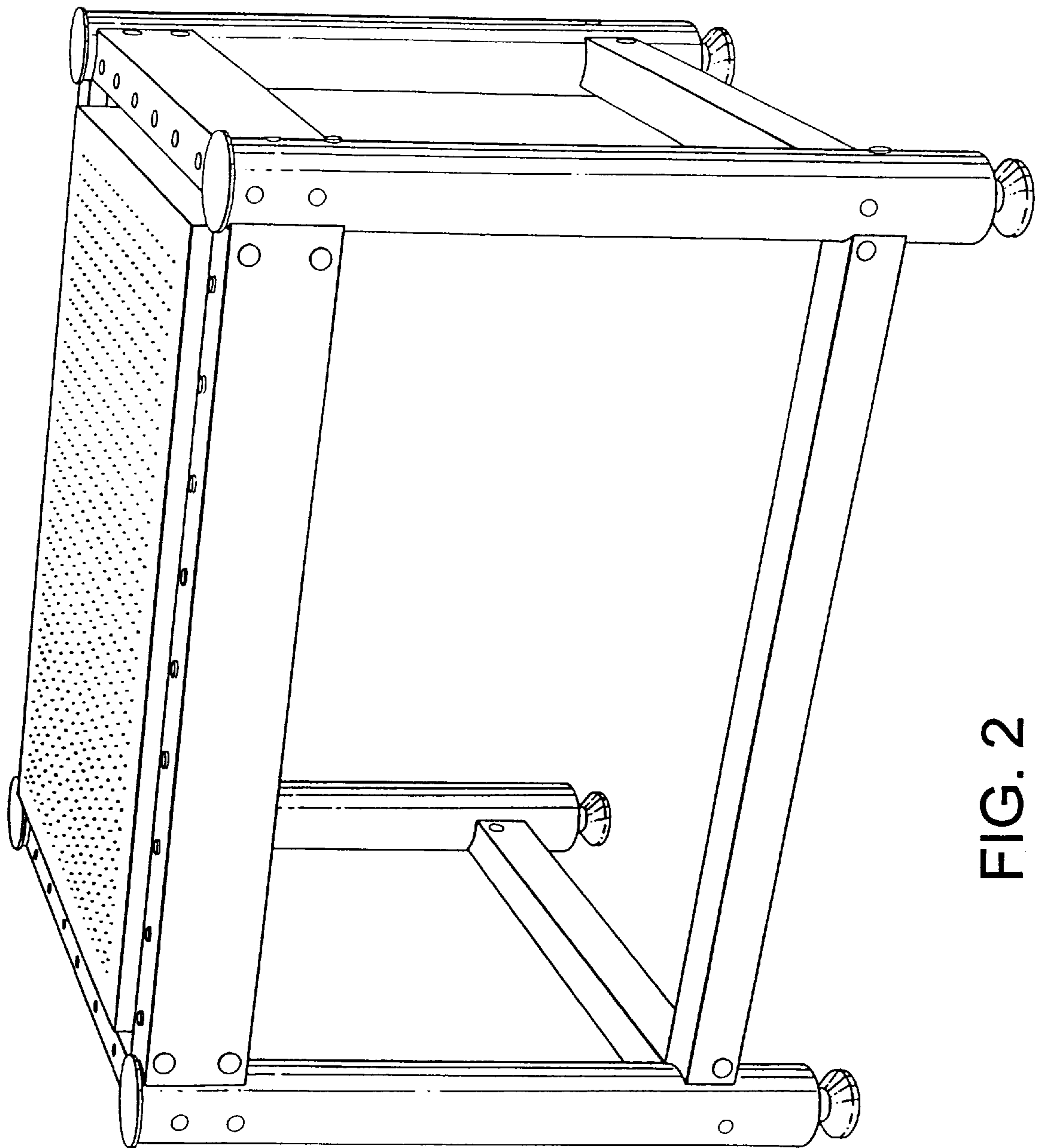


FIG. 2