



US00D455295S

(12) **United States Design Patent**
Miller

(10) **Patent No.:** **US D455,295 S**

(45) **Date of Patent:** **** Apr. 9, 2002**

(54) **PRODUCT MERCHANDISING UNIT**

(75) **Inventor:** **Donald J. Miller, Belleville, IL (US)**

(73) **Assignee:** **Paul Flum Ideas, Inc., St. Louis, MO (US)**

(**) **Term:** **14 Years**

(21) **Appl. No.:** **29/142,992**

(22) **Filed:** **Jun. 6, 2001**

(51) **LOC (7) Cl.** **06-06**

(52) **U.S. Cl.** **D6/462; D6/467; D6/566; D6/572; D6/511**

(58) **Field of Search** **D6/409-415, 458, D6/462-468, 475, 553, 566, 567, 572, 574; 211/87.01, 89.01, 13.1, 59.1, 59.2, 66, 74, 90.03, 106, 119, 134, 189, 181.1; 248/220.41, 465.1, 175, 451, 124.1**

(56) **References Cited**

U.S. PATENT DOCUMENTS

D231,178 S	*	4/1974	Wright	D6/462
4,310,097 A		1/1982	Merl		
4,742,923 A		5/1988	Calvert		
4,977,754 A		12/1990	Upton et al.		
D313,916 S	*	1/1991	Ballard	D6/572
D321,105 S	*	10/1991	Tenser et al.	D6/572
D321,452 S	*	11/1991	Davis	D6/571
D382,140 S	*	8/1997	Loflin	D6/465

5,695,075 A		12/1997	Flum et al.		
5,706,956 A		1/1998	Headrick et al.		
5,706,957 A		1/1998	Hardy		
5,706,958 A		1/1998	Spamer		
5,718,341 A		2/1998	Robertson		
5,785,189 A	*	7/1998	Gollob et al.	211/187
5,836,460 A	*	11/1998	Brown et al.	211/74
5,865,326 A	*	2/1999	Spamer et al.	211/181.1
5,921,412 A	*	7/1999	Merl	211/90.03
D416,157 S	*	11/1999	Akins	D6/566
D416,722 S	*	11/1999	Hartwall	D6/511
D427,824 S	*	7/2000	Osburn et al.	D6/511
6,273,276 B1	*	8/2001	Upton et al.	211/59.2

* cited by examiner

Primary Examiner—Cathron C. Brooks

(74) *Attorney, Agent, or Firm*—Blackwell Sanders Peper Martin LLP

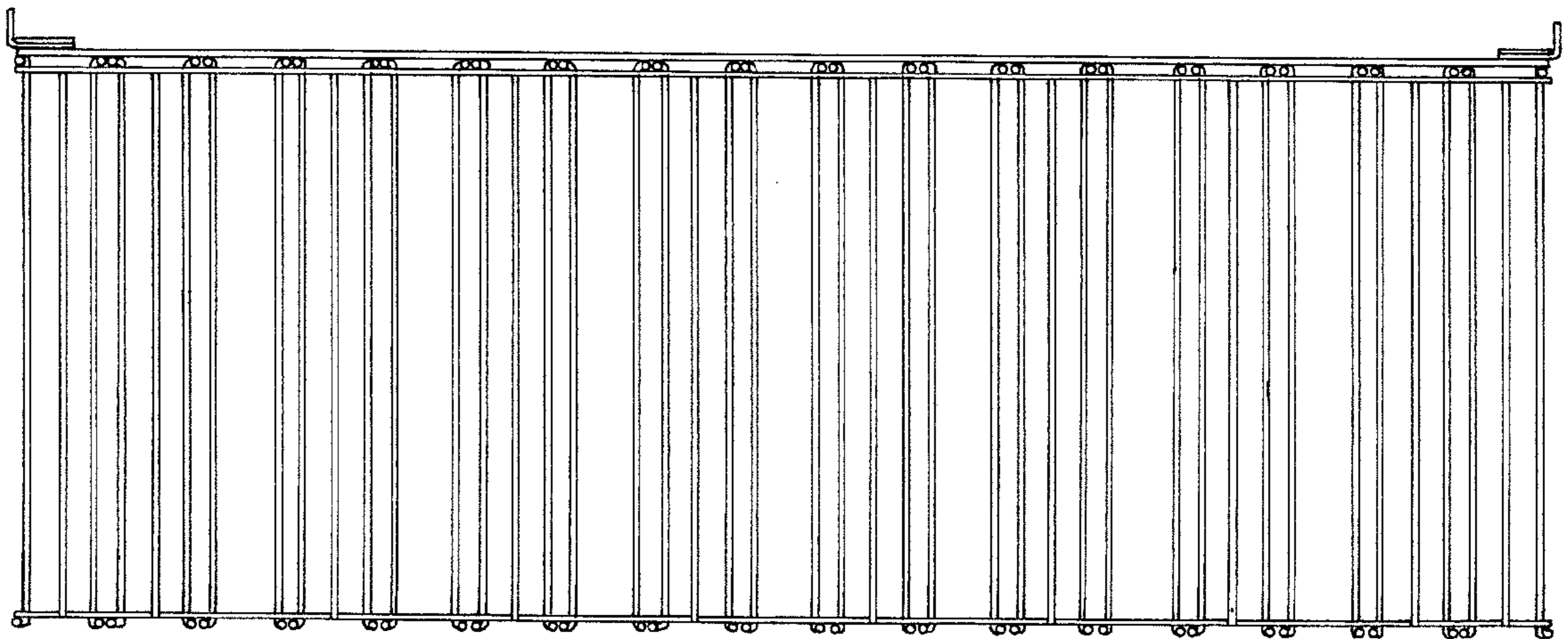
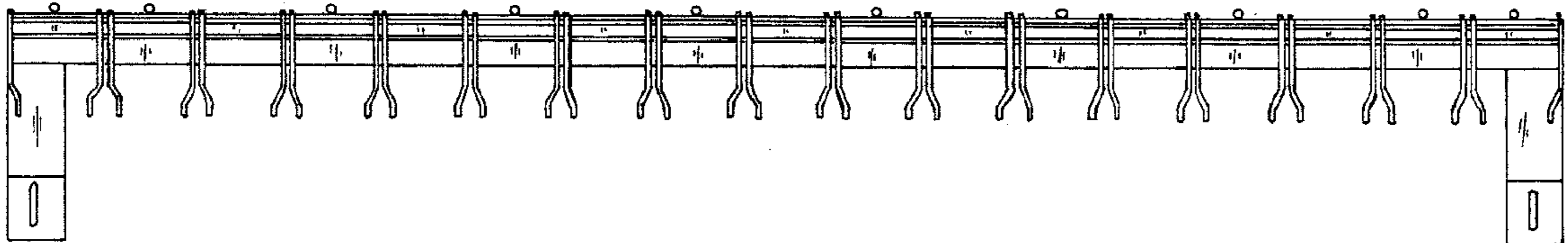
(57) **CLAIM**

The ornamental design for a product merchandising unit, as shown and described.

DESCRIPTION

FIG. 1 is a front elevational view of the product merchandising unit showing my new design; FIG. 2 is a left side elevational view thereof; FIG. 3 is a top plan view thereof; FIG. 4 is a bottom plan view thereof; and, FIG. 5 is a rear elevational view thereof.

1 Claim, 3 Drawing Sheets



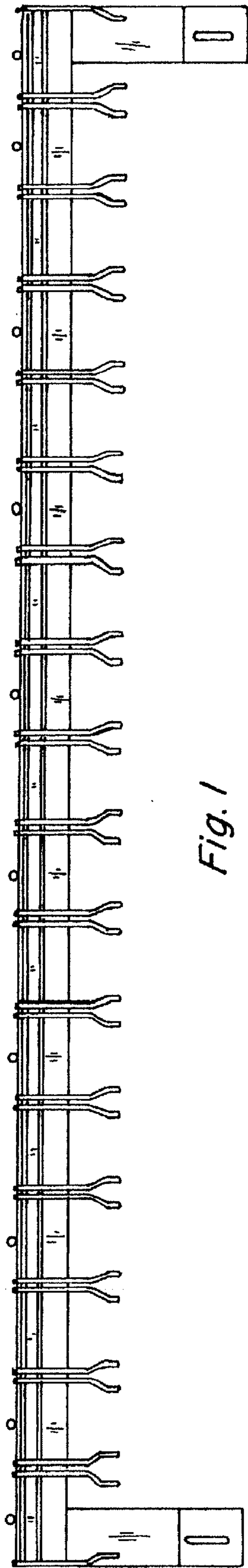


Fig. 1

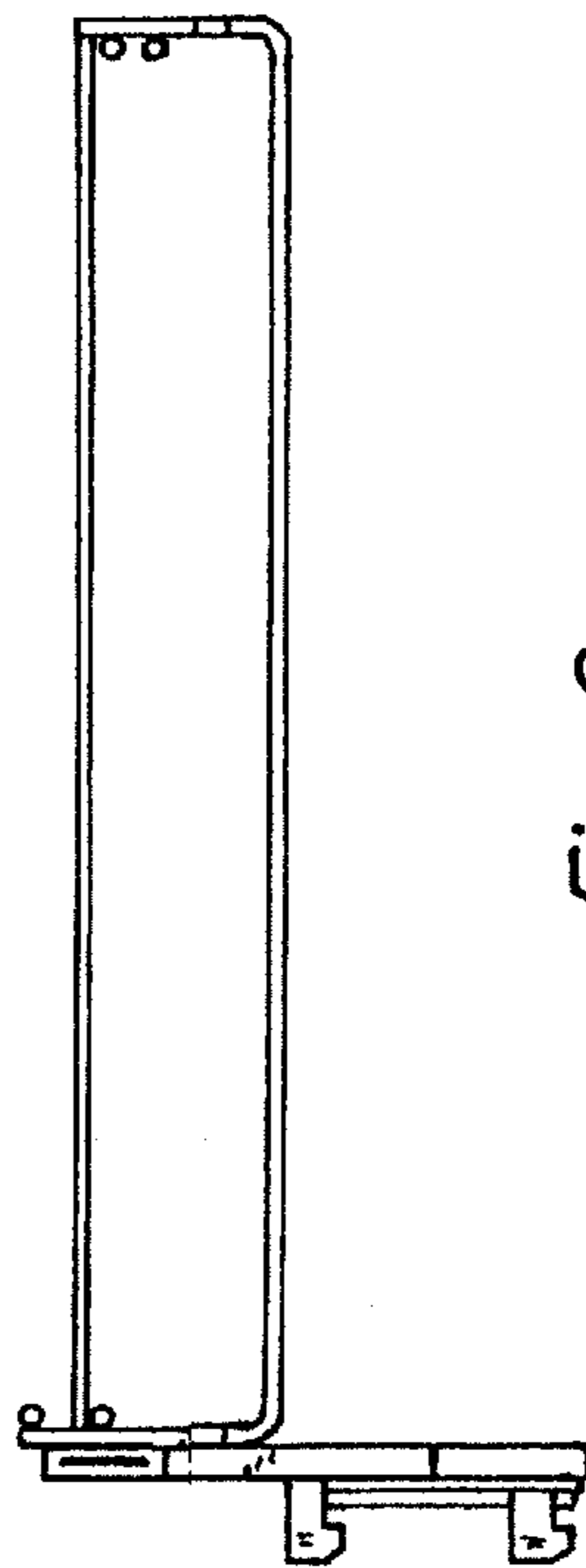


Fig. 2

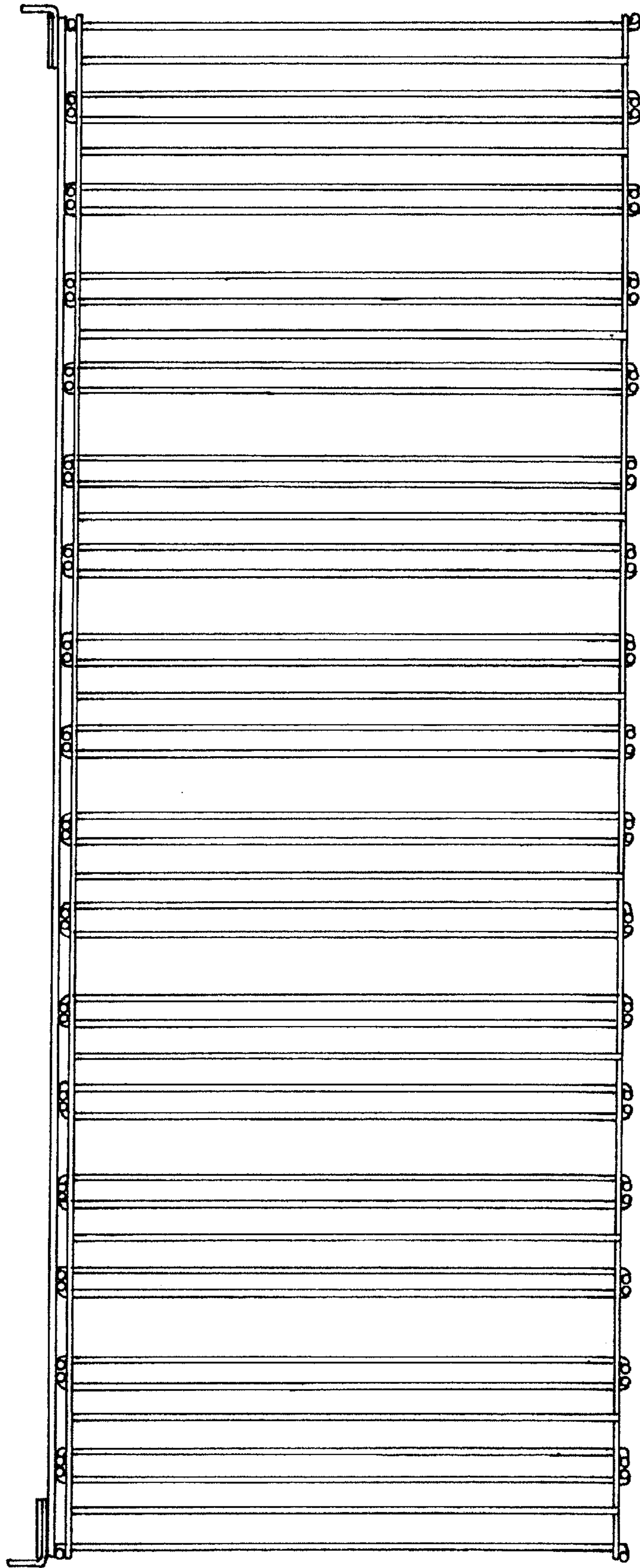


Fig. 3

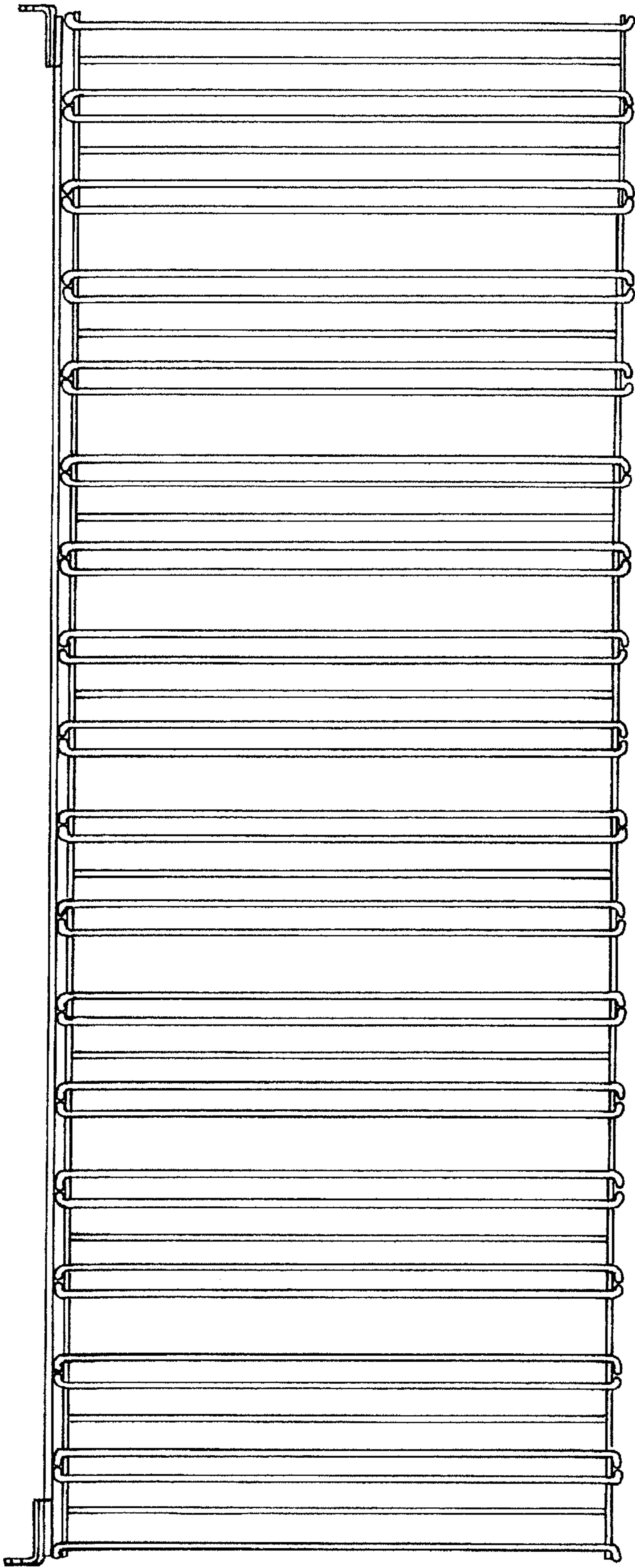


Fig. 4

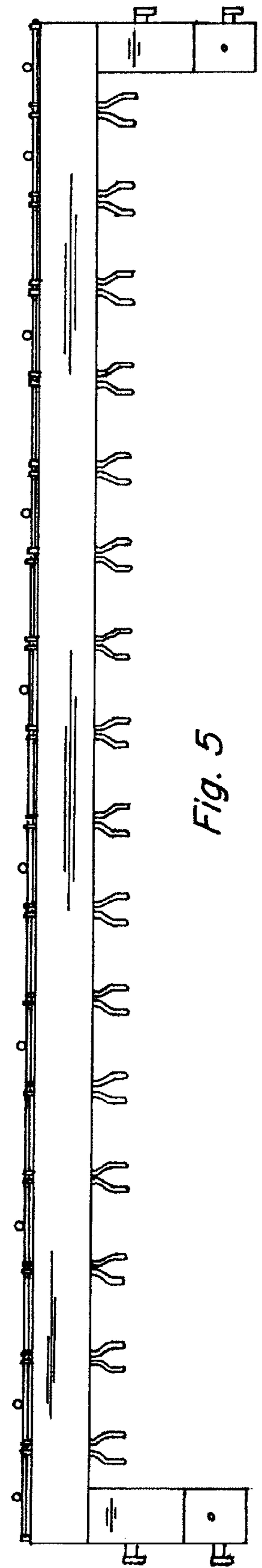


Fig. 5