



US00D455293S

(12) **United States Design Patent**
Stravitz

(10) **Patent No.:** **US D455,293 S**

(45) **Date of Patent:** **** Apr. 9, 2002**

(54) **RACK WITH CURVED SIDES**

(76) **Inventor:** **David M. Stravitz**, 16 Park Ave., Suite
14 A, New York, NY (US) 10016

(**) **Term:** **14 Years**

(21) **Appl. No.:** **29/144,940**

(22) **Filed:** **Jul. 12, 2001**

Related U.S. Application Data

(62) Division of application No. 29/128,827, filed on Aug. 30,
2000, now Pat. No. Des. 446,967.

(51) **LOC (7) Cl.** **06-99**

(52) **U.S. Cl.** **D6/449**; D19/90

(58) **Field of Search** D6/407, 449, 472,
D6/475; D19/90, 91; 206/215, 425; 211/10-11,
40, 42, 50, 55, 84-85; 220/4.33, 7, 6; 312/258

(56) **References Cited**

U.S. PATENT DOCUMENTS

2,197,789	A	*	4/1940	Dalton	220/6
D253,444	S	*	11/1979	Mathus et al.	D6/407
D299,360	S	*	1/1989	Klodt	D6/407 X
D299,389	S		1/1989	Klodt		
D299,478	S	*	1/1989	Klodt	D19/90

D314,215	S		1/1991	Hawes, Jr. et al.		
D323,190	S	*	1/1992	Evenson	D19/90
D324,239	S		2/1992	Halm		
D328,761	S		8/1992	Evenson		
D385,921	S		11/1997	Tisbo		
D400,926	S		11/1998	Stravitz		

* cited by examiner

Primary Examiner—Nanda Bondade

(74) *Attorney, Agent, or Firm*—Frishauf, Holtz, Goodman,
Langer & Chick, P.C.

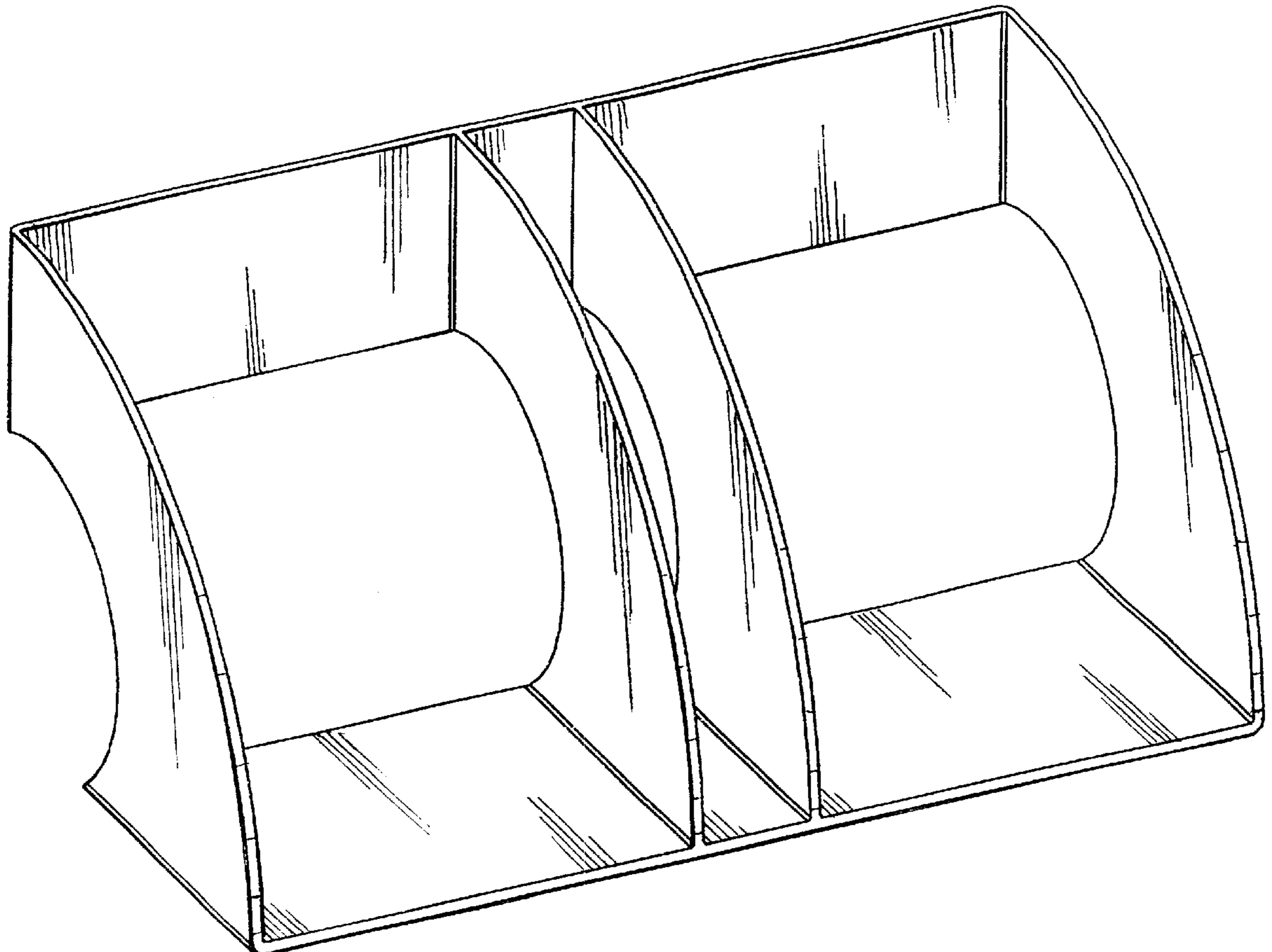
(57) **CLAIM**

The ornamental design for a rack with curved sides, as
shown and described.

DESCRIPTION

FIG. 1 is a top, front, right side perspective view of a rack
with curved sides showing my new design;
FIG. 2 is a top, rear, right side perspective view thereof;
FIG. 3 is a front elevational view thereof;
FIG. 4 is a rear elevational view thereof;
FIG. 5 is a left side elevational view, the right side eleva-
tional view being a mirror image thereof;
FIG. 6 is a top plan view thereof; and,
FIG. 7 is a bottom plan view thereof.

1 Claim, 4 Drawing Sheets



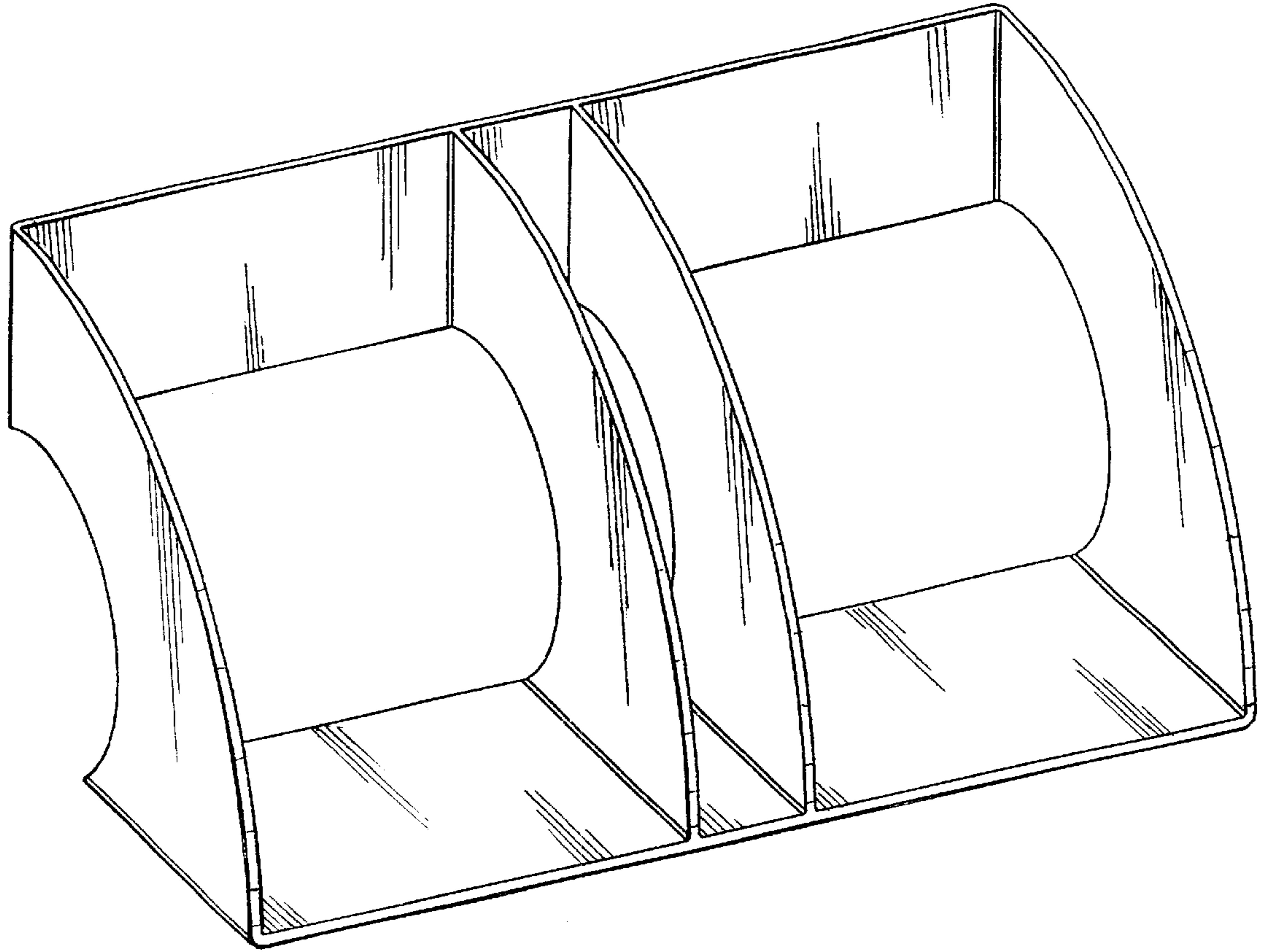


Fig. 1

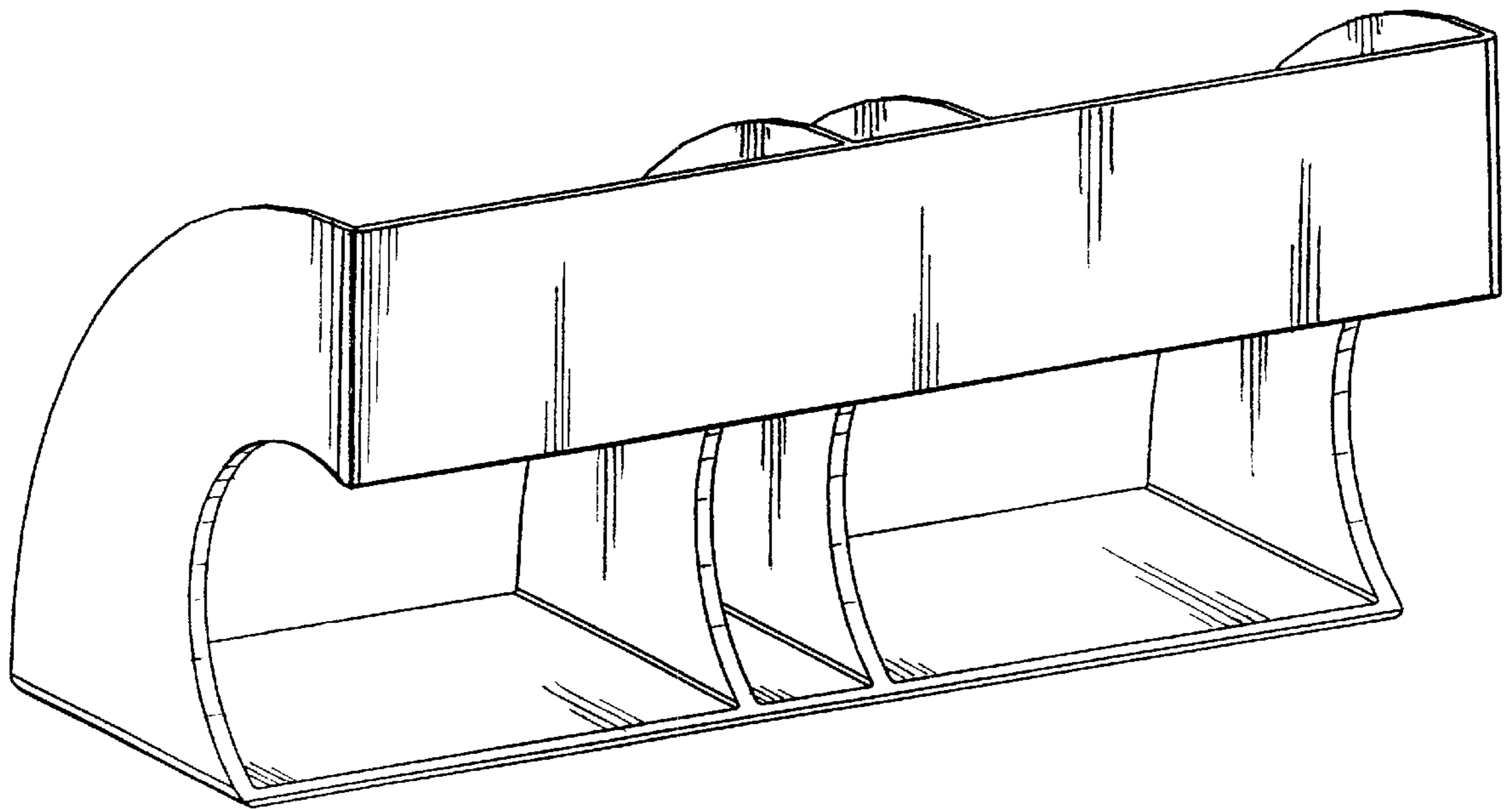


Fig. 2

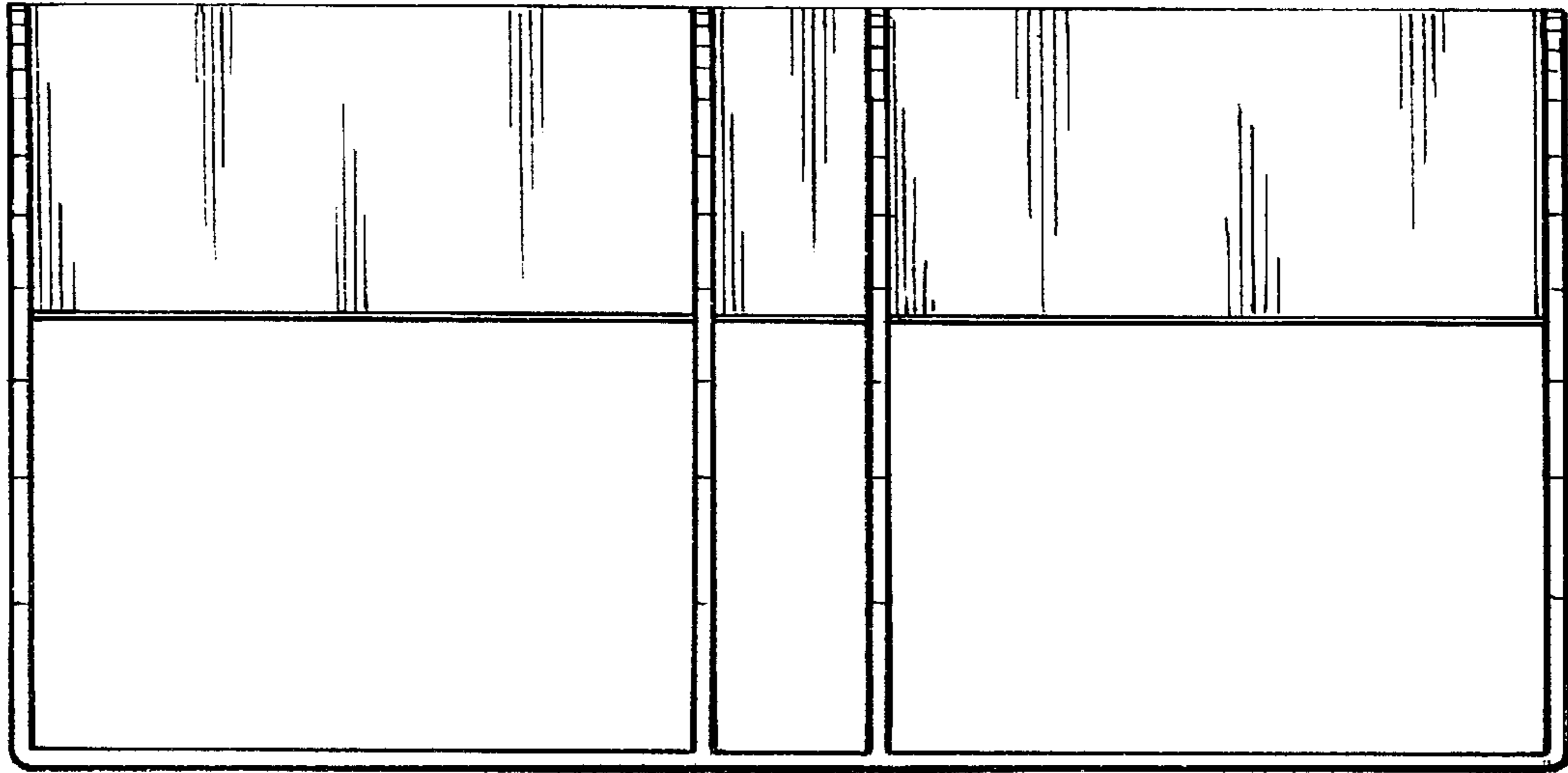


Fig. 3

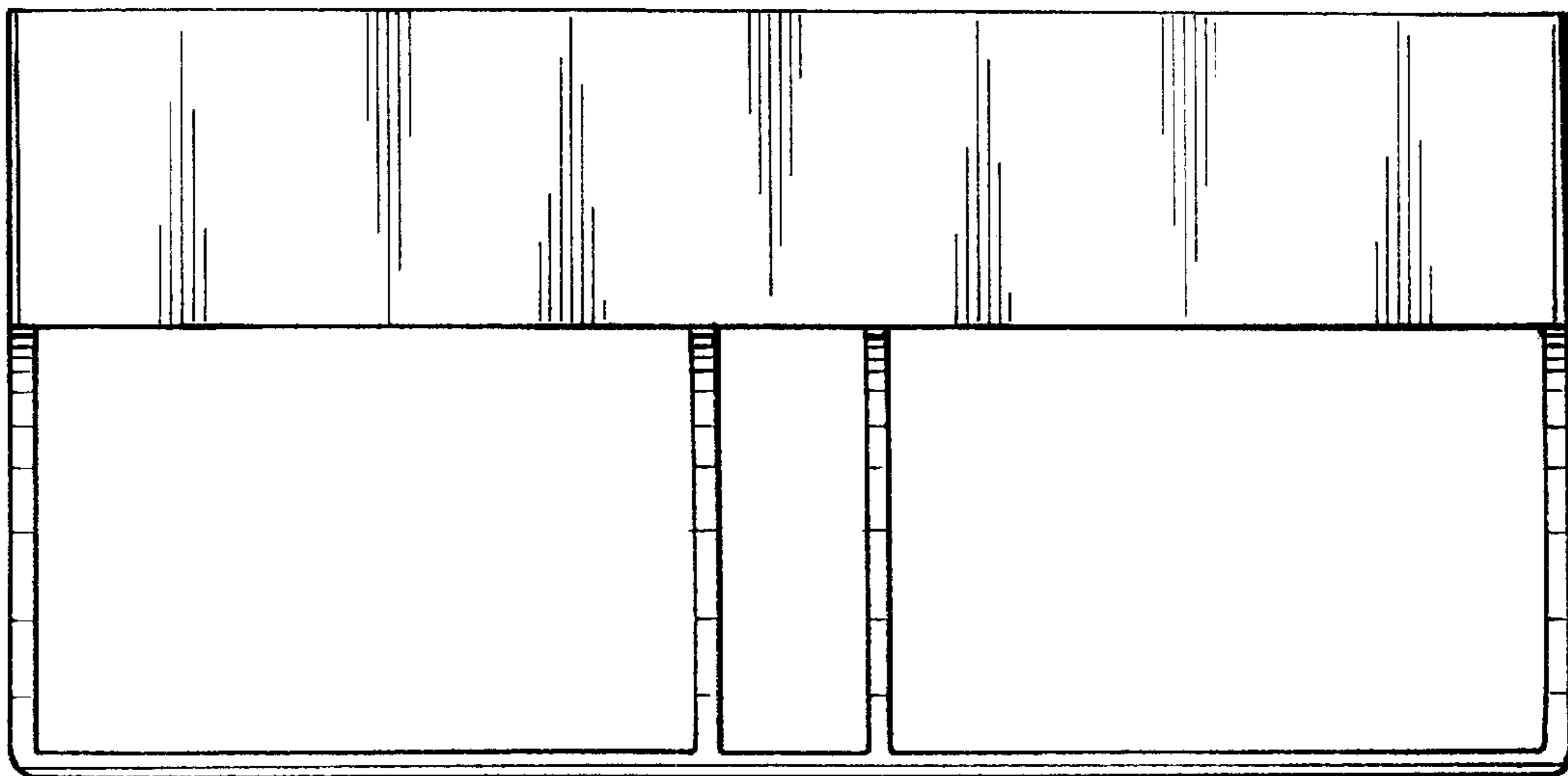


Fig. 4

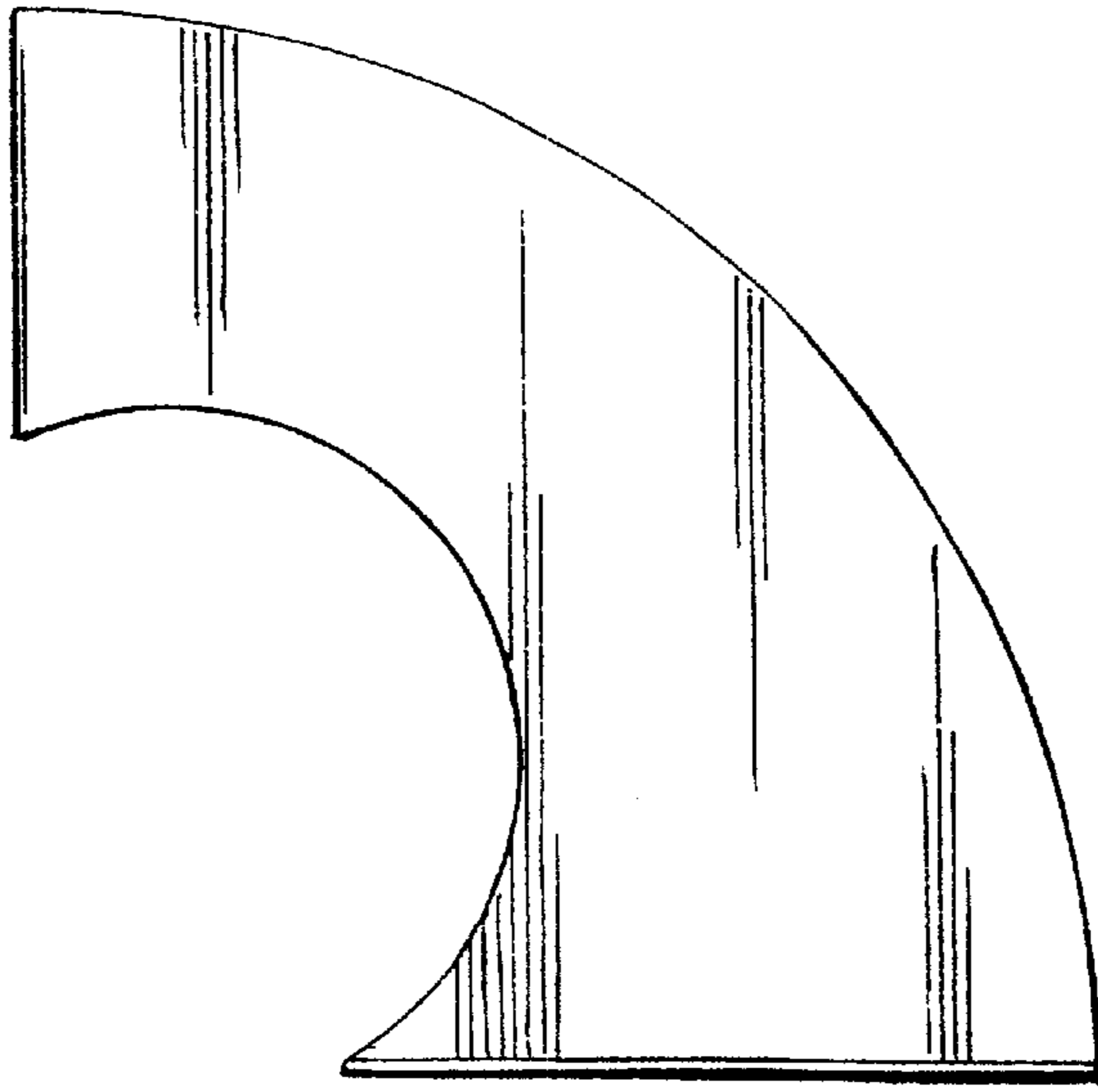


Fig. 5

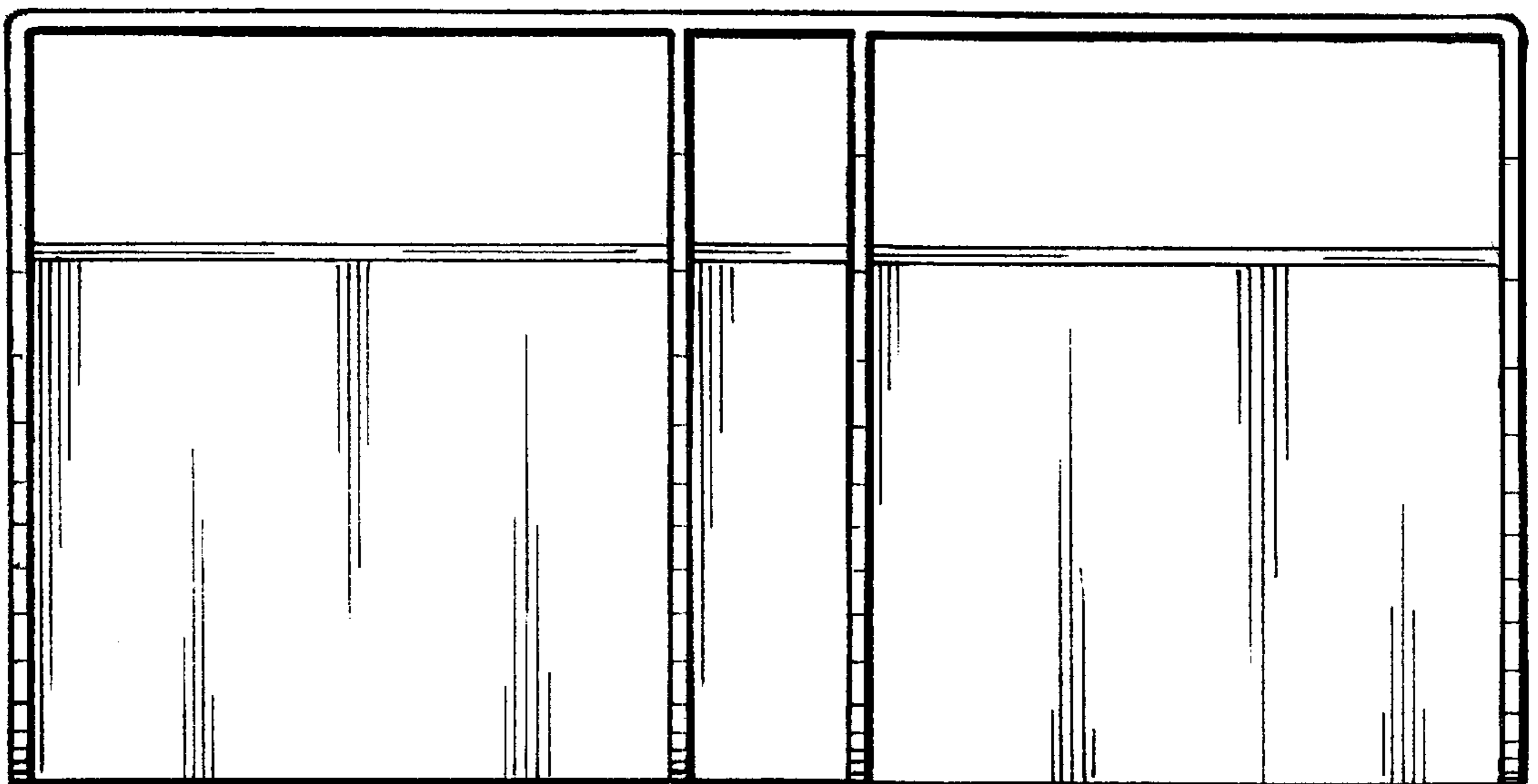


Fig. 6

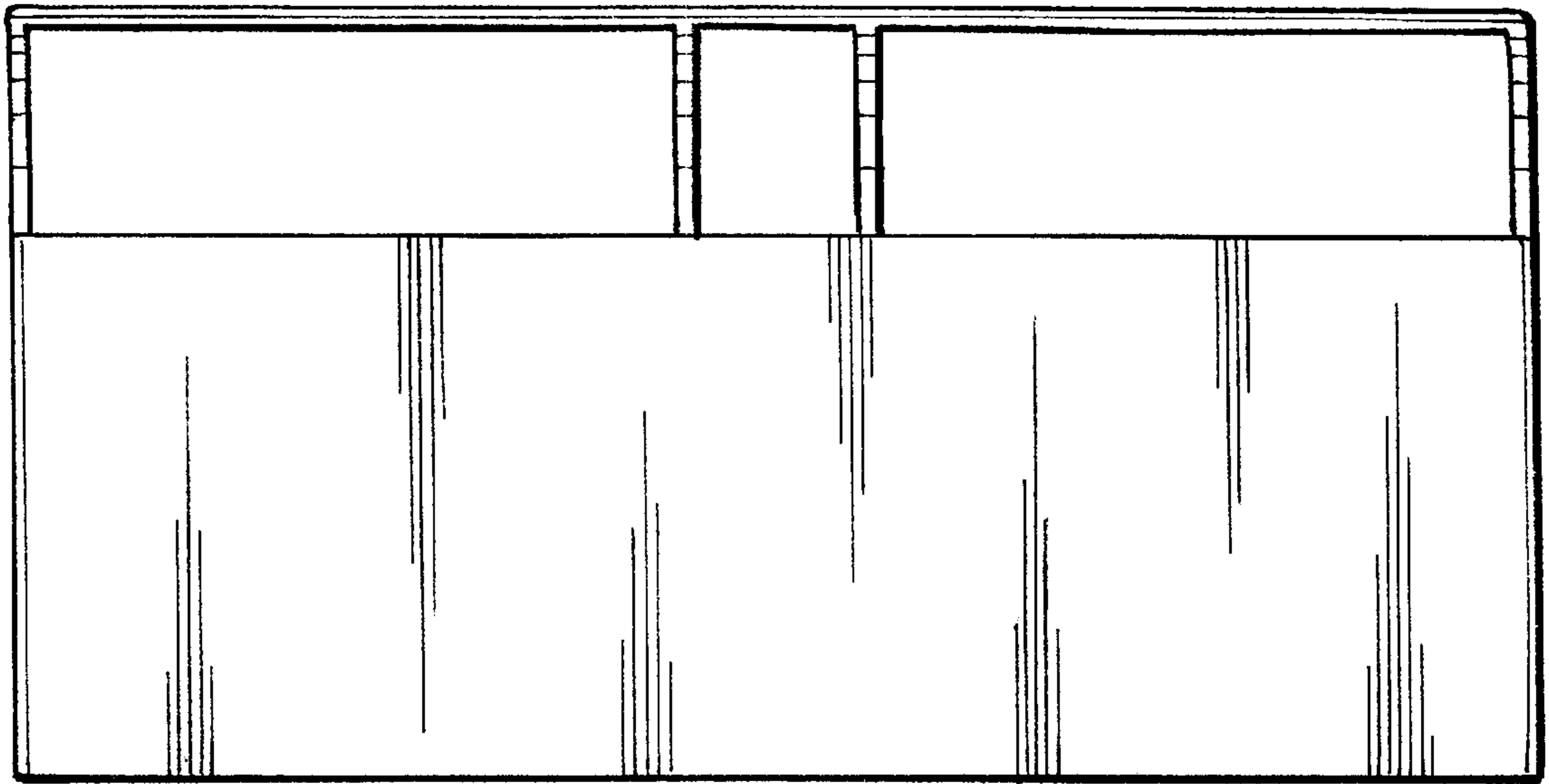


Fig. 7