



US00D455283S

(12) **United States Design Patent**
McDaniel et al.

(10) **Patent No.:** **US D455,283 S**

(45) **Date of Patent:** **** Apr. 9, 2002**

(54) **BED**

(75) **Inventors:** **Thomas M. McDaniel; D. Scott Coley,**
both of Morganton, NC (US)

(73) **Assignee:** **Bernhardt, L.L.C.,** Lenoir, NC (US)

(**) **Term:** **14 Years**

(21) **Appl. No.:** **29/139,181**

(22) **Filed:** **Mar. 26, 2001**

(51) **LOC (7) Cl.** **06-01**

(52) **U.S. Cl.** **D6/393**

(58) **Field of Search** D6/382-395, 505-508;
5/53.1, 279.1, 280, 281, 907

(56) **References Cited**

U.S. PATENT DOCUMENTS

- D278,488 S * 4/1985 West D6/508
- D376,054 S * 12/1996 Bergelin D6/389
- D445,593 S * 7/2001 OaHare et al. D6/393

OTHER PUBLICATIONS

Ethen Allen c1998, p. 291, panel bed at bottom left, copy in design library.*

Photocopy of a gothic bed; origin unknown, undated.

* cited by examiner

Primary Examiner—Janice E. Seeger

(74) *Attorney, Agent, or Firm*—MacCord Mason PLLC

(57) **CLAIM**

The ornamental design for a bed, as shown and described.

DESCRIPTION

FIG. 1 is a left front perspective view of a bed showing my new design;

FIG. 2 is a side elevational view of the headboard and footboard, the opposite side being a mirror image thereof;

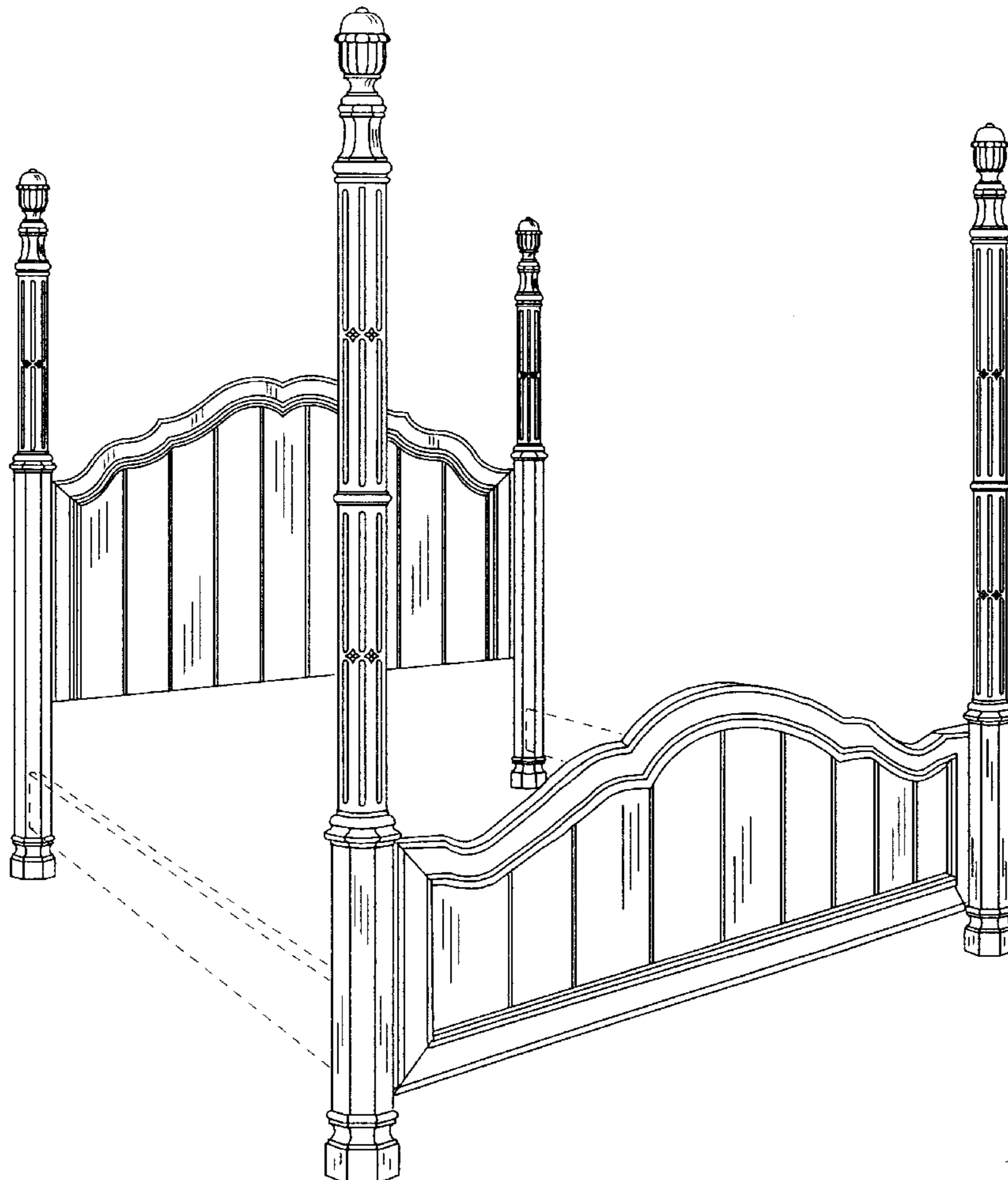
FIG. 3 is a front elevational view of the headboard;

FIG. 4 is a front elevational view of the footboard; and,

FIG. 5 is a perspective view of the footboard from the inside.

The broken lines showing the bed rails is for illustrative purposes only and forms no part of the claimed design.

1 Claim, 5 Drawing Sheets



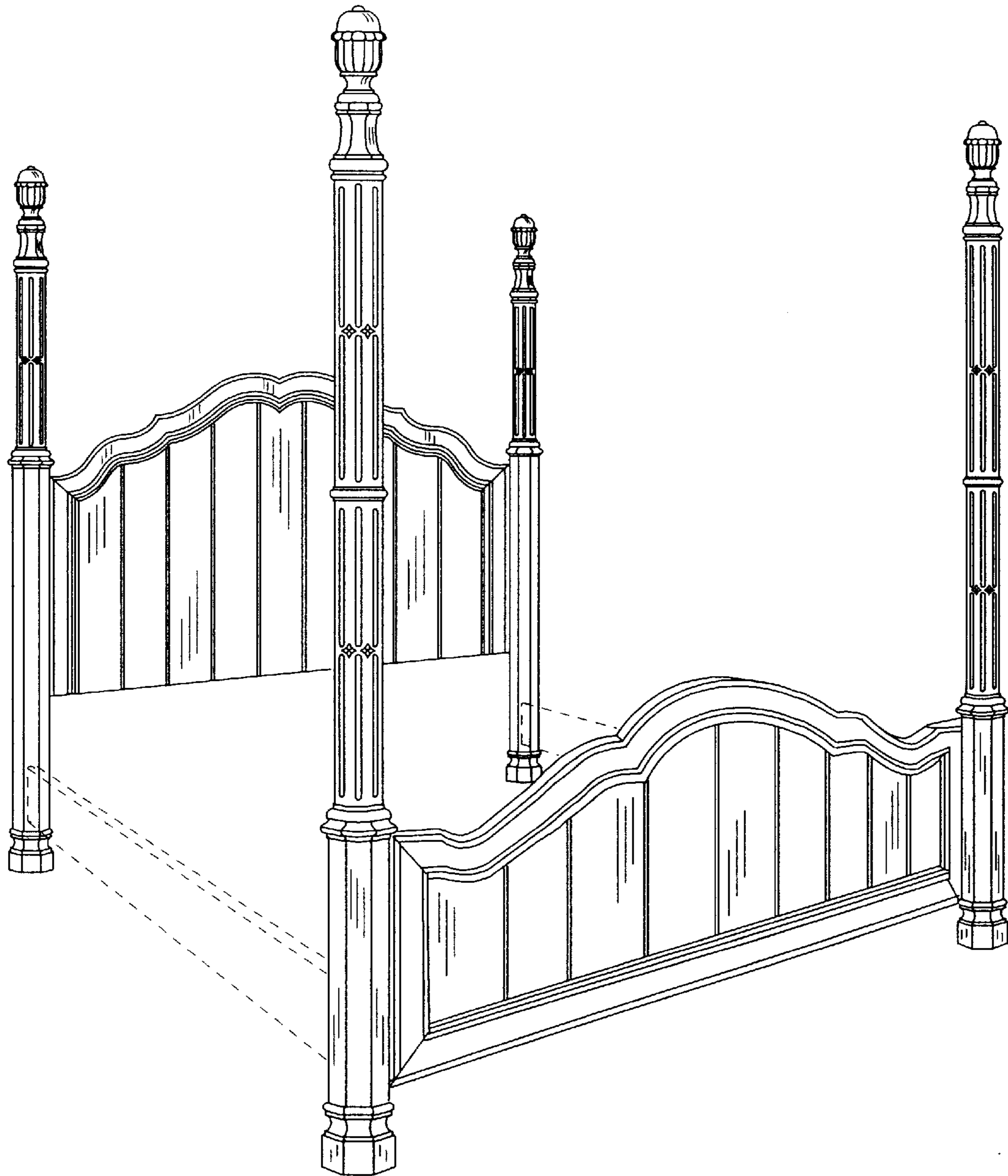


FIG. 1

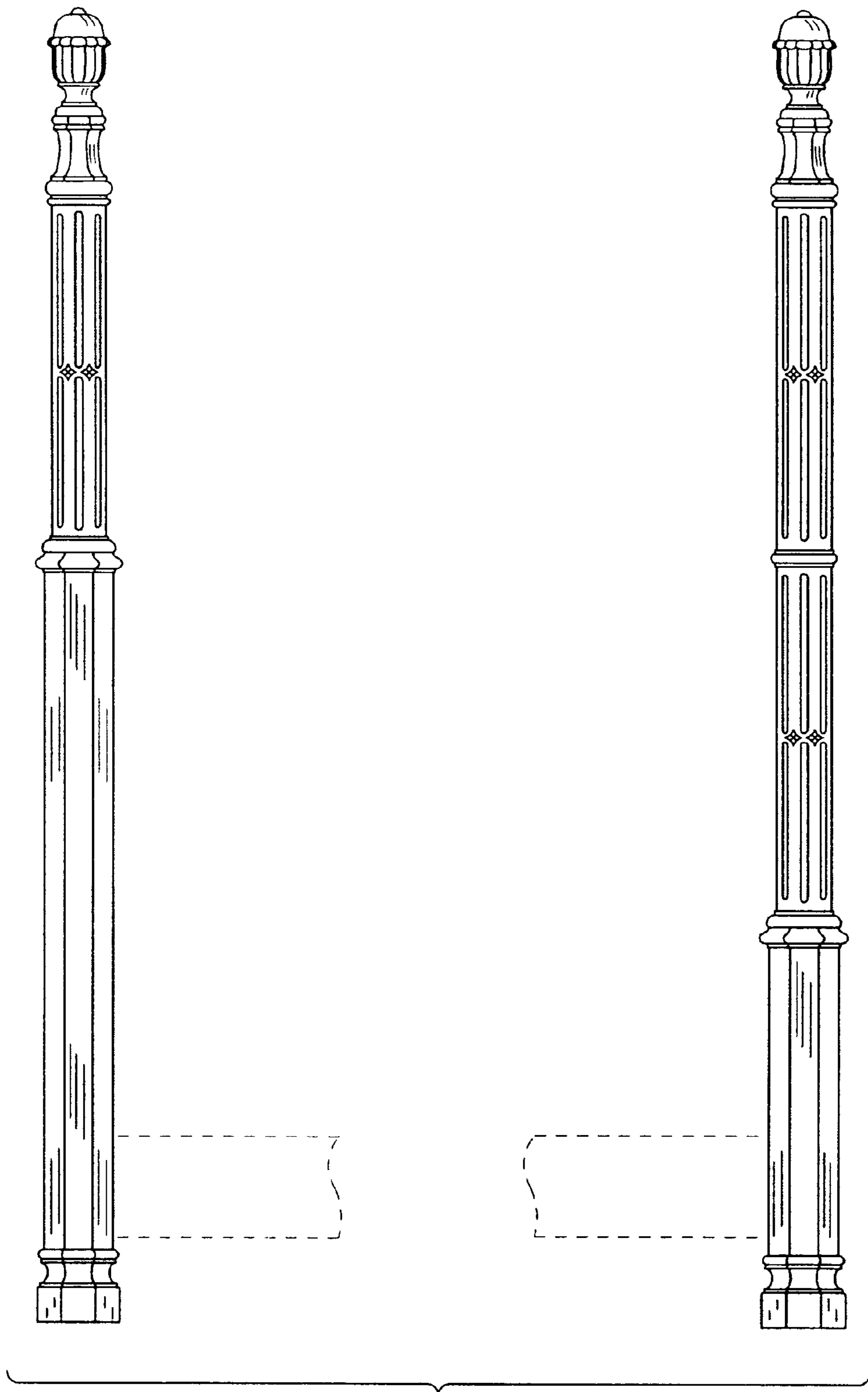


FIG. 2

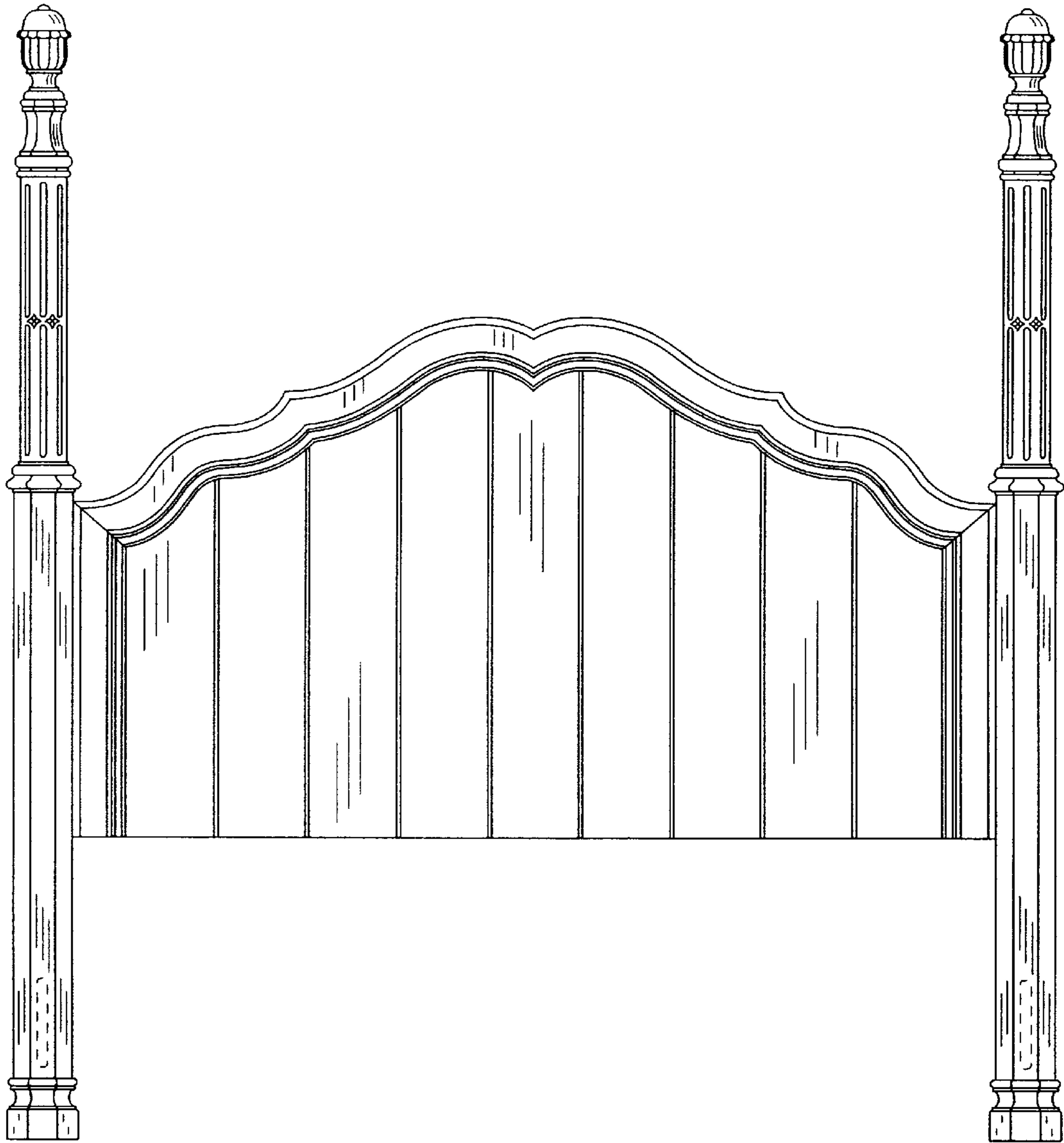


FIG. 3

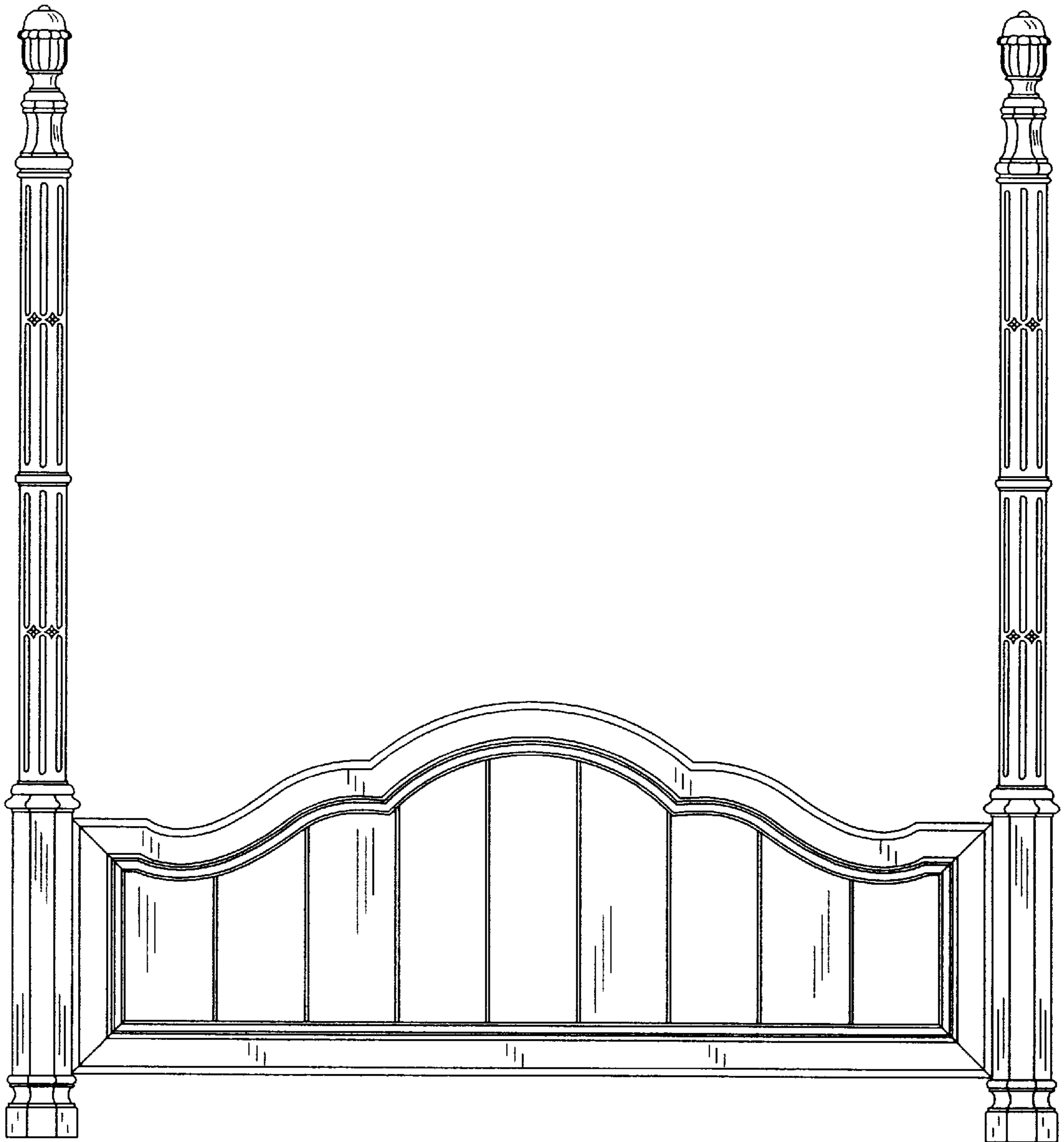


FIG. 4

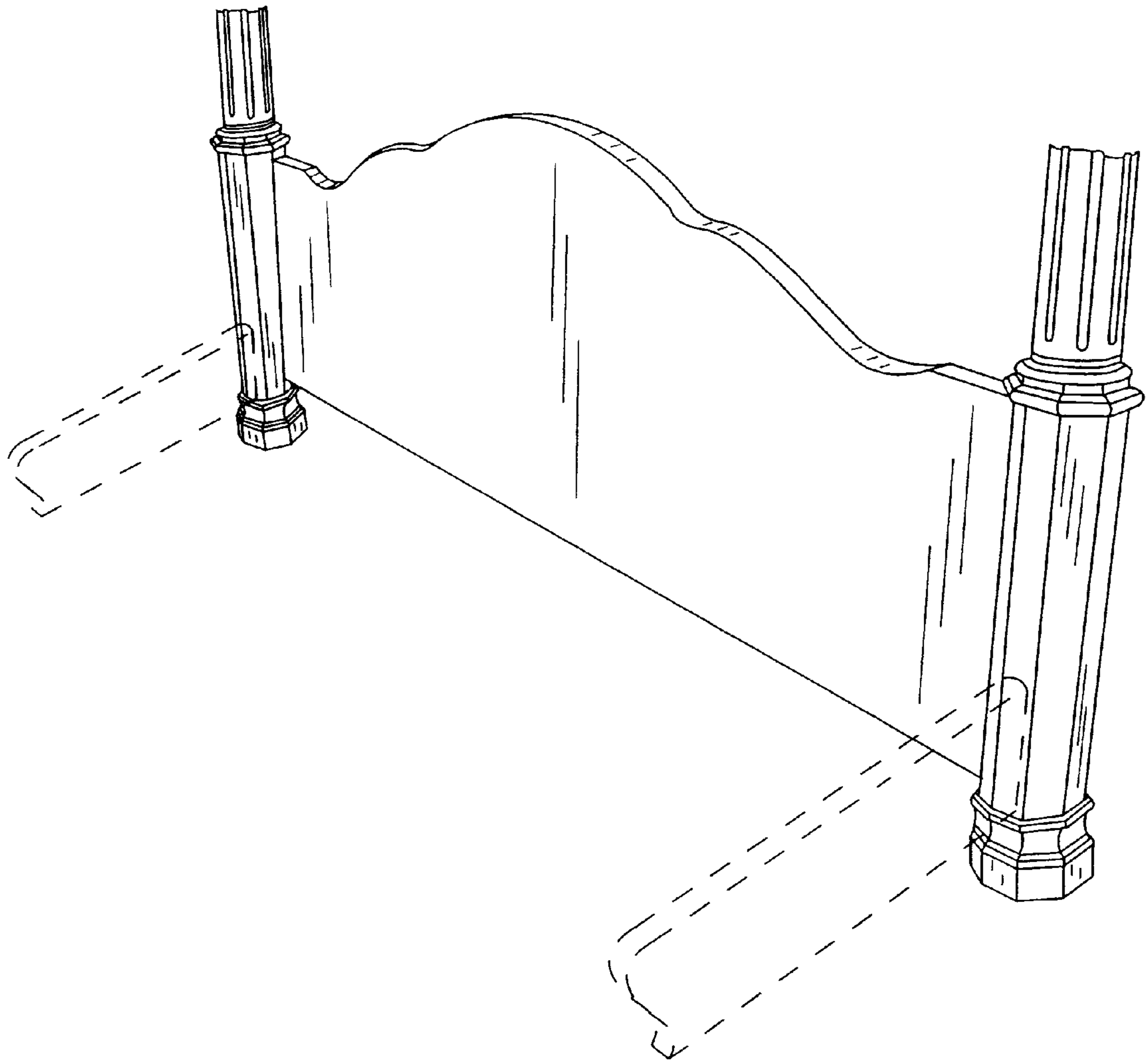


FIG. 5