



US00D455281S

(12) **United States Design Patent**  
**Andersen et al.**

(10) **Patent No.:** **US D455,281 S**

(45) **Date of Patent:** **\*\* Apr. 9, 2002**

(54) **SOFA**

(75) **Inventors:** **Per Weiss Andersen; Jesper Bo Elg,**  
both of Randers (DK)

(73) **Assignee:** **Innovation Randers A/S, Randers**  
(DK)

(\*\*) **Term:** **14 Years**

(21) **Appl. No.:** **29/144,412**

(22) **Filed:** **Jul. 3, 2001**

(30) **Foreign Application Priority Data**

Jan. 8, 2001 (DK) ..... MA 2001 00016

(51) **LOC (7) Cl.** ..... **06-01**

(52) **U.S. Cl.** ..... **D6/381; D6/335**

(58) **Field of Search** ..... D6/334, 335, 336,  
D6/371, 373, 381, 500, 501, 502; 5/12.1;  
297/232

(56) **References Cited**

**U.S. PATENT DOCUMENTS**

D169,911 S \* 6/1953 Netzer ..... D6/381  
D175,877 S \* 10/1955 Bartolucci ..... D6/381

2,891,255 A \* 6/1959 Simmons ..... 5/12.1  
D269,057 S \* 5/1983 Schatz et al. .... D6/335  
D281,839 S \* 12/1985 Hopfer ..... D6/335  
D443,989 S \* 6/2001 Gomez ..... D6/335

**OTHER PUBLICATIONS**

Illums Bolighus, sofa 28090 shown, May 1961.\*  
Abitare Identikit, pp. 6 & 7, sofa by Busnelli.\*

\* cited by examiner

*Primary Examiner*—Gary D. Watson

(74) *Attorney, Agent, or Firm*—Dykema Gossett PLLC

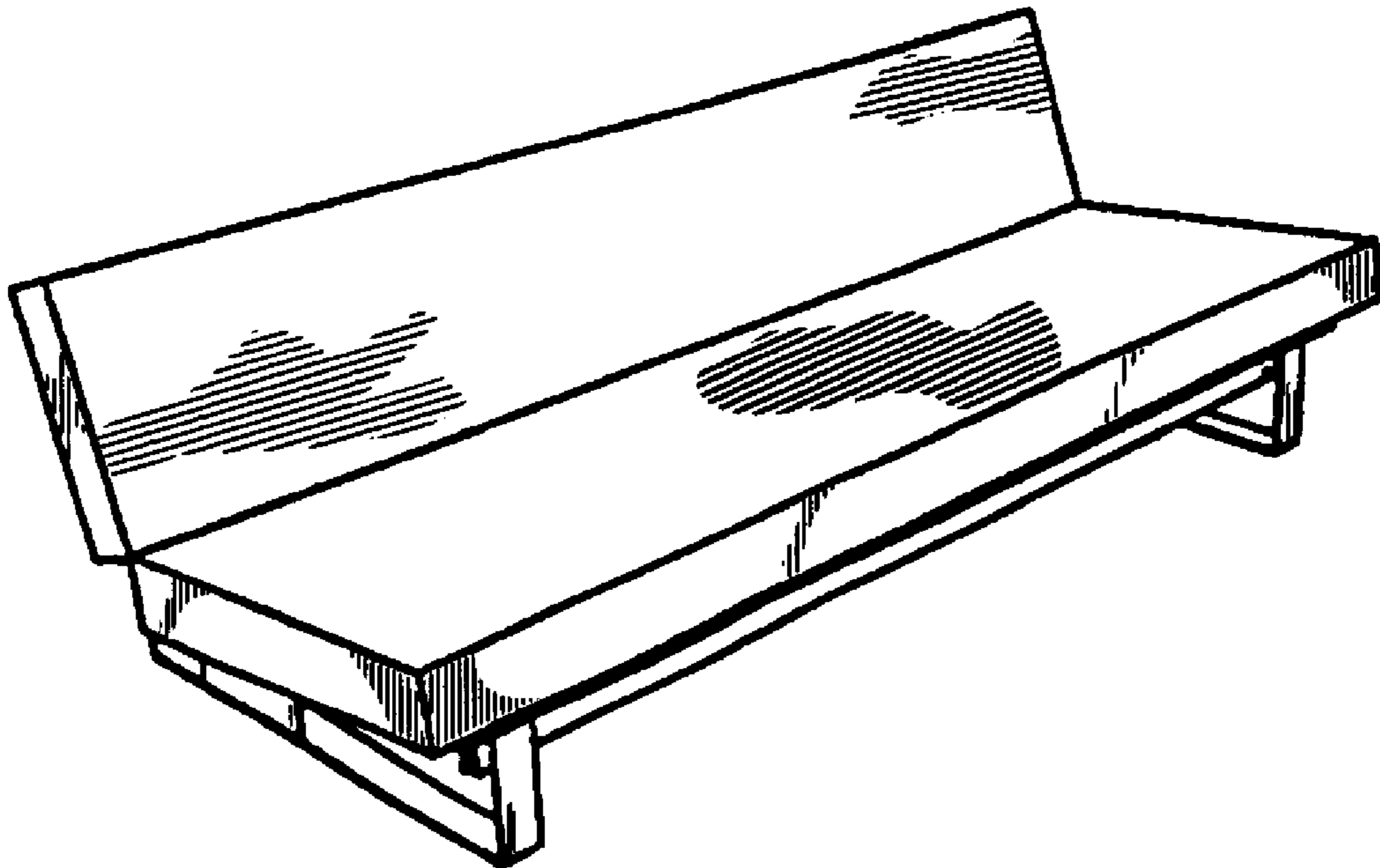
(57) **CLAIM**

The ornamental design for a sofa, as shown and described.

**DESCRIPTION**

FIG. 1 is a perspective view of a sofa according to our new and ornamental design,  
FIG. 2 is a front elevational view thereof,  
FIG. 3 is a rear elevational view thereof,  
FIG. 4 is a left end elevational view thereof,  
FIG. 5 is a right end elevational view thereof,  
FIG. 6 is a top plan view thereof; and,  
FIG. 7 is a bottom plan view thereof.

**1 Claim, 2 Drawing Sheets**



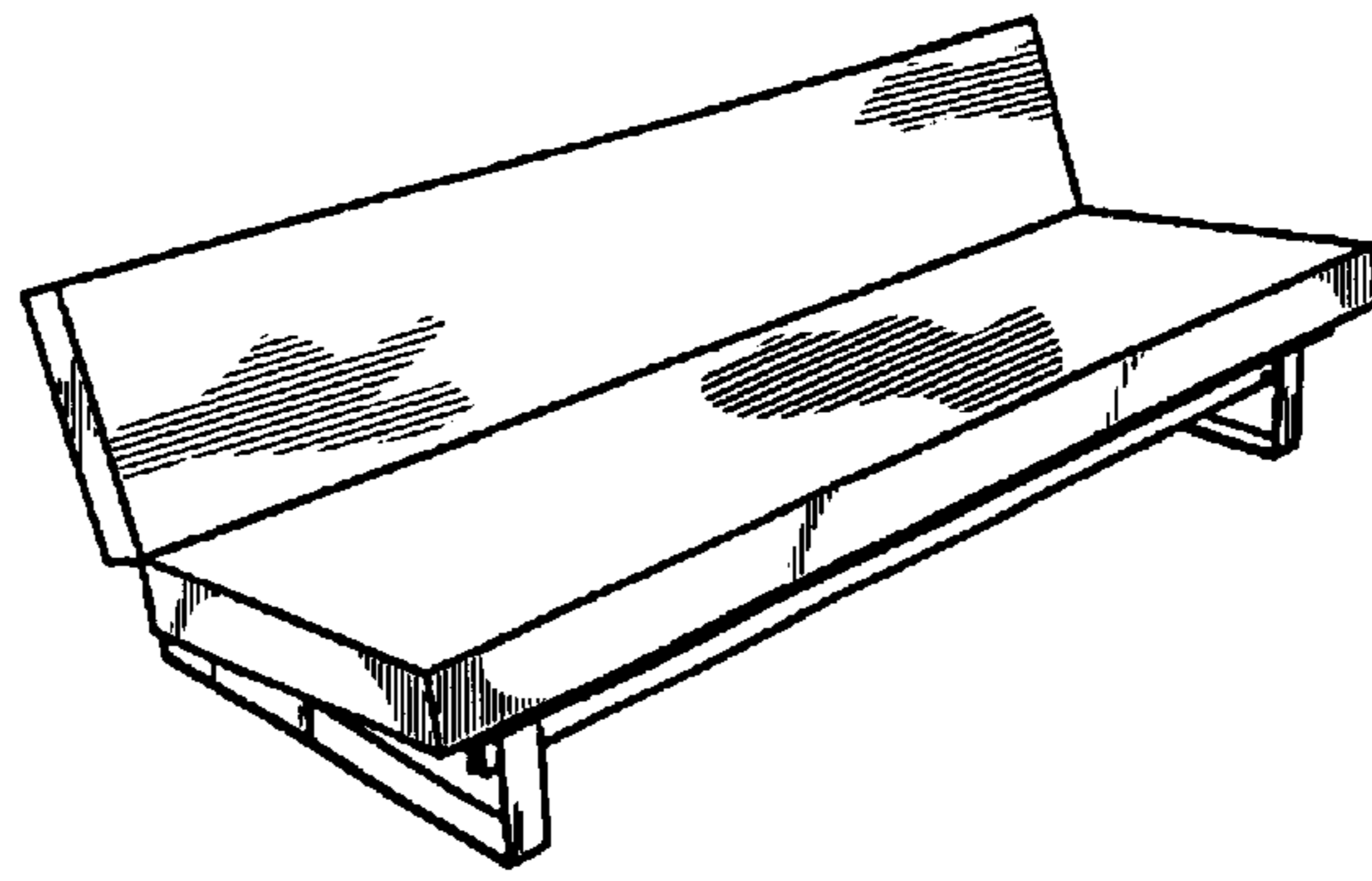


Fig.1

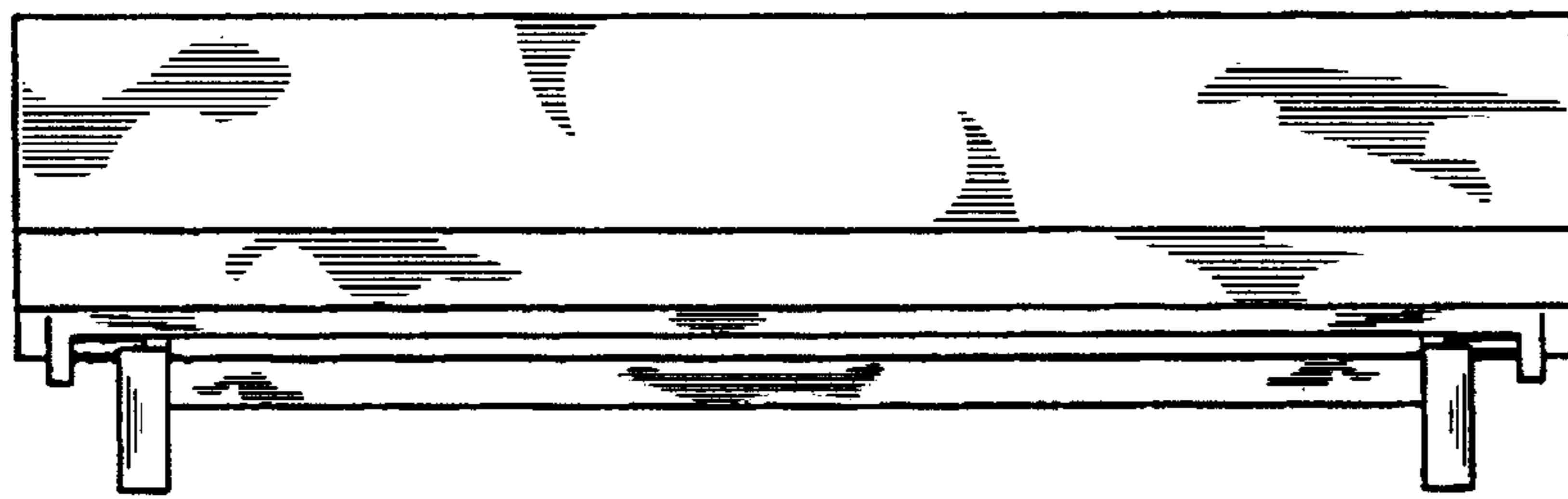


Fig.2

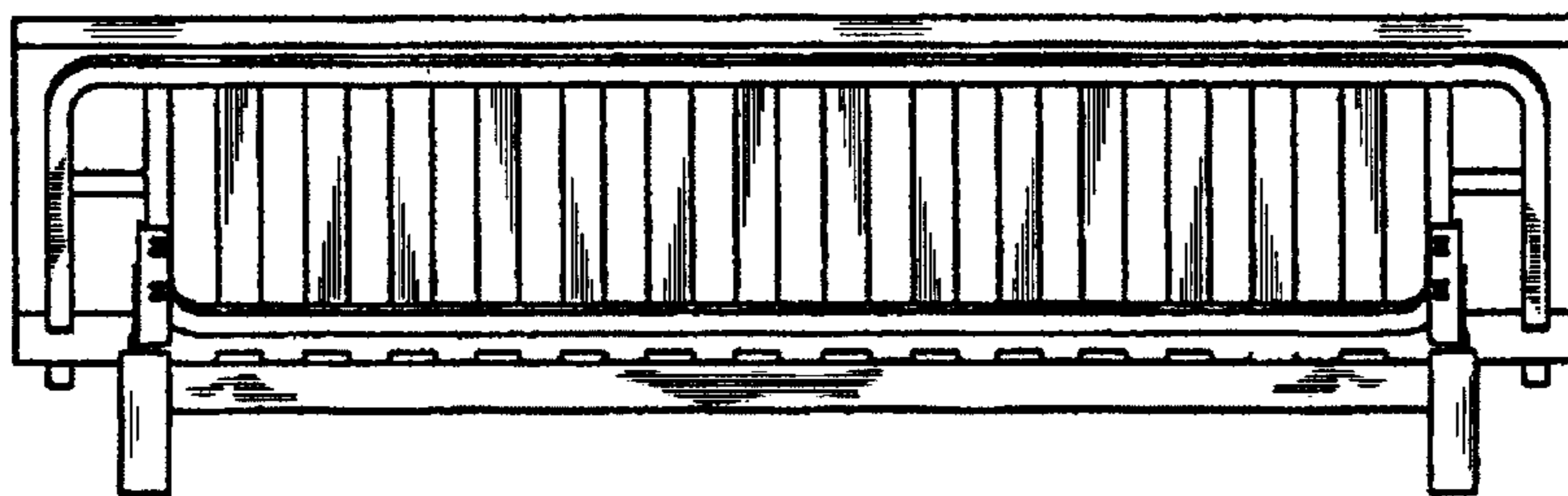


Fig.3

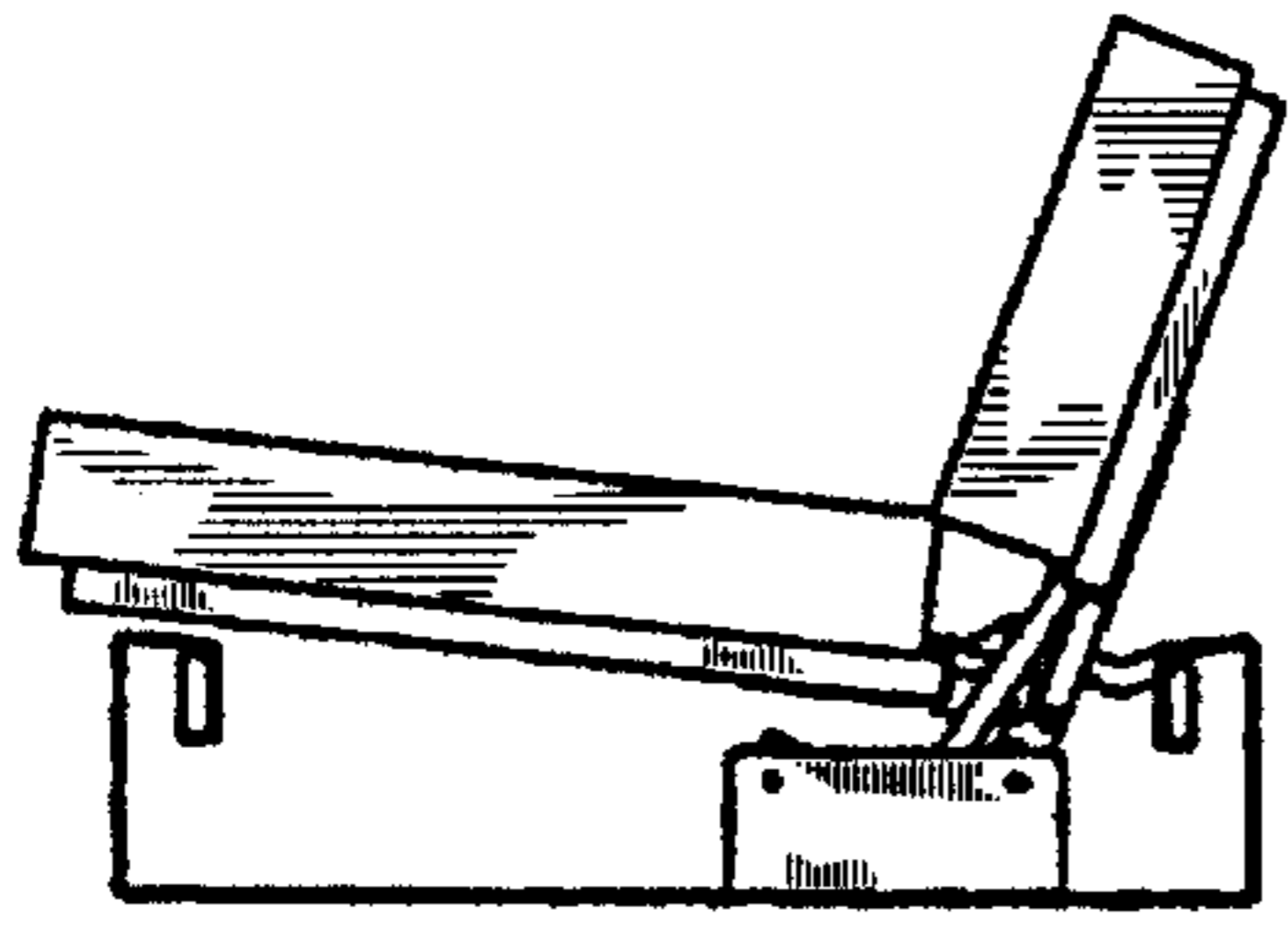


Fig.4

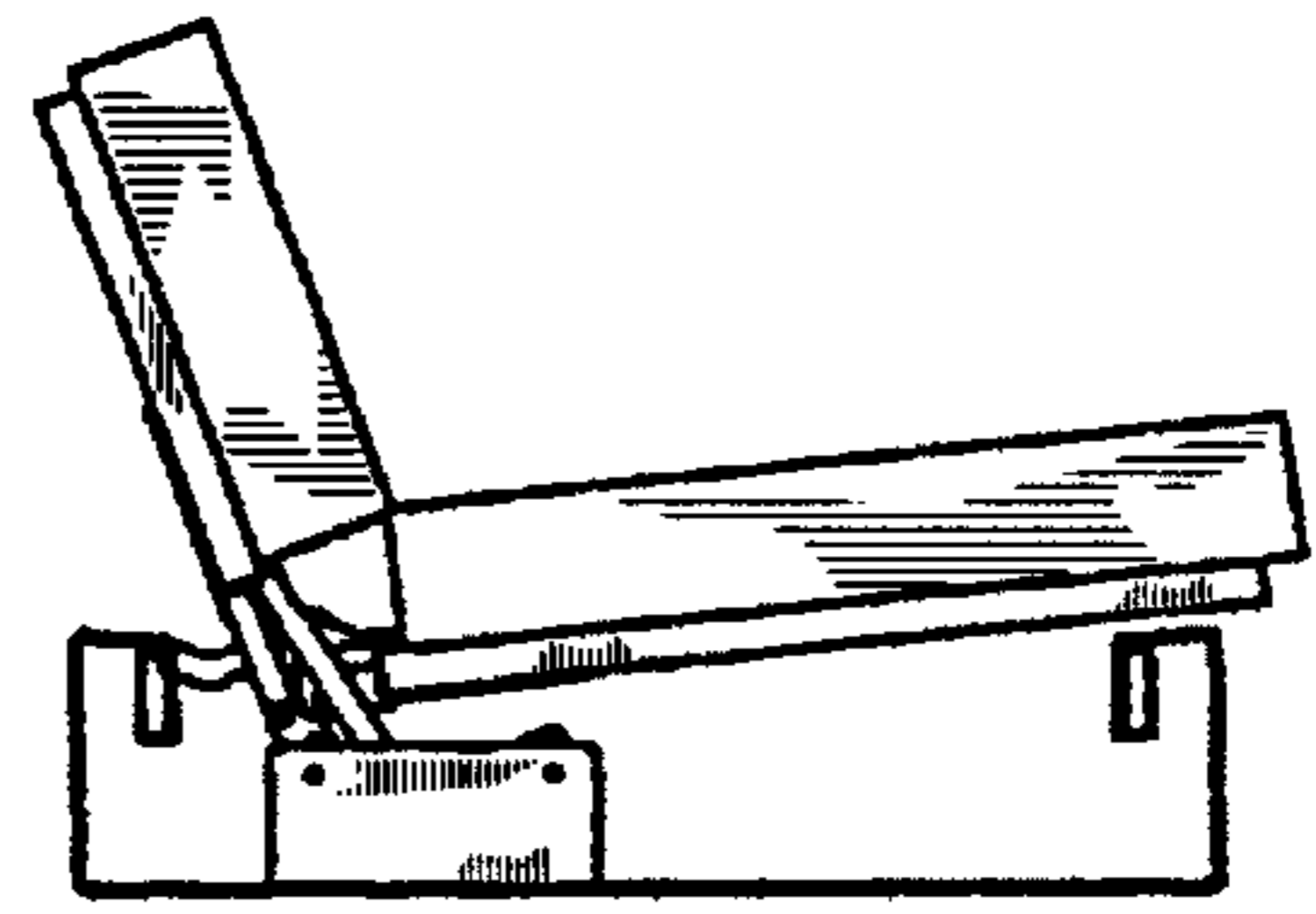


Fig.5

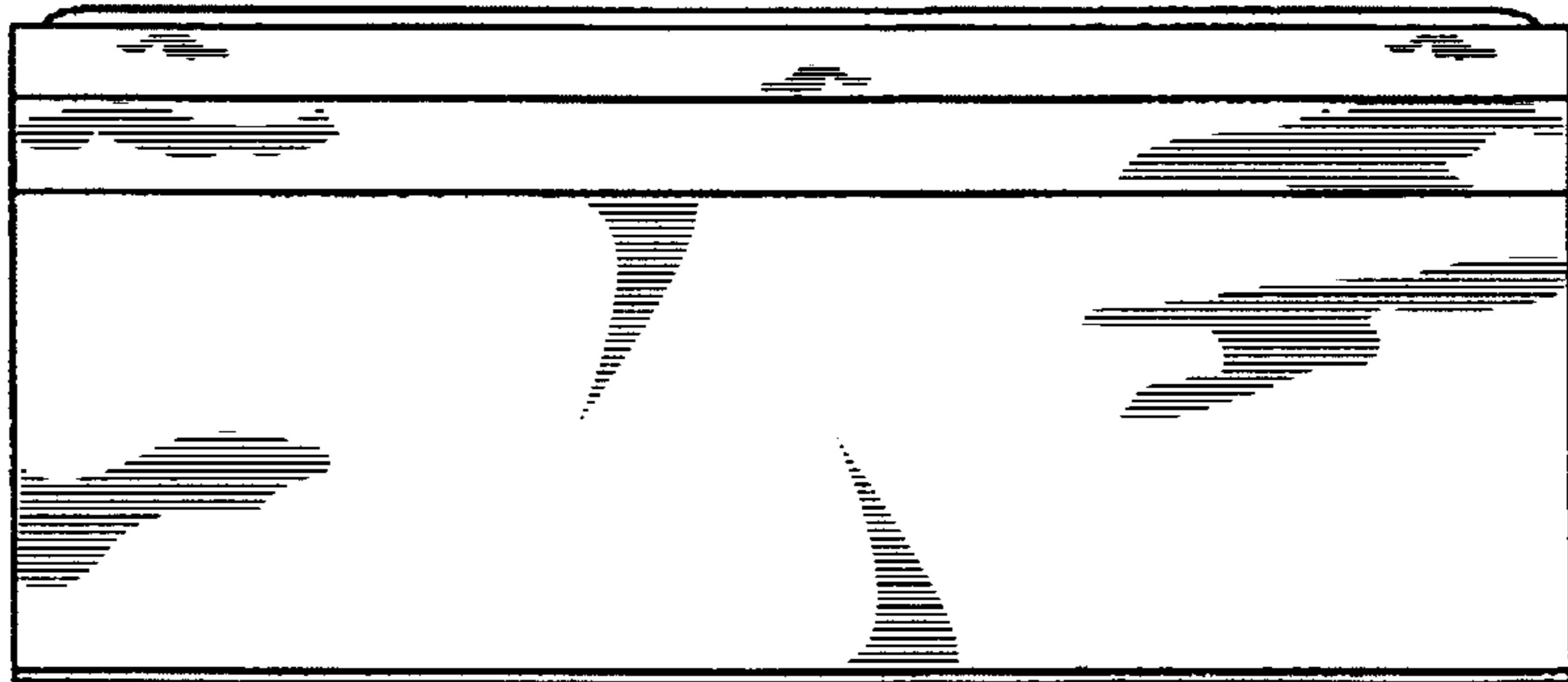


Fig.6

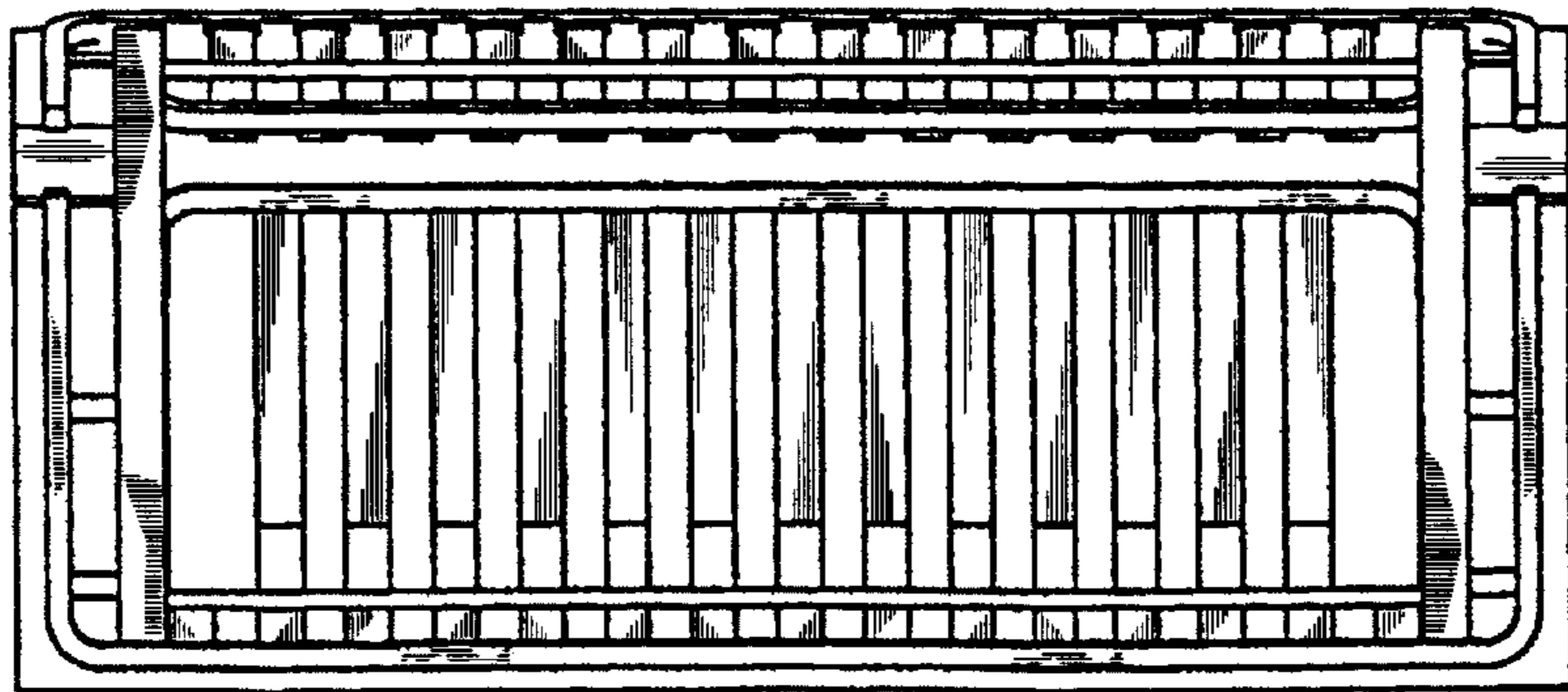


Fig.7