



US00D455278S

(12) **United States Design Patent**
Clements et al.

(10) **Patent No.:** **US D455,278 S**

(45) **Date of Patent:** **** Apr. 9, 2002**

(54) **COUCH**

(76) Inventors: **Graham Anthony Clements**, 263 Point View Drive, Howick, Auckland; **Bryce Terrence Parsons**, 121 Polo Prince Dr., Alfriston, Auckland, both of (NZ)

(**) Term: **14 Years**

(21) Appl. No.: **29/123,508**

(22) Filed: **May 18, 2000**

(30) **Foreign Application Priority Data**

Nov. 18, 1999 (NZ) 400188

(51) **LOC (7) Cl.** **06-01**

(52) **U.S. Cl.** **D6/358**

(58) **Field of Search** D6/334, 335, 336, D6/358, 381, 500, 501, 502; 297/181, 232; D9/500, 503, 516, 518; 220/269; D7/636

(56) **References Cited**

U.S. PATENT DOCUMENTS

D361,215 S * 8/1995 Honeycutt, Sr. D6/381

D366,602 S * 1/1996 Penn et al. D9/518

5,647,499 A * 7/1997 Piazza 220/269

5,782,373 A * 7/1998 Bianchi 220/269

* cited by examiner

Primary Examiner—Doris V. Coles

Assistant Examiner—Mimosa De

(74) *Attorney, Agent, or Firm*—Orum & Roth

(57) **CLAIM**

We claim the ornamental design for a couch, as shown and described.

DESCRIPTION

FIG. 1 is a perspective view of the invention;

FIG. 2 is a perspective view of the invention;

FIG. 3 is an end view of the invention;

FIG. 4 is an end view of the invention; and,

FIG. 5 is a front elevational view of the invention.

1 Claim, 2 Drawing Sheets

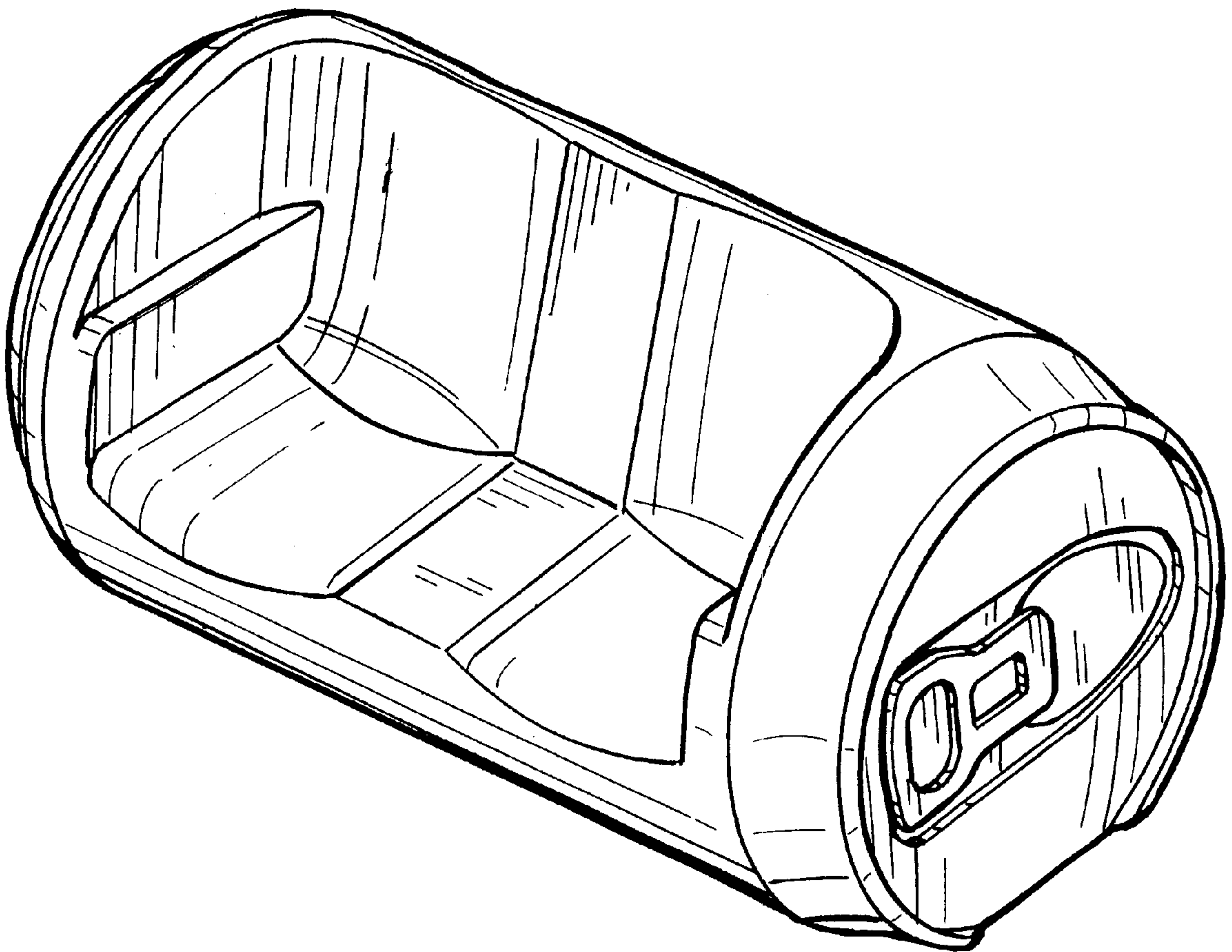


FIG. 1

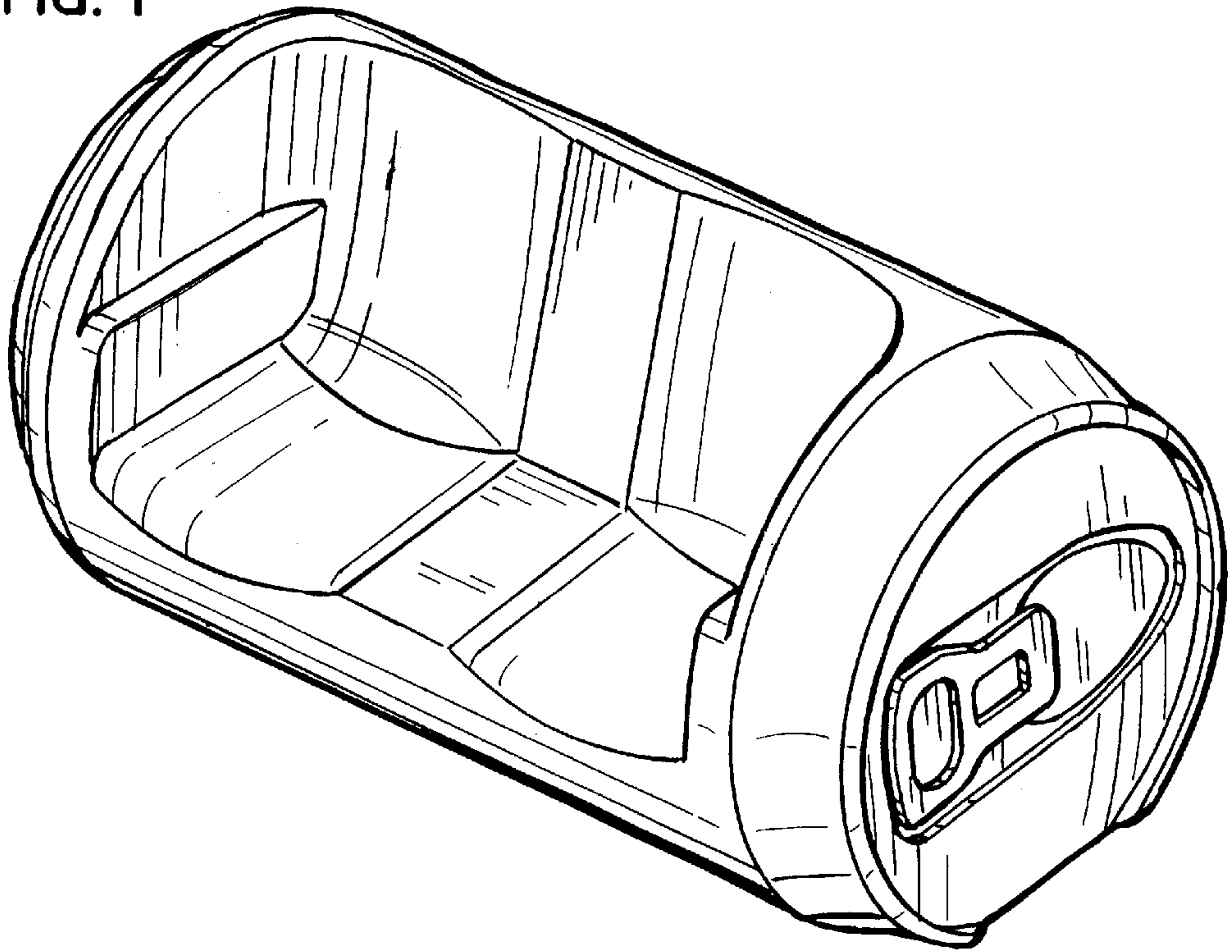


FIG. 2

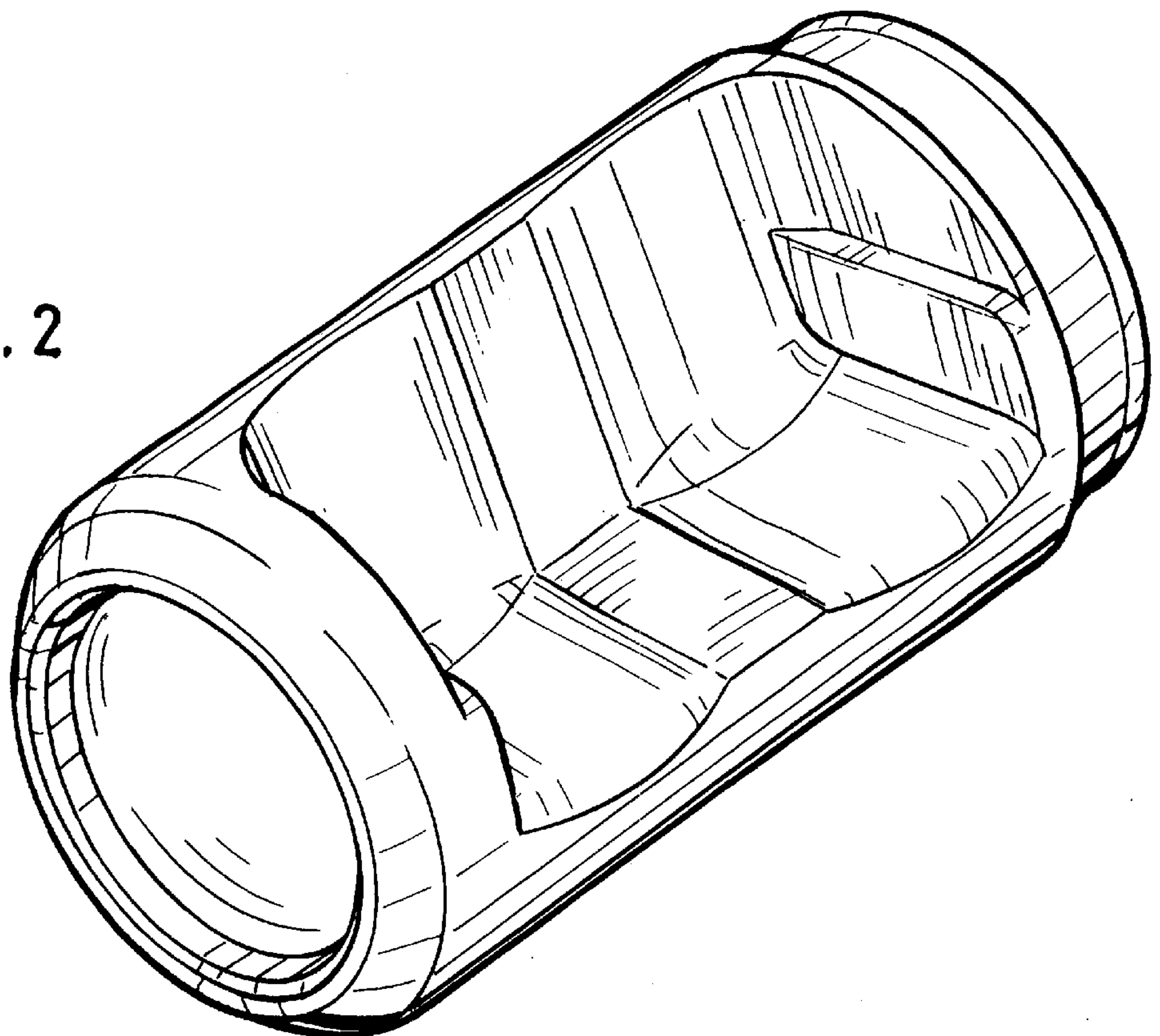


FIG. 3

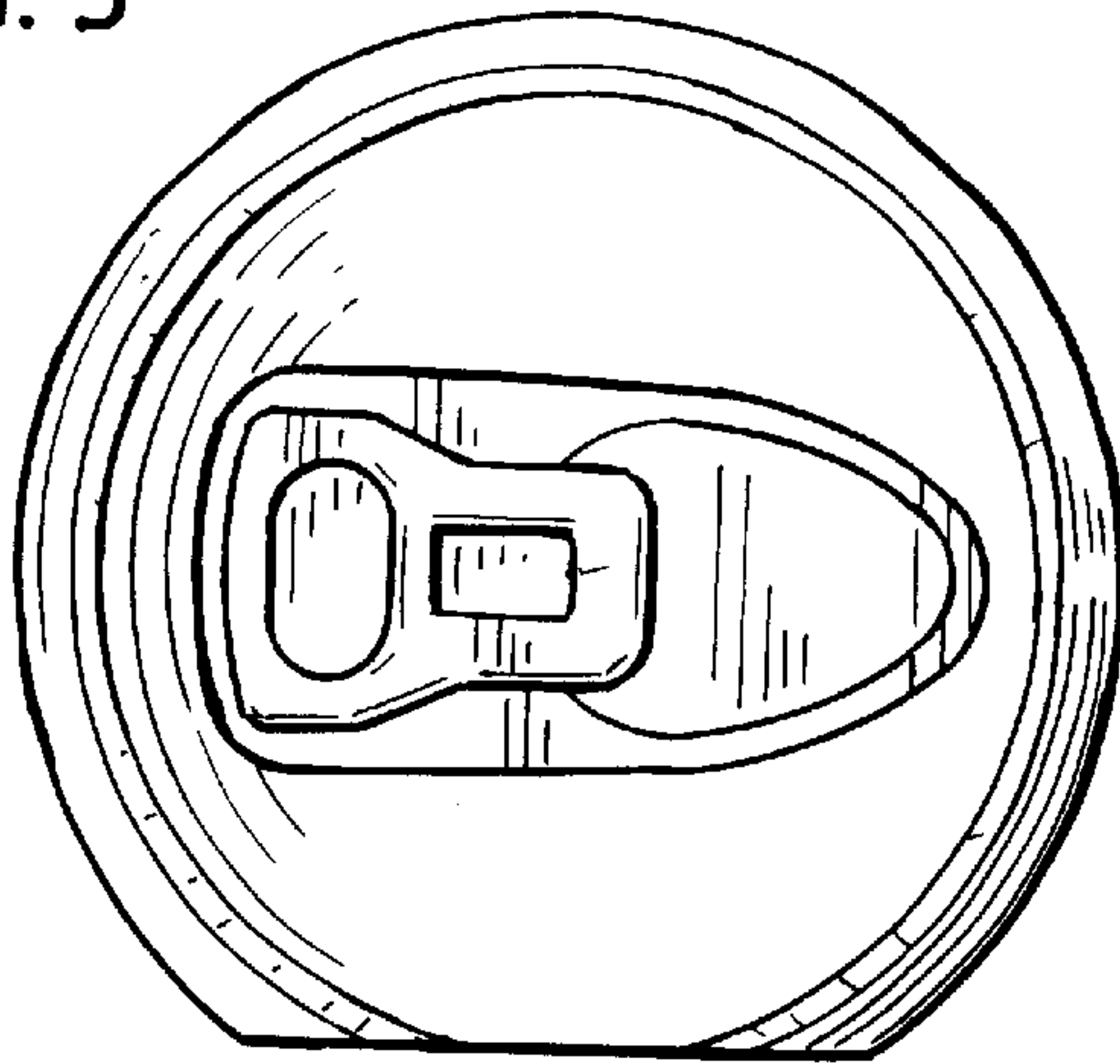


FIG. 4

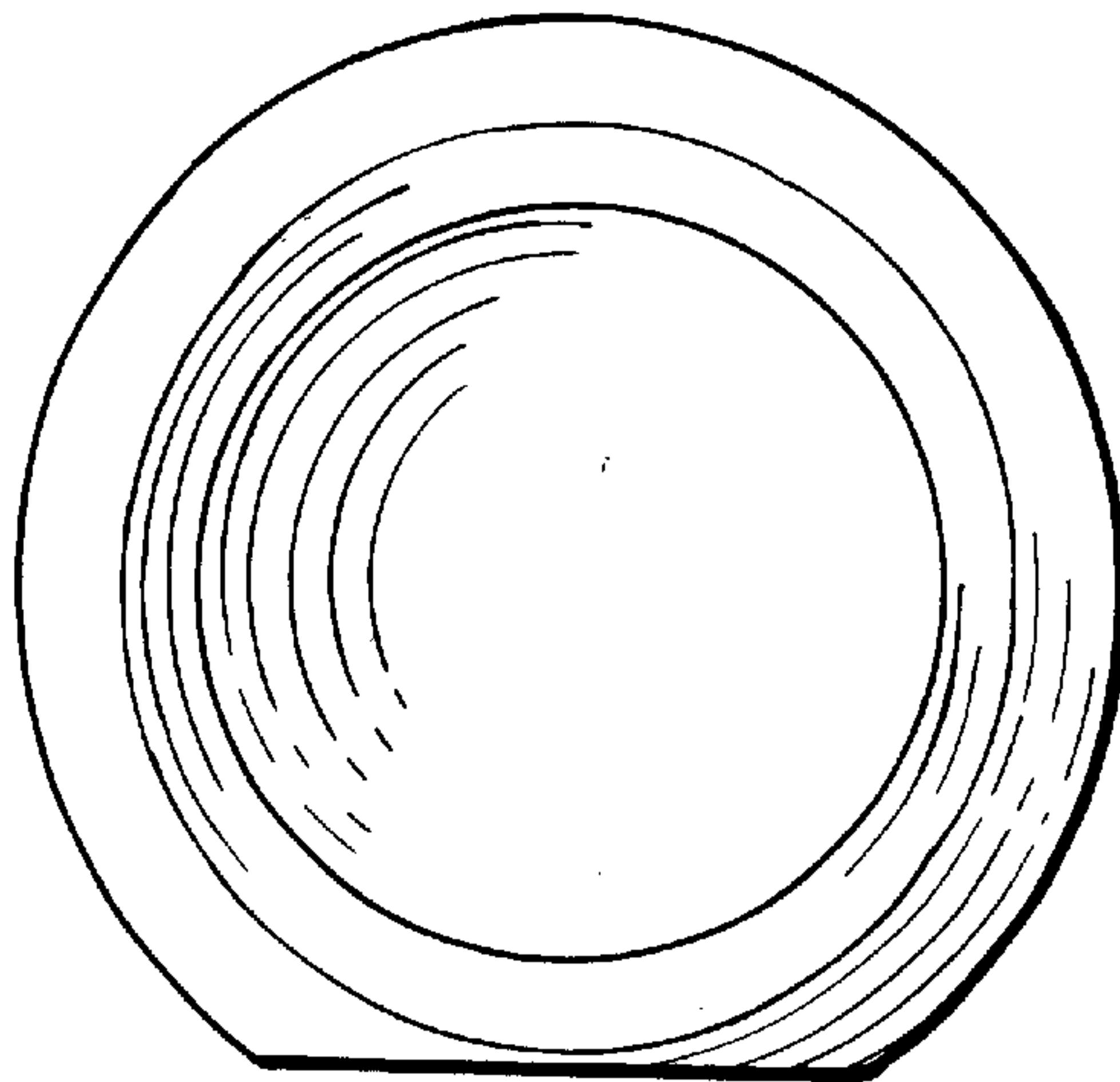


FIG. 5

