



US00D455277S

(12) **United States Design Patent**
Hutton

(10) **Patent No.:** **US D455,277 S**

(45) **Date of Patent:** **** Apr. 9, 2002**

(54) **OTTOMAN**

(75) Inventor: **John Hutton**, West Islip, NY (US)

(73) Assignee: **Sutherland**, Dallas, TX (US)

(**) Term: **14 Years**

(21) Appl. No.: **29/132,901**

(22) Filed: **Nov. 17, 2000**

(51) **LOC (7) Cl.** **06-01**

(52) **U.S. Cl.** **D6/349; D6/484**

(58) **Field of Search** **D6/349-353, 370,**
D6/359, 480, 484; 297/461, 462, 195.11,
423.1, 423.11, 423.39, 423.41, 423.42,
423.43

(56) **References Cited**

U.S. PATENT DOCUMENTS

D312,736 S * 12/1990 Grosfillex D6/349
D358,283 S * 5/1995 Kelly D6/484
D414,354 S * 9/1999 Gower D6/484

* cited by examiner

Primary Examiner—Janice E. Seeger

(74) *Attorney, Agent, or Firm*—Gardere Wynne Sewell LLP

(57) **CLAIM**

The ornamental design for an ottoman, as shown and described.

DESCRIPTION

FIG. 1 is a perspective view of the ottoman of my invention; FIG. 2 is a front elevation view of the ottoman shown in FIG. 1;

FIG. 3 is a rear elevation view of the ottoman shown in FIG. 1;

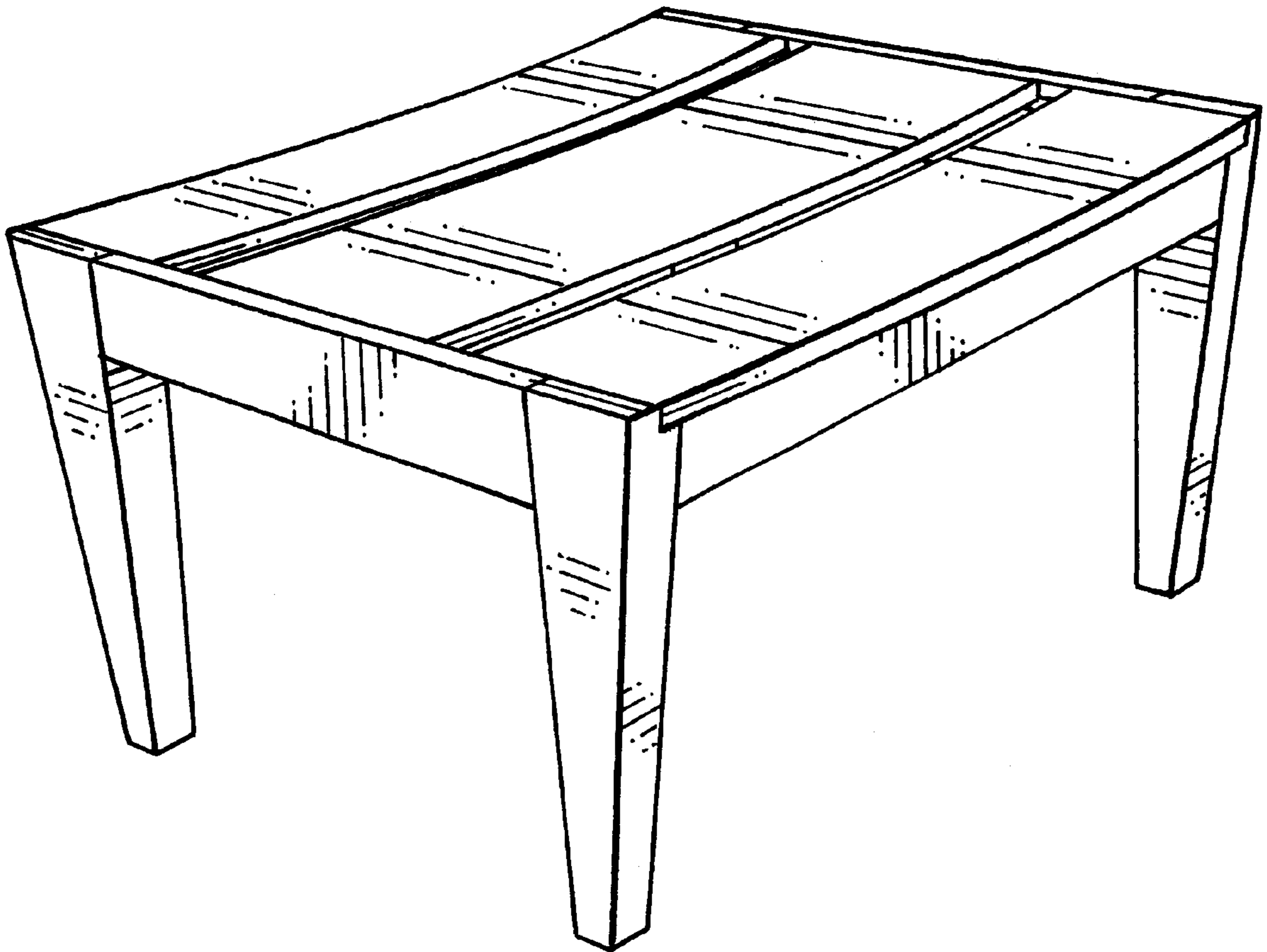
FIG. 4 is a left side elevation view of the ottoman shown in FIG. 1;

FIG. 5 is a right side elevation view of the ottoman shown in FIG. 1;

FIG. 6 is a top plan view of the ottoman shown in FIG. 1; and,

FIG. 7 is a bottom plan view of the ottoman shown in FIG. 1.

1 Claim, 4 Drawing Sheets



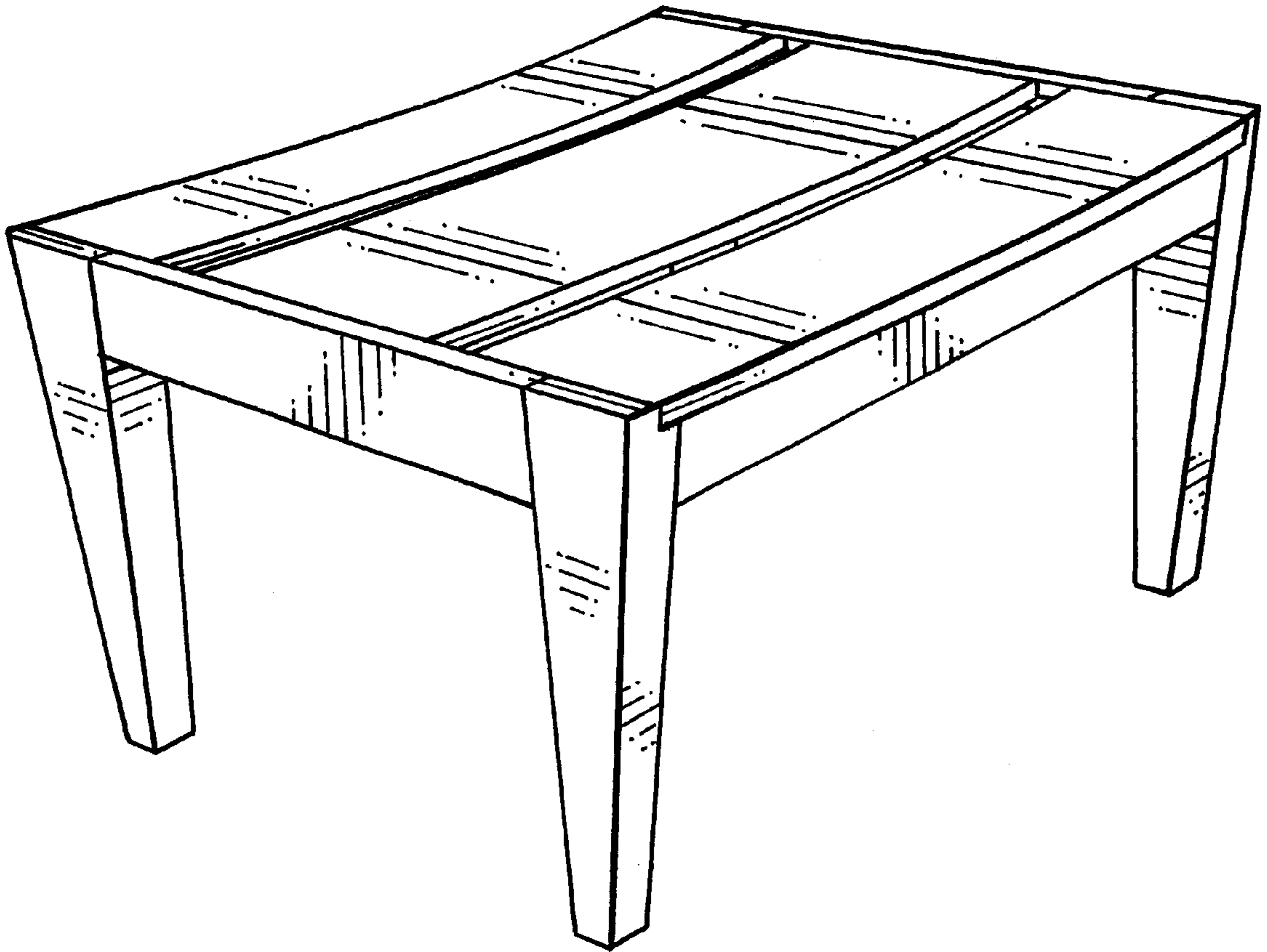


FIG. 1

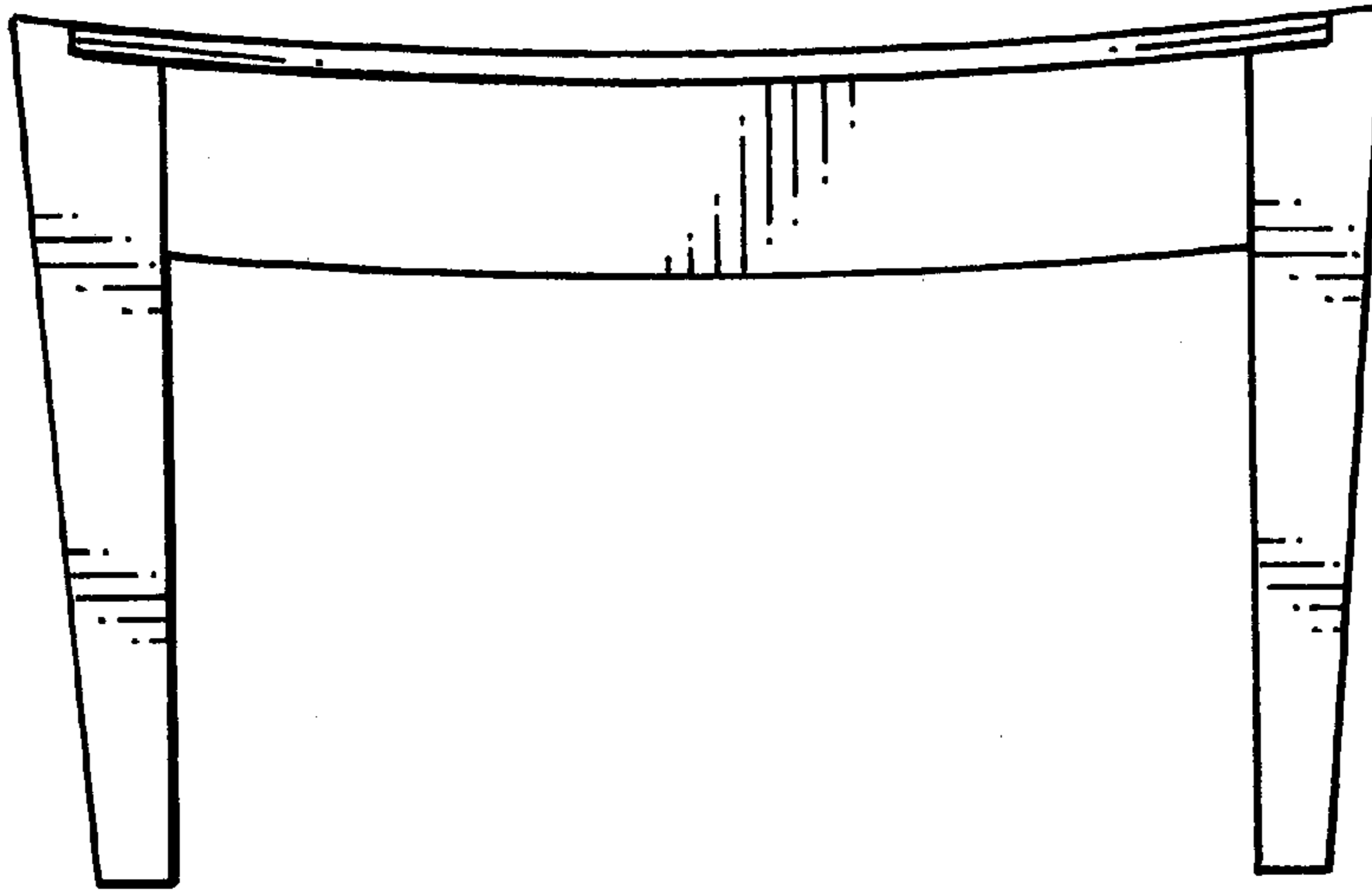


FIG. 2

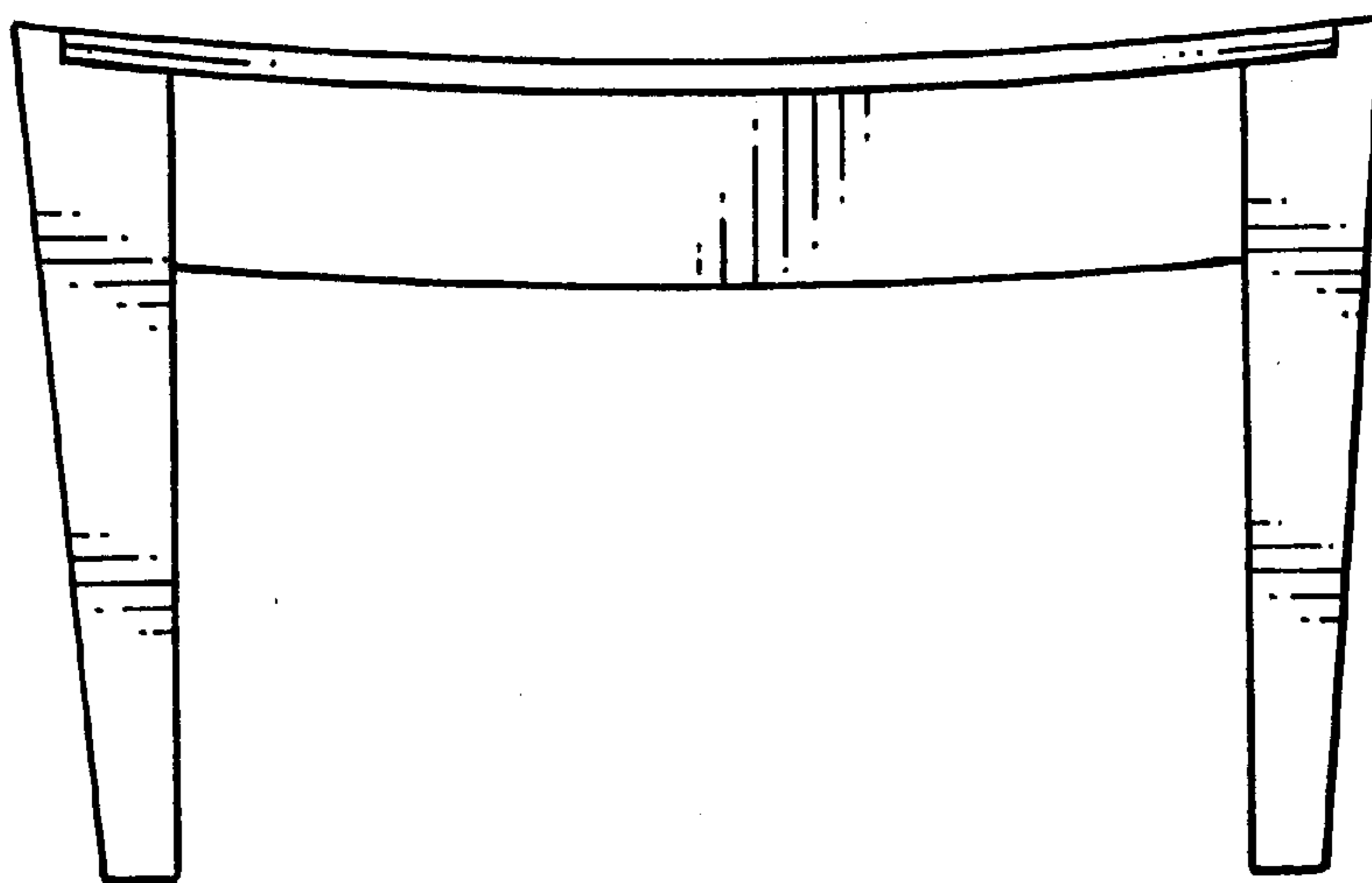


FIG. 3

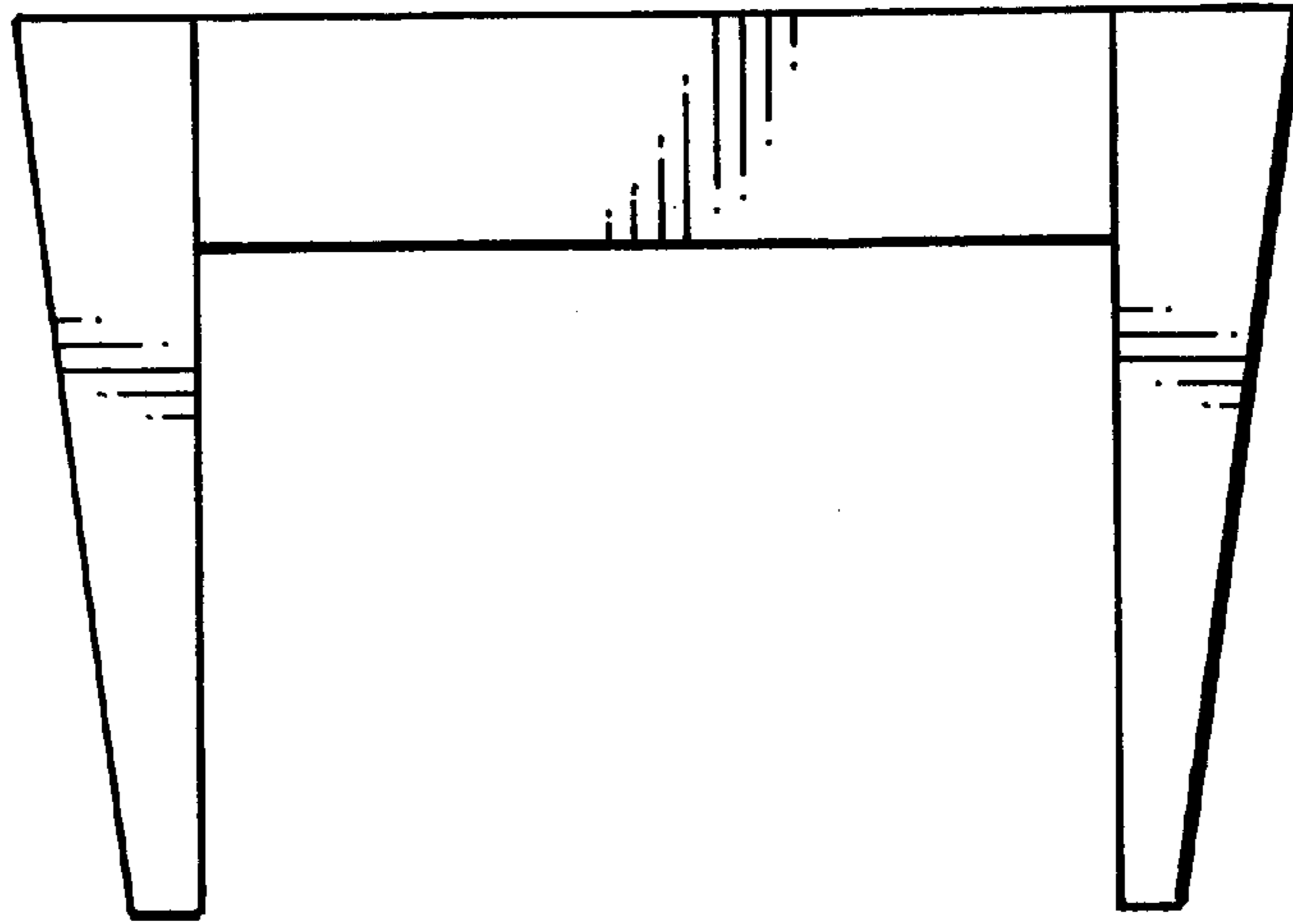


FIG. 4

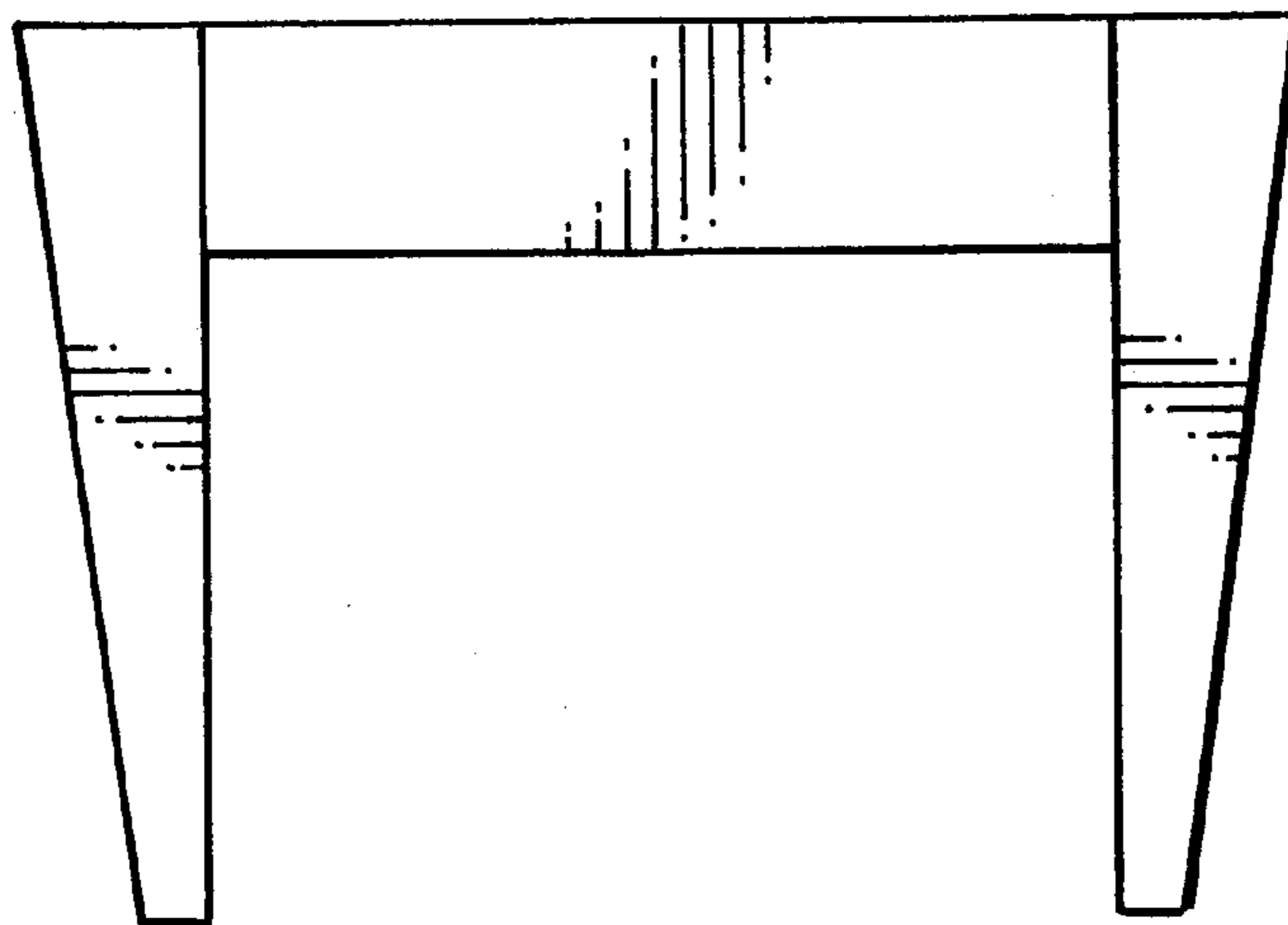


FIG. 5

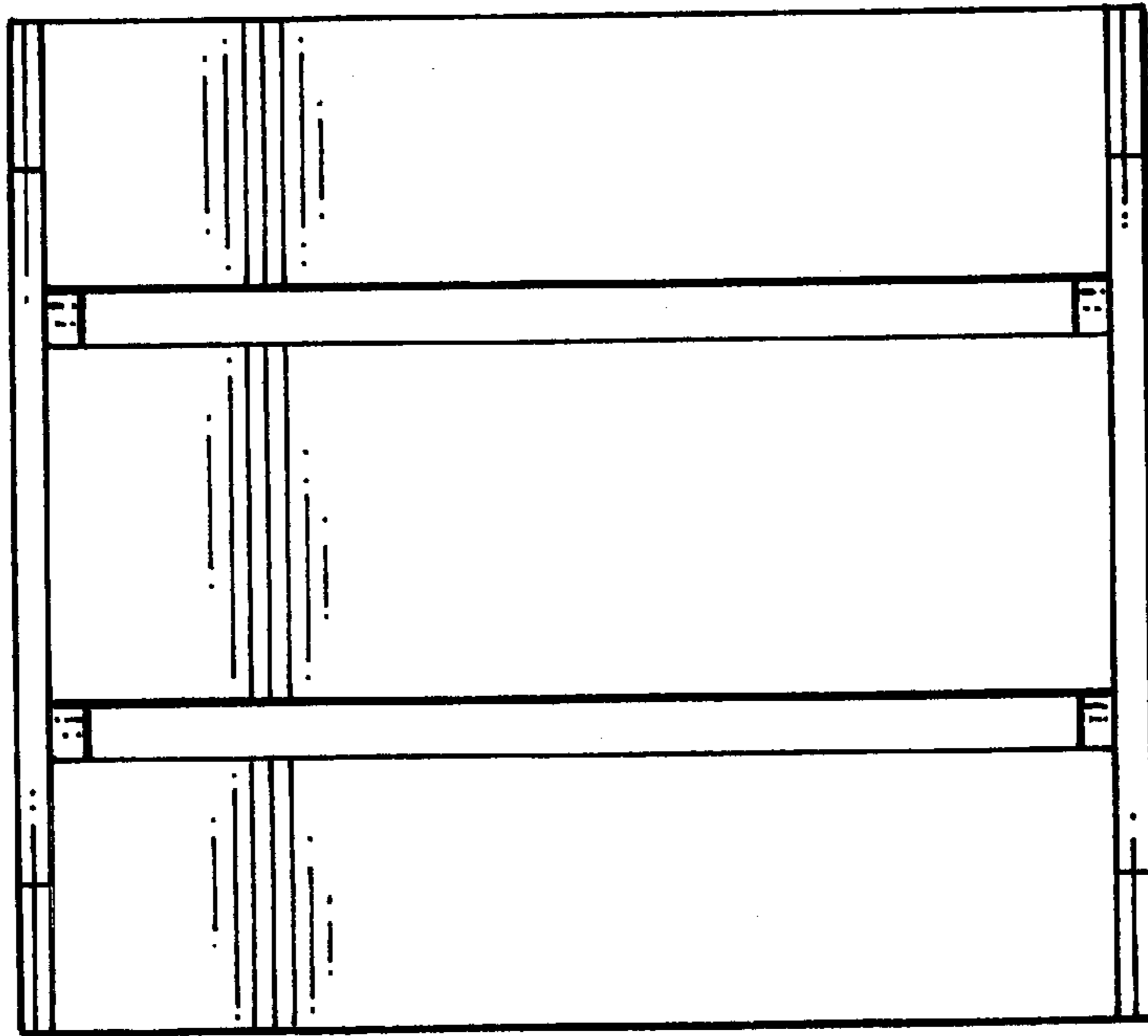


FIG. 6

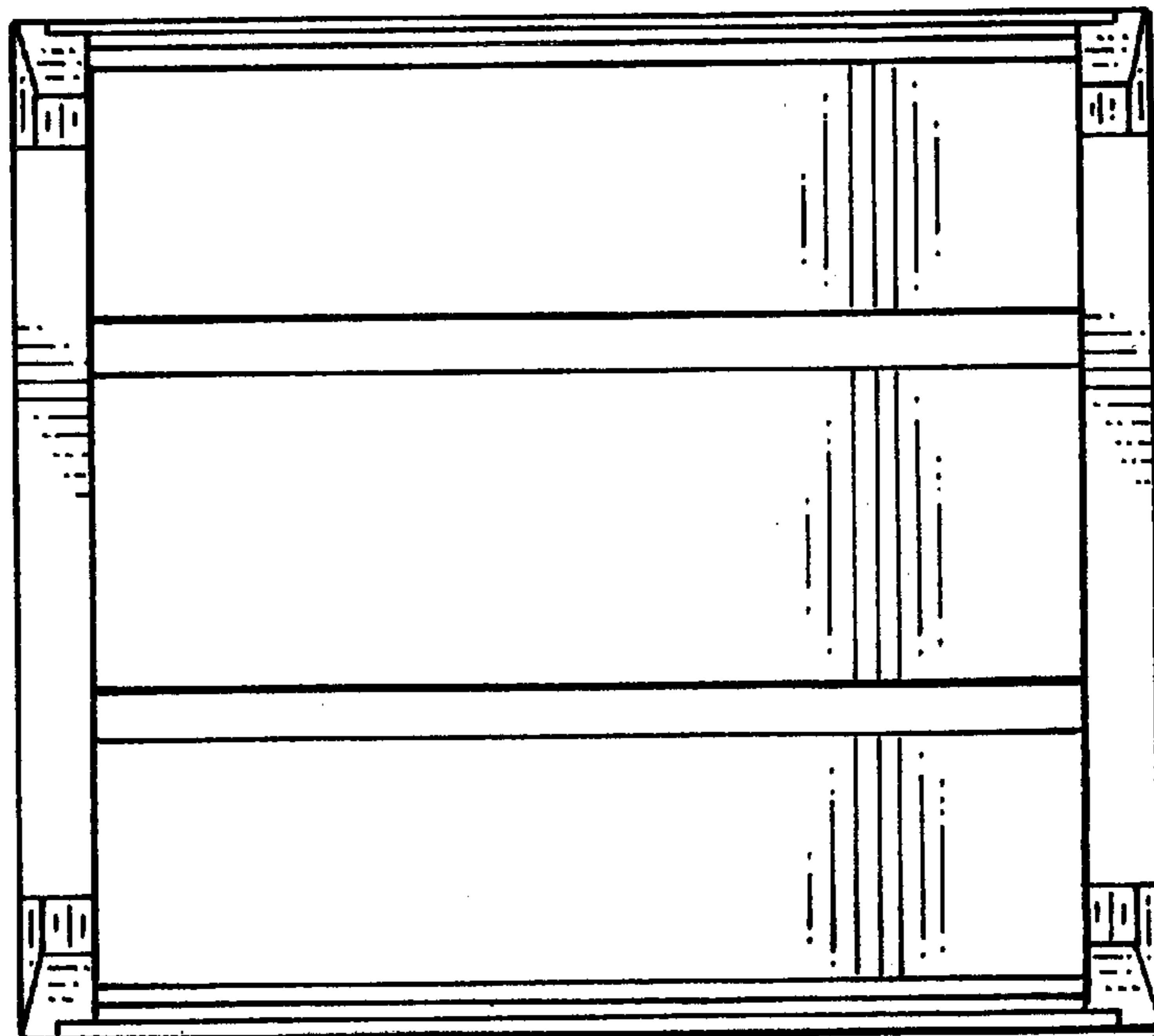


FIG. 7