



US00D455269S

(12) **United States Design Patent**
Chen

(10) **Patent No.:** **US D455,269 S**

(45) **Date of Patent:** **** Apr. 9, 2002**

(54) **PROTECTIVE CORNER STRIP FOR A SUITCASE**

D376,045 S * 12/1996 Bernstein et al. D3/287
6,035,982 A * 3/2000 Wei-Chih 190/37
D442,784 S * 5/2001 Chen D3/322

(75) Inventor: **Wei-Chih Chen**, Taichung Hsien (TW)

* cited by examiner

(73) Assignee: **Yung Ta Hardware & Plastic Co.,Ltd.**, Taichung Hsien (TW)

Primary Examiner—Louis S. Zarfaz
Assistant Examiner—Robert A. Delehanty
(74) *Attorney, Agent, or Firm*—Harrison & Egbert

(**) Term: **14 Years**

(21) Appl. No.: **29/137,932**

(22) Filed: **Feb. 26, 2001**

(51) **LOC (7) Cl.** **03-99**

(52) **U.S. Cl.** **D3/322**

(58) **Field of Search** D3/318, 321–322,
D3/232–233, 254, 256, 226, 272, 274, 276,
278–279, 283, 285–286, 289–293; 190/37,
100, 124, 126–127; 150/128, 130; 383/107–108,
119

(56) **References Cited**

U.S. PATENT DOCUMENTS

1,601,361 A * 9/1926 Hickingbotham D3/318 X
2,263,467 A * 11/1941 Medoff 190/126 X
D242,183 S * 11/1976 Davis D3/321
4,163,484 A * 8/1979 Delaney 190/37 X
4,383,142 A * 5/1983 Kaneko 190/126
D279,428 S * 7/1985 Thomas D3/274
4,561,525 A * 12/1985 Shidner 190/124 X
4,932,506 A * 6/1990 Kim 190/126 X

(57) **CLAIM**

I claim the ornamental design for a protective corner strip for a suitcase, as shown and described.

DESCRIPTION

FIG. 1 is an upper perspective view of the protective corner strip for a suitcase showing my design.

FIG. 2 is a front view thereof;

FIG. 3 is a back view thereof;

FIG. 4 is a side view thereof;

FIG. 5 is an opposite side view thereof;

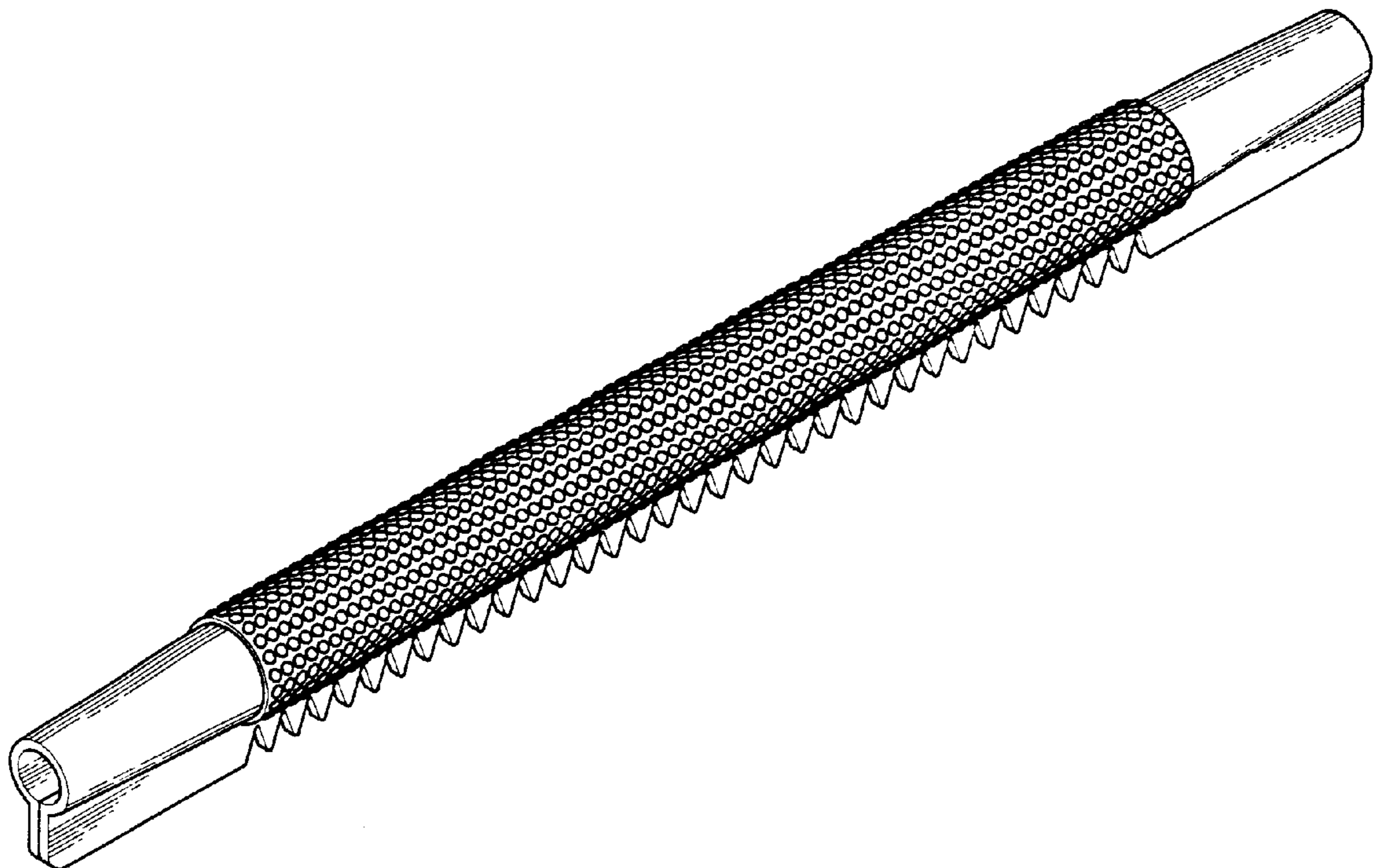
FIG. 6 is a top view thereof;

FIG. 7 is a bottom view thereof; and,

FIG. 8 is a top front perspective view of a protective corner strip for a suitcase shown in condition of use on a suitcase with like protective corner strips.

The broken line showing of a partial suitcase and like protective corner strips is illustrative purpose only and forms no part of the claimed design.

1 Claim, 5 Drawing Sheets



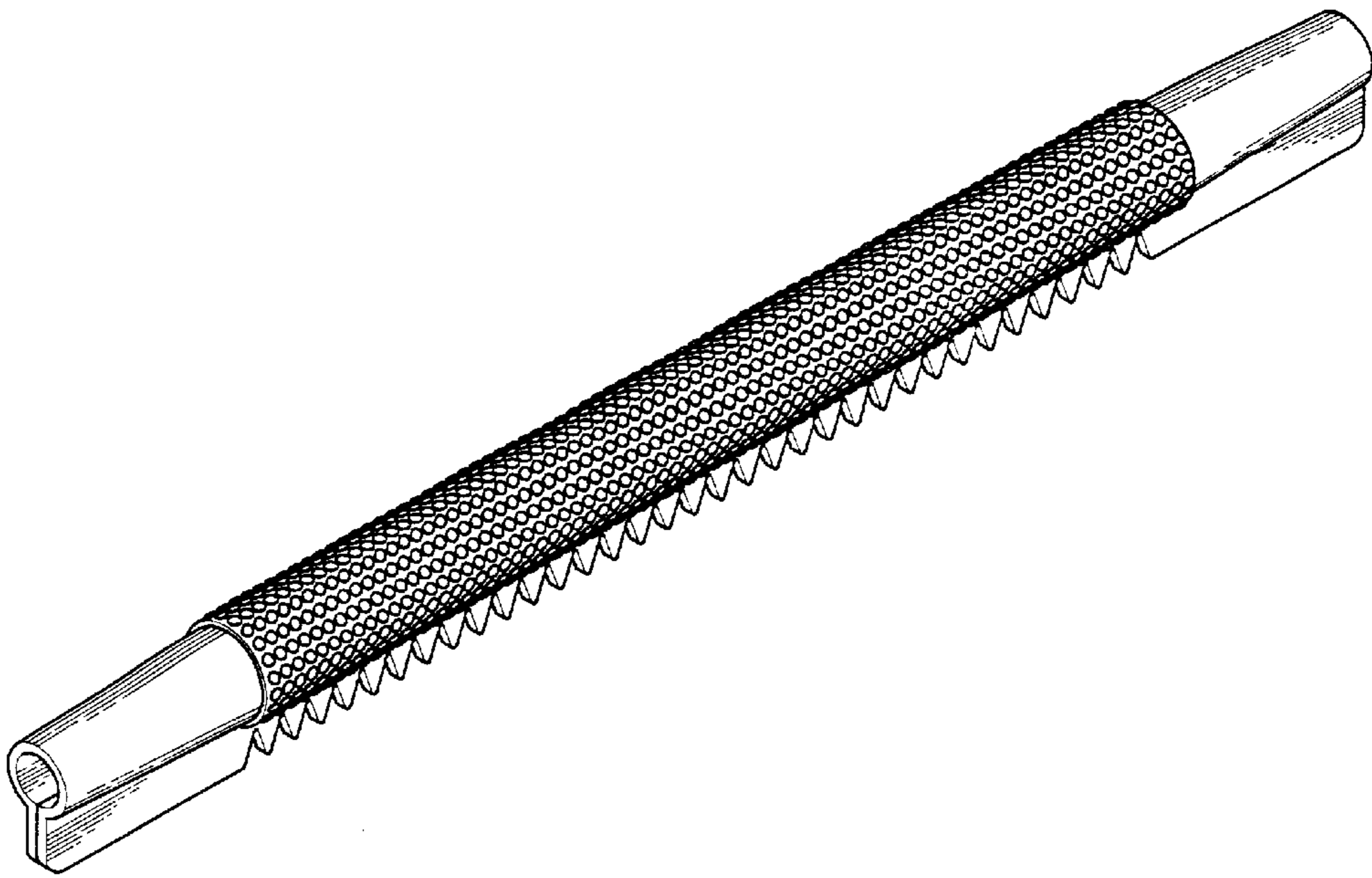


FIG.1

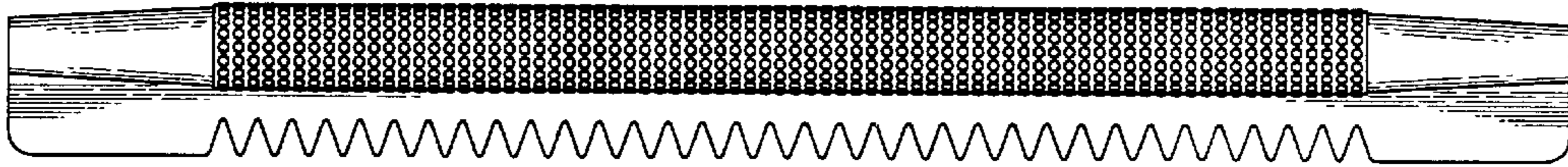


FIG. 2

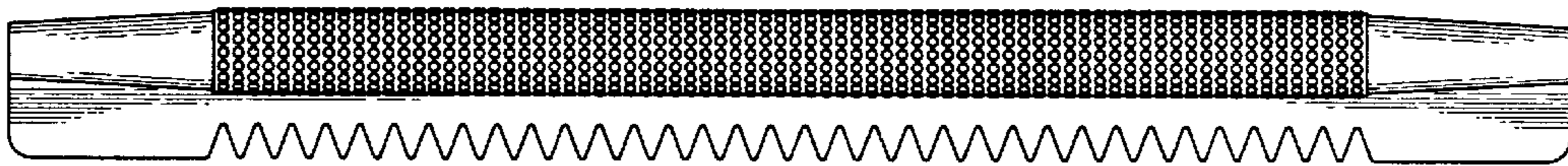


FIG. 3



FIG. 4



FIG. 5

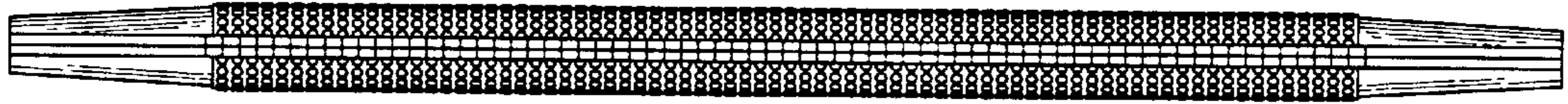


FIG. 6



FIG. 7

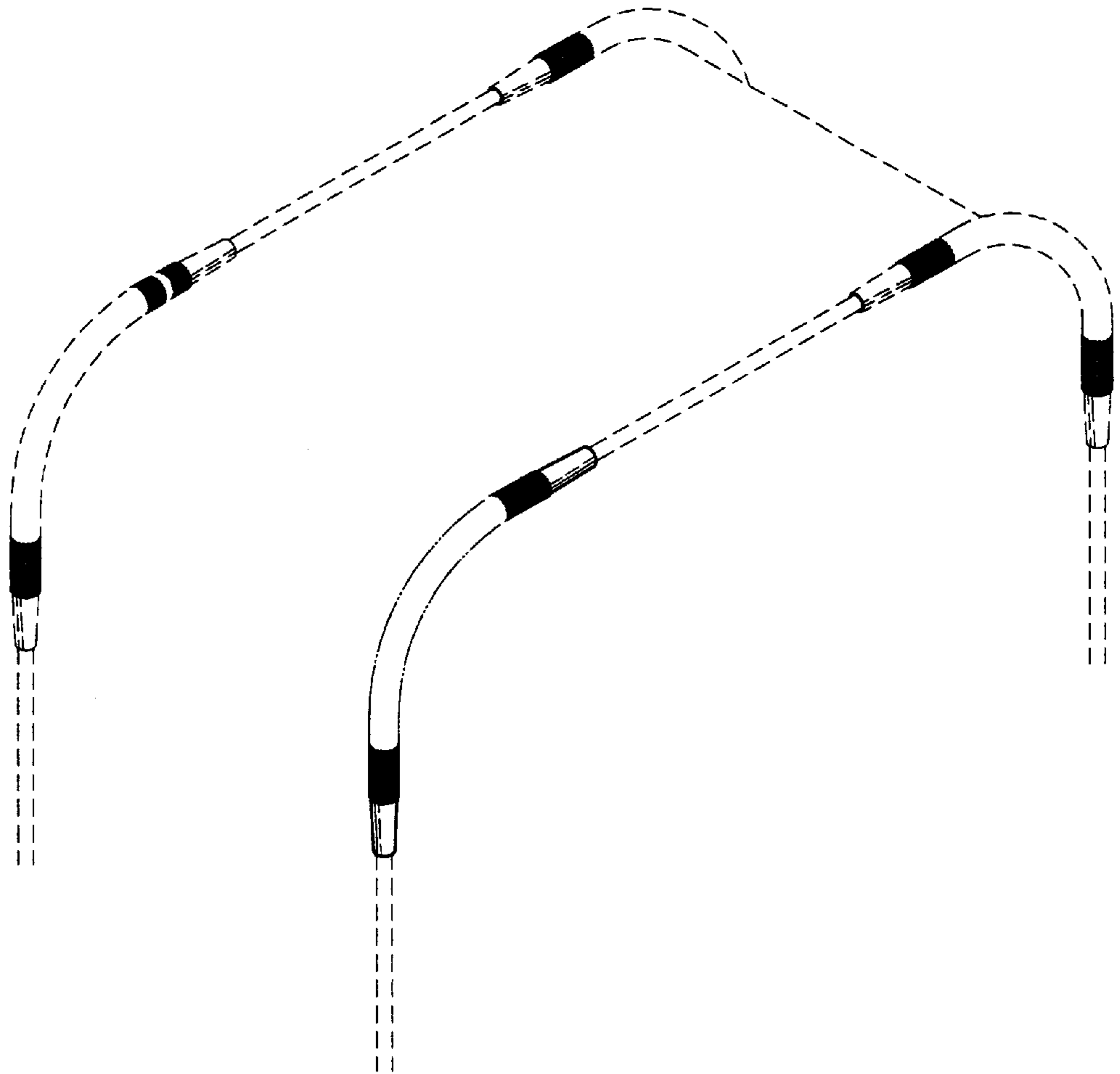


FIG.8