



US00D455266S

(12) **United States Design Patent**
Bradford

(10) **Patent No.:** **US D455,266 S**

(45) **Date of Patent:** **** Apr. 9, 2002**

- (54) **TOTE BOX TOP RAIL CORNER PIECE**
- (75) Inventor: **Judson A. Bradford**, Holland, MI (US)
- (73) Assignee: **Bradford Company**, Holland, MI (US)
- (**) Term: **14 Years**
- (21) Appl. No.: **29/132,746**
- (22) Filed: **Nov. 14, 2000**

- D355,843 S * 2/1995 Kuwata D8/382
- 5,531,326 A 7/1996 Hummel et al.
- D409,083 S * 5/1999 Bernstein D8/382

Related U.S. Application Data

- (63) Continuation-in-part of application No. 29/129,095, filed on Sep. 7, 2000, now abandoned.
- (51) **LOC (7) Cl.** **03-01**
- (52) **U.S. Cl.** **D3/318**
- (58) **Field of Search** D3/318; D8/382, D8/396; 206/509, 512; 229/199, 198, 198.1, 49

OTHER PUBLICATIONS

FEBRA-Kunststoffe GmbH & Co., Klingenberger Str. 2, D-74336 Brackenheim, Germany, product brochure and photographs, (Jan. 1996).

* cited by examiner

Primary Examiner—Philip S. Hyder

(74) *Attorney, Agent, or Firm*—Wood, Herron & Evans L.L.P.

CLAIM

(57) The ornamental design for a tote box top rail corner piece, as shown and described.

DESCRIPTION

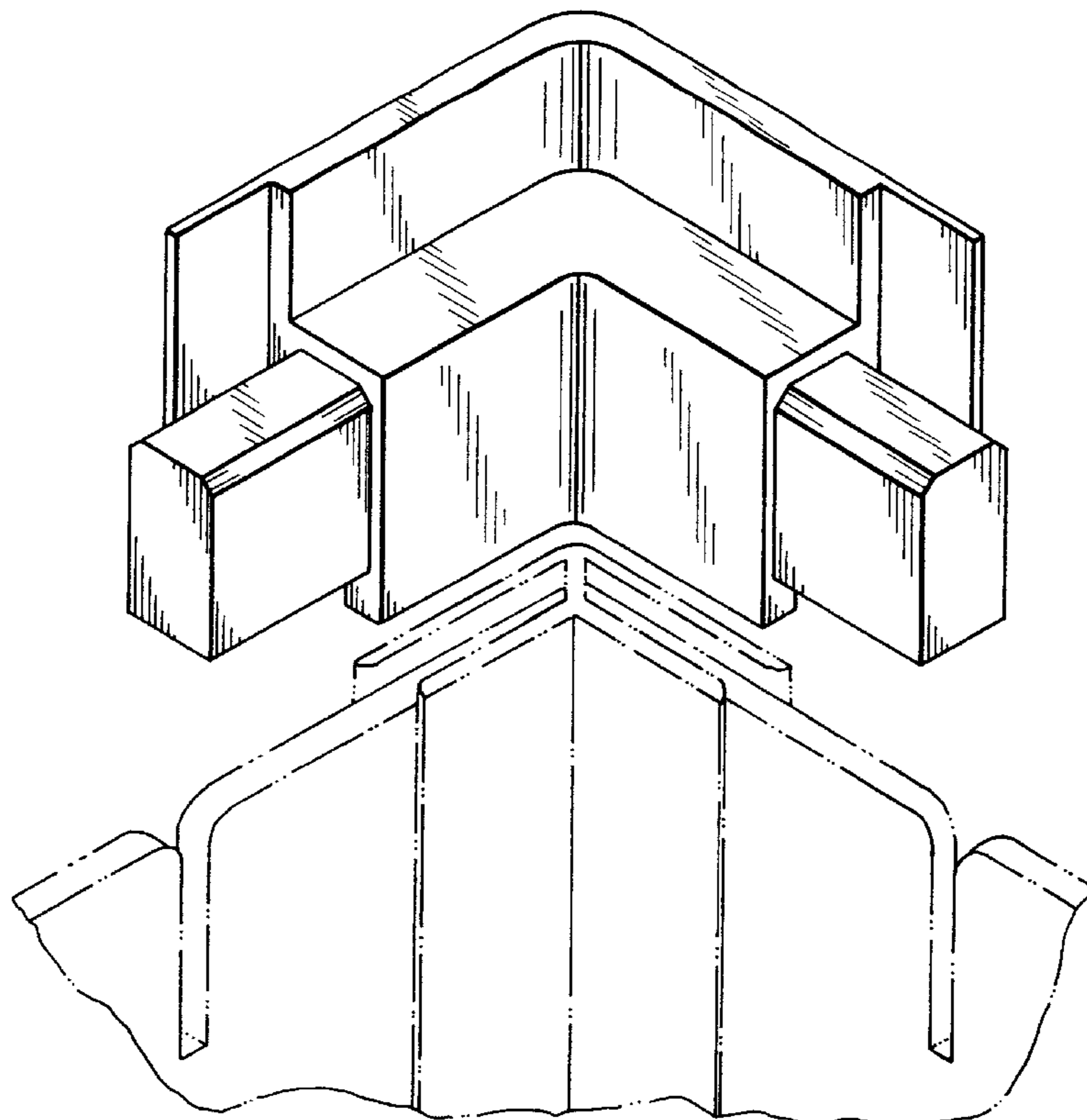
FIG. 1 is a perspective view of a tote box top rail corner piece showing my design, with environment shown in phantom and not claimed as part of the invention; FIG. 2 is a top plan view thereof; FIG. 3 is a front elevational view thereof, the left side view is a mirror image thereof; FIG. 4 is a rear view thereof, the right side view is a mirror image thereof; and, FIG. 5 is a bottom view thereof.

(56) **References Cited**

U.S. PATENT DOCUMENTS

- 4,493,425 A * 1/1985 Yoshida 211/189
- 4,787,553 A * 11/1988 Hoskins 229/49
- D303,457 S * 9/1989 Stewart D6/300
- D317,400 S * 6/1991 Loew D8/382
- 5,036,979 A * 8/1991 Selz 206/512
- 5,037,027 A * 8/1991 Nichols 229/198.1
- D333,607 S * 3/1993 Isler D8/382

1 Claim, 2 Drawing Sheets



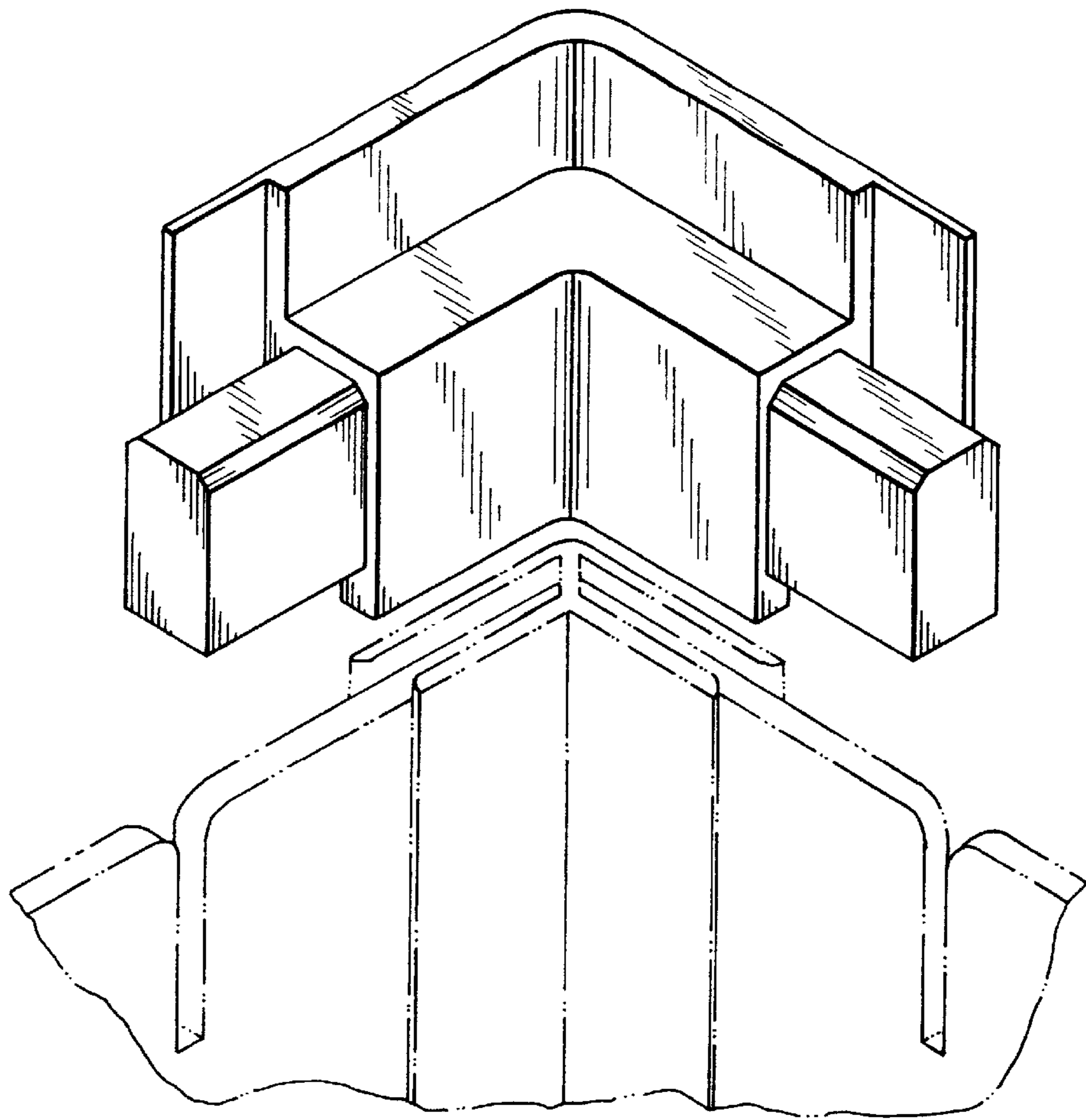


FIG. 1

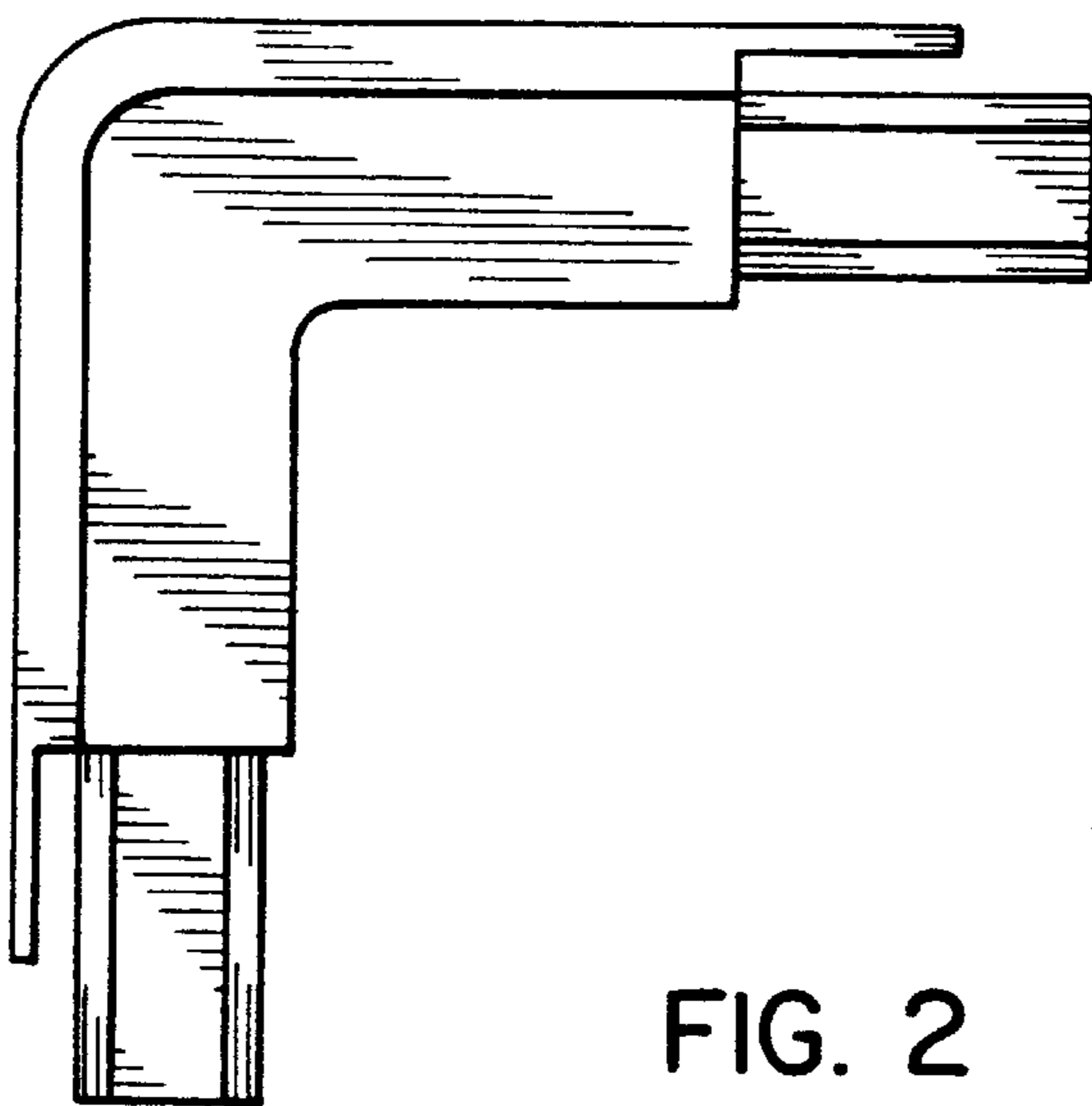


FIG. 2

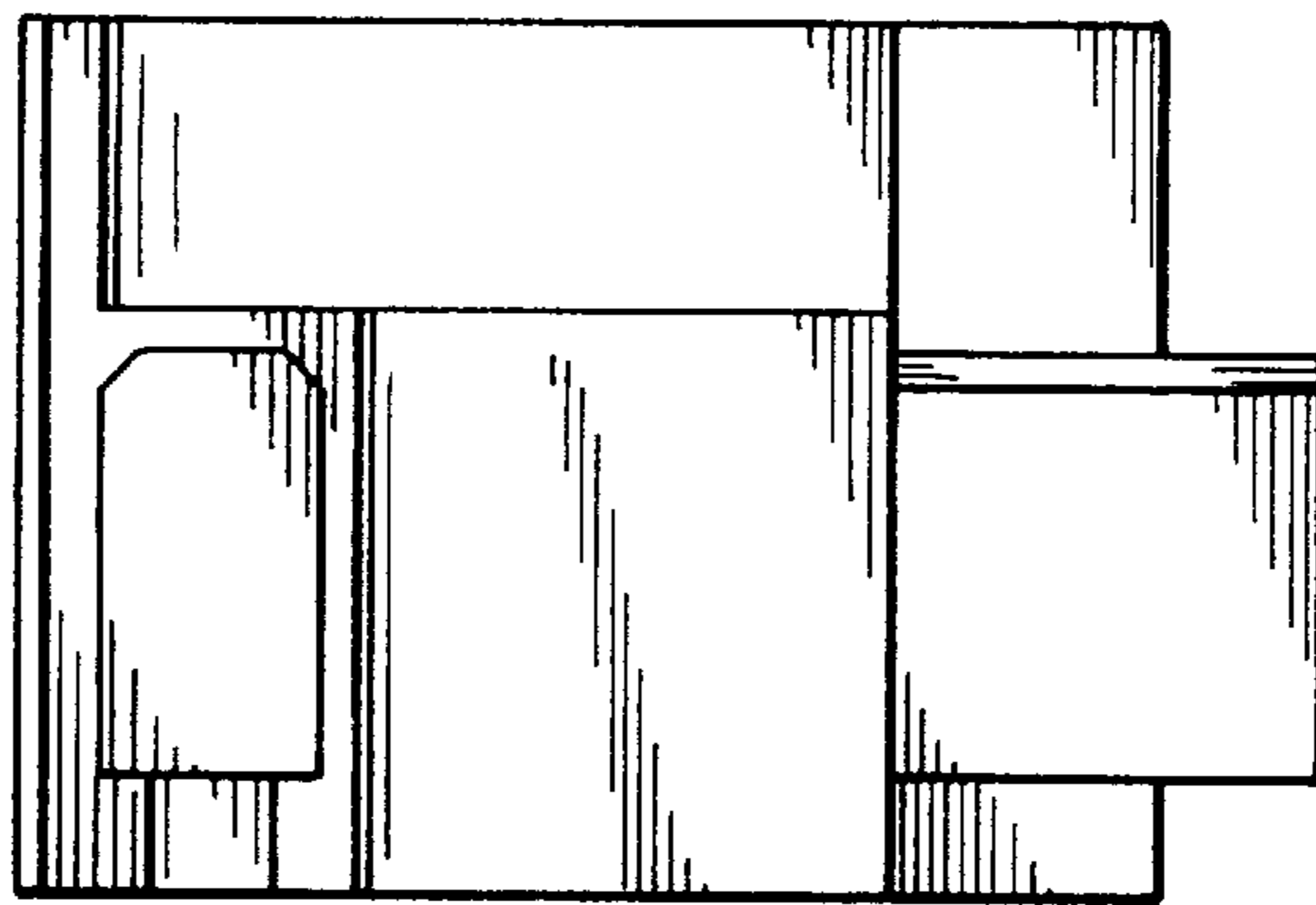


FIG. 3

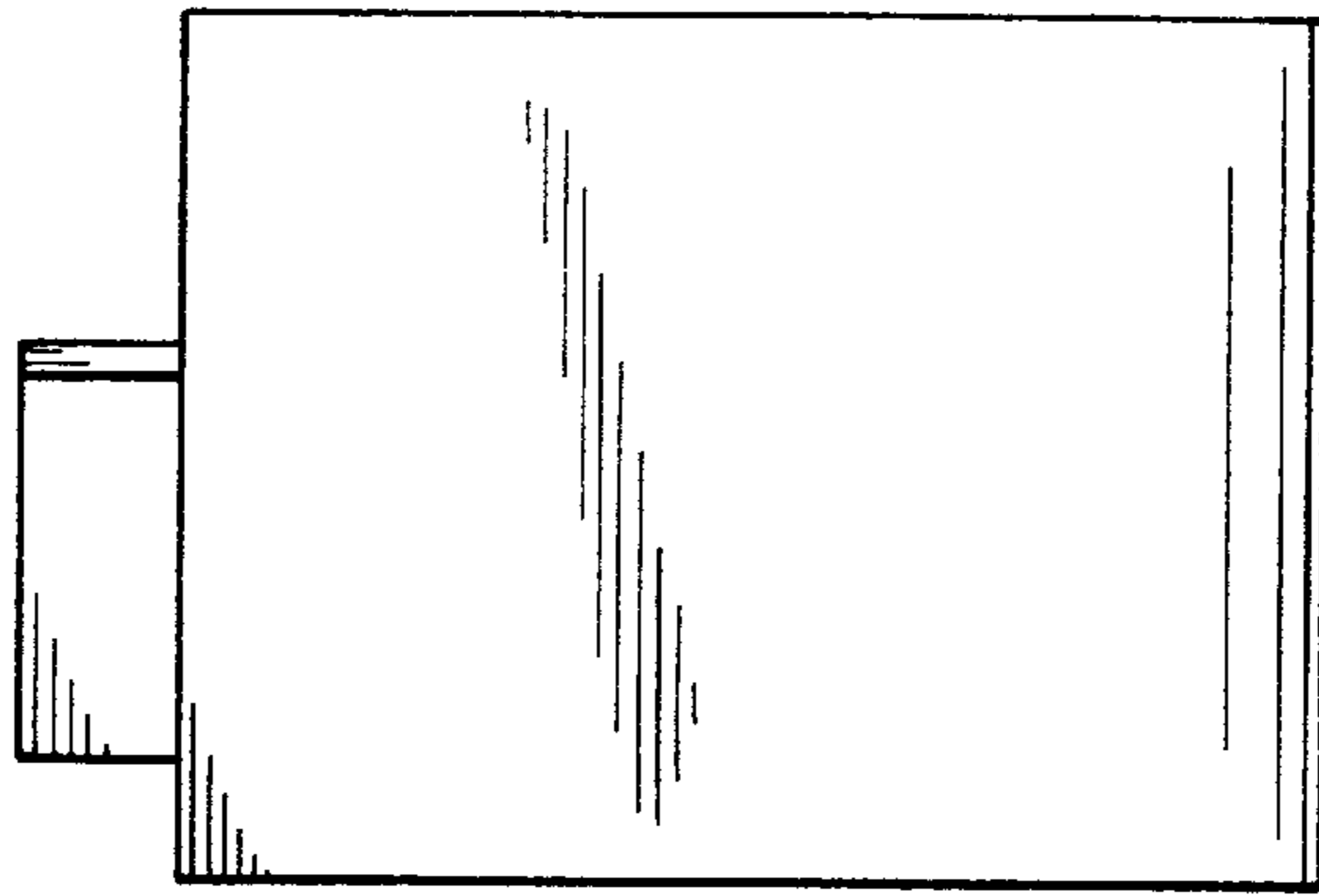


FIG. 4

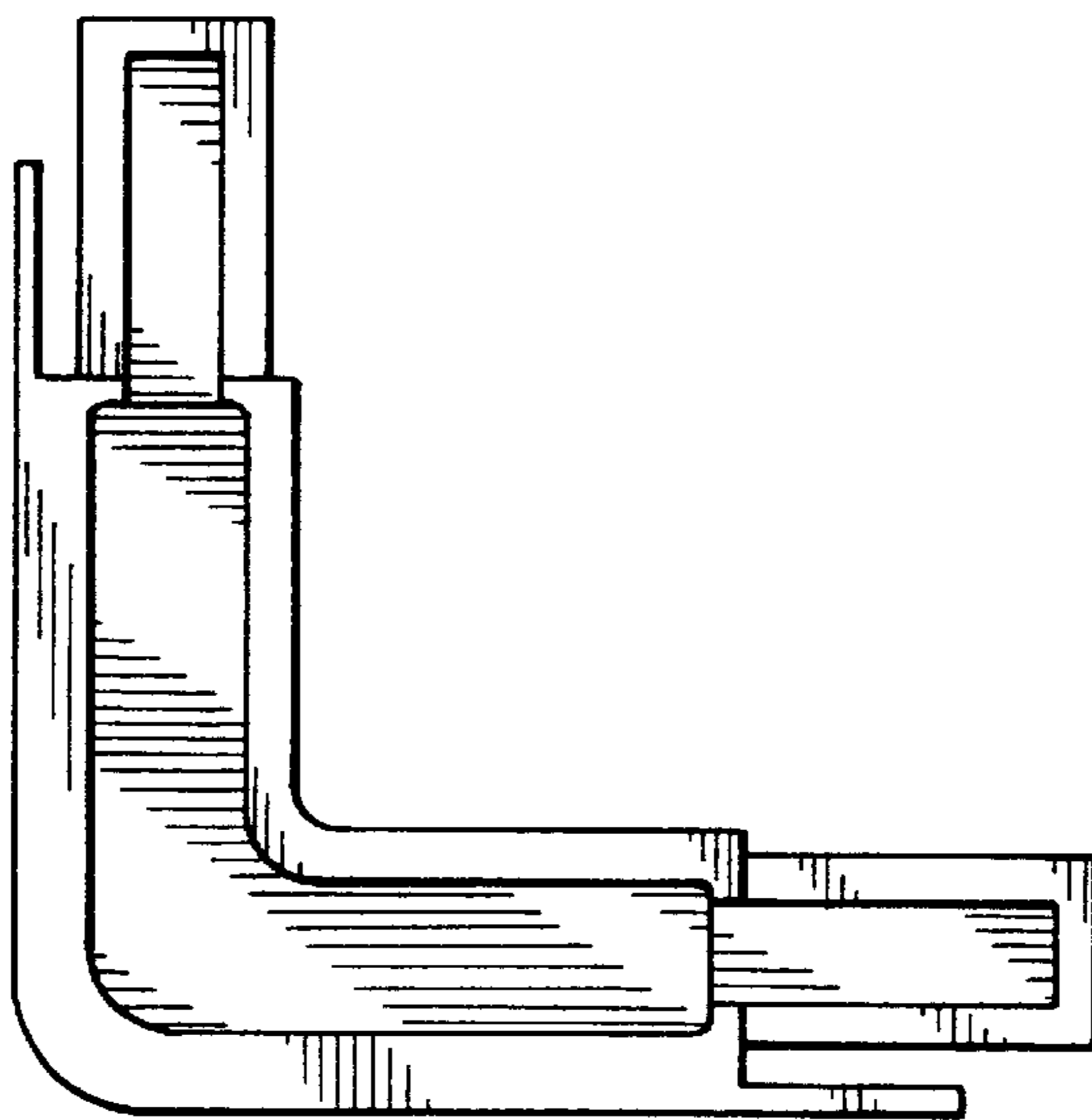


FIG. 5