



US00D455265S

(12) **United States Design Patent**
Smith et al.

(10) **Patent No.:** **US D455,265 S**

(45) **Date of Patent:** **** Apr. 9, 2002**

(54) **CARGO BOX**

(75) Inventors: **Steven D. Smith**, Evans, GA (US);
David N. Schult, North Augusta, SC
(US); **John Thomas Bobbitt, III**,
Evans; **Byron J. Danielson**, Martinez,
both of GA (US)

(73) Assignee: **Club Car Inc.**, Evans, GA (US)

(**) Term: **14 Years**

(21) Appl. No.: **29/138,704**

(22) Filed: **Mar. 19, 2001**

(51) **LOC (7) Cl.** **03-01**

(52) **U.S. Cl.** **D3/304**

(58) **Field of Search** D3/304, 305, 315;
D19/75-77, 92; 206/557, 509; 220/511,
570, 771, 573; 211/133.6, 126.1; D12/415,
425; D6/510, 396; 312/330.1

(56) **References Cited**

U.S. PATENT DOCUMENTS

2,828,059	A	*	3/1958	Ross	206/557
D247,866	S	*	5/1978	Sandoval	D6/510
4,671,581	A	*	6/1987	Faust et al.	D6/510
D427,800	S	*	7/2000	Dornbierer	D6/396

* cited by examiner

Primary Examiner—Louis S. Zarfaz

Assistant Examiner—Deanne Levy

(74) *Attorney, Agent, or Firm*—Michael Best & Friedrich
LLP

(57) **CLAIM**

The ornamental design for a cargo box, as shown and
described.

DESCRIPTION

FIG. 1 is a perspective view of a cargo box showing our new
design;

FIG. 2 is a left side view of the design of a cargo box
according to the present invention, the right side being a
mirror image of the left side;

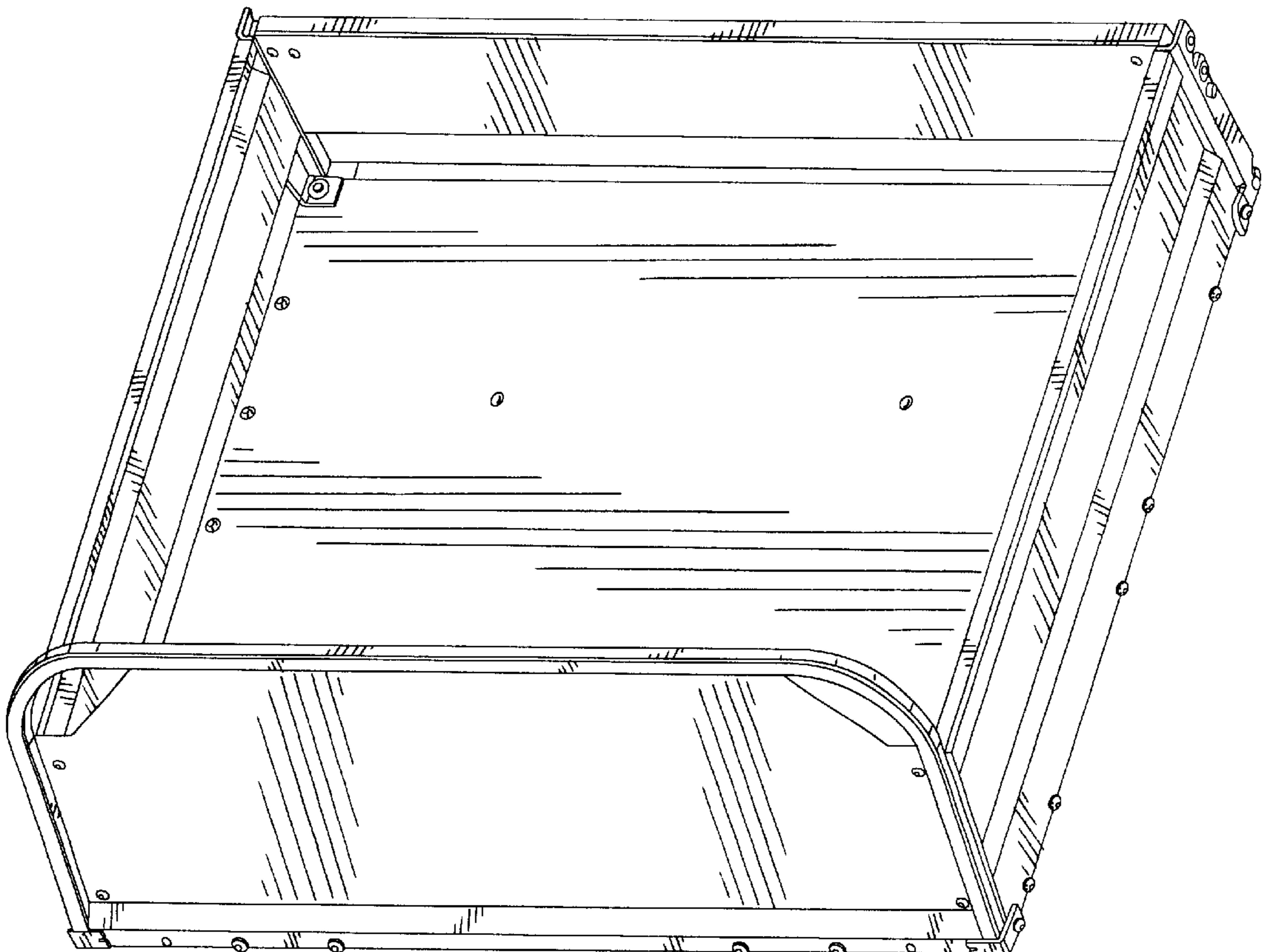
FIG. 3 is a rear view of the design of a cargo box according
to the present invention;

FIG. 4 is a front view of the design of a cargo box according
to the present invention;

FIG. 5 is a bottom view of the design of a cargo box
according to the present invention; and,

FIG. 6 is a top view of the design of a cargo box according
to the present invention.

1 Claim, 4 Drawing Sheets



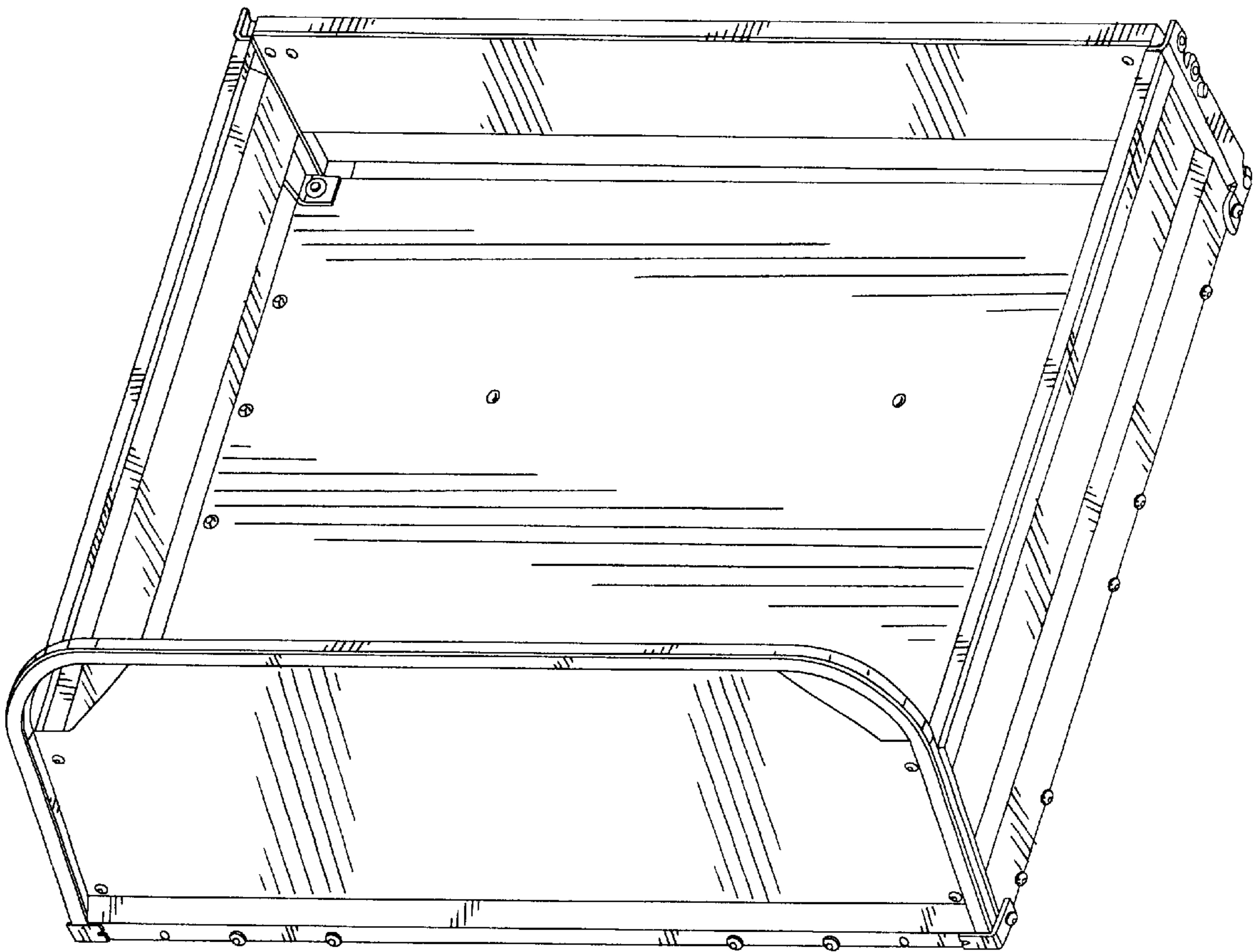


FIG. 1

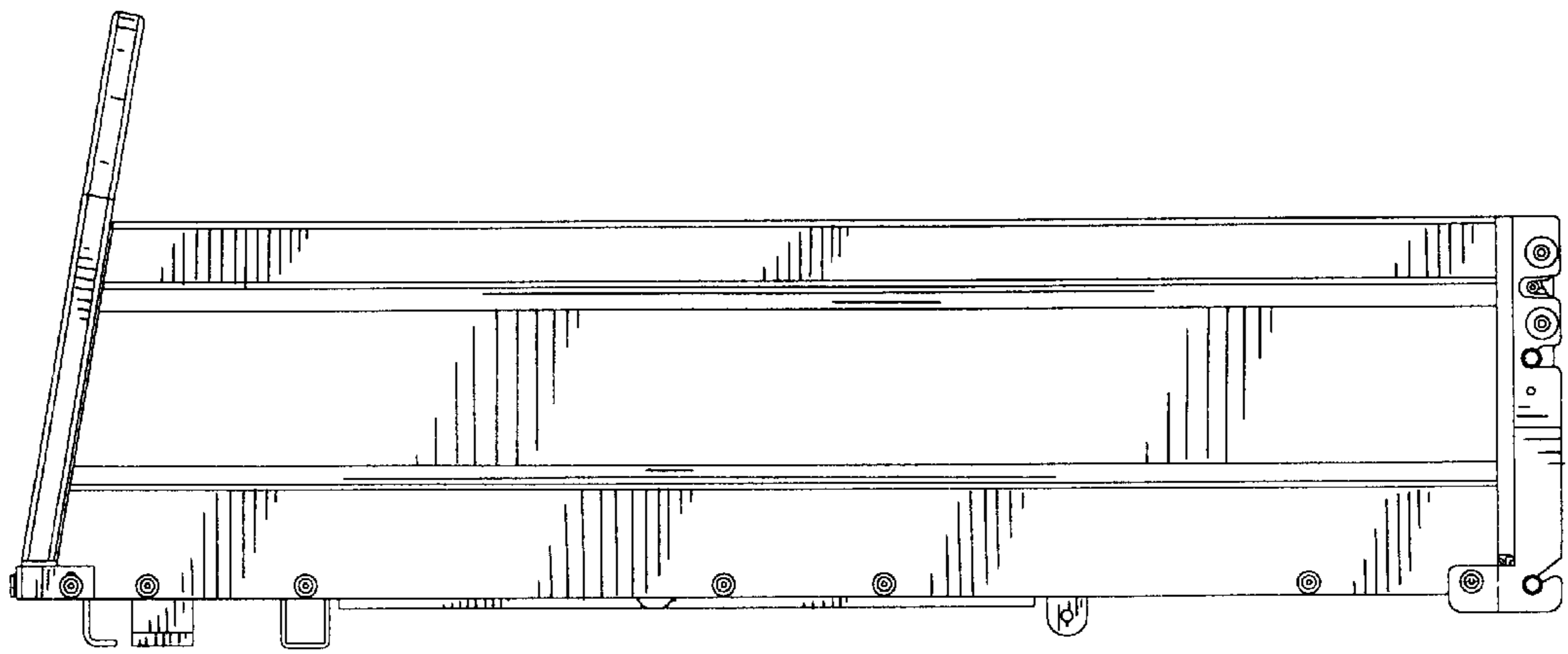


FIG. 2

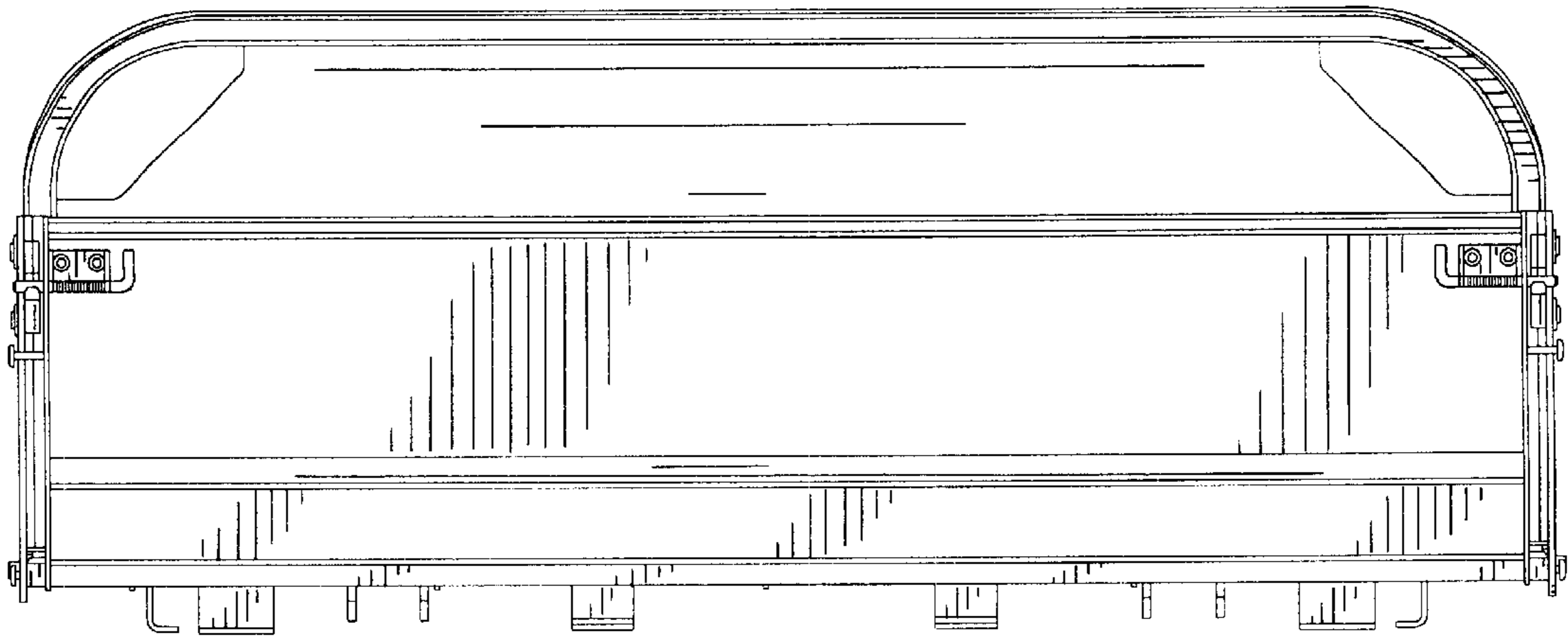


FIG. 3

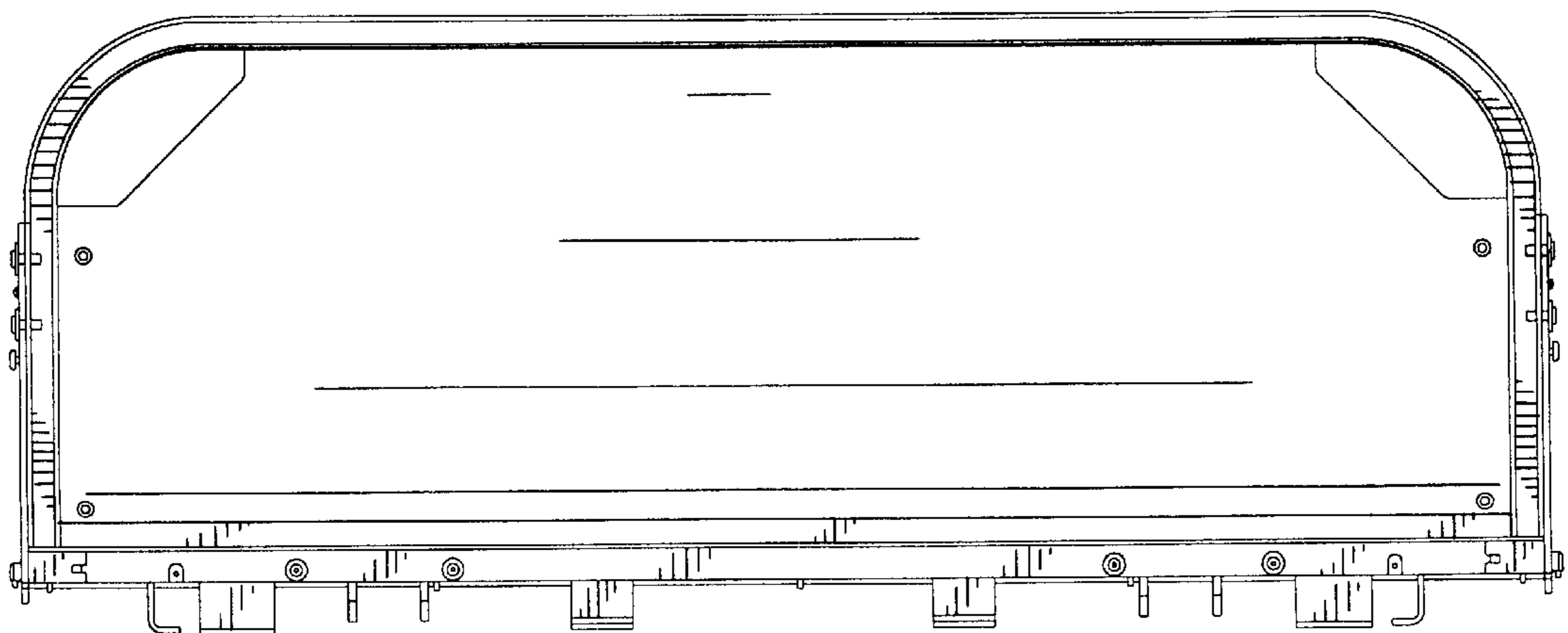


FIG. 4

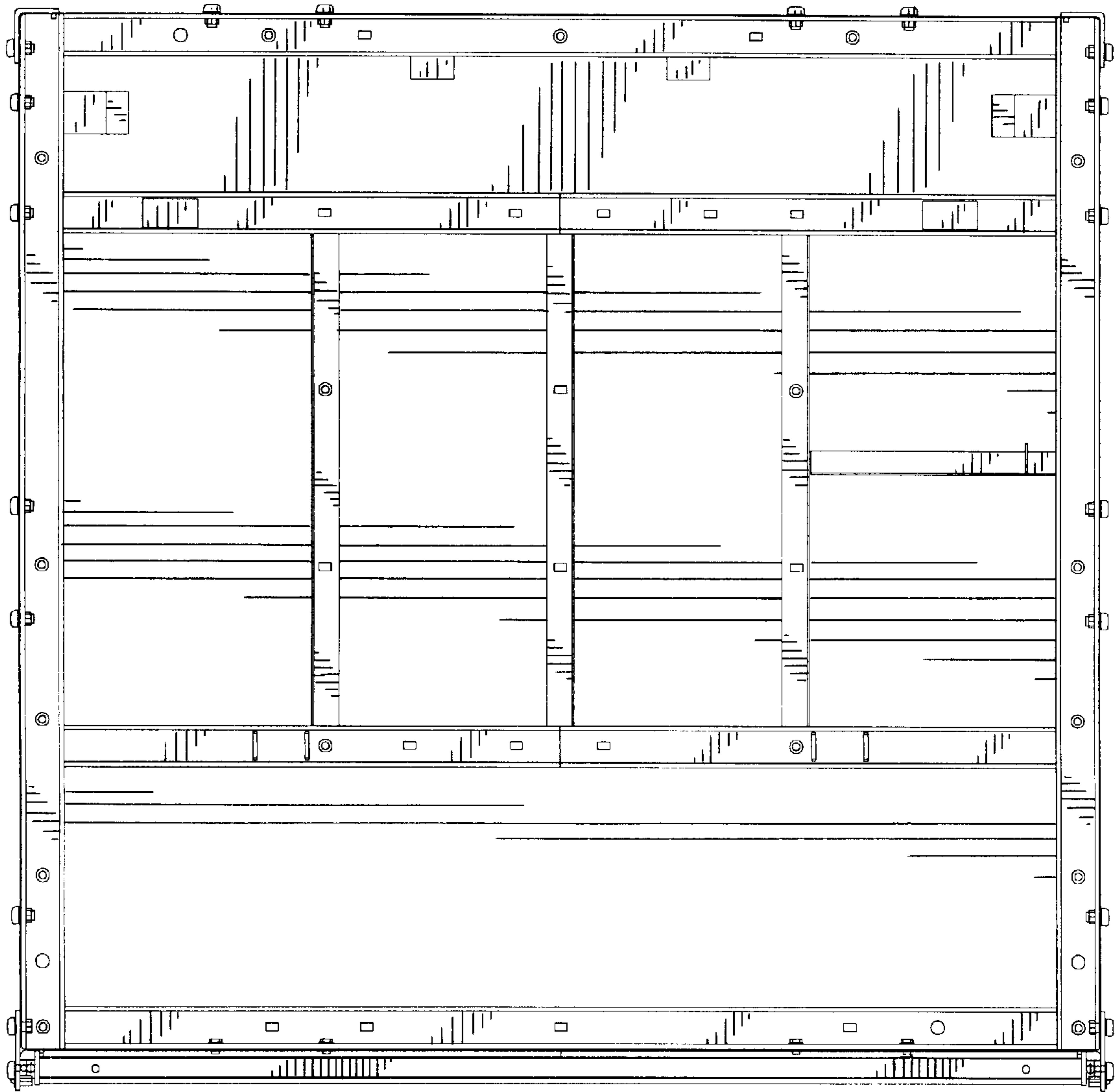


FIG. 5

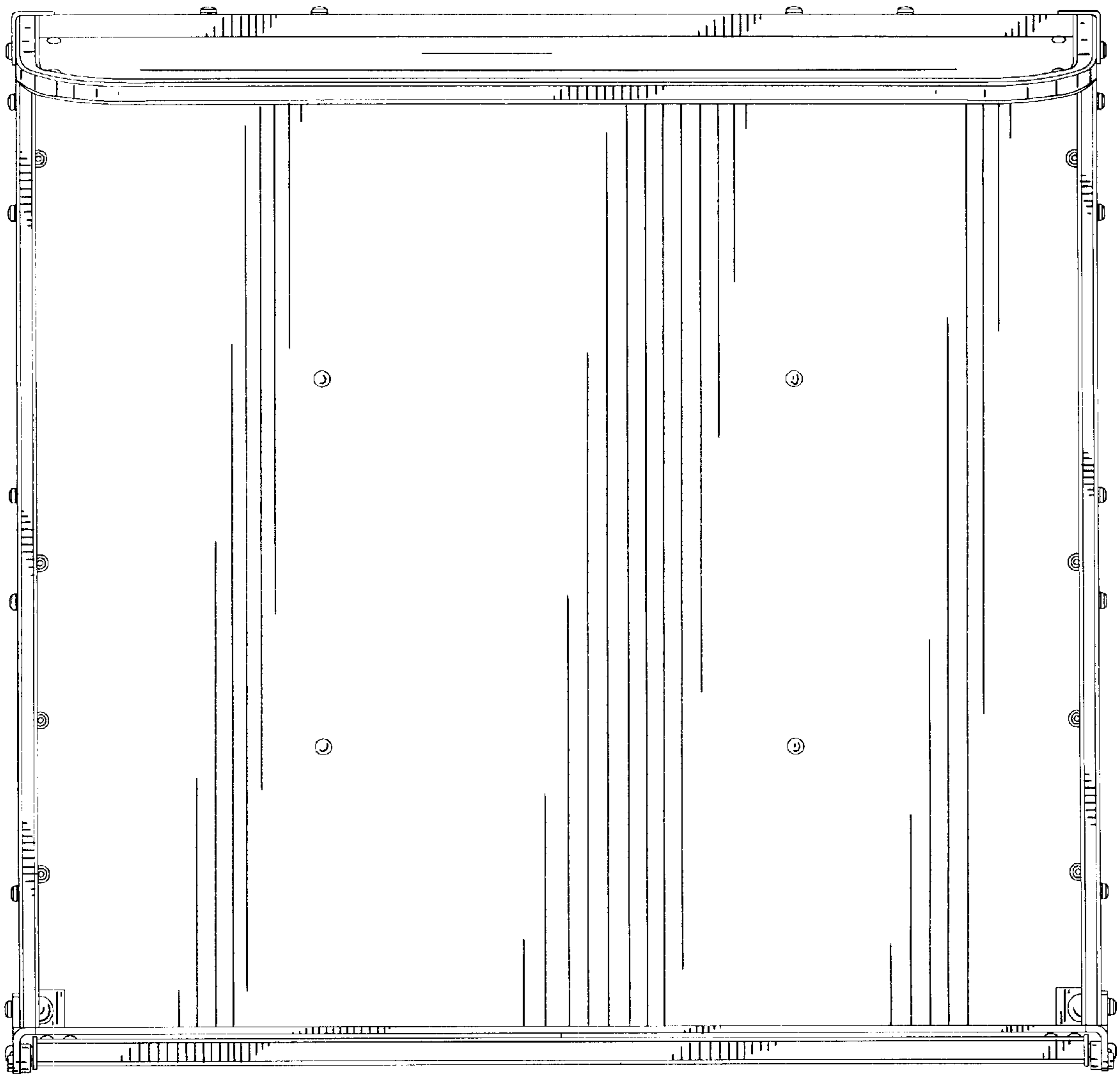


FIG. 6