



US00D455262S

(12) **United States Design Patent**  
**Krulik**

(10) **Patent No.:** **US D455,262 S**

(45) **Date of Patent:** **\*\* Apr. 9, 2002**

(54) **ROLLING COMPUTER CASE**

D444,946 S \* 7/2001 Klamm ..... D3/279

(75) Inventor: **Richard J. Krulik**, Dix Hills, NY (US)

\* cited by examiner

(73) Assignee: **United States Luggage, L.P.**,  
Happauge, NY (US)

*Primary Examiner*—Philip S. Hyder

(74) *Attorney, Agent, or Firm*—Abelman, Frayne &  
Schwab

(\*\*) Term: **14 Years**

(57) **CLAIM**

(21) Appl. No.: **29/139,305**

The ornamental design for a rolling computer case, as shown  
and described.

(22) Filed: **Mar. 28, 2001**

**DESCRIPTION**

(51) **LOC (7) Cl.** ..... **03-01**

(52) **U.S. Cl.** ..... **D3/279; D3/276; D3/289**

(58) **Field of Search** ..... D3/273, 276, 279,  
D3/283, 284, 285, 289; 190/18 A, 100,  
109, 110, 111, 112, 113

FIG. 1 is a top left front perspective view showing my new  
rolling computer case design;

FIG. 2 is a front elevation view thereof;

FIG. 3 is a top plan view thereof;

FIG. 4 is a right side elevation view thereof;

FIG. 5 is a left side elevation view thereof;

FIG. 6 is a bottom plan view thereof;

FIG. 7 is a rear elevation view thereof;

FIG. 8 is a top right perspective view of the case of FIG. 1  
in which the front portion has been opened to show the  
interior of the case; and,

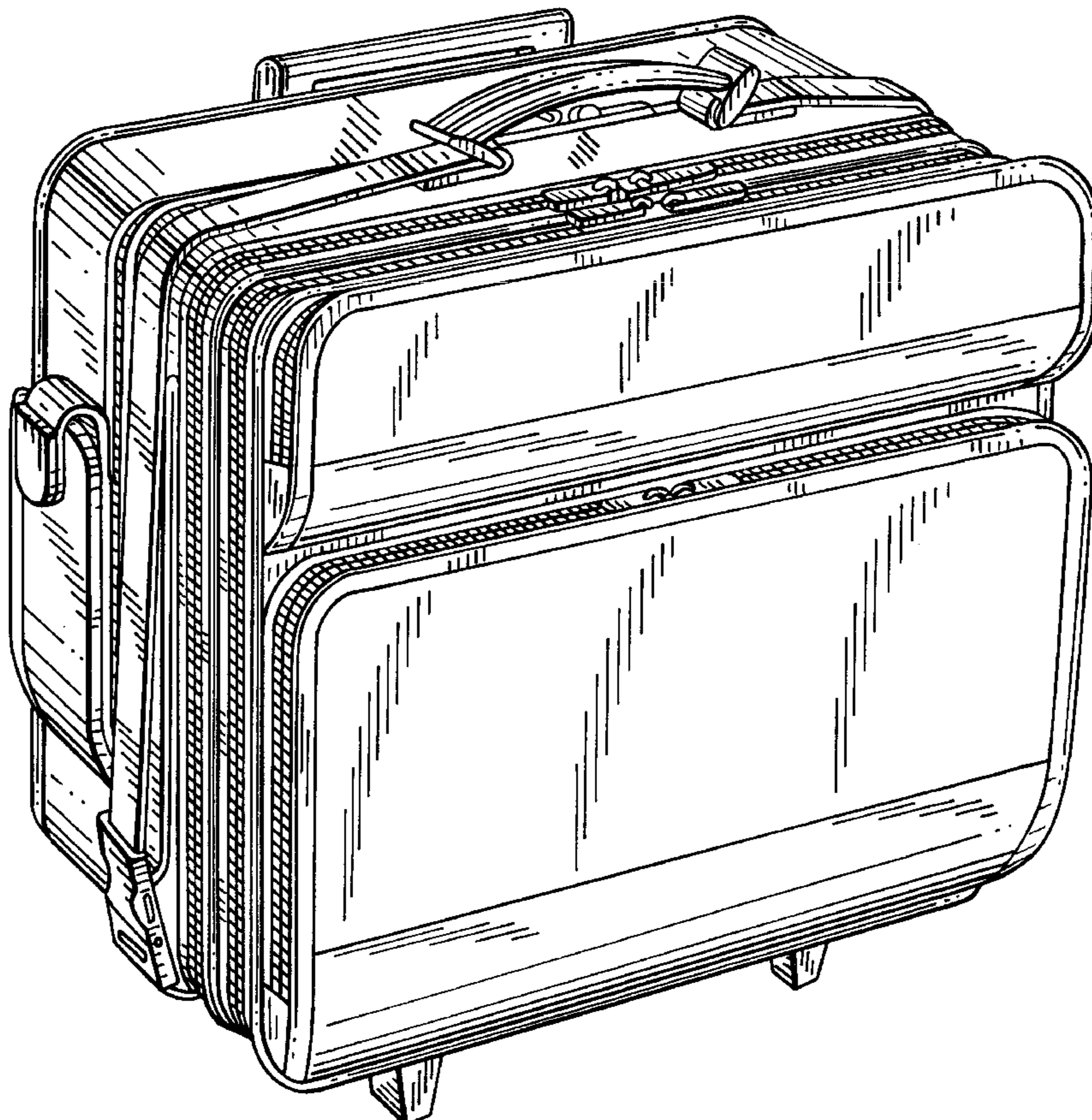
FIG. 9 is a top left perspective view of the case of FIG. 1  
in which the central section has been opened to show the  
interior of the computer storage compartment, the broken  
lines forming no part of the claimed design.

(56) **References Cited**

**U.S. PATENT DOCUMENTS**

D352,395 S	*	11/1994	King	.....	D3/279
D364,504 S	*	11/1995	Bieber et al.	.....	D3/276
D374,987 S	*	10/1996	Hughes	.....	D3/279
D381,511 S	*	7/1997	Krulik	.....	D3/279
D383,604 S	*	9/1997	King et al.	.....	D3/279
D385,699 S	*	11/1997	Lin	.....	D3/279
D389,308 S	*	1/1998	King et al.	.....	D3/279
6,059,079 A	*	5/2000	Krulik	.....	190/111
D431,906 S	*	10/2000	Livingston	.....	D3/276

**1 Claim, 6 Drawing Sheets**



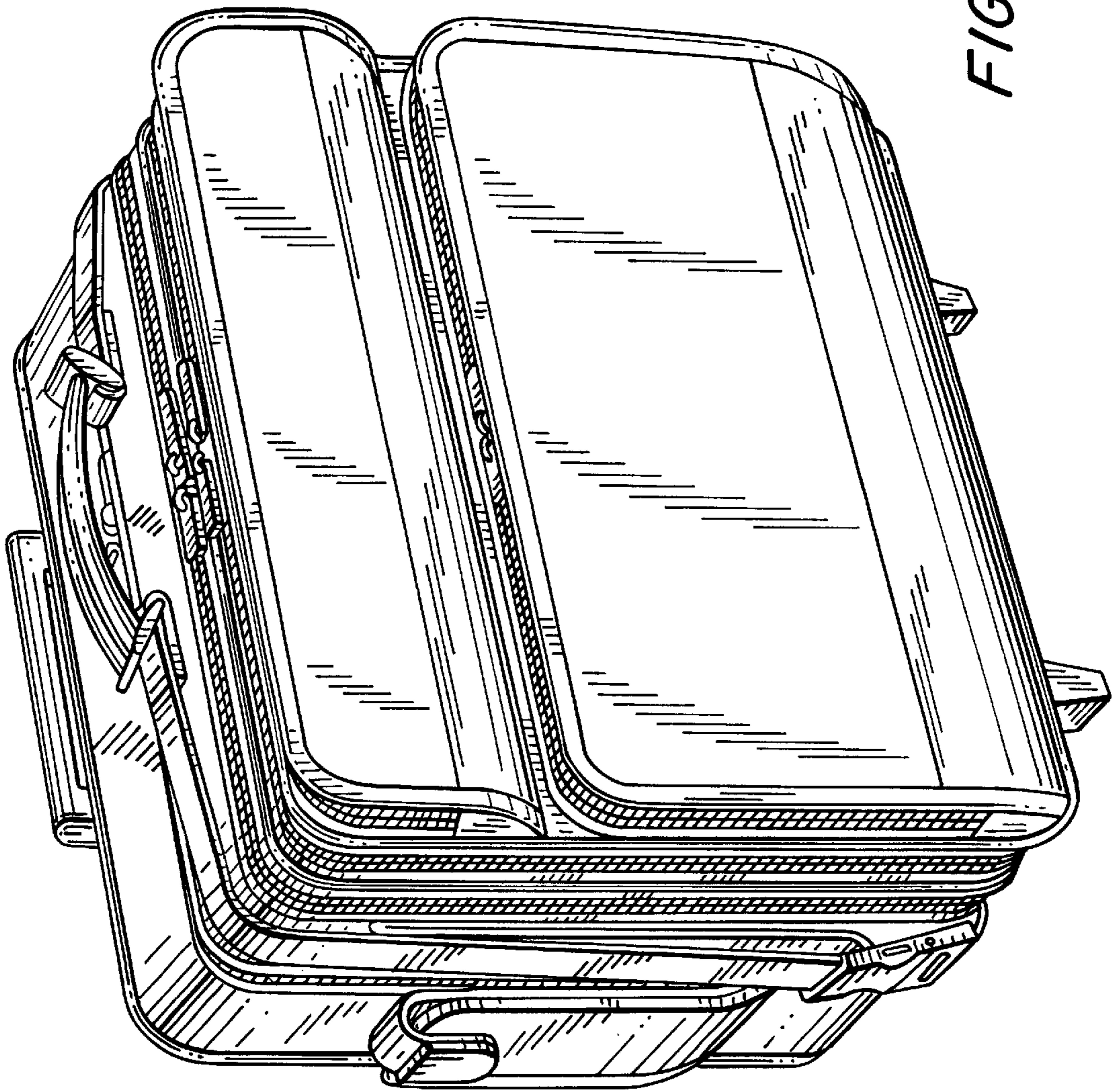


FIG. 1

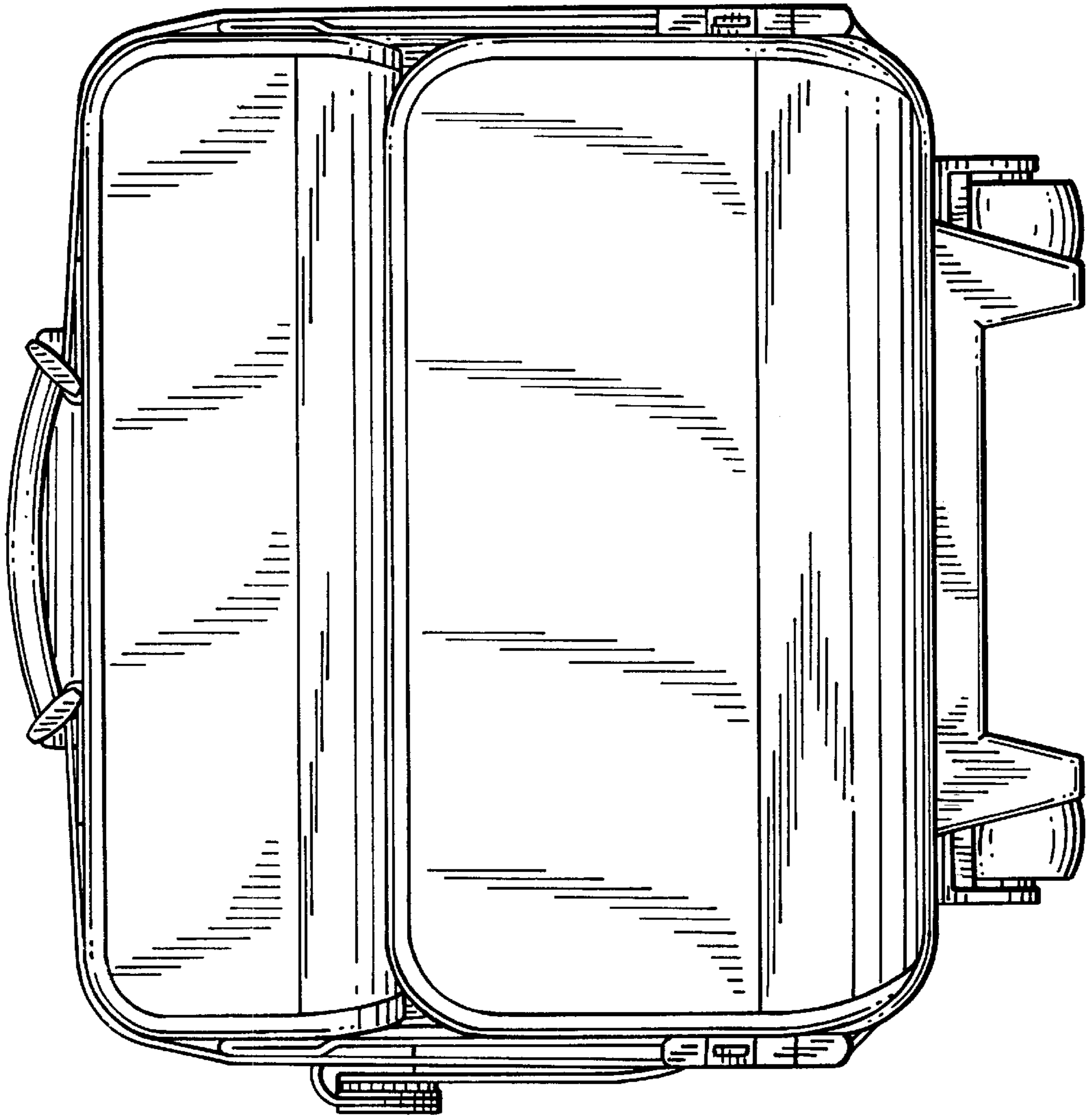


FIG. 2

FIG. 3

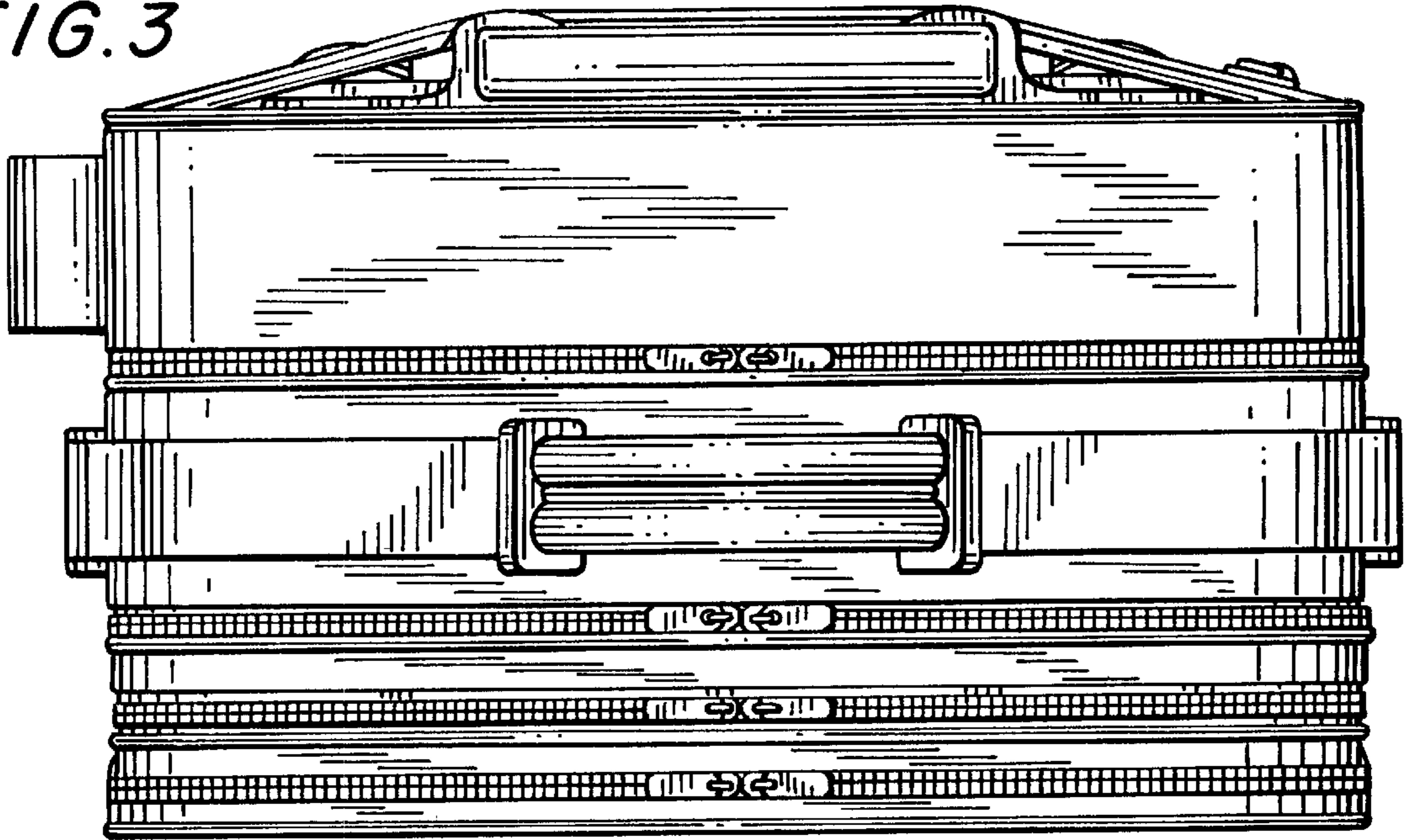
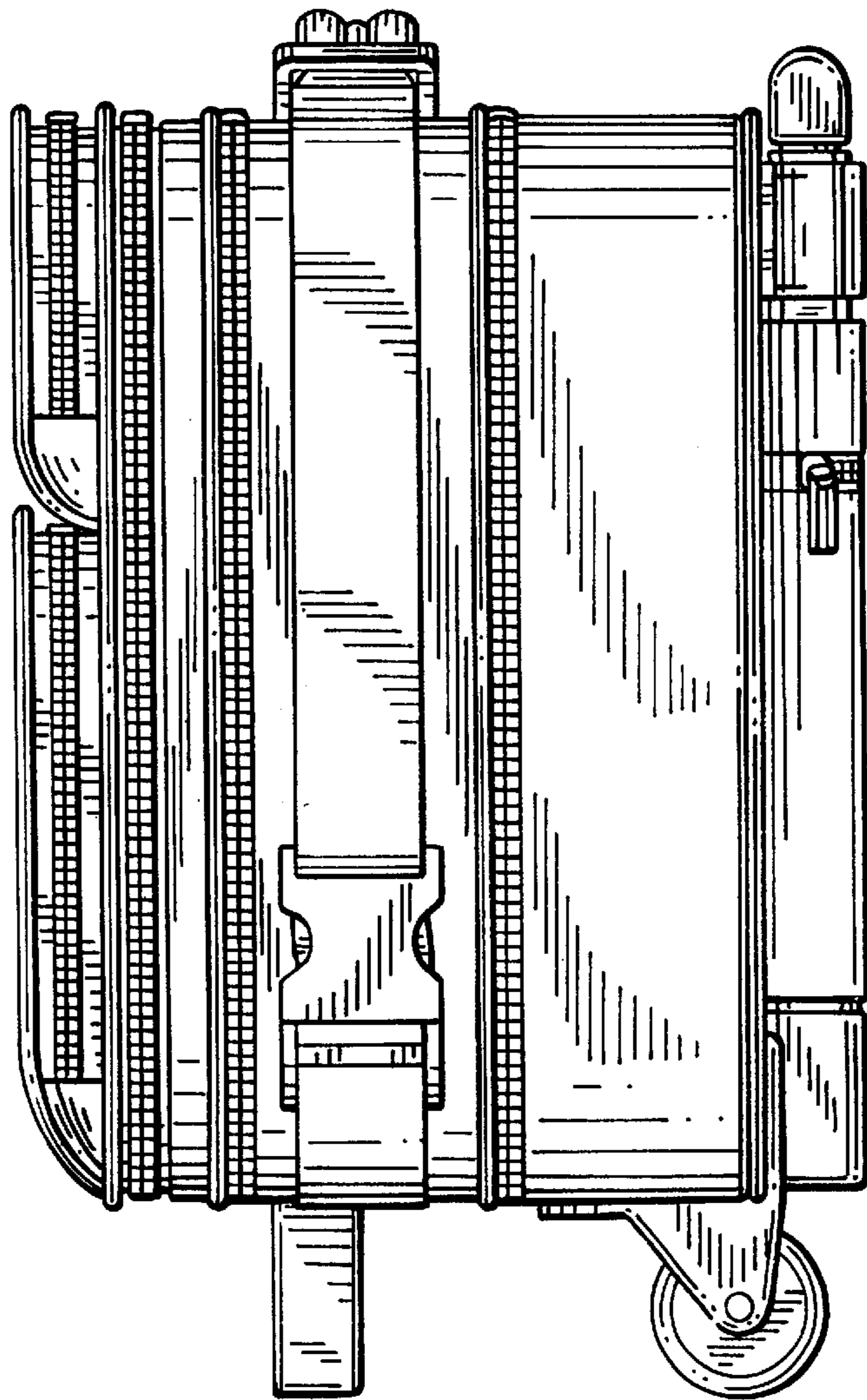


FIG. 4



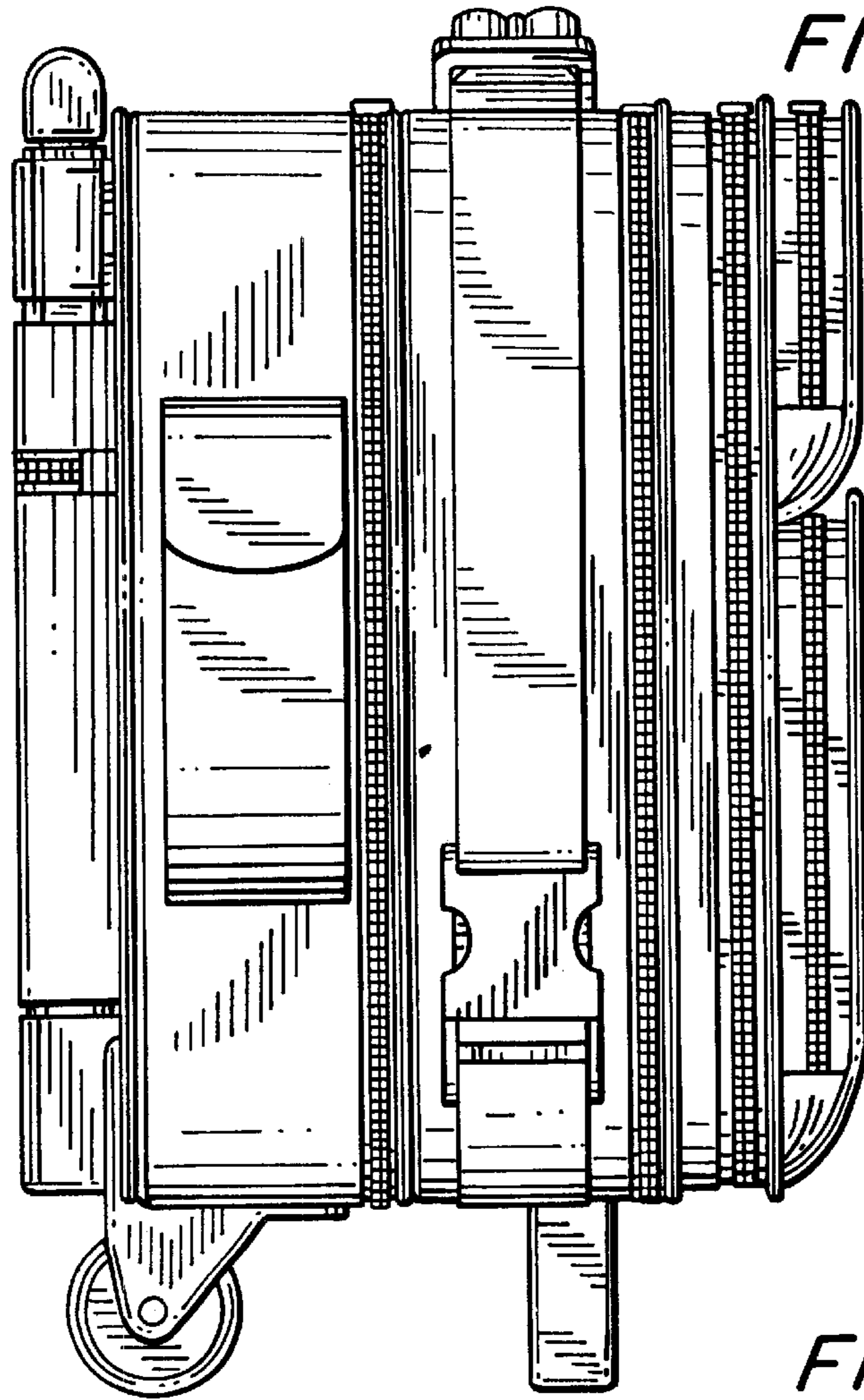


FIG. 5

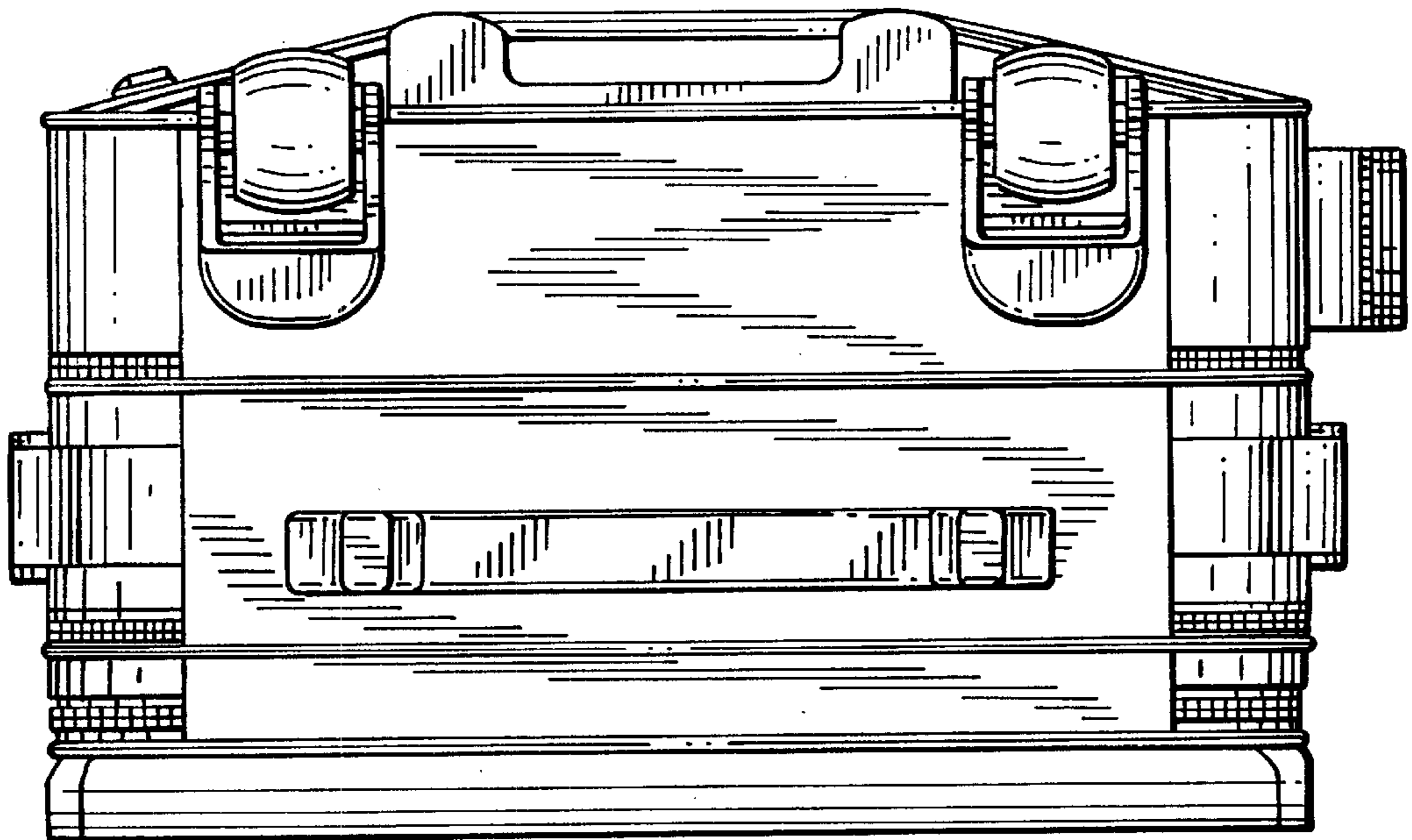


FIG. 6

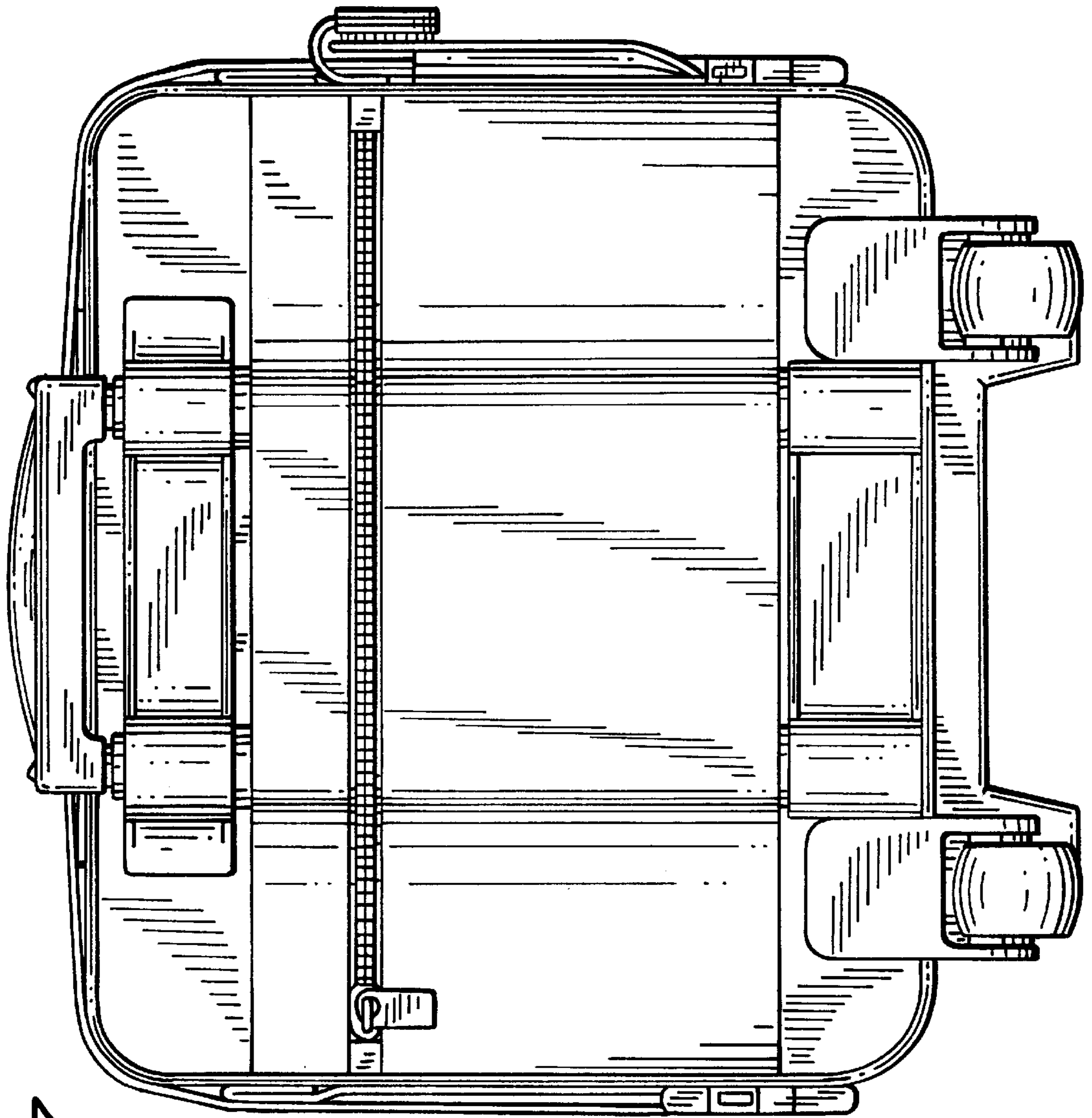
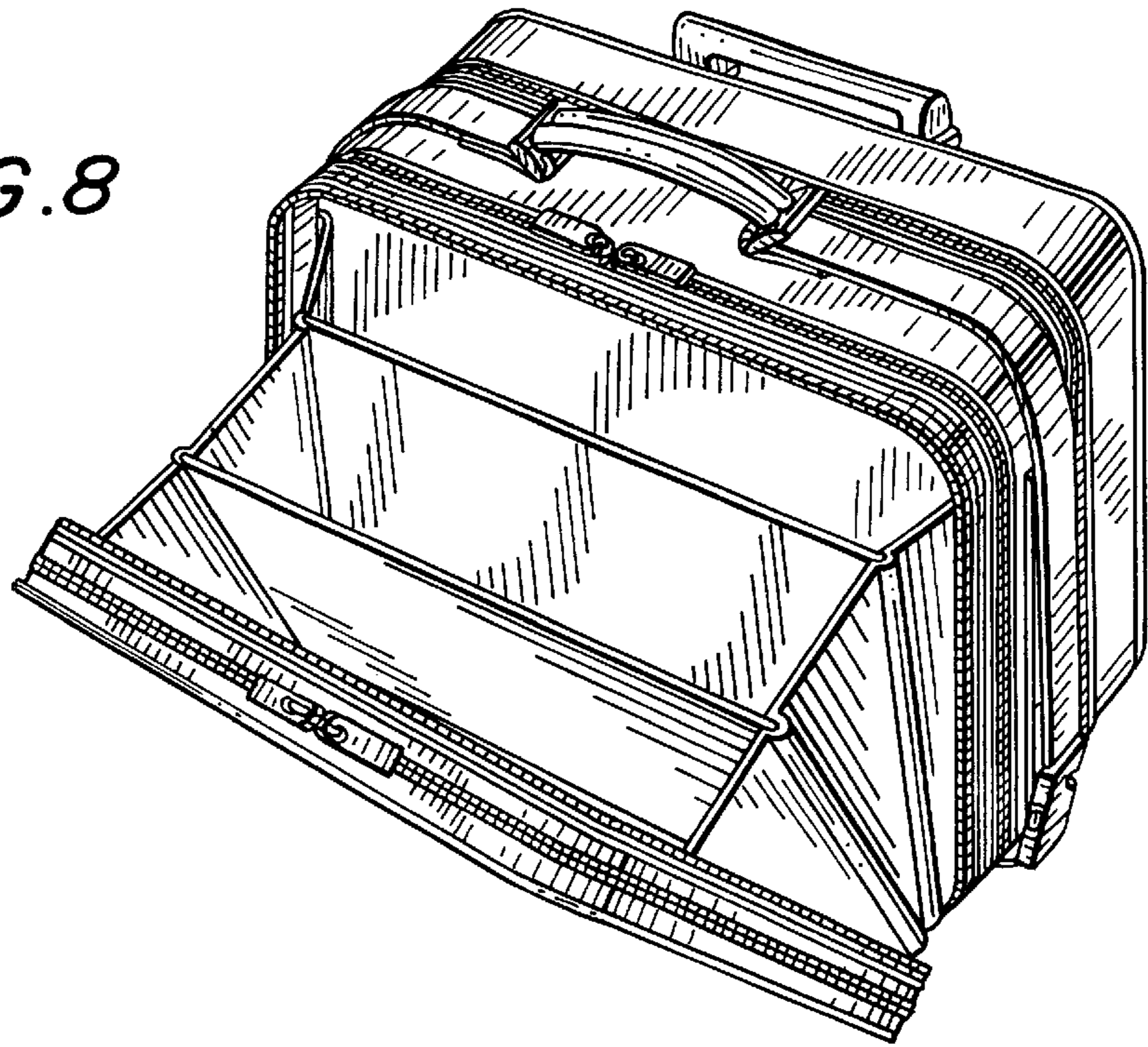


FIG. 7

*FIG. 8*



*FIG. 9*