



US00D455257S

(12) **United States Design Patent**  
**Buthion**

(10) **Patent No.:** **US D455,257 S**

(45) **Date of Patent:** **\*\* Apr. 9, 2002**

(54) **KNIFE HOLDER**

(76) Inventor: **Alain J. P. Buthion**, 1501 NW. 38<sup>th</sup> Pl.,  
Oklahoma City, OK (US) 73118

(\*\*) Term: **14 Years**

(21) Appl. No.: **29/122,045**

(22) Filed: **Apr. 18, 2000**

(51) **LOC (7) Cl.** ..... **03-01**

(52) **U.S. Cl.** ..... **D3/220**

(58) **Field of Search** ..... D3/220, 221, 224,  
D3/226, 228, 203; 224/904, 901, 240, 242,  
231

(56) **References Cited**

**U.S. PATENT DOCUMENTS**

D191,268 S	*	9/1961	Beyer	.....	D3/220
D268,785 S	*	4/1983	Sommers	.....	D3/203
D277,900 S	*	3/1985	Reed	.....	D3/221
D283,546 S	*	4/1986	Nathan	.....	D3/203
D378,633 S	*	4/1997	Granito	.....	D3/228

**OTHER PUBLICATIONS**

Hubert Brochure, p. 569, published at least one year prior to  
the filing date of the above-identified application.

Stubai Brochure, 28 pages, published at least one year prior  
to the filing date of the above-identified application.

\* cited by examiner

*Primary Examiner*—Catherine R. Oliver  
(74) *Attorney, Agent, or Firm*—Dunlap, Coddling & Rogers,  
P.C.

(57) **CLAIM**

The ornamental design for a knife holder, as shown and  
described.

**DESCRIPTION**

FIG. 1 is a perspective view of the knife holder showing my  
new design, with a top flap a plurality of pockets of different  
sizes;

FIG. 2 is a front elevation view thereof;

FIG. 3 is a rear elevation view thereof;

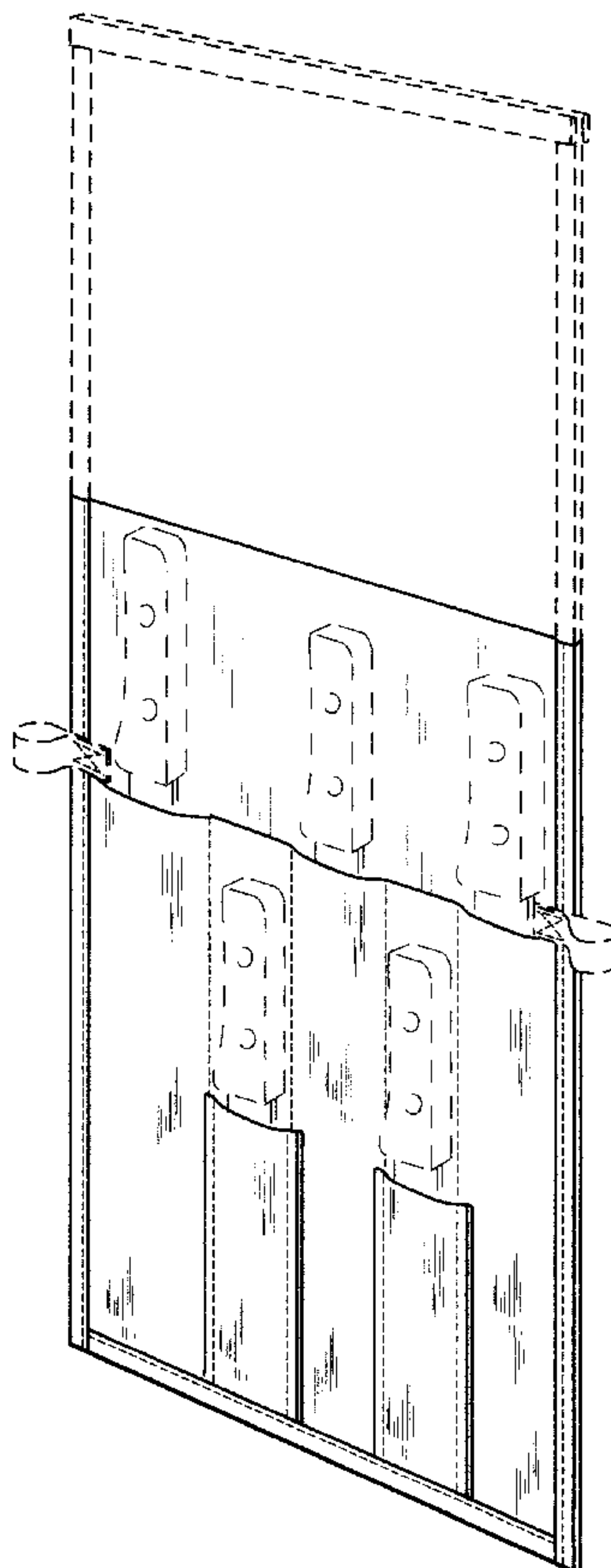
FIG. 4 is a right side elevation thereof;

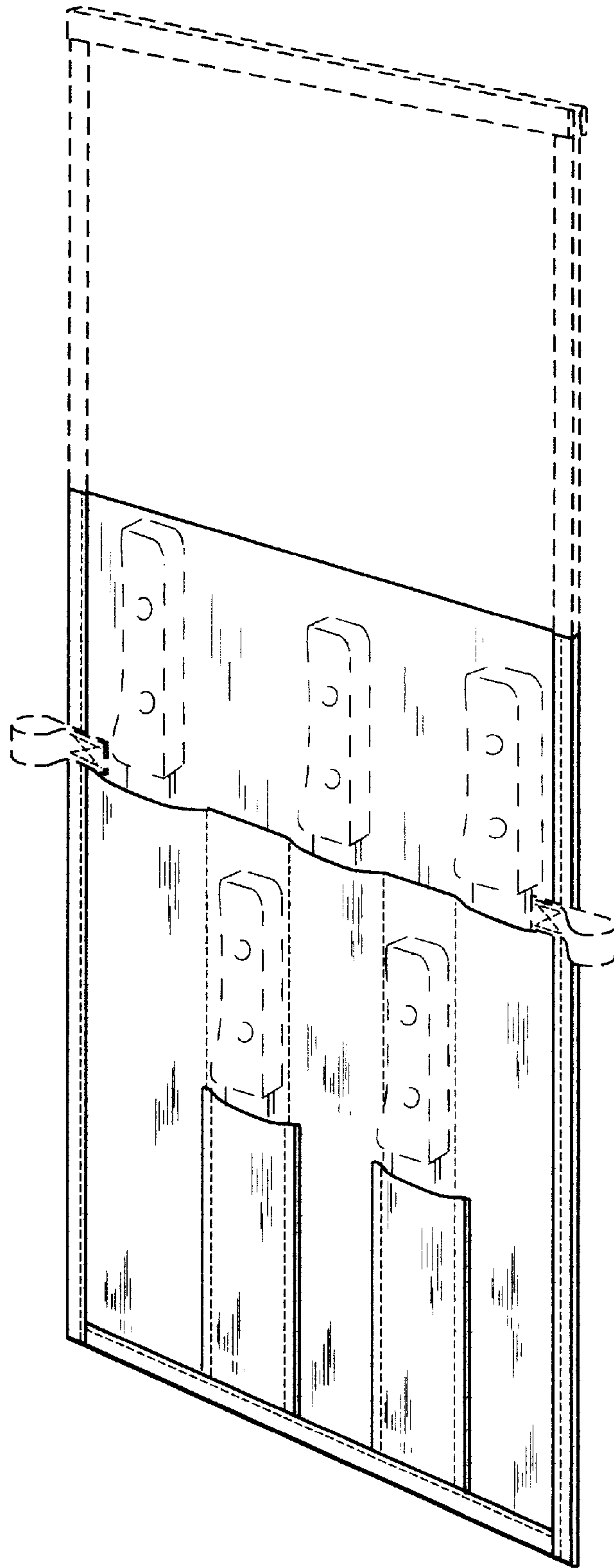
FIG. 5 is a left side elevation view thereof;

FIG. 6 is a top plan view thereof; and,

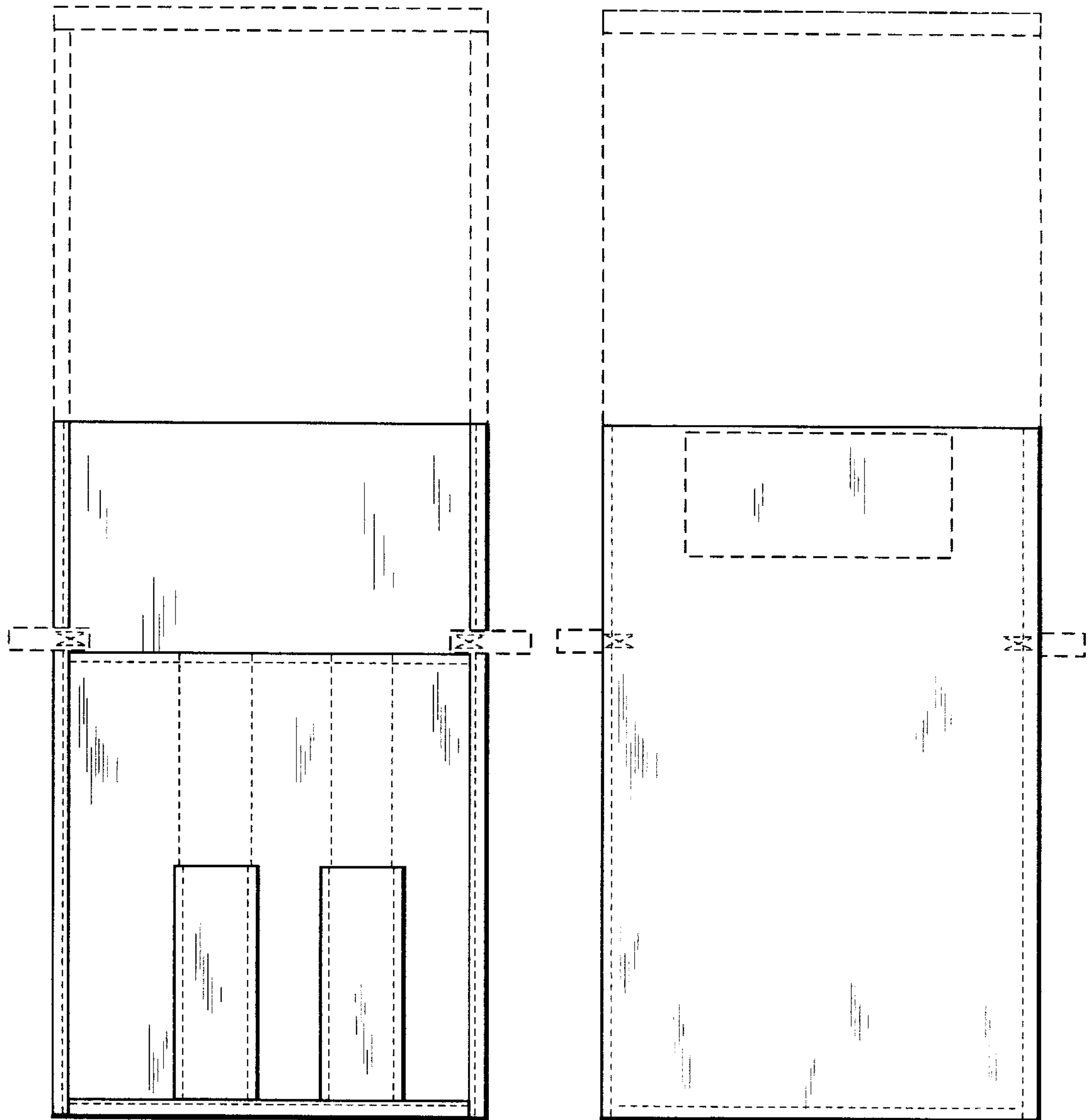
FIG. 7 is a bottom plan view thereof.

**1 Claim, 3 Drawing Sheets**





**FIG. 1**



**FIG. 2**

**FIG. 3**



**FIG. 4**



**FIG. 5**



**FIG. 6**



**FIG. 7**