



US00D455255S

(12) **United States Design Patent**  
**Zeigler**

(10) **Patent No.:** **US D455,255 S**

(45) **Date of Patent:** **\*\* Apr. 9, 2002**

(54) **PORTABLE ELECTRONIC DEVICE CARRIER**

(76) **Inventor:** **Michelle Zeigler**, P.O. Box 996, New York, NY (US) 10013-0865

(\*\*) **Term:** **14 Years**

(21) **Appl. No.:** **29/143,578**

(22) **Filed:** **Jun. 18, 2001**

(51) **LOC (7) Cl.** ..... **03-01**

(52) **U.S. Cl.** ..... **D3/218**

(58) **Field of Search** ..... D3/218, 215, 224, D3/226, 228; 224/222, 219, 267, 240, 236, 901, 904, 151; D2/627

(56) **References Cited**

**U.S. PATENT DOCUMENTS**

1,594,510 A	8/1926	Saks	362/201
4,135,653 A	1/1979	Sieloff	224/222
4,957,231 A *	9/1990	Kalisher	224/151
5,154,506 A	10/1992	Leard	362/103
D360,073 S *	7/1995	Schrader et al.	D3/226
5,433,359 A	7/1995	Flowers	224/222
D370,776 S	6/1996	Frey	D3/218
D373,018 S	8/1996	Alberti	D3/218
5,586,704 A	12/1996	Alexander et al.	224/605
5,653,336 A	8/1997	Buonaiuto et al.	206/320
5,711,469 A	1/1998	Gormley et al.	224/675

5,779,122 A *	7/1998	Martinelli	224/683
D396,553 S	8/1998	Mecham et al.	D3/218
D418,973 S *	1/2000	Epstein	D3/218
D433,227 S *	11/2000	Evans	D3/218
D447,864 S *	9/2001	Casparian	D3/218

\* cited by examiner

*Primary Examiner*—Catherine R. Oliver

(74) *Attorney, Agent, or Firm*—Goldstein Law Offices, P.C.

(57) **CLAIM**

The ornamental design for a portable electronic device carrier, as shown and described.

**DESCRIPTION**

FIG. 1 is a perspective view of a portable electronic device carrier.

FIG. 2 is an alternate perspective view of the portable electronic device carrier, with the cover in the open position, and the side compartment detached.

FIG. 3 is a front elevational view of the portable electronic device carrier.

FIG. 4 is a rear elevational view thereof.

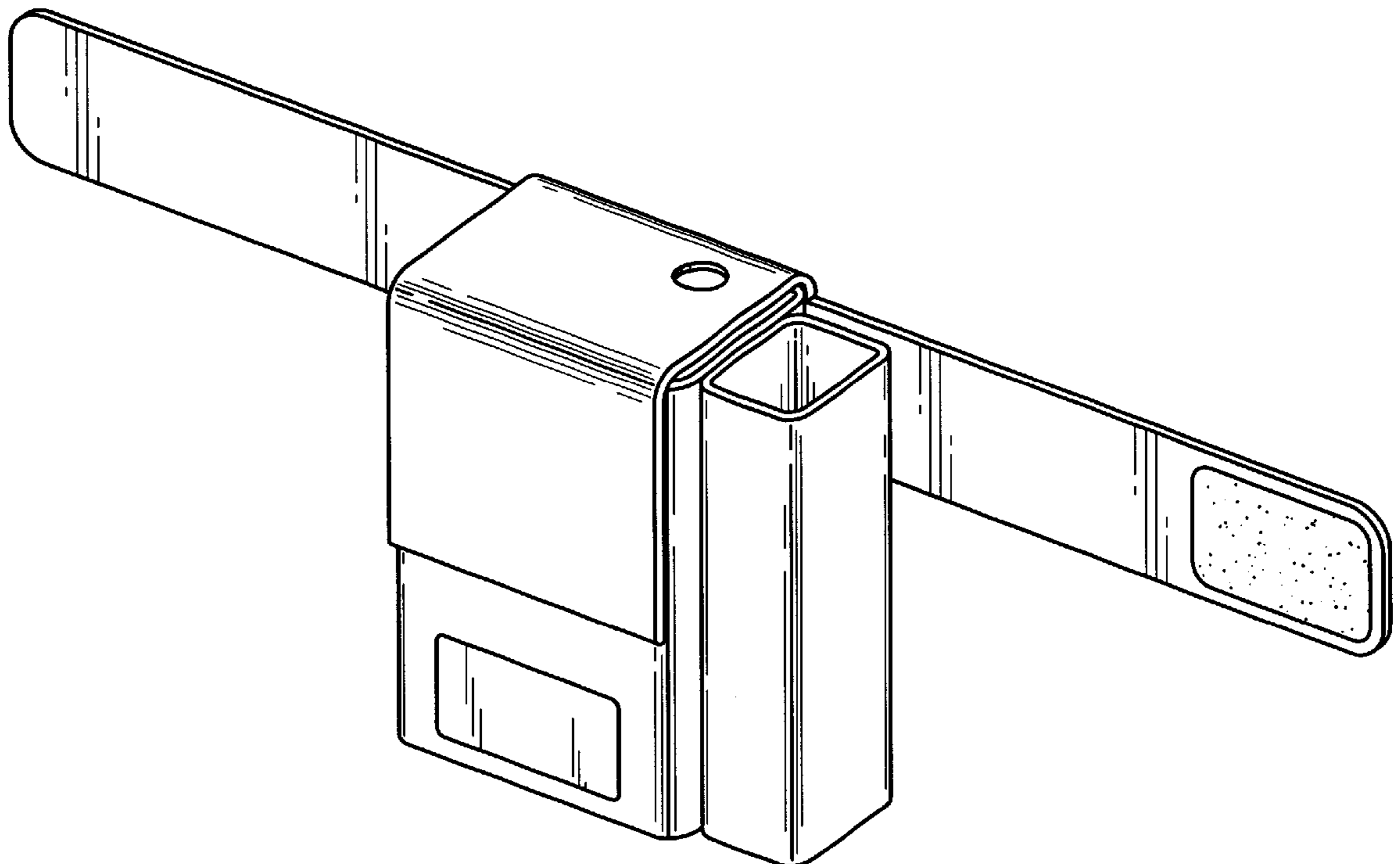
FIG. 5 is a top plan view thereof.

FIG. 6 is a bottom plan view thereof.

FIG. 7 is a right side elevational view thereof; and,

FIG. 8 is a left side elevational view thereof.

**1 Claim, 3 Drawing Sheets**



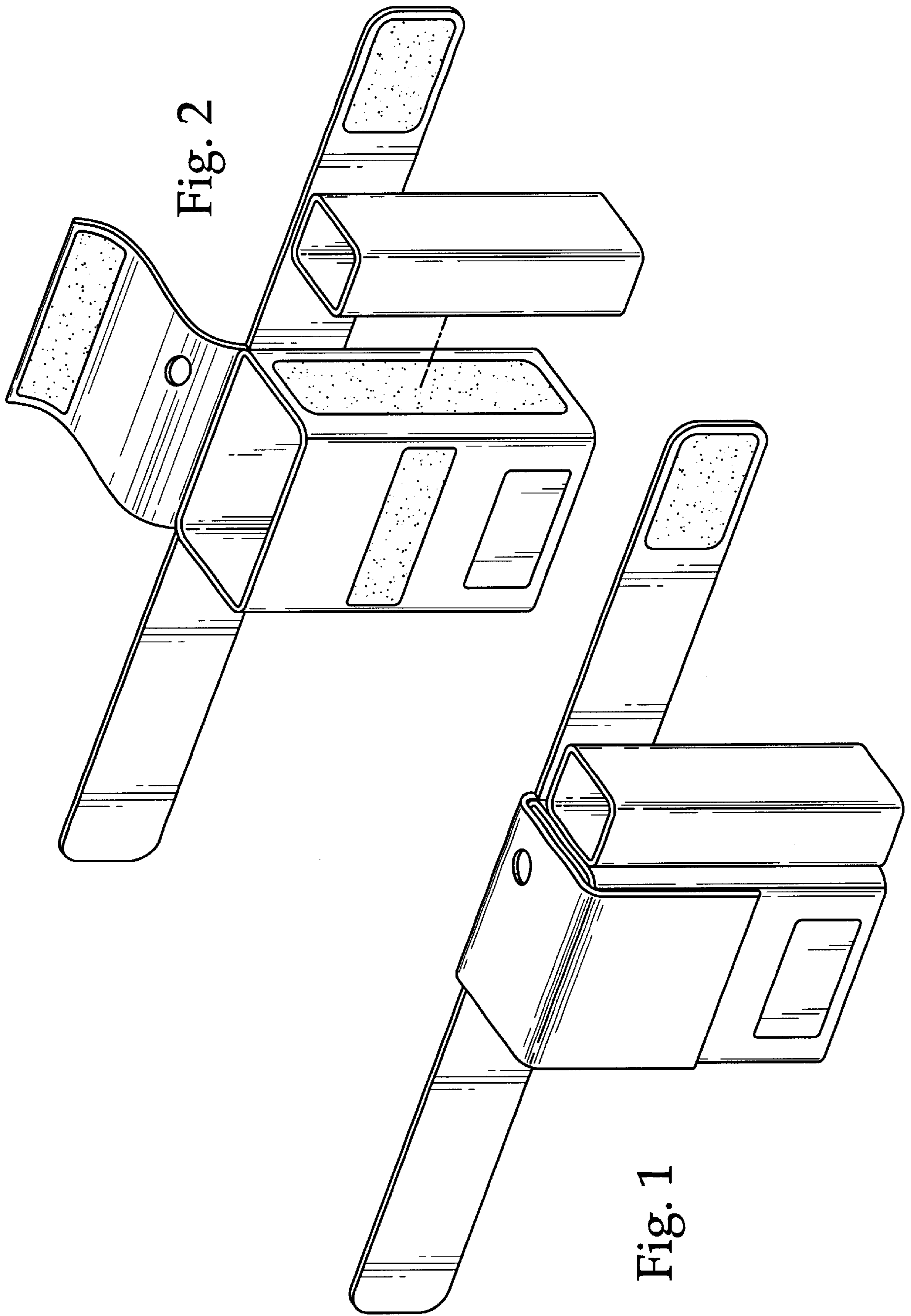
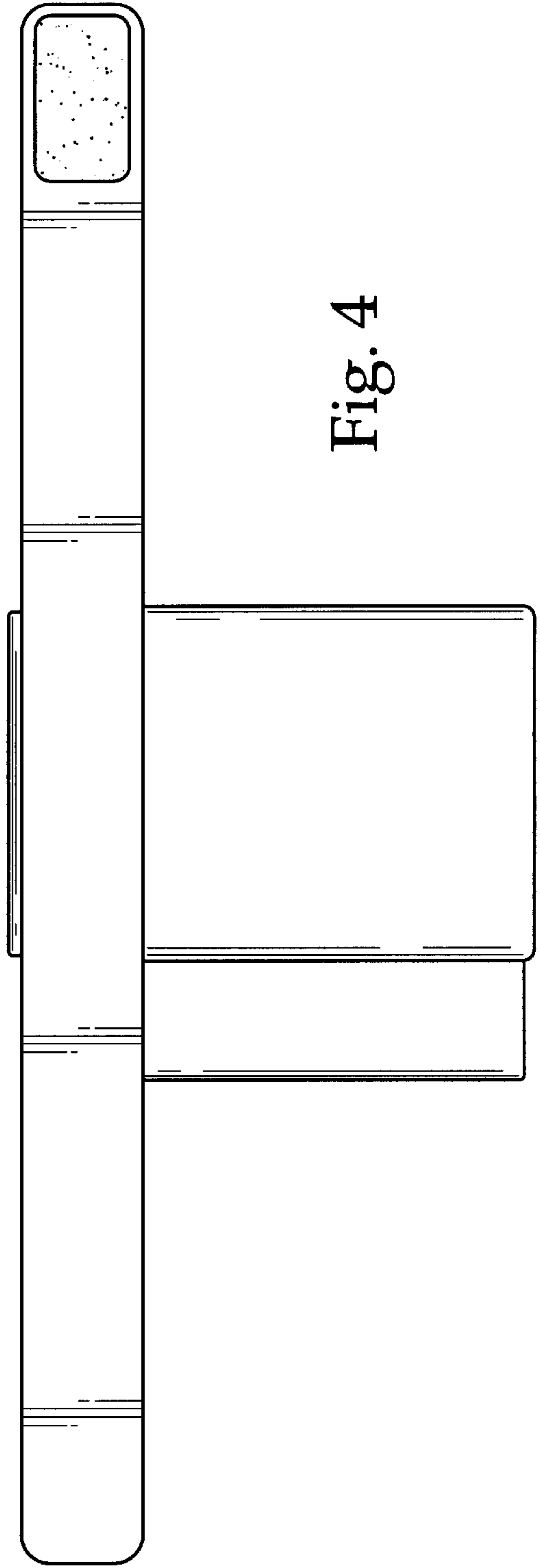
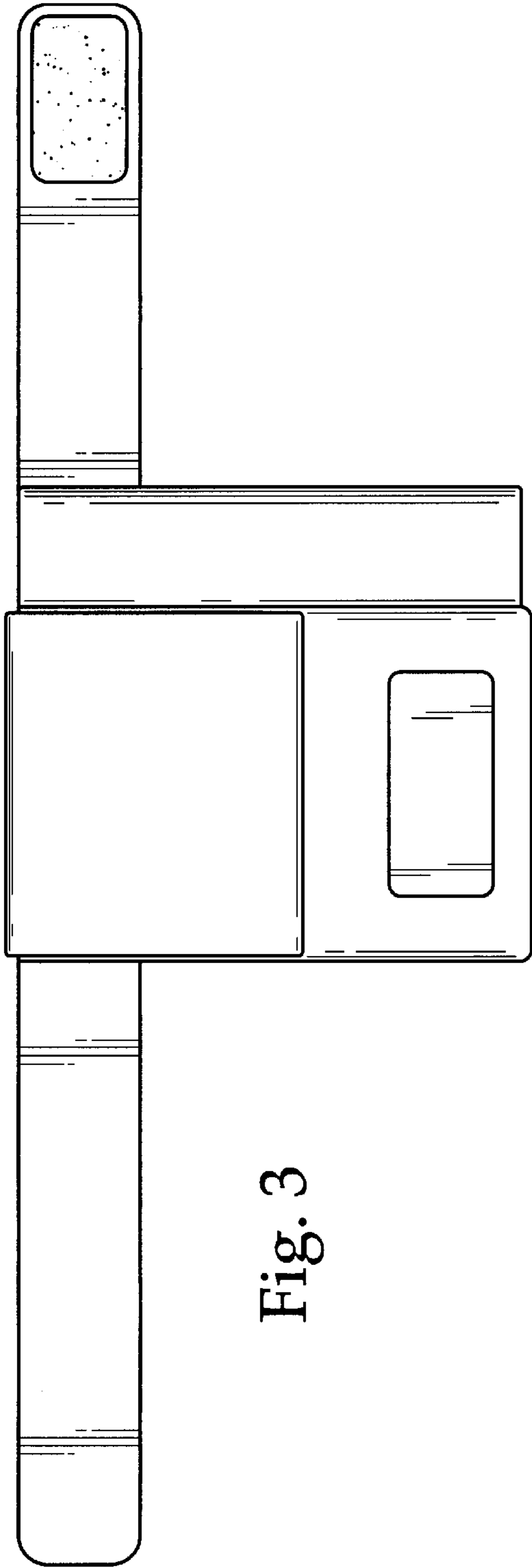


Fig. 2

Fig. 1



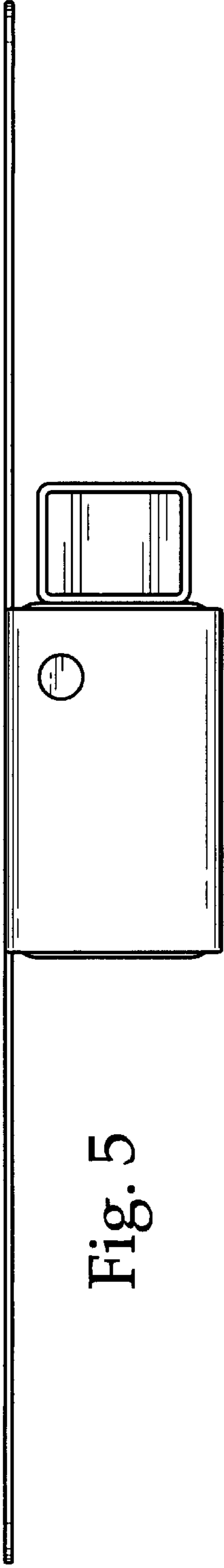


Fig. 5

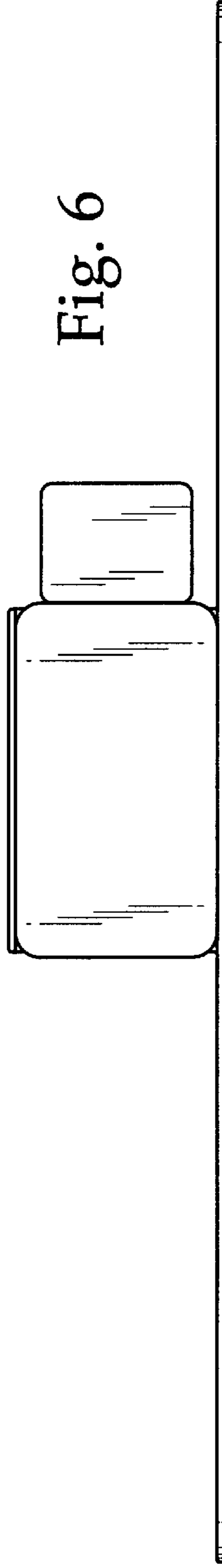


Fig. 6

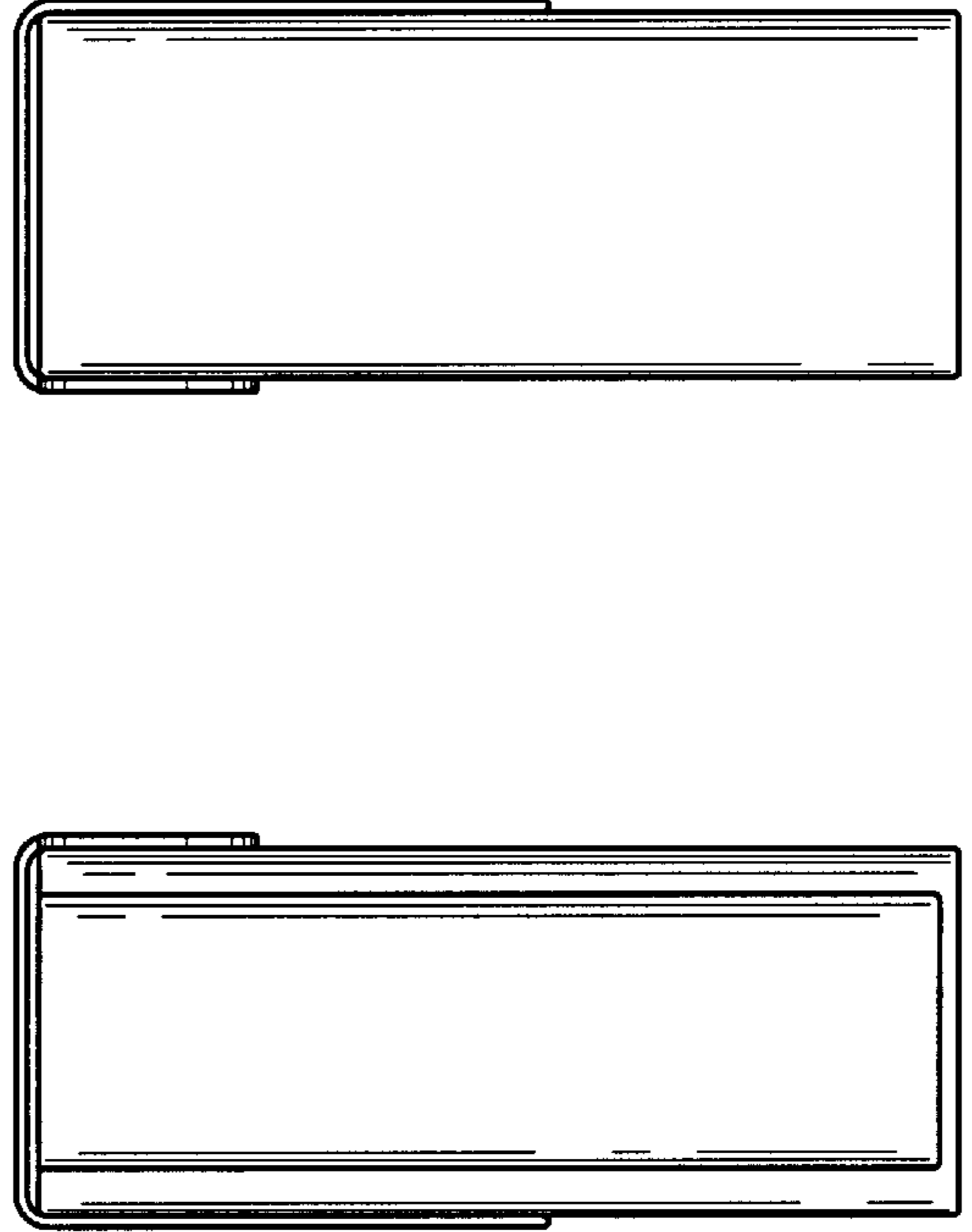


Fig. 7

Fig. 8

**Disclaimer**

**D. 455,255 S**—Michelle Zeigler, New York, NY (US). PORTABLE ELECTRONIC DEVICE CARRIER.  
Patent dated April 9, 2002. Disclaimer filed October 22, 2014, by the inventor.

Hereby disclaim complete claim of said patent.  
(*Official Gazette, February 24, 2015*)