



US00D455253S

(12) **United States Design Patent**
Byrne et al.

(10) **Patent No.:** **US D455,253 S**

(45) **Date of Patent:** **** Apr. 9, 2002**

(54) **STORAGE CONTAINER FOR
SELF-ADMINISTERED PAP TEST**

(75) Inventors: **James M. Byrne**, Massillon; **James N. Peterson**, North Canton, both of OH (US)

(73) Assignee: **Nexpak Corporation**, North Canton, OH (US)

(**) Term: **14 Years**

(21) Appl. No.: **29/141,934**

(22) Filed: **May 15, 2001**

(51) **LOC (7) Cl.** **03-01**

(52) **U.S. Cl.** **D3/203**

(58) **Field of Search** D3/203, 205, 215,
D3/219, 289, 290; 206/570, 581, 363; D24/174;
190/119; D6/631, 632

(56) **References Cited**

U.S. PATENT DOCUMENTS

2,648,366 A * 8/1953 Higbee et al. 206/570

D327,363 S * 6/1992 Farb 206/570 X

D359,163 S * 6/1995 Summerfield et al. D3/205

D431,902 S * 10/2000 Mellin D3/203

D445,626 S * 7/2001 Myszka et al. D6/629

* cited by examiner

Primary Examiner—Catherine R. Oliver

(74) *Attorney, Agent, or Firm*—Sand & Sebolt

(57) **CLAIM**

The ornamental design for storage container for self-administered pap test, as shown and described.

DESCRIPTION

FIG. 1 is a perspective view of a storage container for a self-administered pap test showing our new design;

FIG. 2 is a top plan view of FIG. 1.

FIG. 3 is a bottom plan view of FIG. 2.

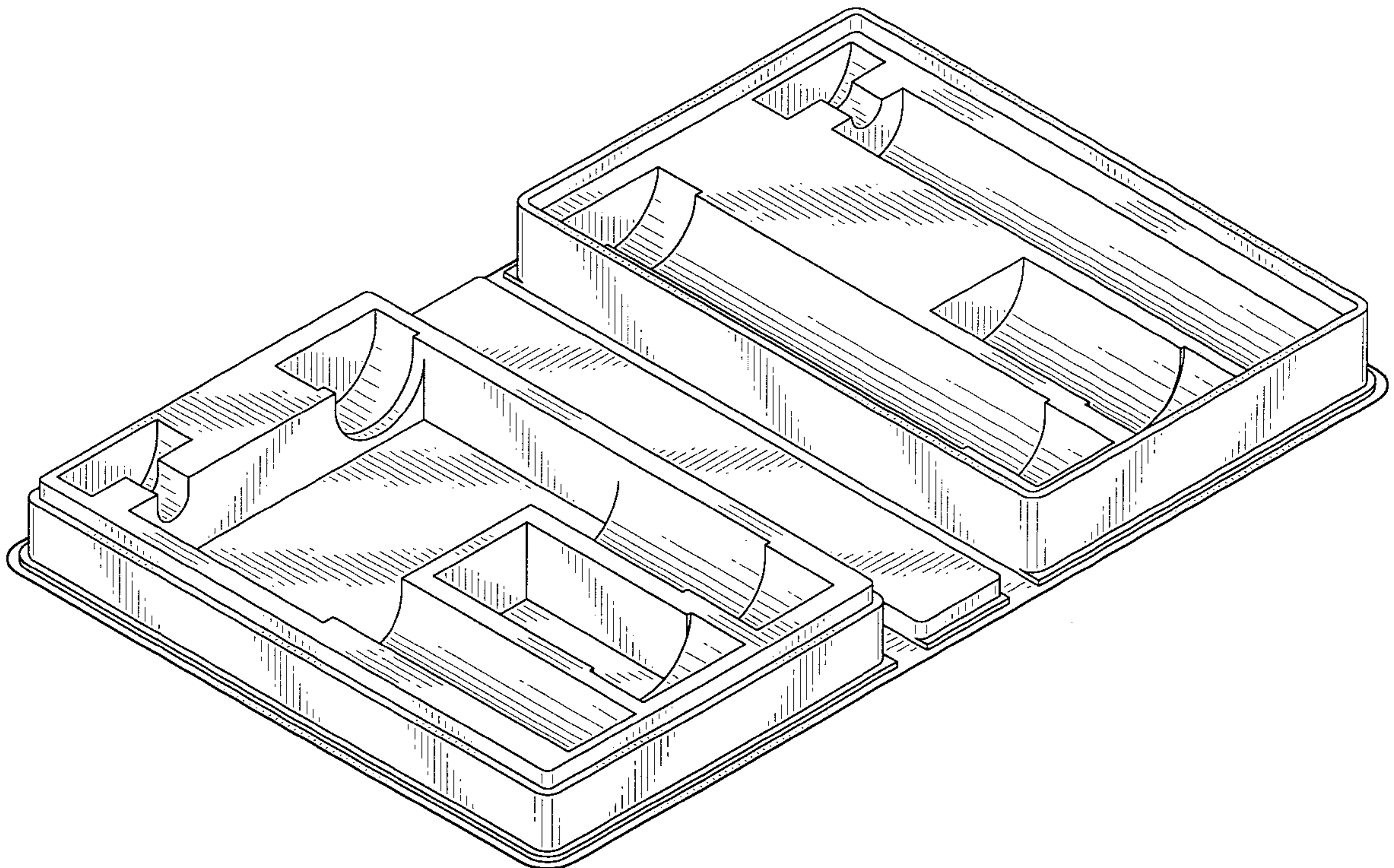
FIG. 4 is a front elevation view of FIG. 2.

FIG. 5 is a rear elevation view of FIG. 2.

FIG. 6 is a right side elevation view of FIG. 2; and,

FIG. 7 is a left side elevation view of FIG. 2.

1 Claim, 4 Drawing Sheets



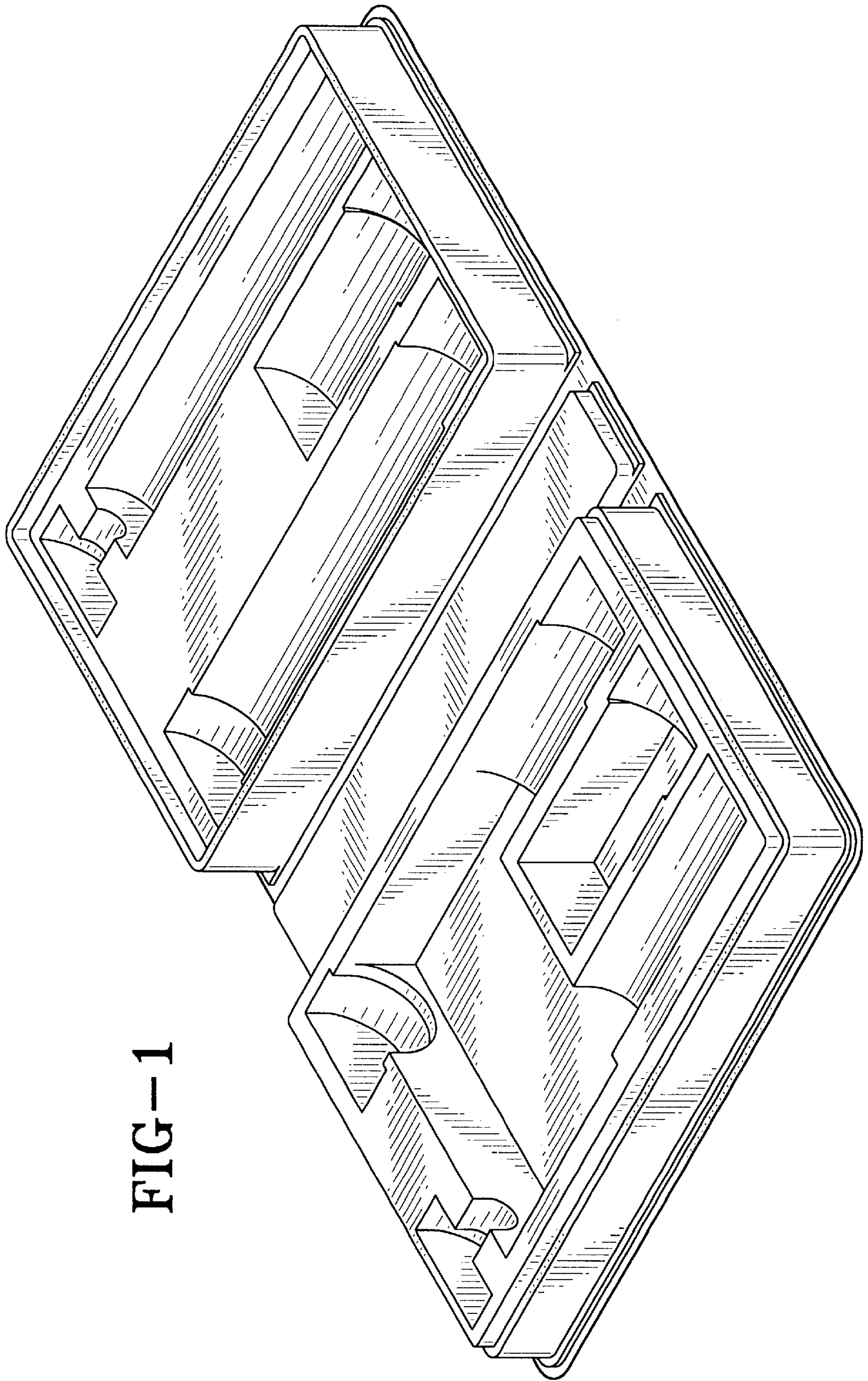


FIG-1

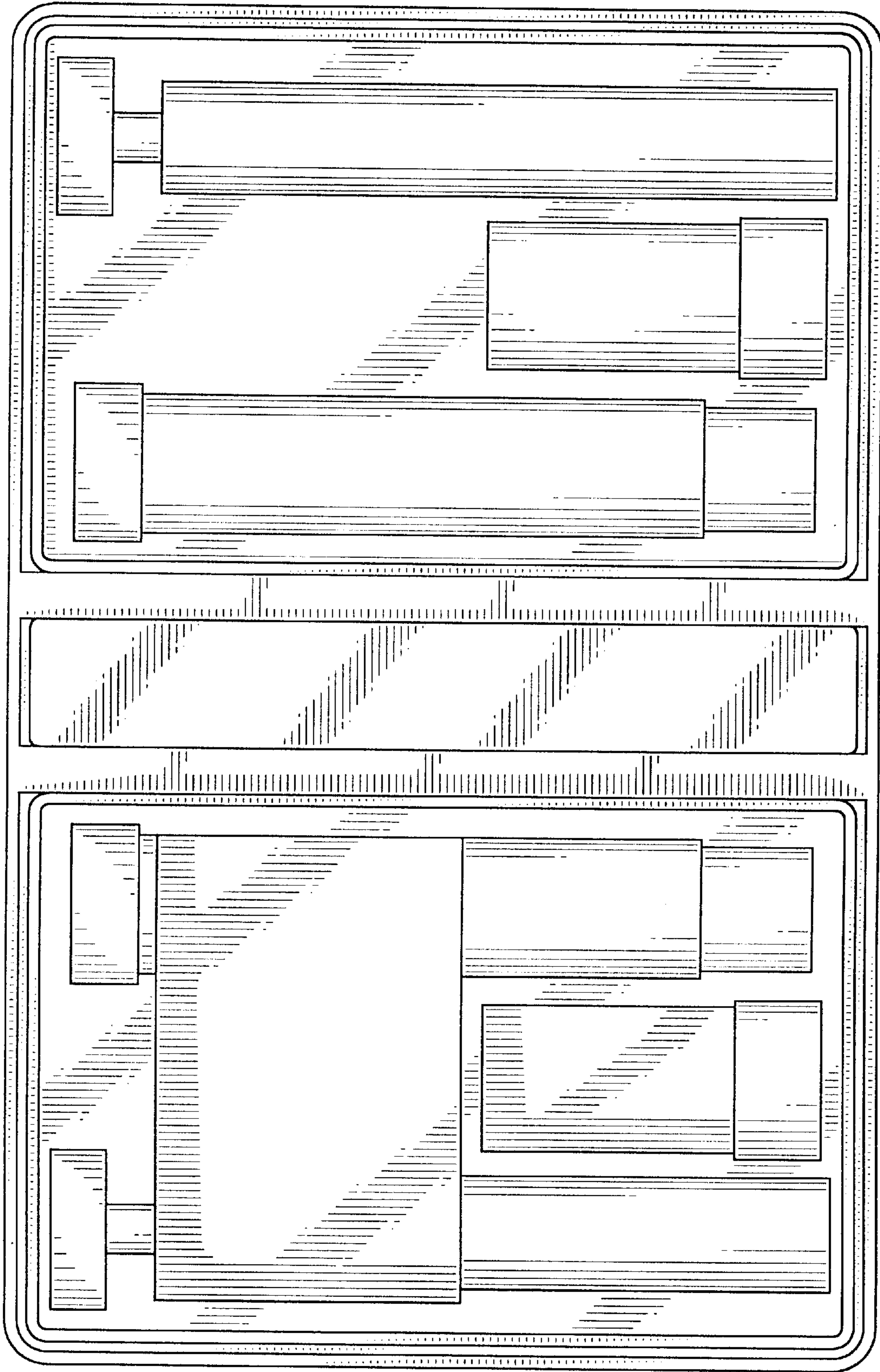


FIG-2

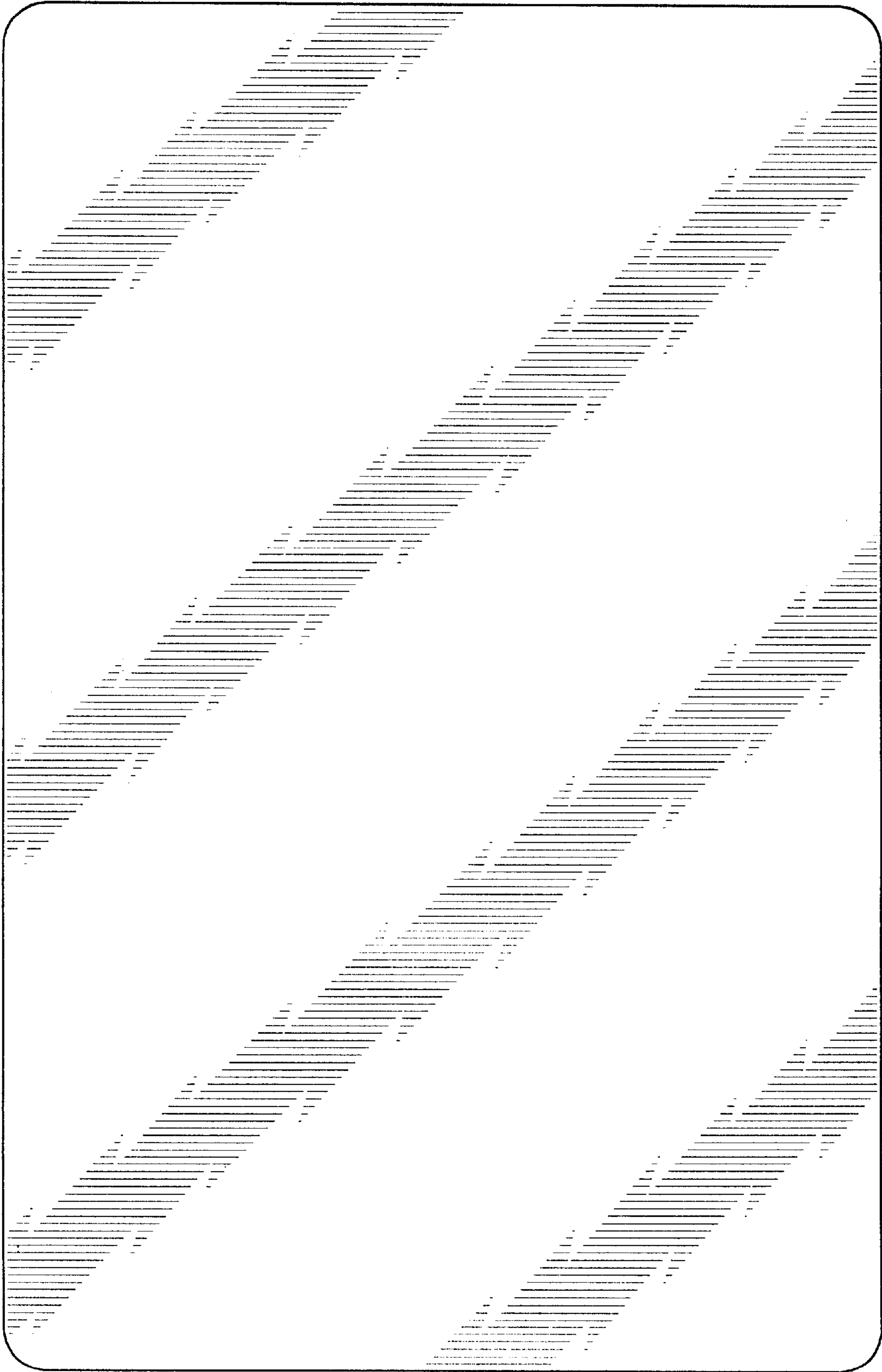


FIG-3

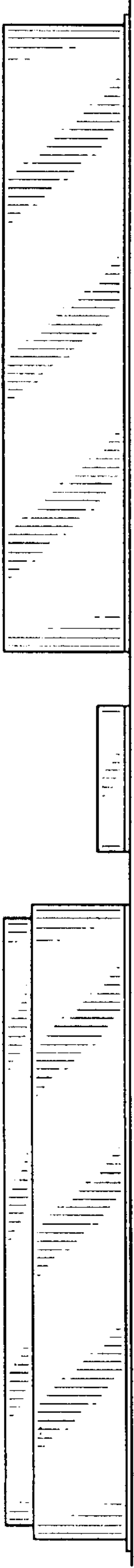


FIG-4

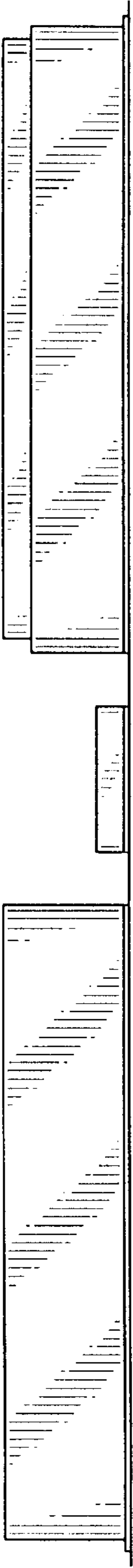


FIG-5

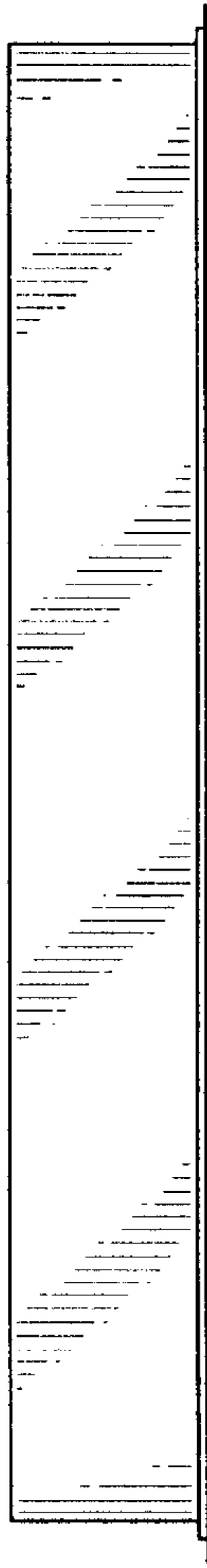


FIG-6

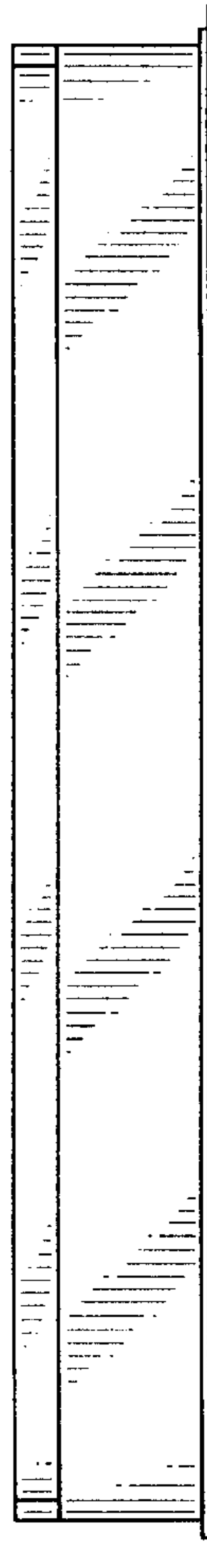


FIG-7