



US00D455252S

(12) **United States Design Patent**  
**Hagans, III et al.**

(10) **Patent No.:** **US D455,252 S**

(45) **Date of Patent:** **\*\* Apr. 9, 2002**

(54) **SHOE AND BOOT SUPPORT STAND FOR USE DURING POLISHING**

2,991,495 A \* 7/1961 Blalack ..... D3/200  
D265,677 S \* 8/1982 O'connell ..... D8/71  
D341,259 S \* 11/1993 Mele ..... D6/353  
D350,888 S \* 9/1994 Perry ..... D8/71

(76) Inventors: **Cooper Hagans, III; Bessie Hagans,**  
both of 22528 Ridgewater Way, Moreno  
Valley, CA (US) 92557

\* cited by examiner

(\*\*) Term: **14 Years**

*Primary Examiner*—Lucy Lieberman  
(74) *Attorney, Agent, or Firm*—Goldstein Law Offices, P.C.

(21) Appl. No.: **29/144,736**

(57) **CLAIM**

(22) Filed: **Jul. 10, 2001**

The ornamental design for a shoe and boot support stand for use during polishing, as shown and described.

(51) **LOC (7) Cl.** ..... **03-01**

**DESCRIPTION**

(52) **U.S. Cl.** ..... **D3/200; D6/353**

FIG. 1 is a perspective view of a shoe and boot support stand for use during polishing.

(58) **Field of Search** ..... D3/200; D6/396,

D6/397, 400, 349, 353, 419, 411, 420,

429; 297/423.14, 423.41, 423.45; 248/176.3,

157; D8/71; D24/212, 213

FIG. 2 is a front elevational view thereof.

FIG. 3 is a rear elevational view thereof.

FIG. 4 is a left side elevational view thereof.

FIG. 5 is a right side elevational view thereof.

FIG. 6 is a top plan view thereof; and,

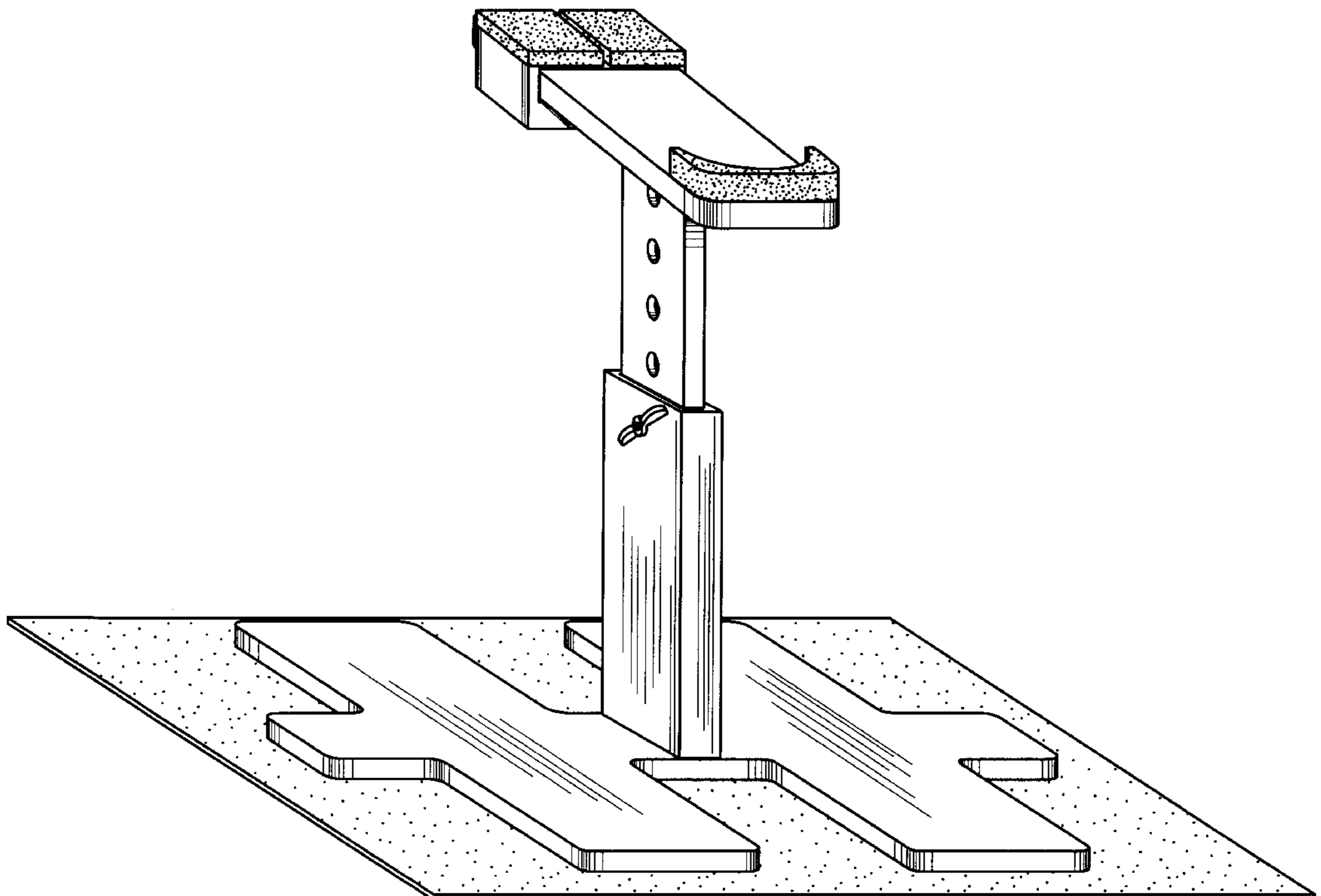
FIG. 7 is a bottom plan view thereof.

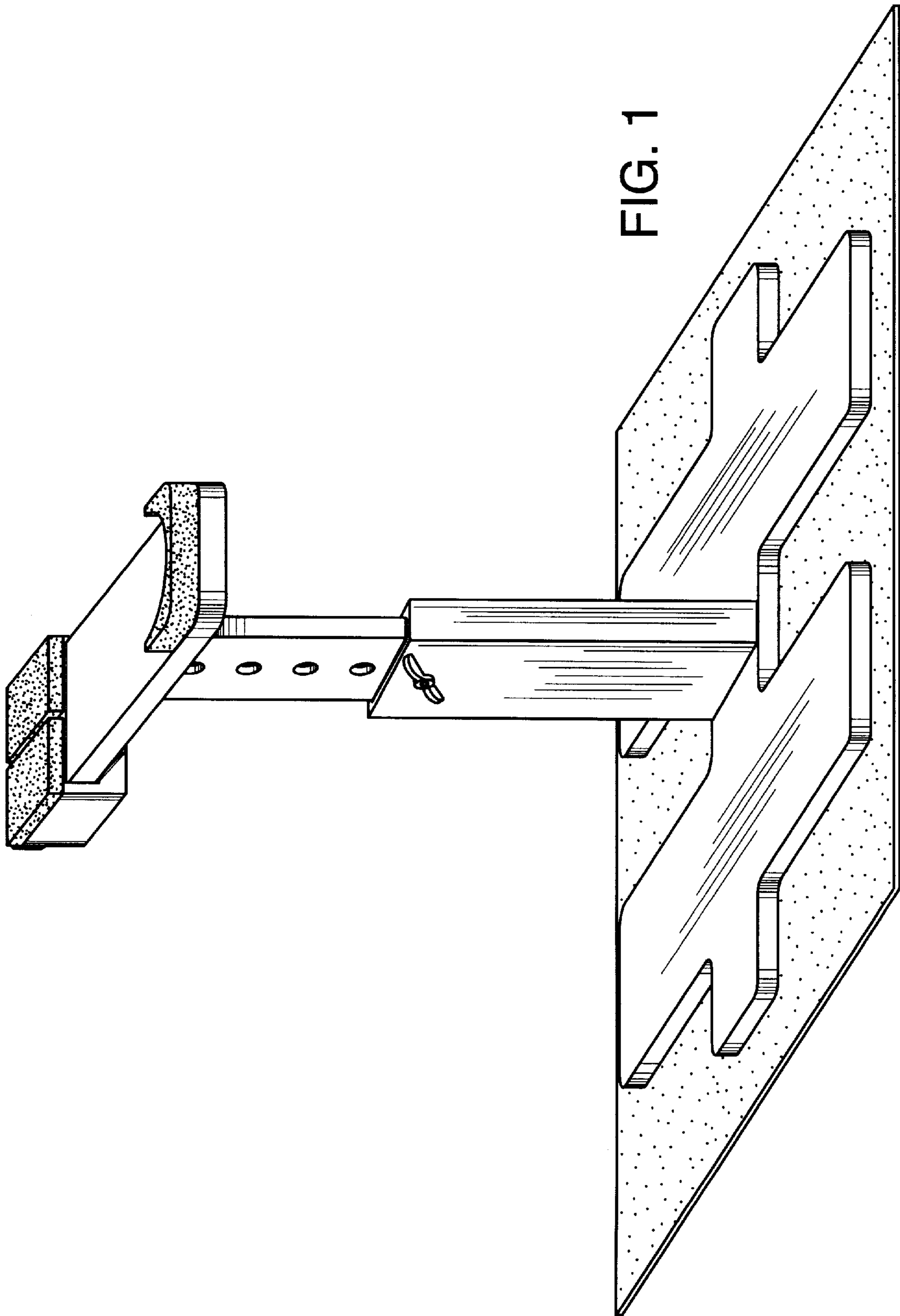
(56) **References Cited**

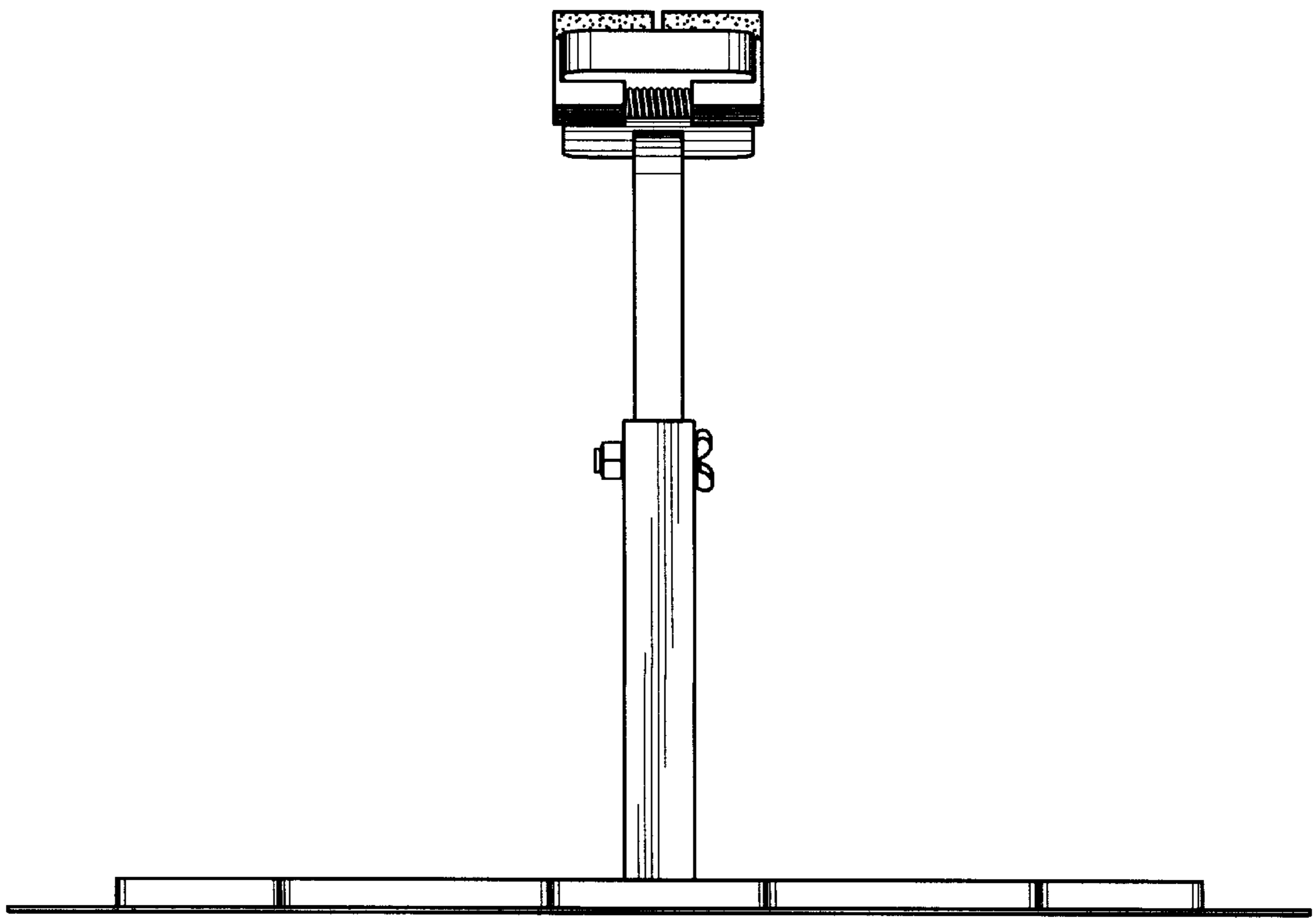
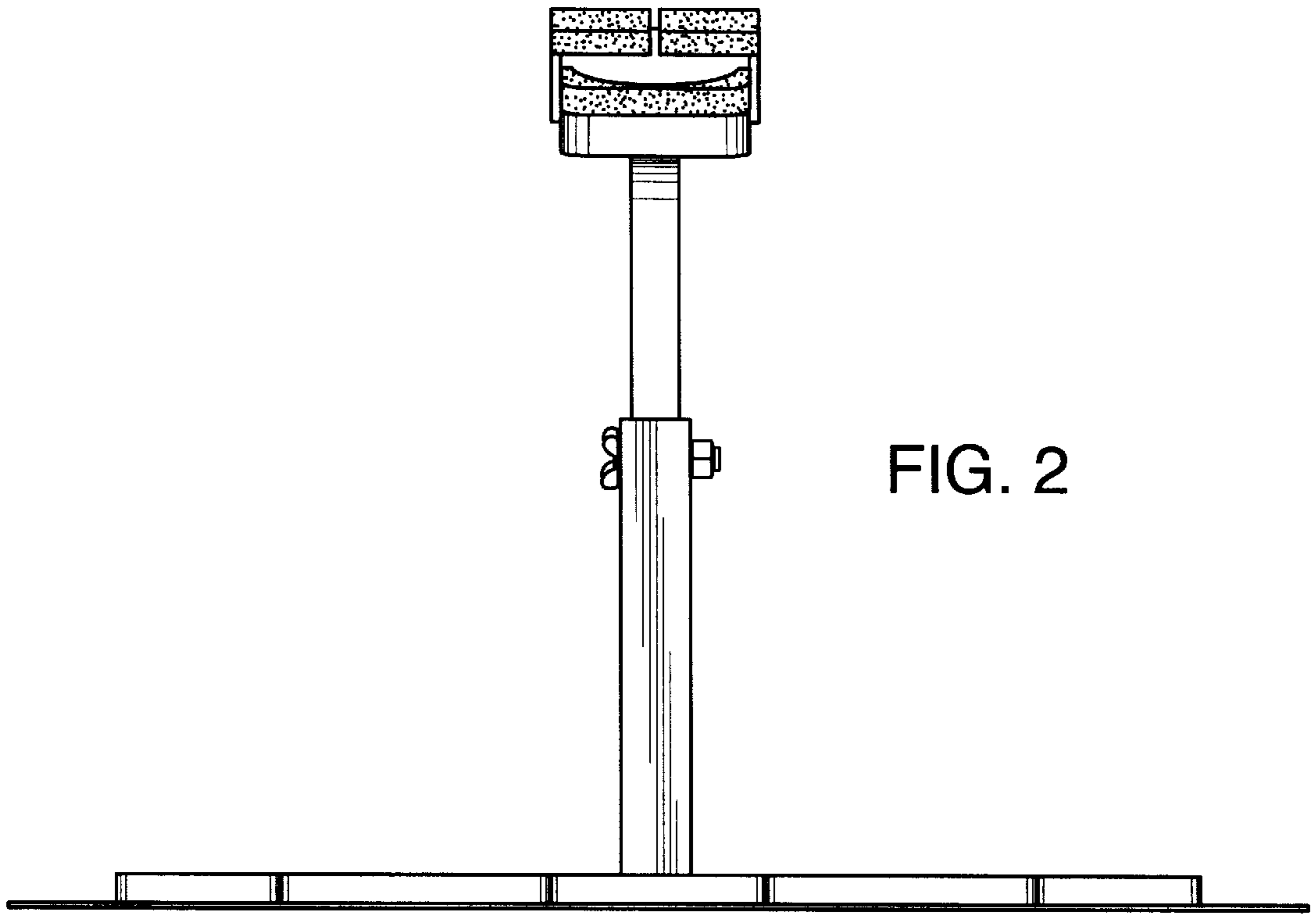
**U.S. PATENT DOCUMENTS**

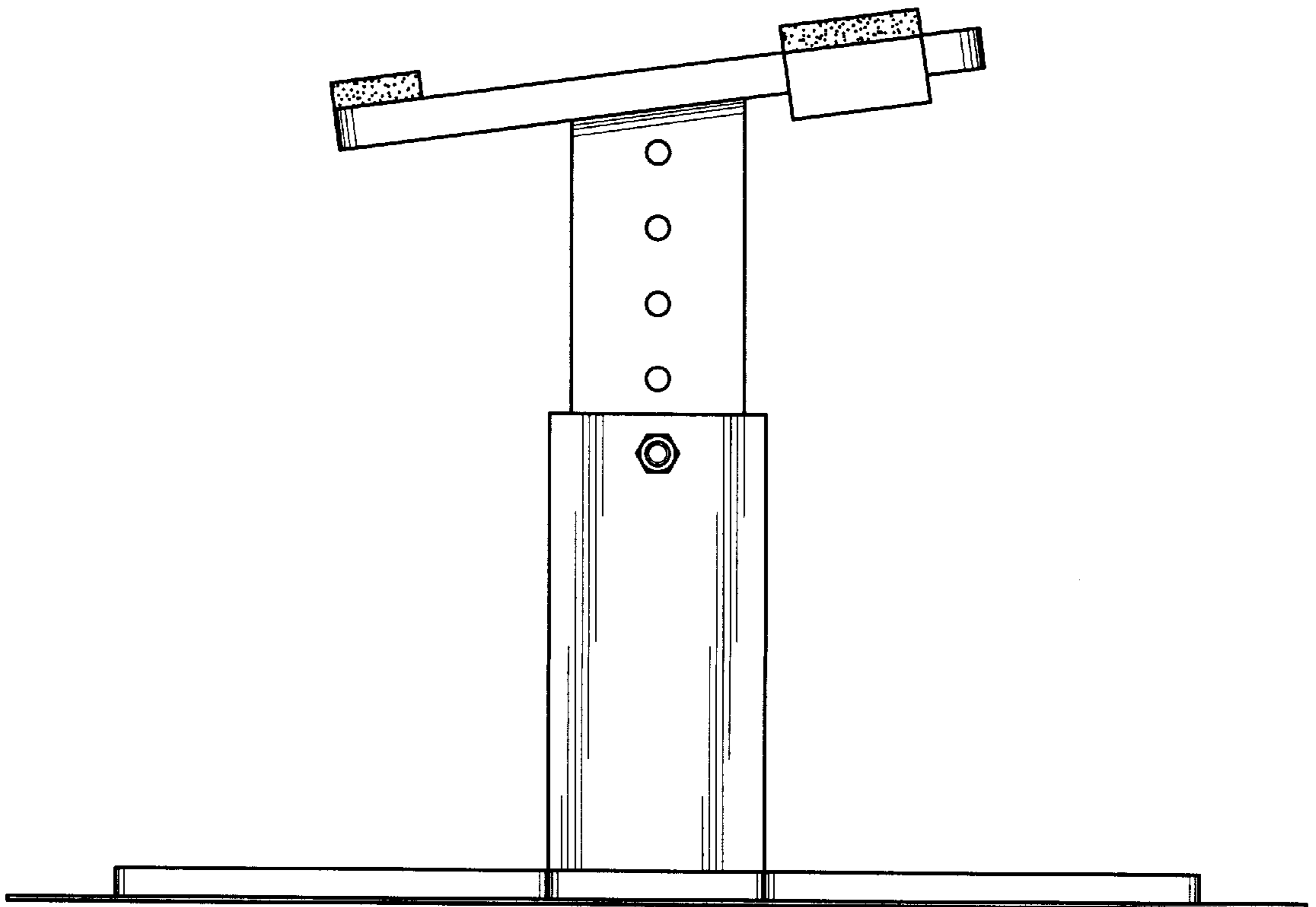
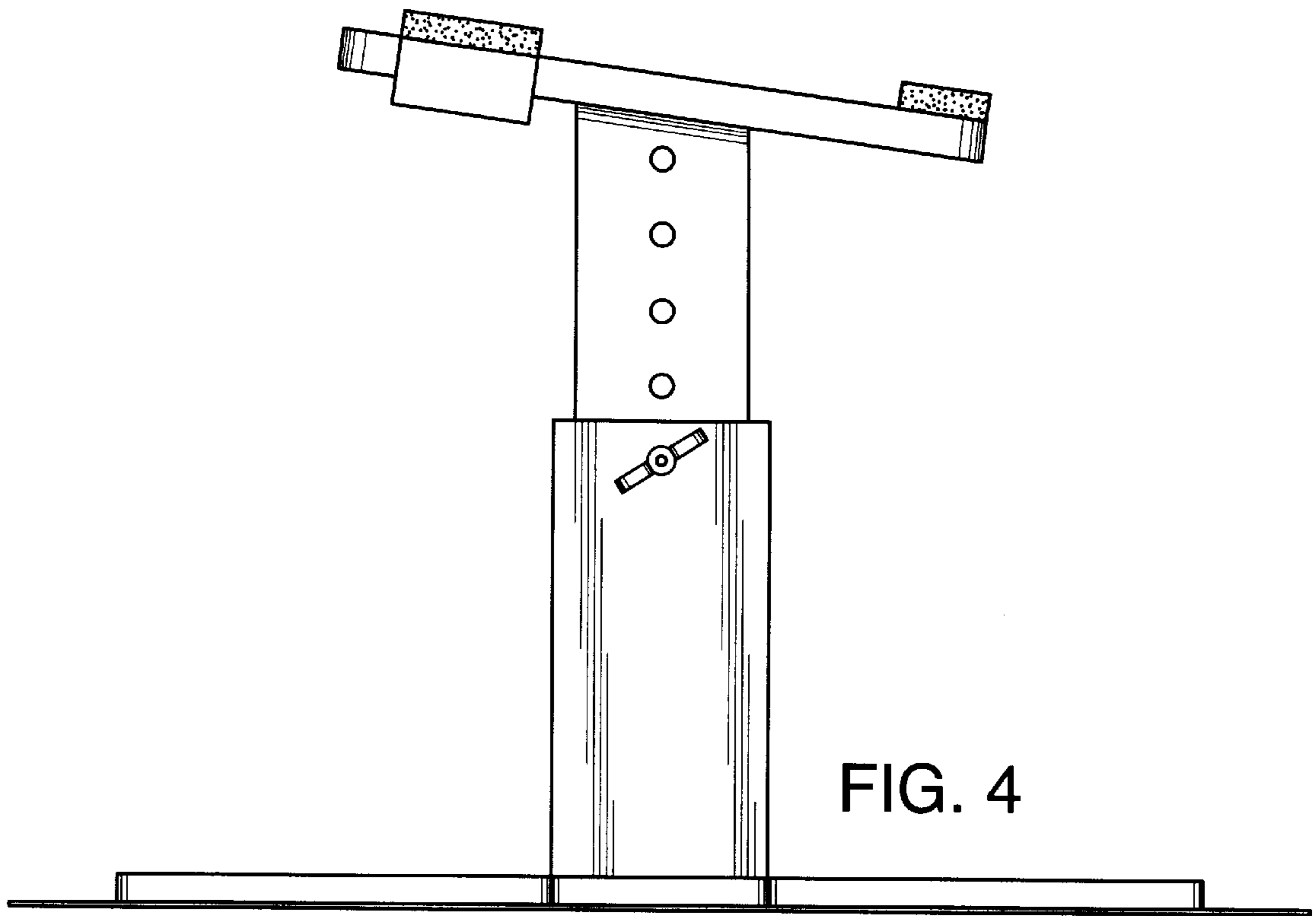
D48,826 S \* 4/1916 Knowles ..... D3/200  
D167,675 S \* 9/1952 Chancellor ..... D6/353

**1 Claim, 5 Drawing Sheets**









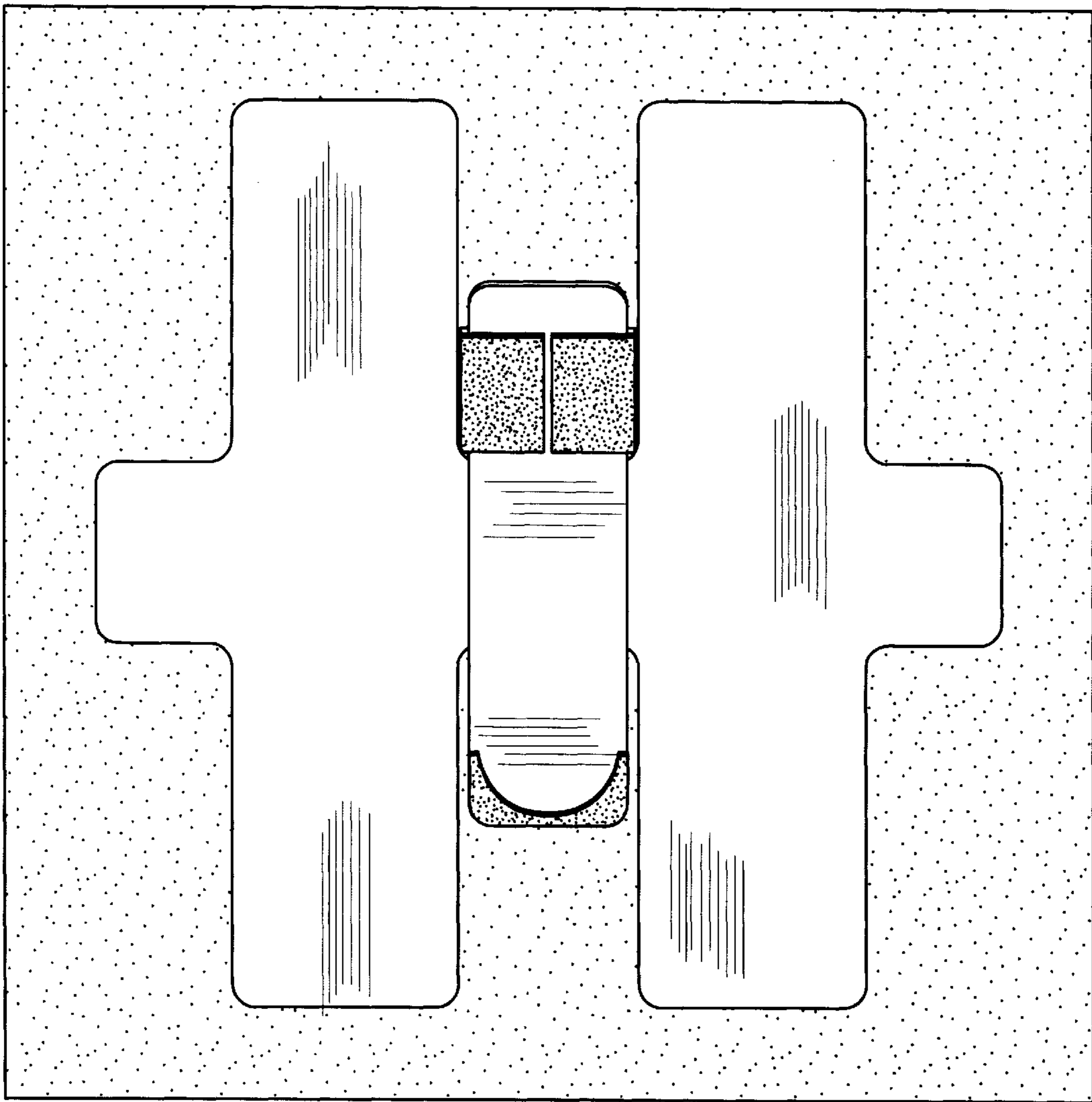


FIG. 6

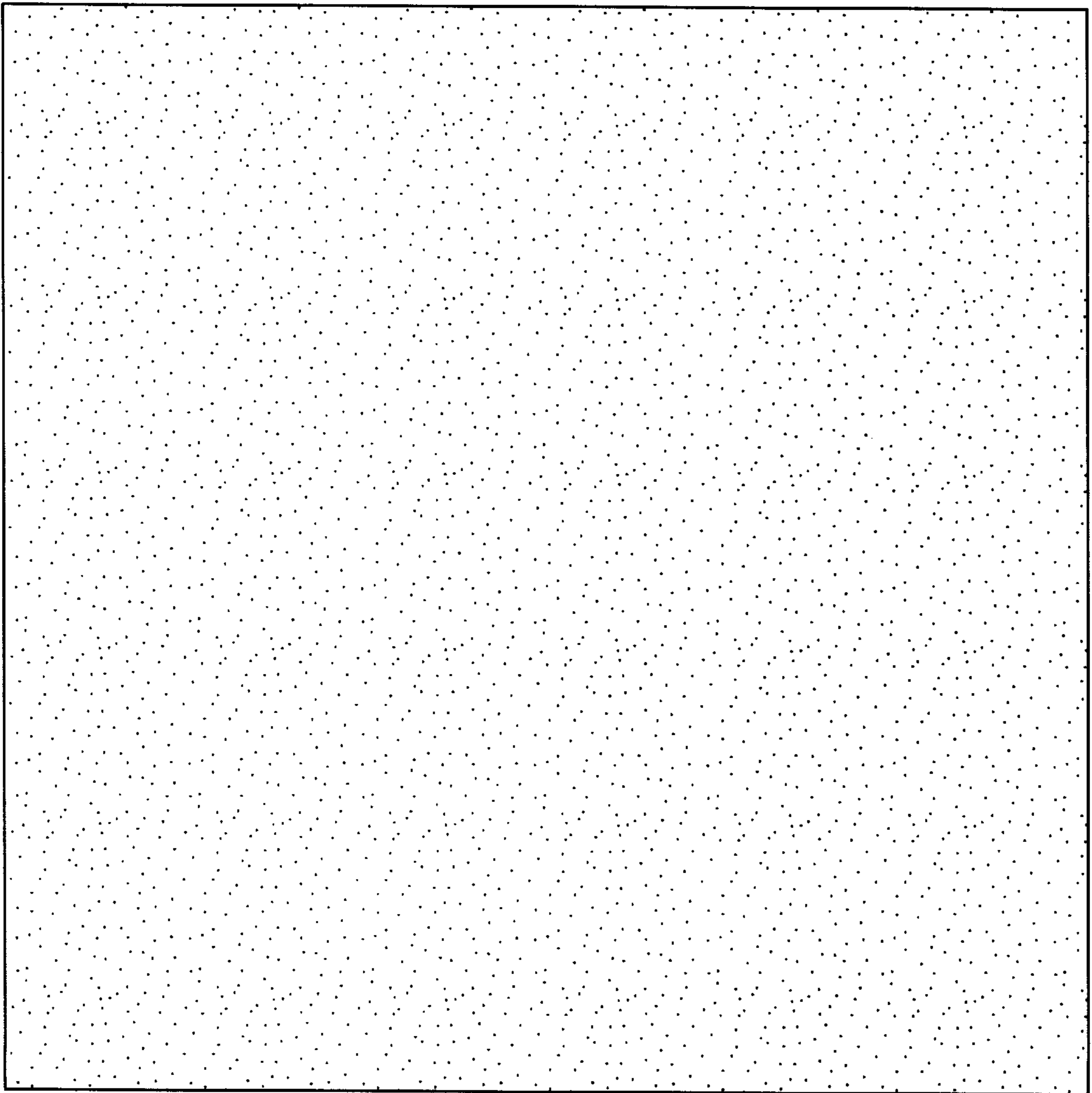


FIG. 7