



US00D455247S

(12) **United States Design Patent**
DeChambeau

(10) **Patent No.:** **US D455,247 S**

(45) **Date of Patent:** **** Apr. 9, 2002**

(54) **BILLED CAP WITH ELASTICIZED GOLF TEE HOLDER**

D436,641 S 1/2001 Dodd et al.
6,185,748 B1 * 2/2001 DeChambeau 2/195.1
D439,728 S * 4/2001 Smith D2/876

(76) Inventor: **Patricia L. DeChambeau**, 134 Peabody St., Gardner, MA (US) 01440

* cited by examiner

(**) Term: **14 Years**

Primary Examiner—Paula A. Mortimer
(74) *Attorney, Agent, or Firm*—Mark P. White

(21) Appl. No.: **29/141,850**

(57) **CLAIM**

(22) Filed: **May 14, 2001**

The ornamental design for my billed cap with elasticized golf tee holder, as shown and described.

(51) **LOC (7) Cl.** **02-03**

(52) **U.S. Cl.** **D2/866**

(58) **Field of Search** D2/865, 866, 868, D2/869, 872, 873, 876, 879, 882, 884, 891, 886, 893; 2/171, 171.1, 171.3, 171.7, 181, 195.1, 195.5, 209.13; 224/181; 362/106

DESCRIPTION

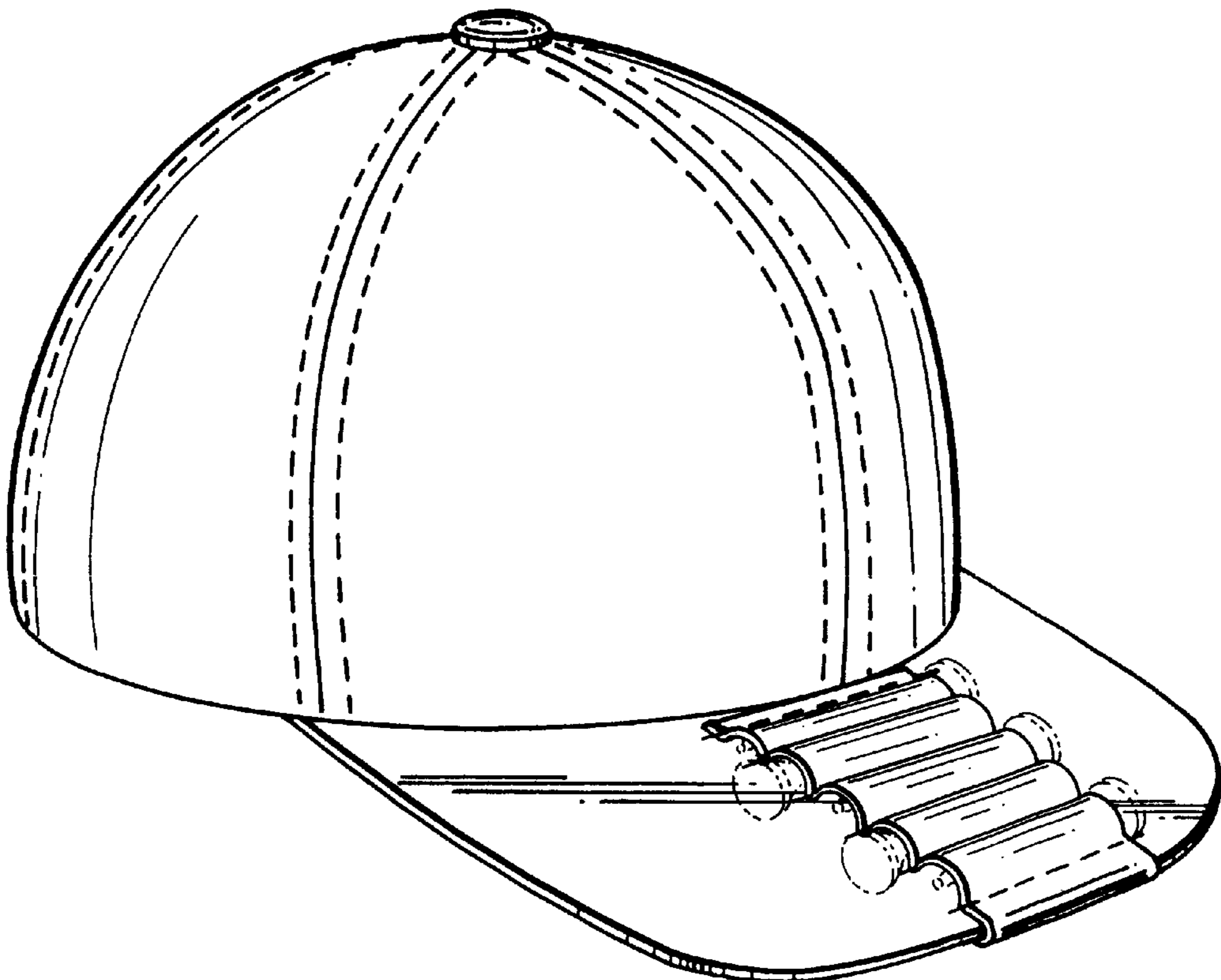
(56) **References Cited**

U.S. PATENT DOCUMENTS

1,664,255	A	*	3/1928	Lesser	2/195.5
D160,404	S	*	10/1950	Levine	D2/866
4,386,437	A	*	6/1983	Fosher	2/209.13
D285,141	S		8/1986	Whisman		
D384,488	S		10/1997	Kaufman		
D396,738	S	*	8/1998	Territo	D2/866
D404,541	S		1/1999	Danza		
5,860,167	A	*	1/1999	Lizio	2/209.13
5,996,116	A	*	12/1999	Tate	2/209.13 X

FIG. 1 is a perspective view of the billed cap, showing several golf tees inserted under the elasticized band attached to the bill;
FIG. 2 is a front elevation view thereof;
FIG. 3 is a rear elevation view thereof;
FIG. 4 is a side elevation view thereof;
FIG. 5 is a side elevation view, thereof, viewed from the side opposite FIG. 4;
FIG. 6 is a top plan view thereof; and,
FIG. 7 is a bottom plan view thereof.
The broken line showing of the golf tees in FIGS. 1,2,4,5, and 6 is for illustrative purposes only and forms no part of the claimed design.

1 Claim, 7 Drawing Sheets



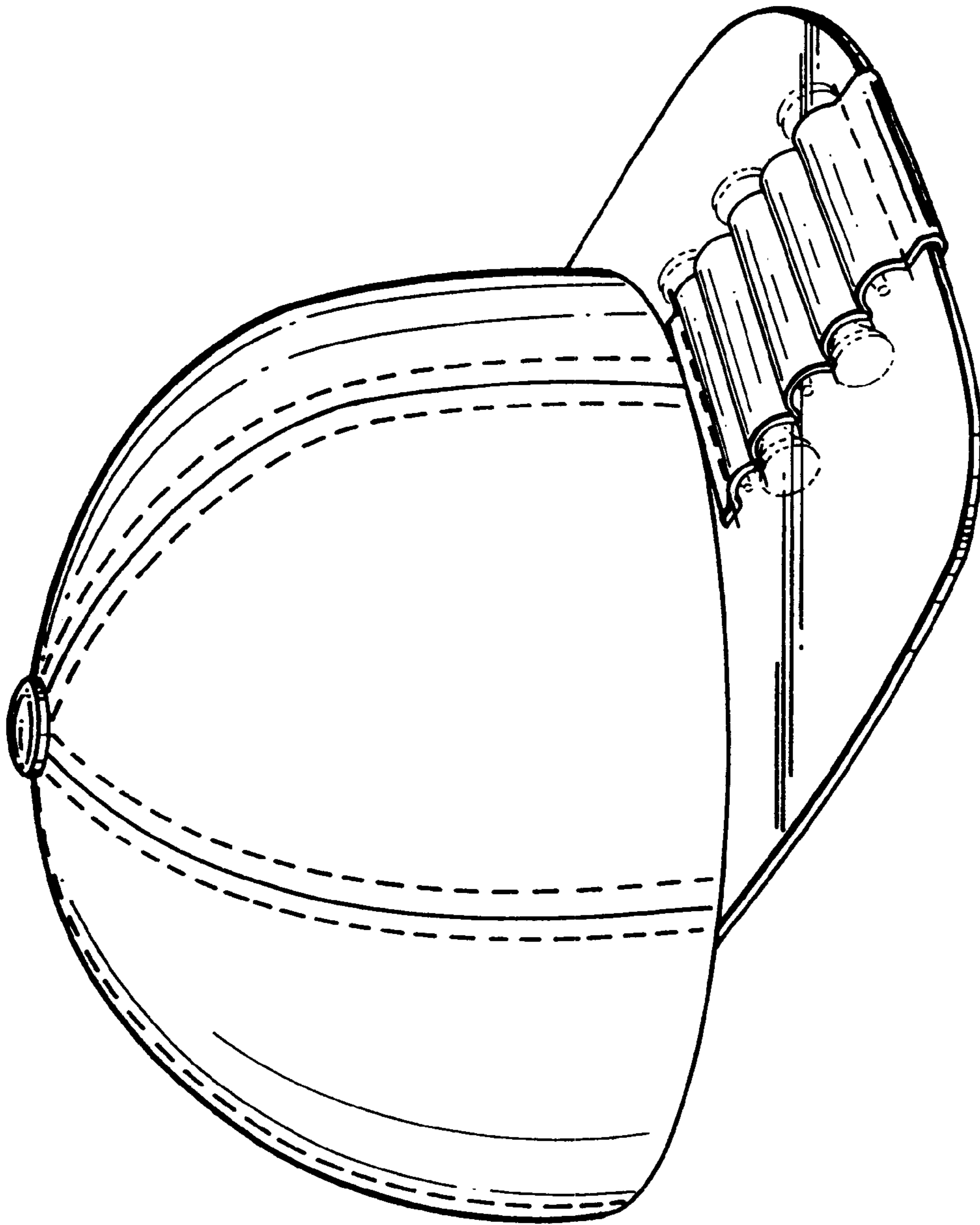


FIG. 1

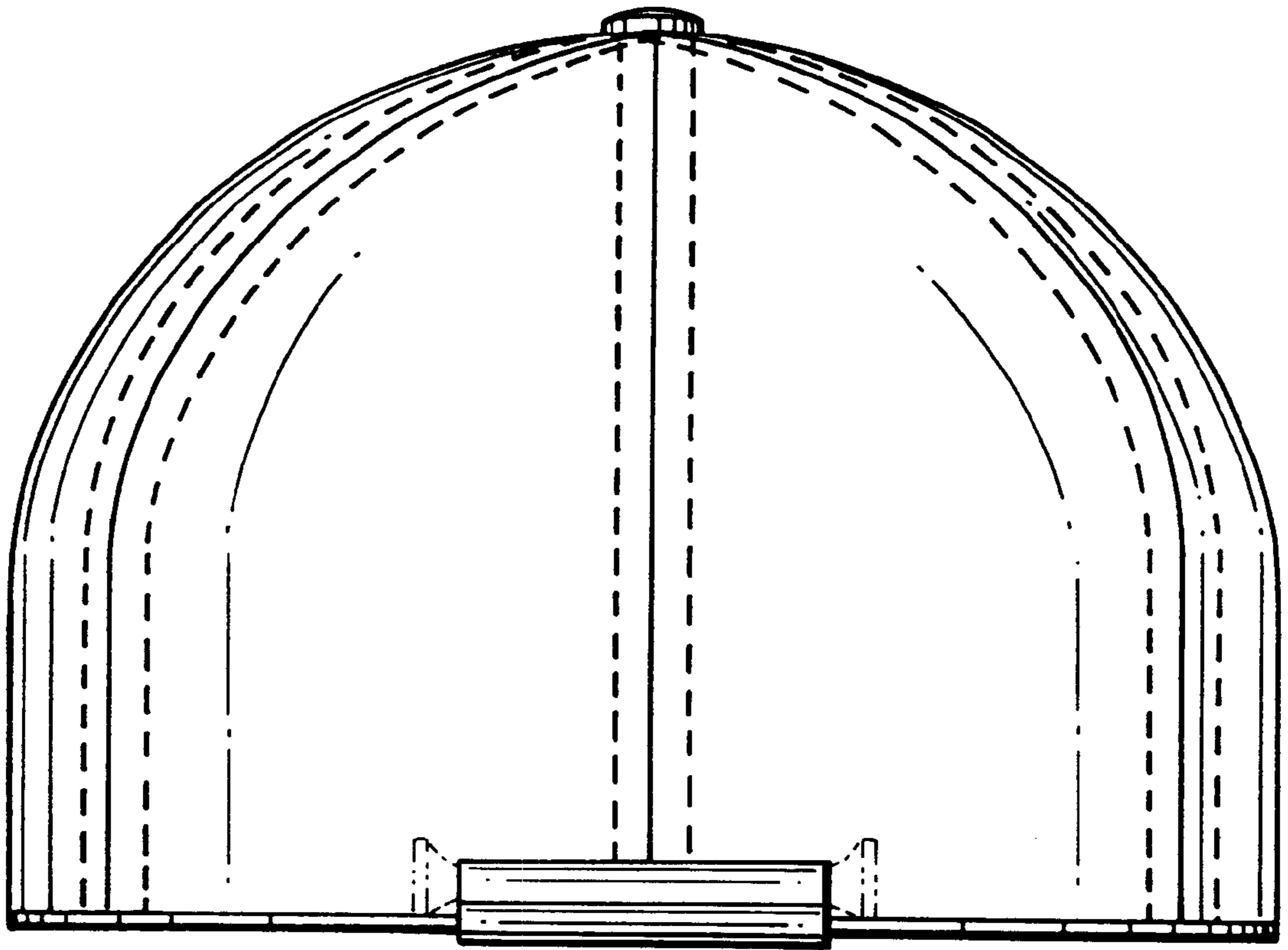


FIG. 2

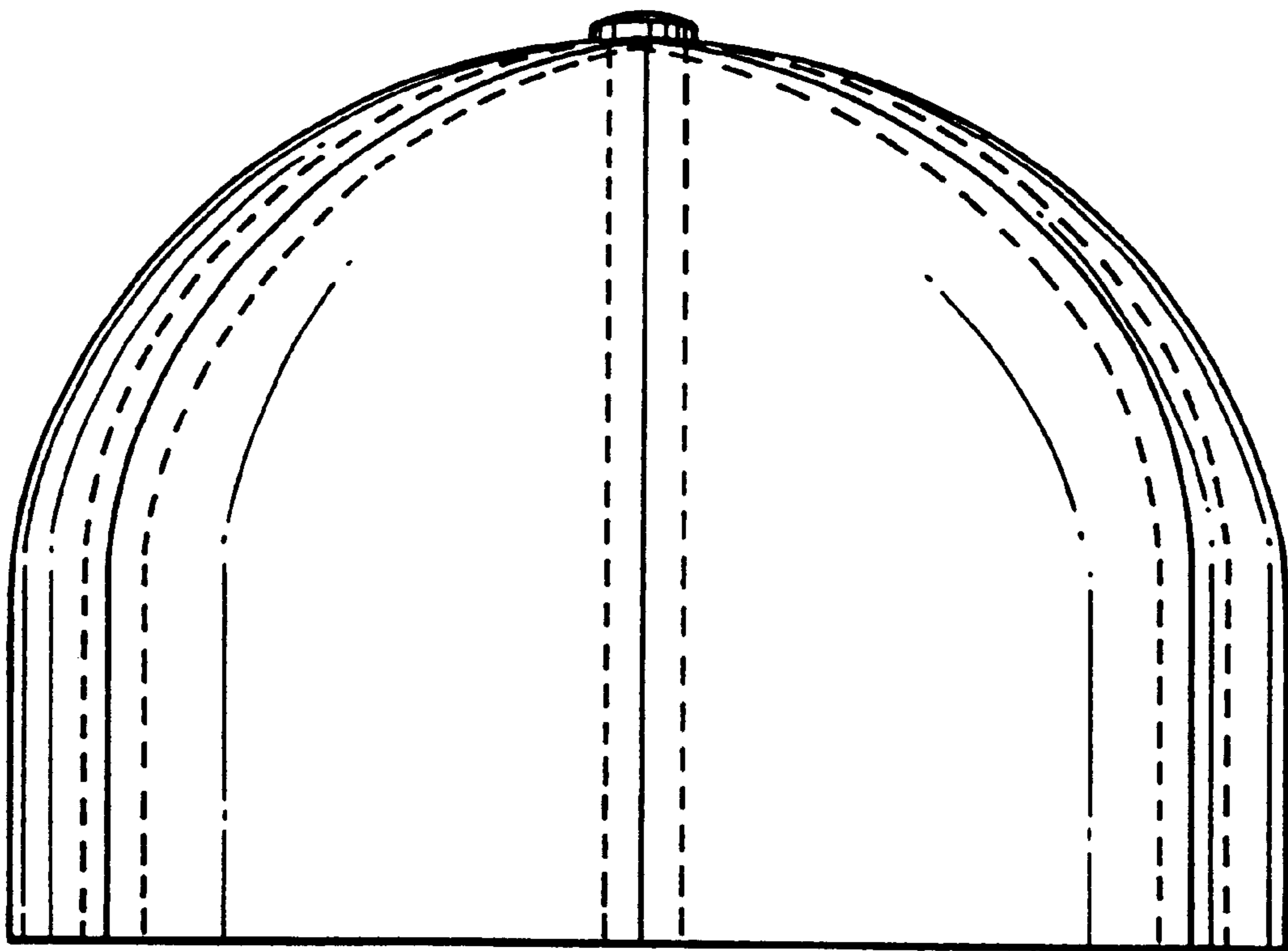


FIG. 3

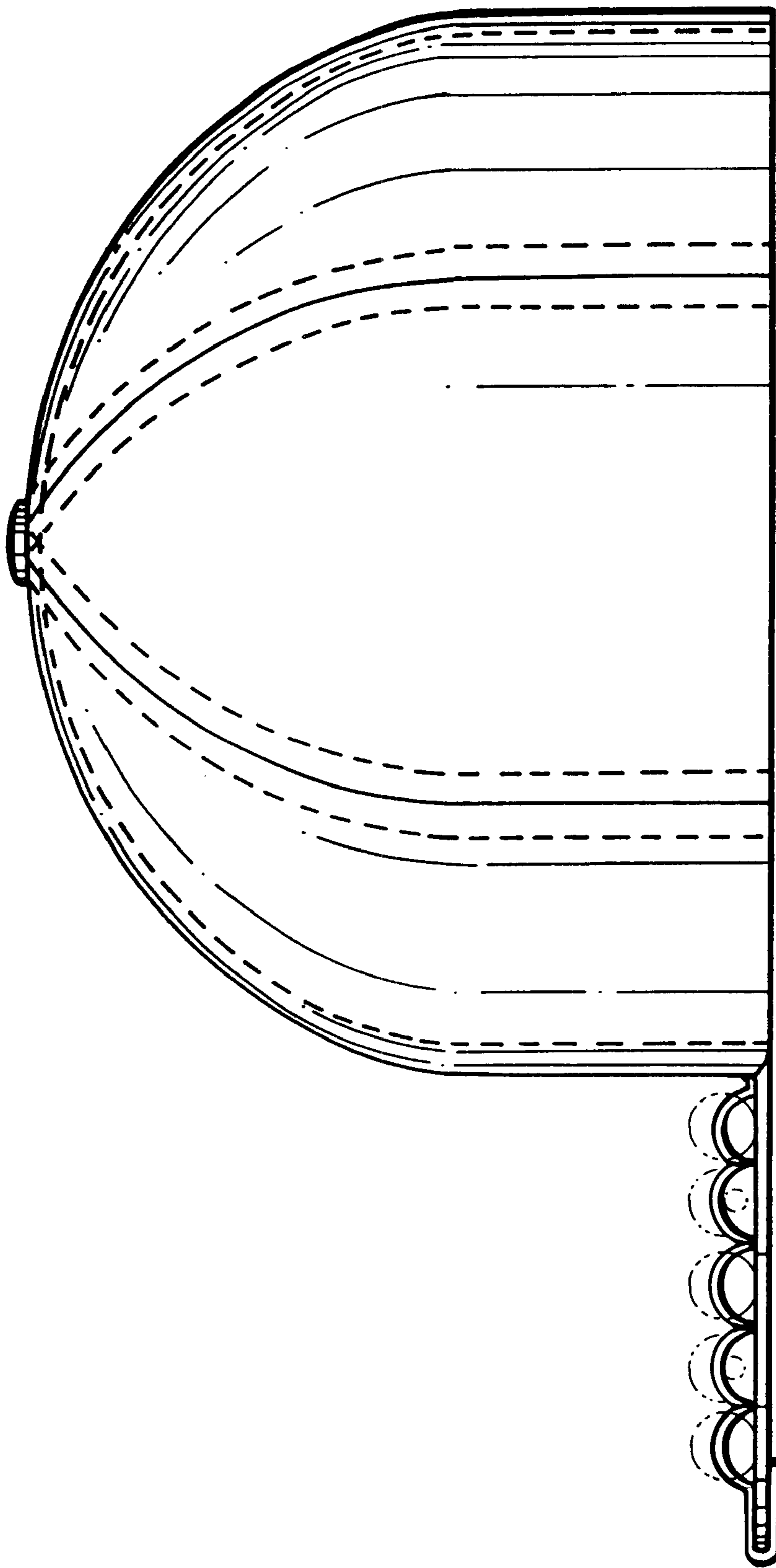


FIG. 4

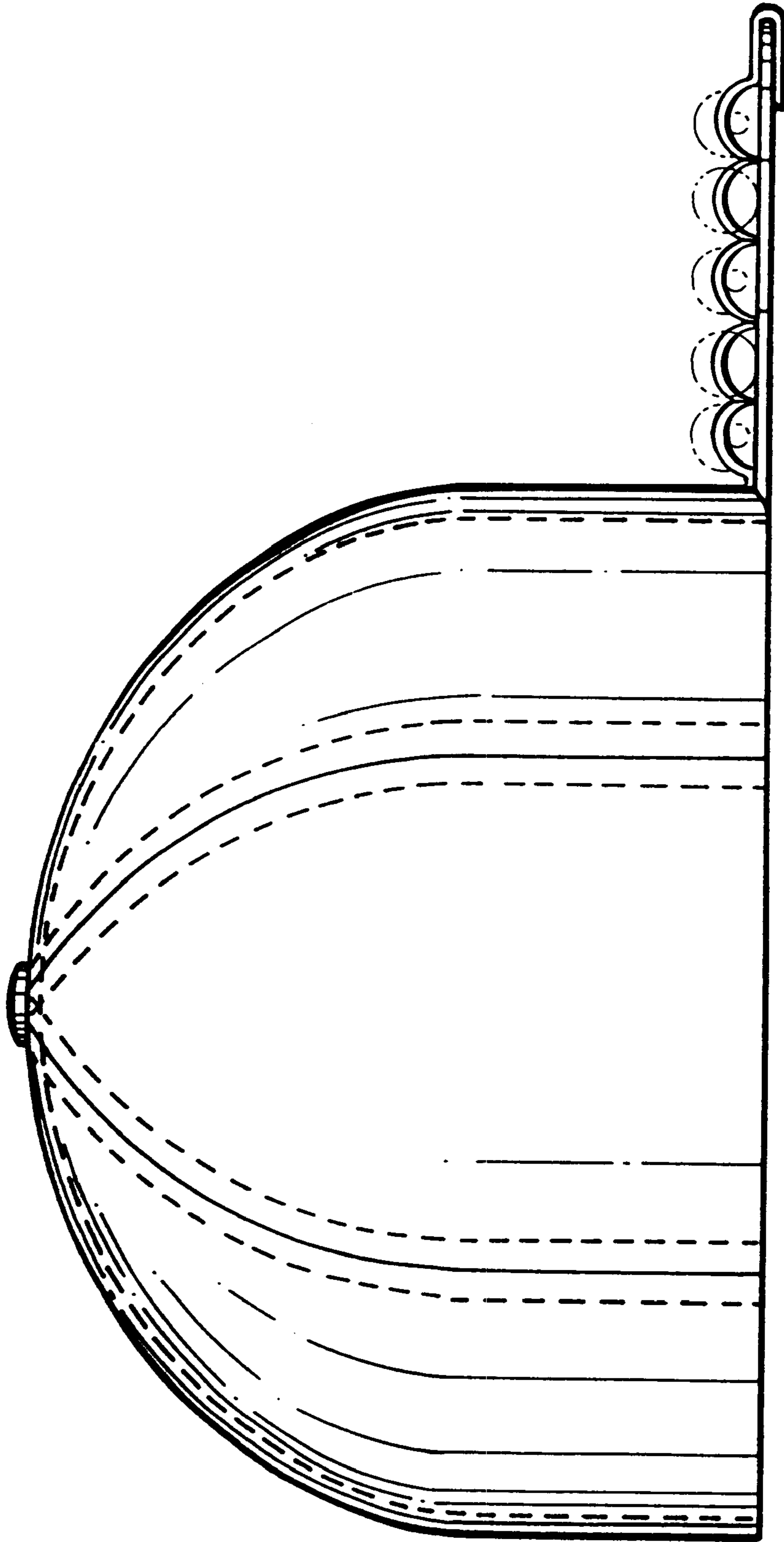


FIG. 5

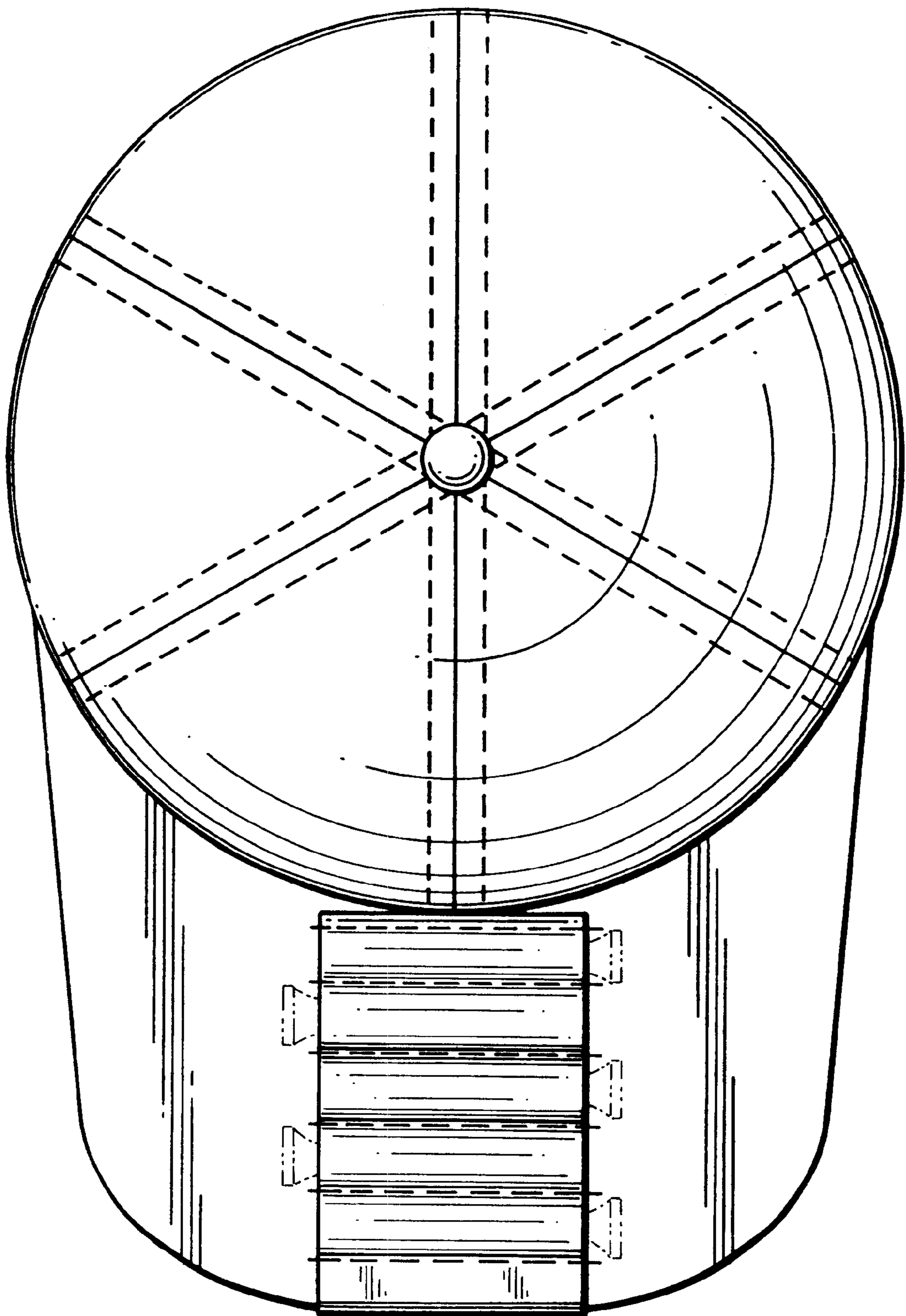


FIG. 6

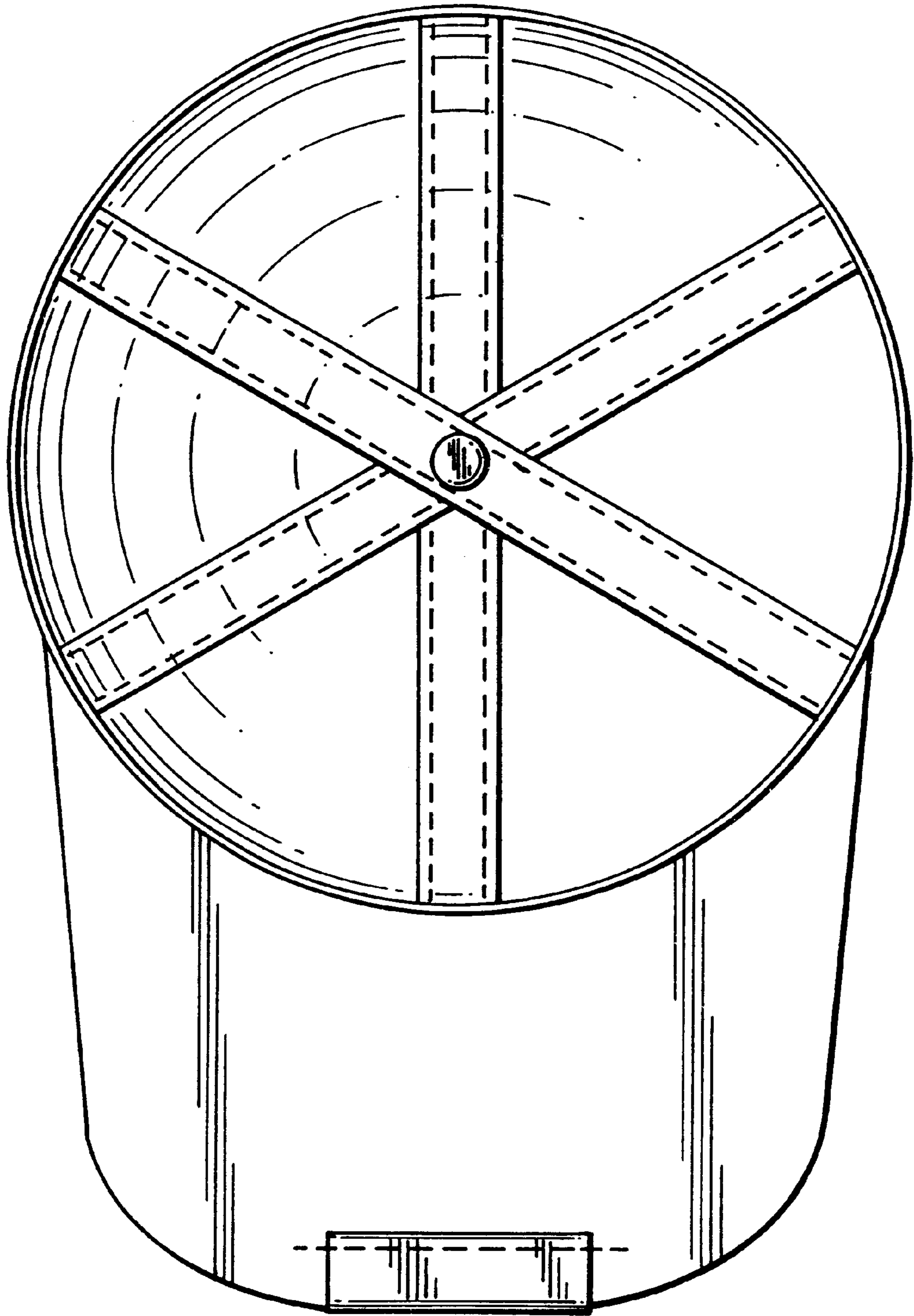


FIG. 7