



US00D455245S

(12) **United States Design Patent**
Bakker

(10) **Patent No.:** **US D455,245 S**

(45) **Date of Patent:** **** Apr. 2, 2002**

(54) **COIN DISPENSER**

(76) Inventor: **John A. Bakker**, 23617 Via Beguine,
Valencia, CA (US) 91355-3230

(**) Term: **14 Years**

(21) Appl. No.: **29/130,696**

(22) Filed: **Oct. 10, 2000**

(51) **LOC (7) Cl.** **99-00**

(52) **U.S. Cl.** **D99/34**

(58) **Field of Search** D99/28, 34, 35,
D99/36; 206/0.81, 0.83, 0.84; 453/49, 50,
54

(56) **References Cited**

U.S. PATENT DOCUMENTS

D20,703 S	*	4/1891	Kleberg et al.	D99/34
2,553,257 A	*	5/1951	Honeyman	206/0.81 X
2,654,376 A	*	10/1953	Hultberg	453/54
2,896,892 A	*	7/1959	Berardinelli	453/54 X
3,361,142 A	*	1/1968	Shelton et al.	453/49

D252,775 S	*	8/1979	Stoffel	D99/34
D289,217 S	*	4/1987	Murphy	D99/34
D395,131 S	*	6/1998	Steinhagen	D99/34

* cited by examiner

Primary Examiner—Paula A. Mortimer
(74) *Attorney, Agent, or Firm*—Calif Tervo

(57) **CLAIM**

The ornamental design for a coin dispenser, as shown and described.

DESCRIPTION

FIG. 1 is a perspective view of a coin dispenser showing my new design;

FIG. 2 is a top plan view thereof;

FIG. 3 is a left side elevation view thereof;

FIG. 4 is a front elevation view thereof;

FIG. 5 is a right side elevation view thereof;

FIG. 6 is a rear elevation view thereof; and,

FIG. 7 is a bottom plan view thereof.

1 Claim, 2 Drawing Sheets

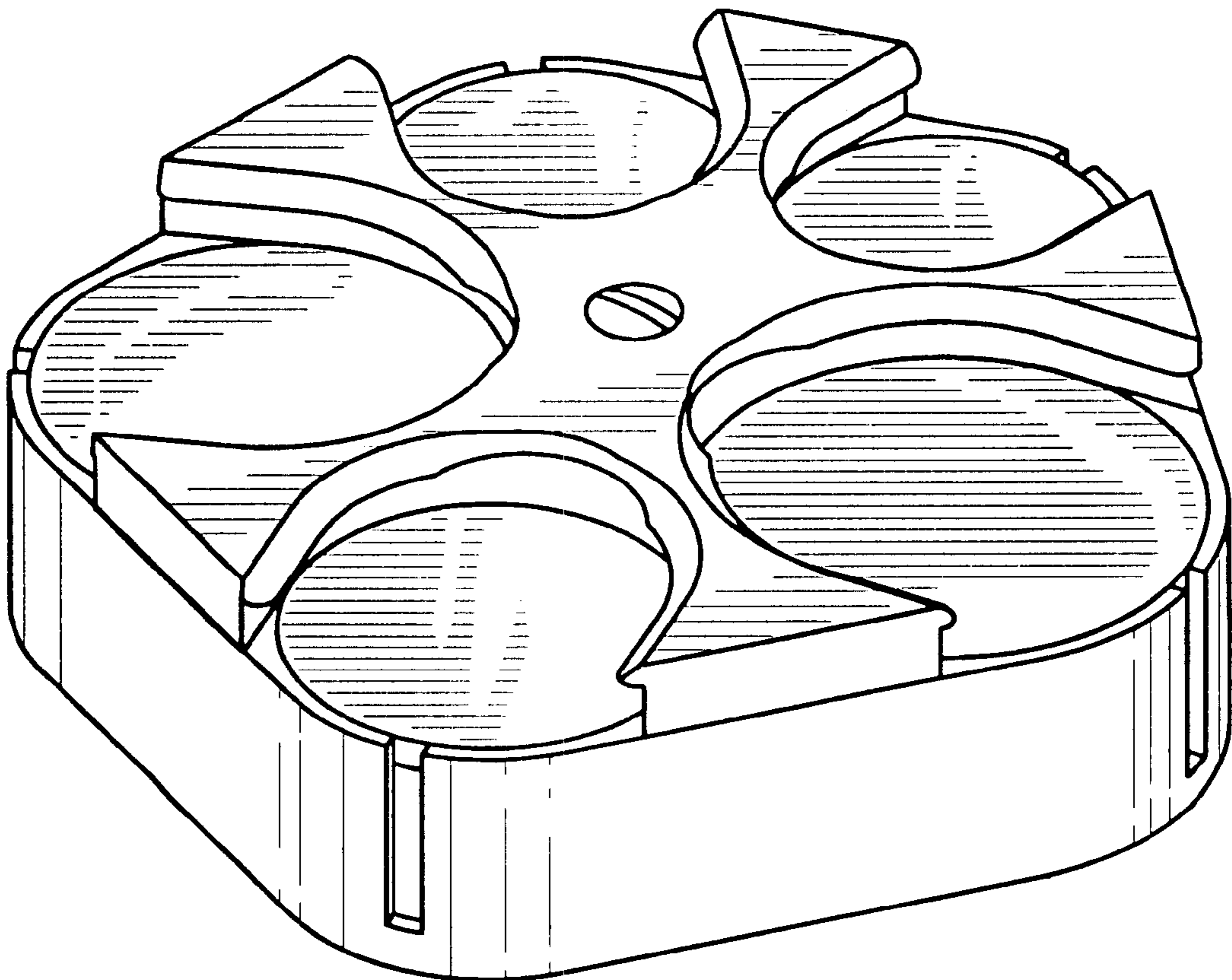


FIG. 1

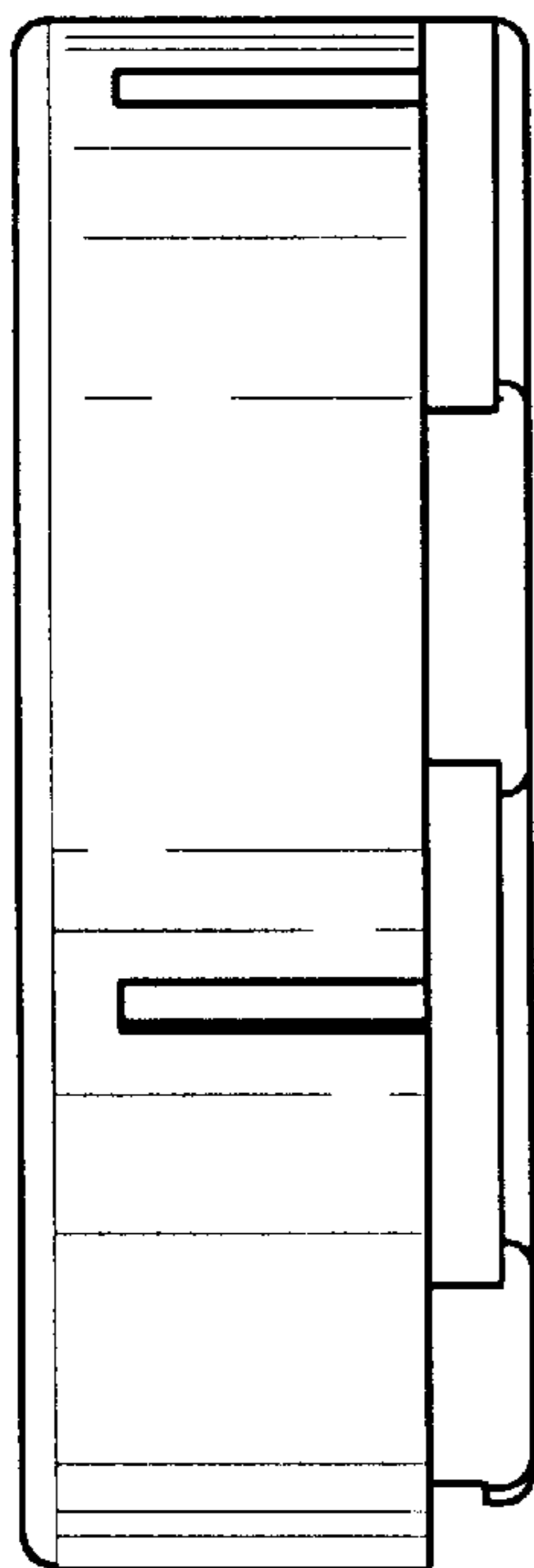
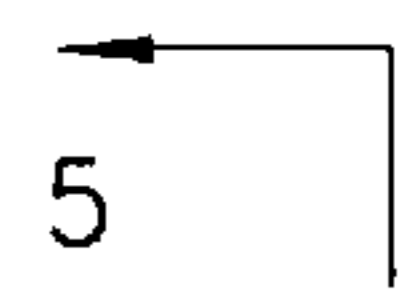
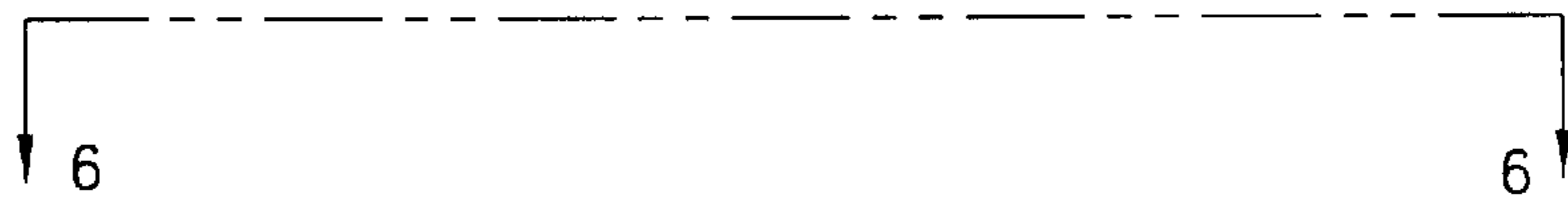
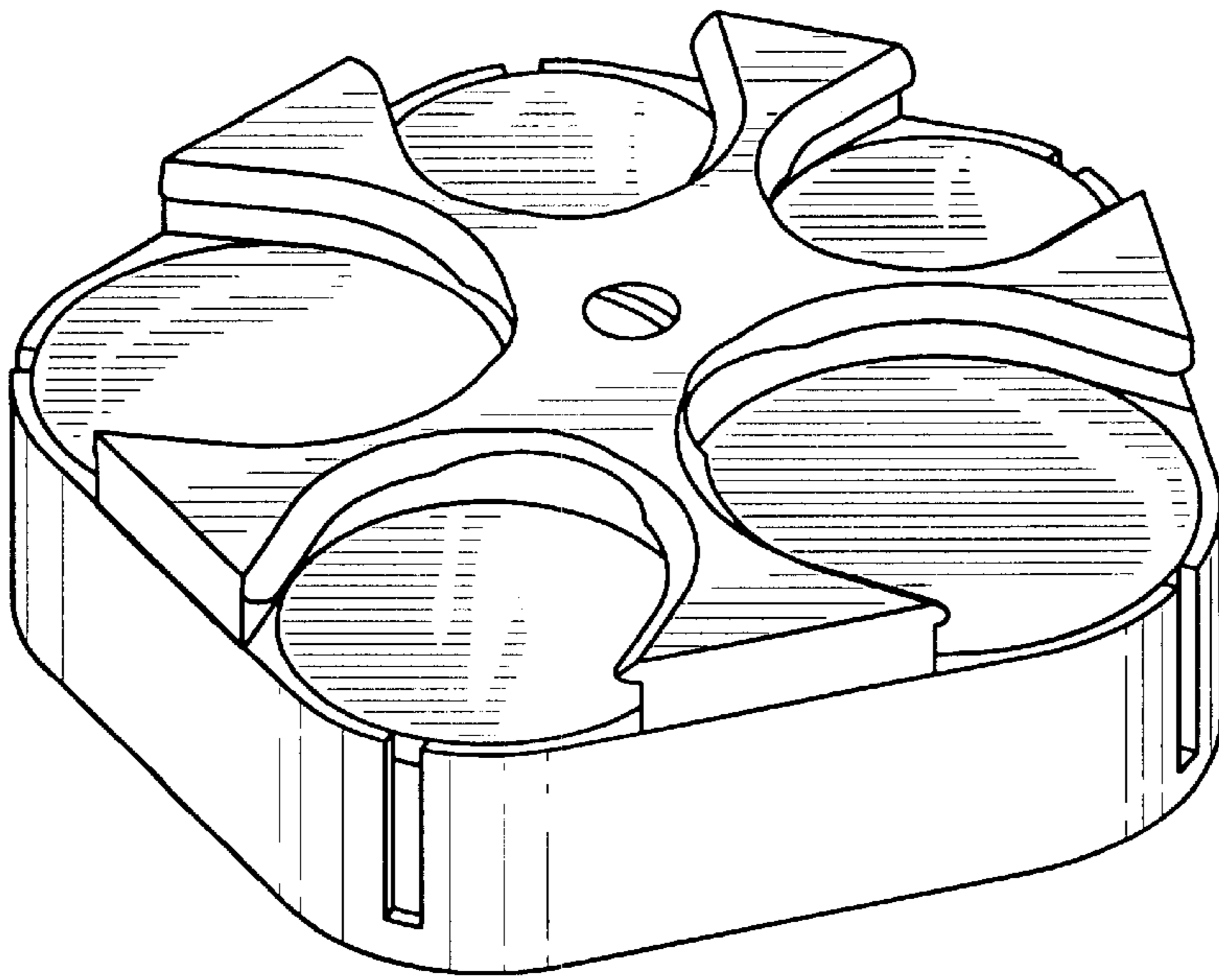
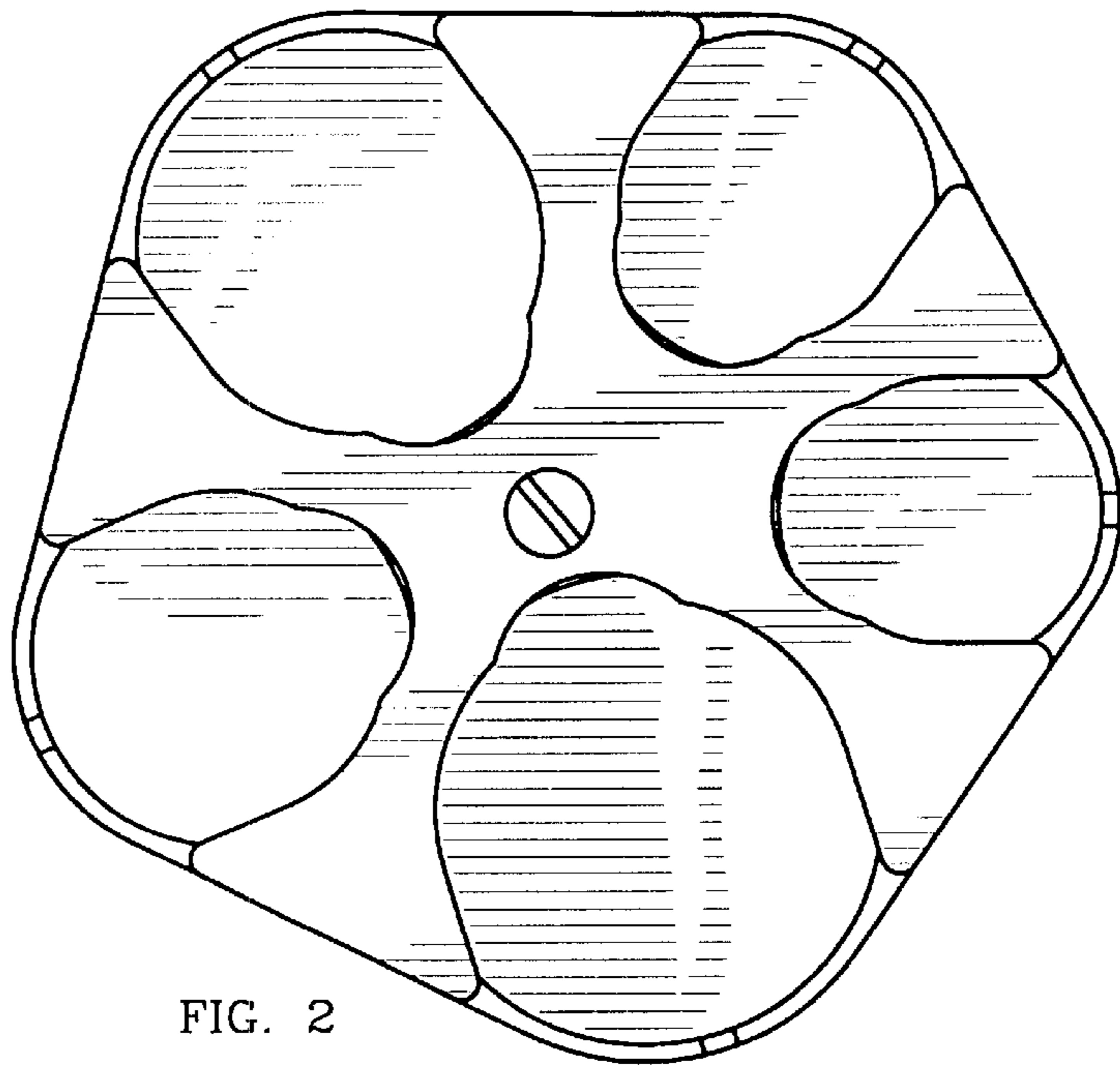


FIG. 3



FIG. 2



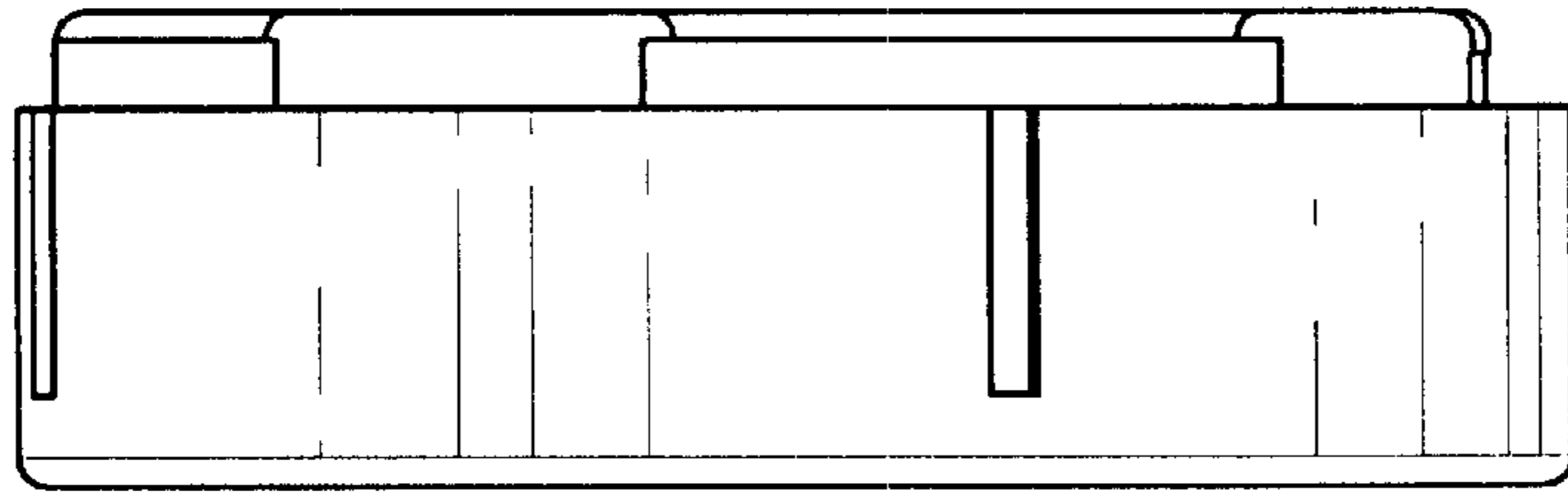


FIG. 4

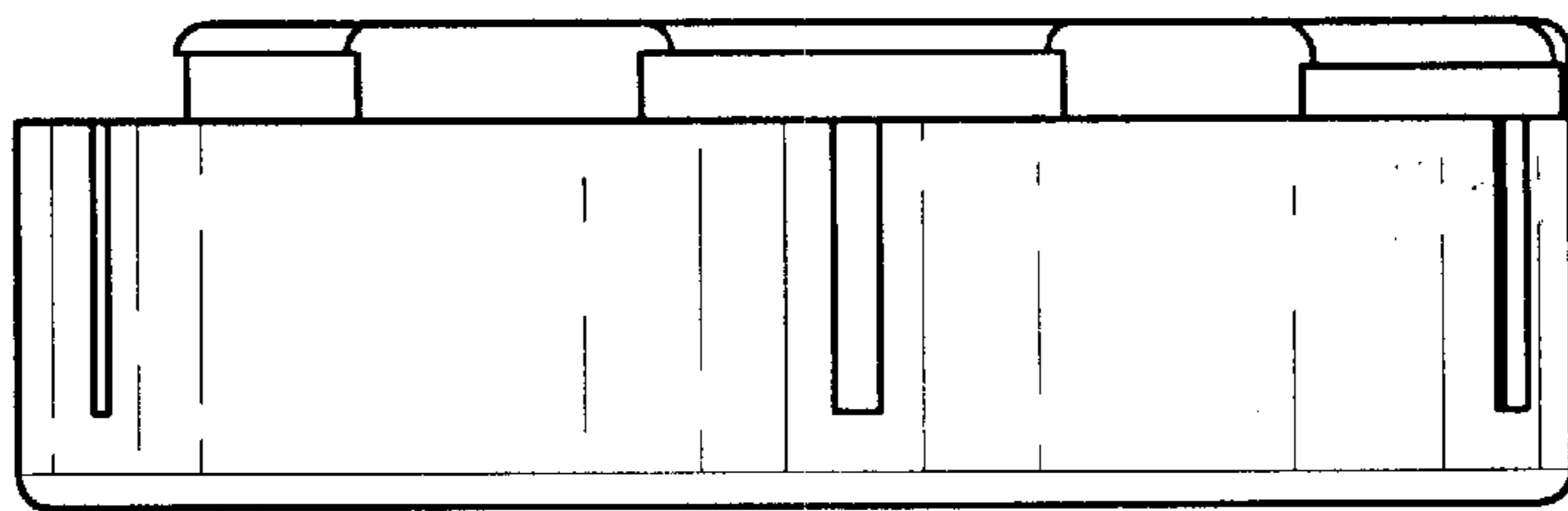


FIG. 5

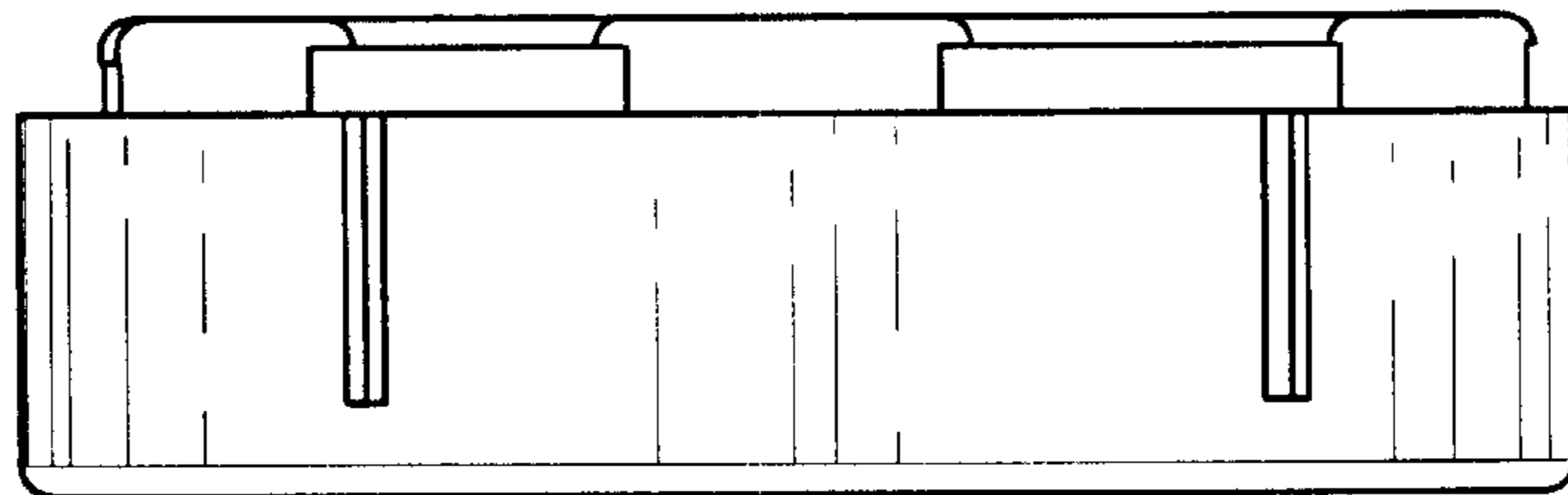


FIG. 6

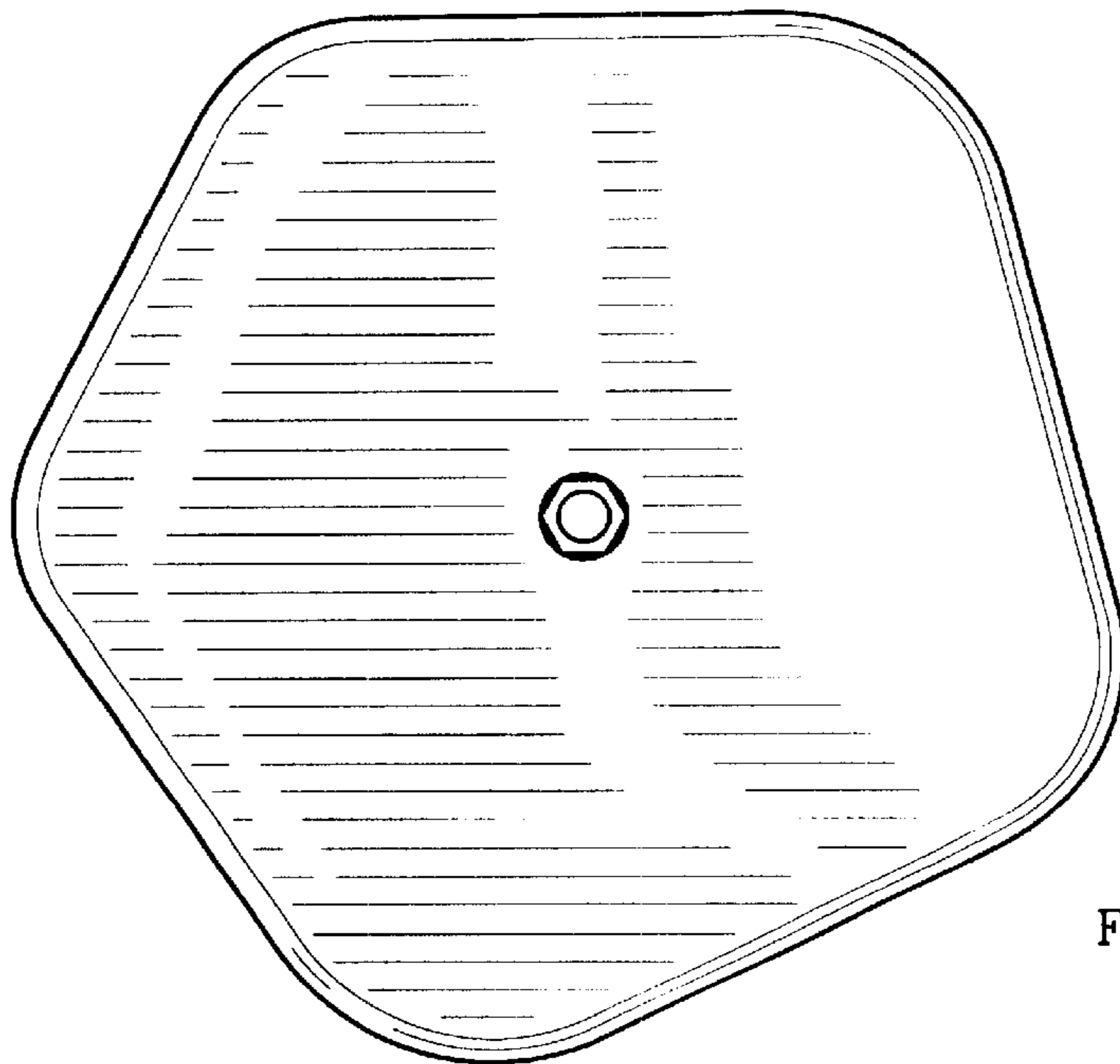


FIG. 7