



US00D455243S

(12) **United States Design Patent**
Walter

(10) **Patent No.:** **US D455,243 S**

(45) **Date of Patent:** **** Apr. 2, 2002**

(54) **BASKET SHOPPING CART**

D407,882 S 4/1999 Duchene D34/12

(75) Inventor: **Ivor Michel Walter**, 5882 Orchard
Creek La., Boulder, CO (US) 80301

* cited by examiner

(73) Assignee: **Ivor Michel Walter**, Boulder, CO (US)

Primary Examiner—Kay H. Chin

(**) Term: **14 Years**

(74) *Attorney, Agent, or Firm*—Rick Martin; Patent Law
Offices of Rich Martin P.C.

(21) Appl. No.: **29/140,305**

(57) **CLAIM**

(22) Filed: **Apr. 16, 2001**

The ornamental design for a basket shopping cart, as shown
and described.

(51) **LOC (7) Cl.** **12-02**

DESCRIPTION

(52) **U.S. Cl.** **D34/21; D34/17**

(58) **Field of Search** D34/12-27; 280/47.18,
280/47.19, 47.24, 47.27, 47.28, 47.29, 47.34,
654, 655, 655.1, 79.3

FIG. 1 is a left side plan view on my new design for a basket
shopping cart;

FIG. 2 is a top plan view of the preferred embodiment shown
in FIG. 1.

FIG. 3 is a bottom plan view of the preferred embodiment
shown in FIG. 1.

FIG. 4 is a front plan view of the preferred embodiment
shown in FIG. 1.

FIG. 5 is a rear plan view of the preferred embodiment
shown in FIG. 1; and,

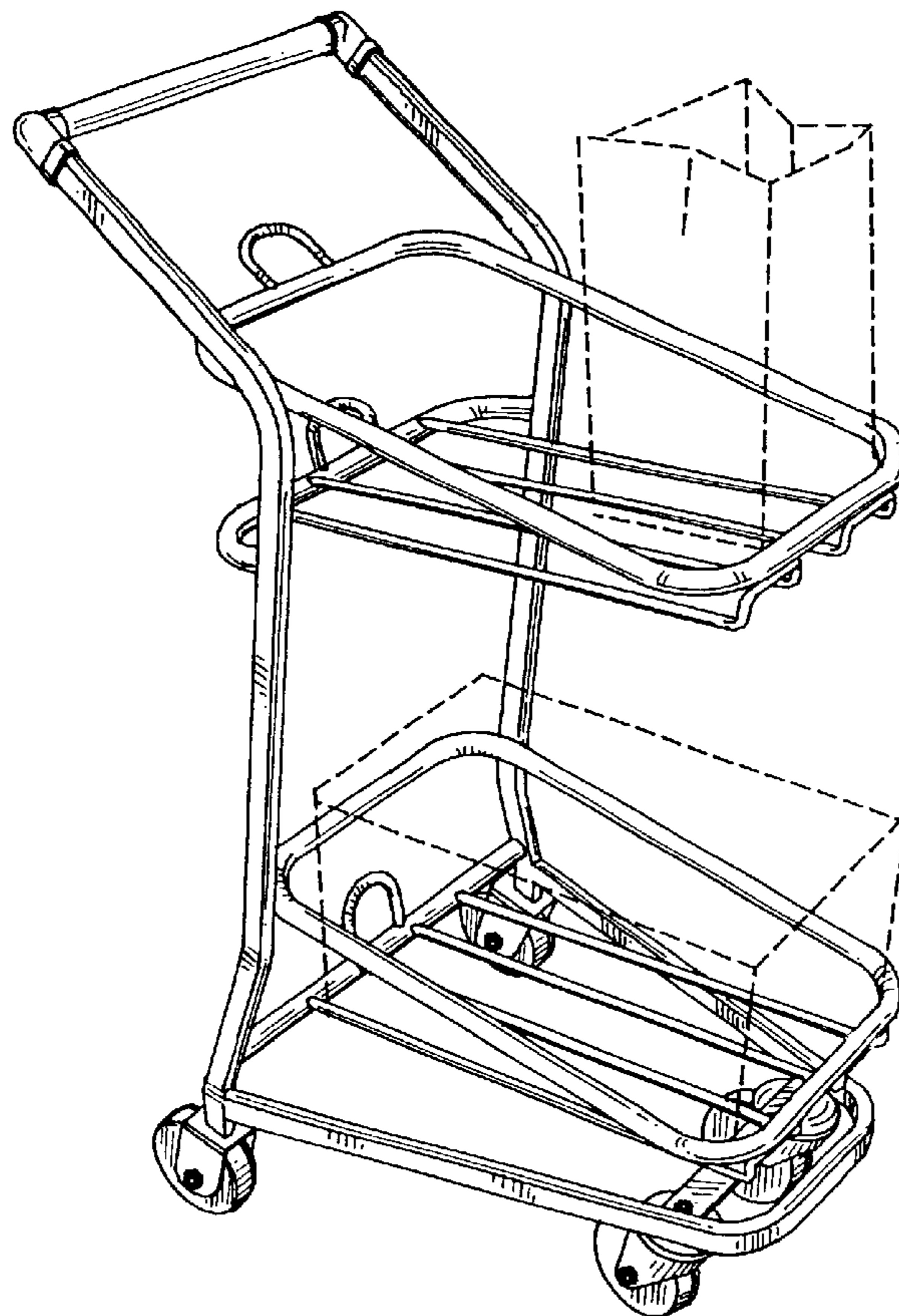
FIG. 6 is a front perspective view of the preferred embodi-
ment shown in FIG. 1 showing a bag and shopping basket
in dotted lines.

(56) **References Cited**

U.S. PATENT DOCUMENTS

D240,297 S	*	6/1976	Trubiano	D34/17
D282,499 S	*	2/1986	Alstrom	D34/17
D331,135 S	*	11/1992	Lewandowski et al.	D34/18
D379,834 S	*	6/1997	Huang	D21/124
D386,873 S	*	11/1997	Langlois		
			D'Estaintot et al.	D34/21
D399,625 S	*	10/1998	Murphy et al.	D34/21

1 Claim, 2 Drawing Sheets



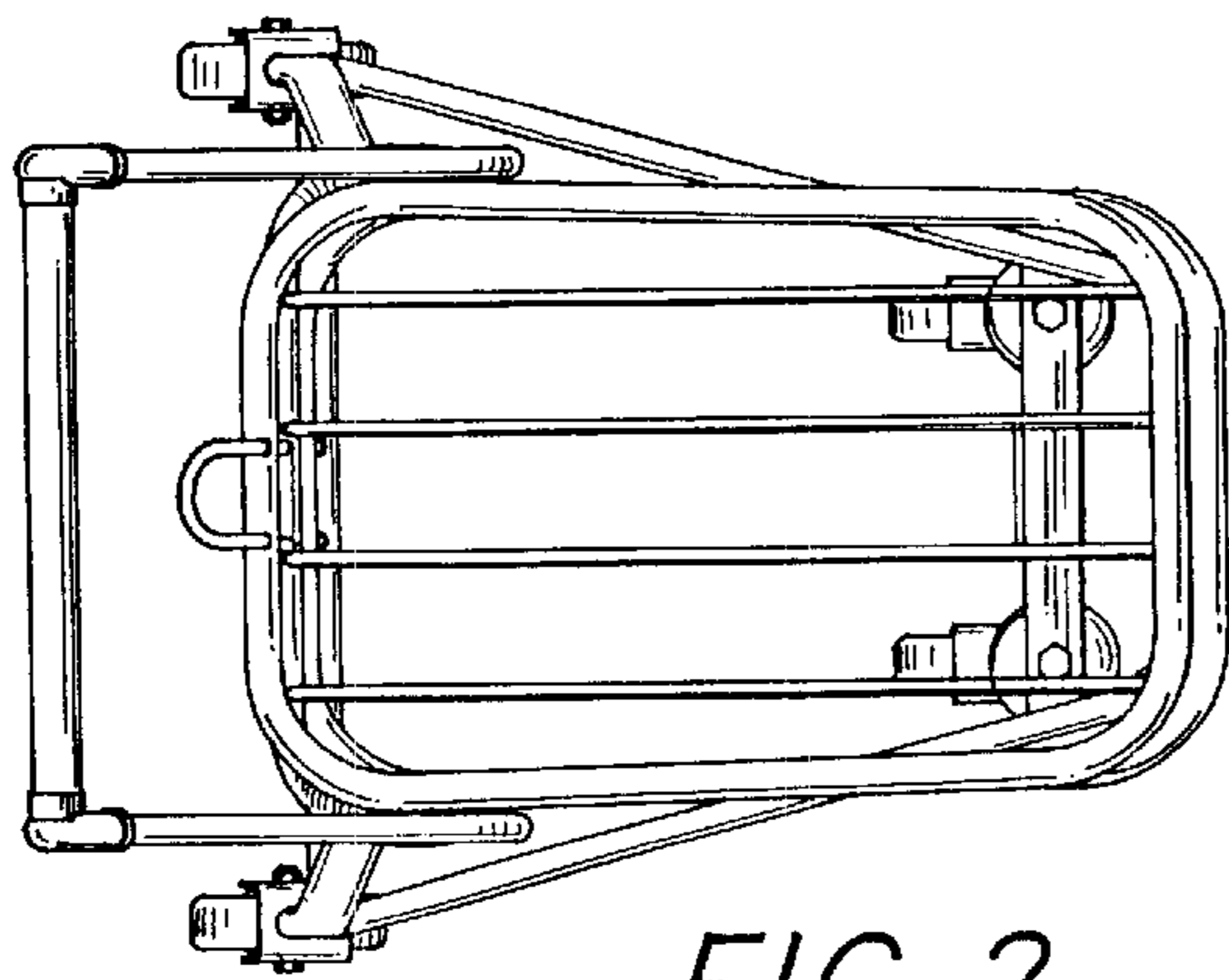


FIG. 2

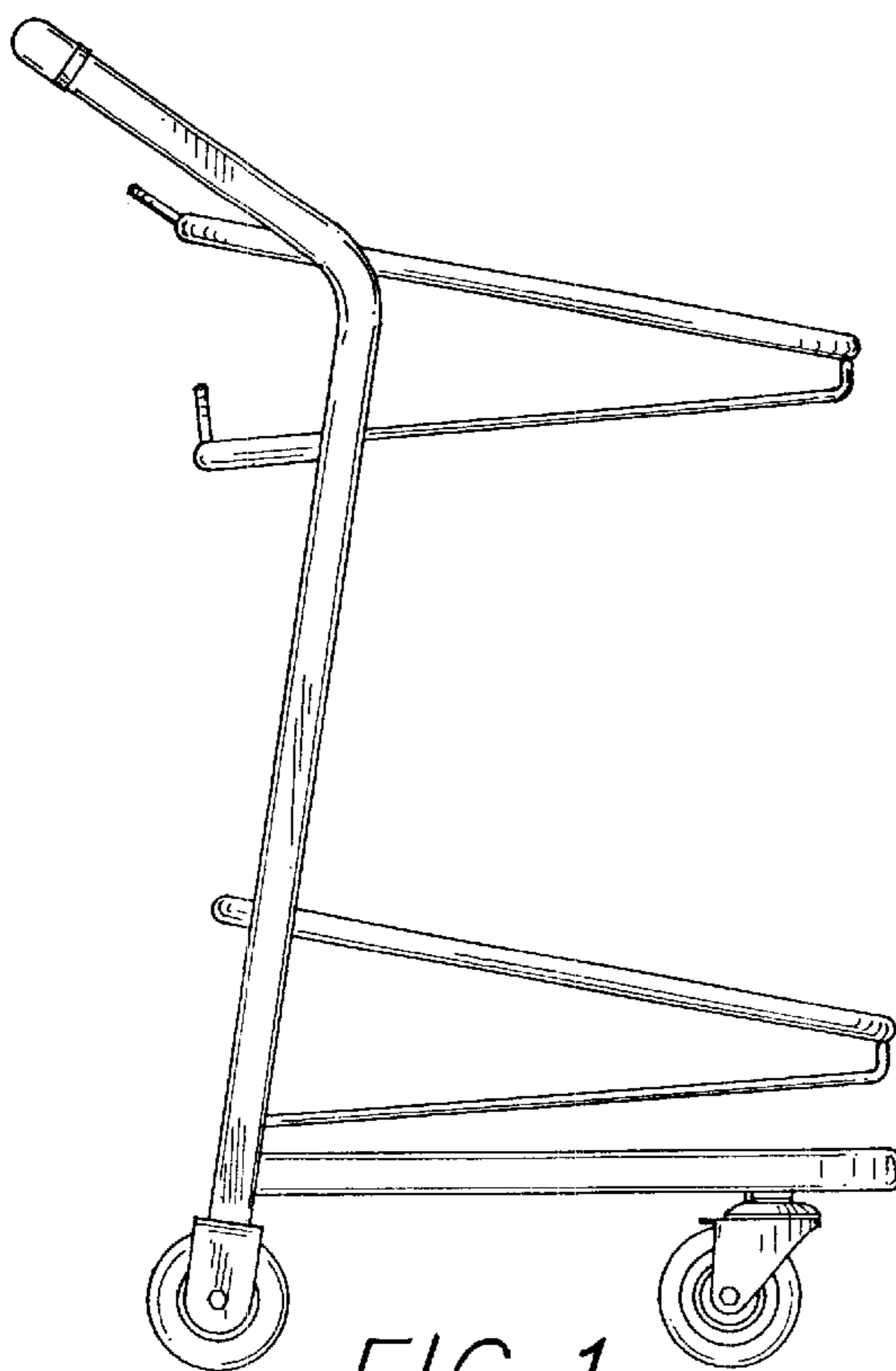


FIG. 1

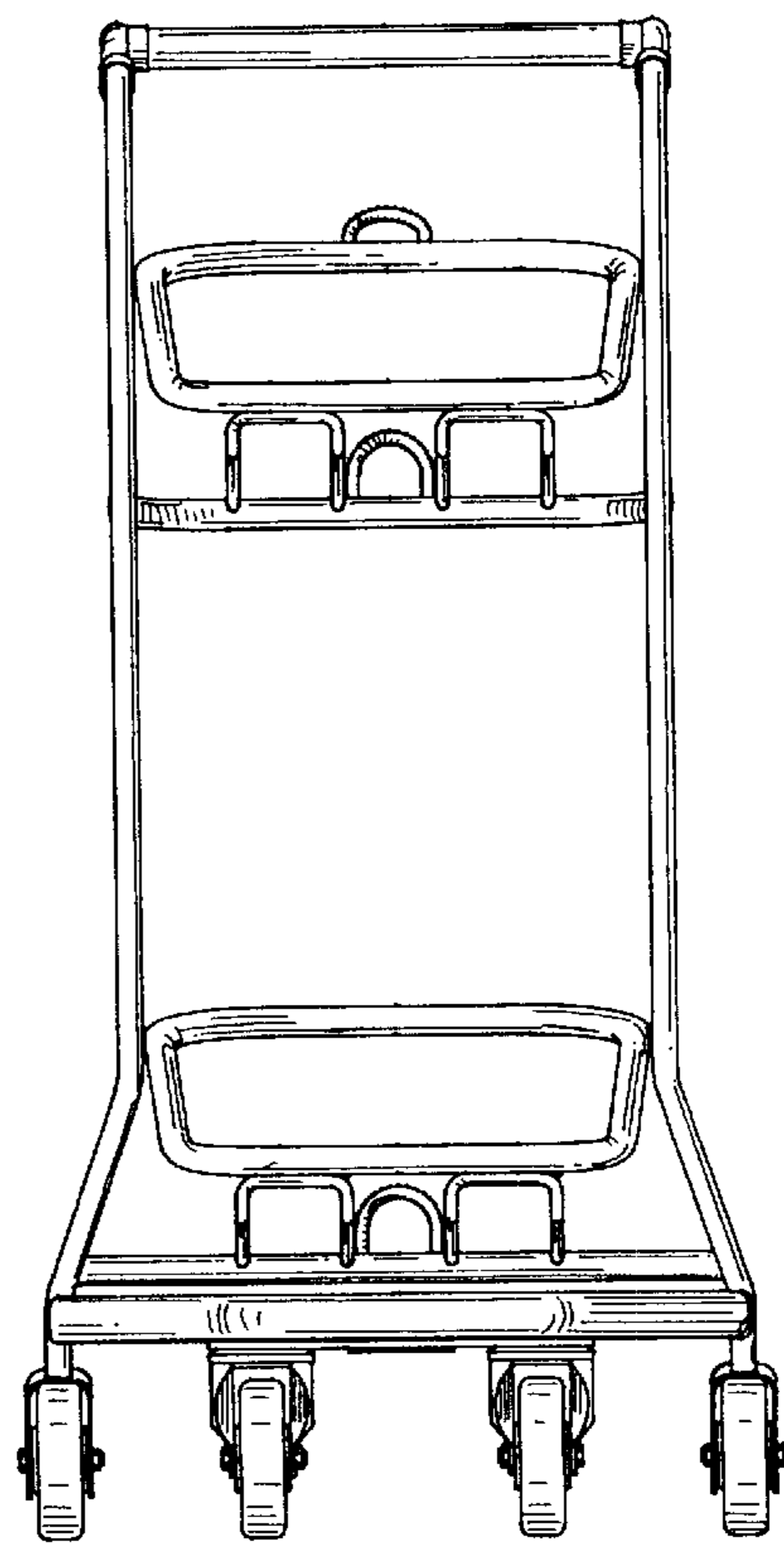


FIG. 4

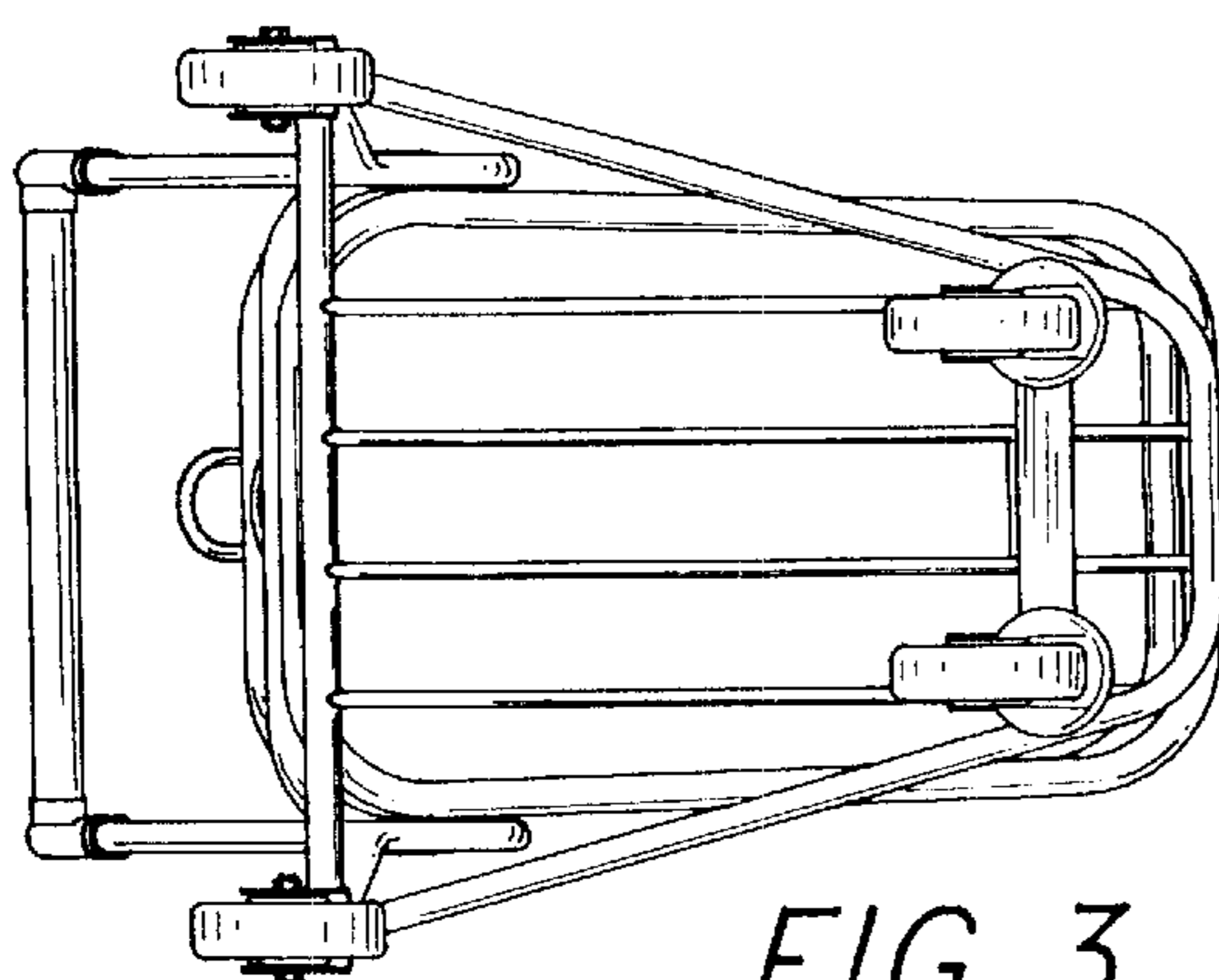


FIG. 3

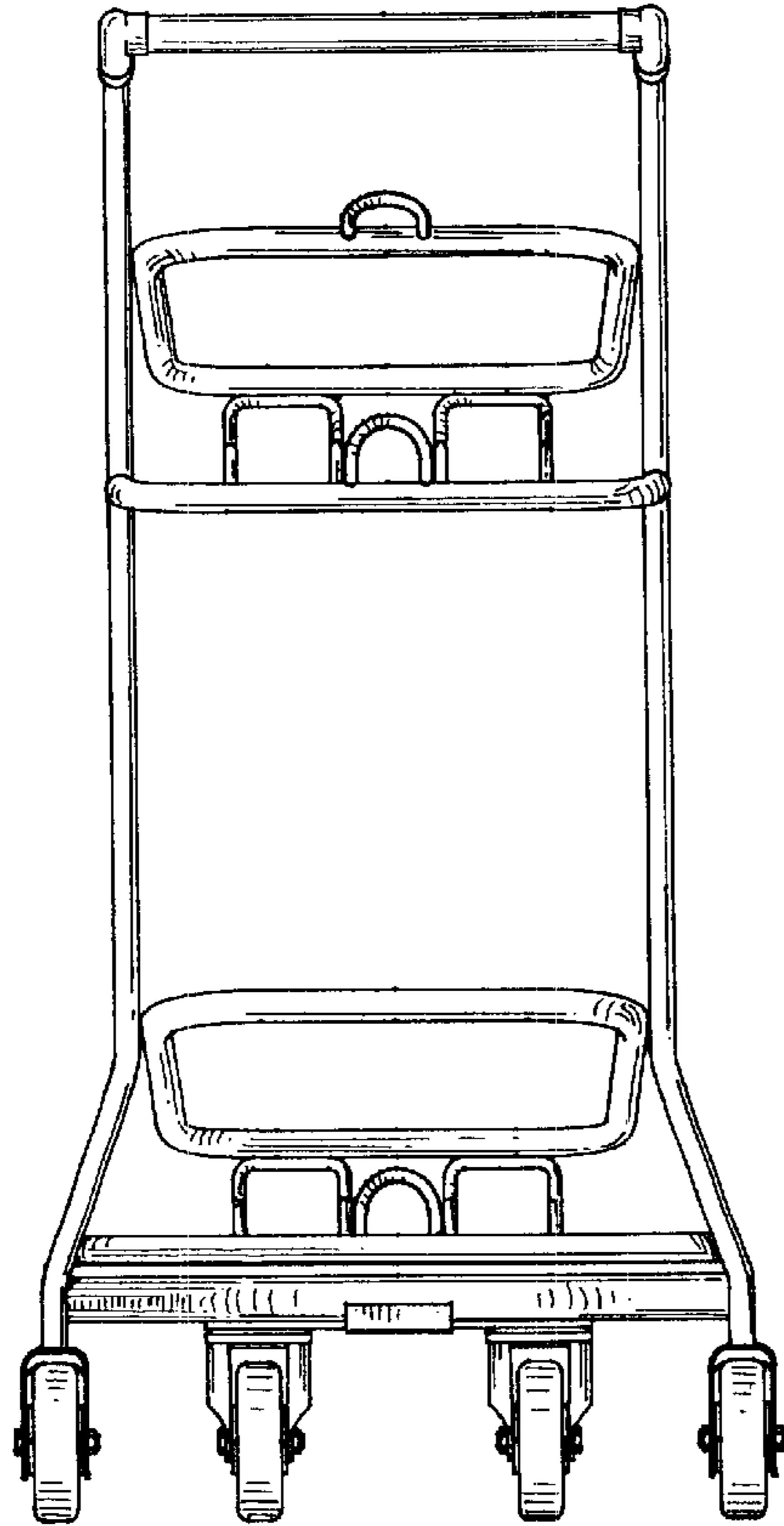


FIG. 5

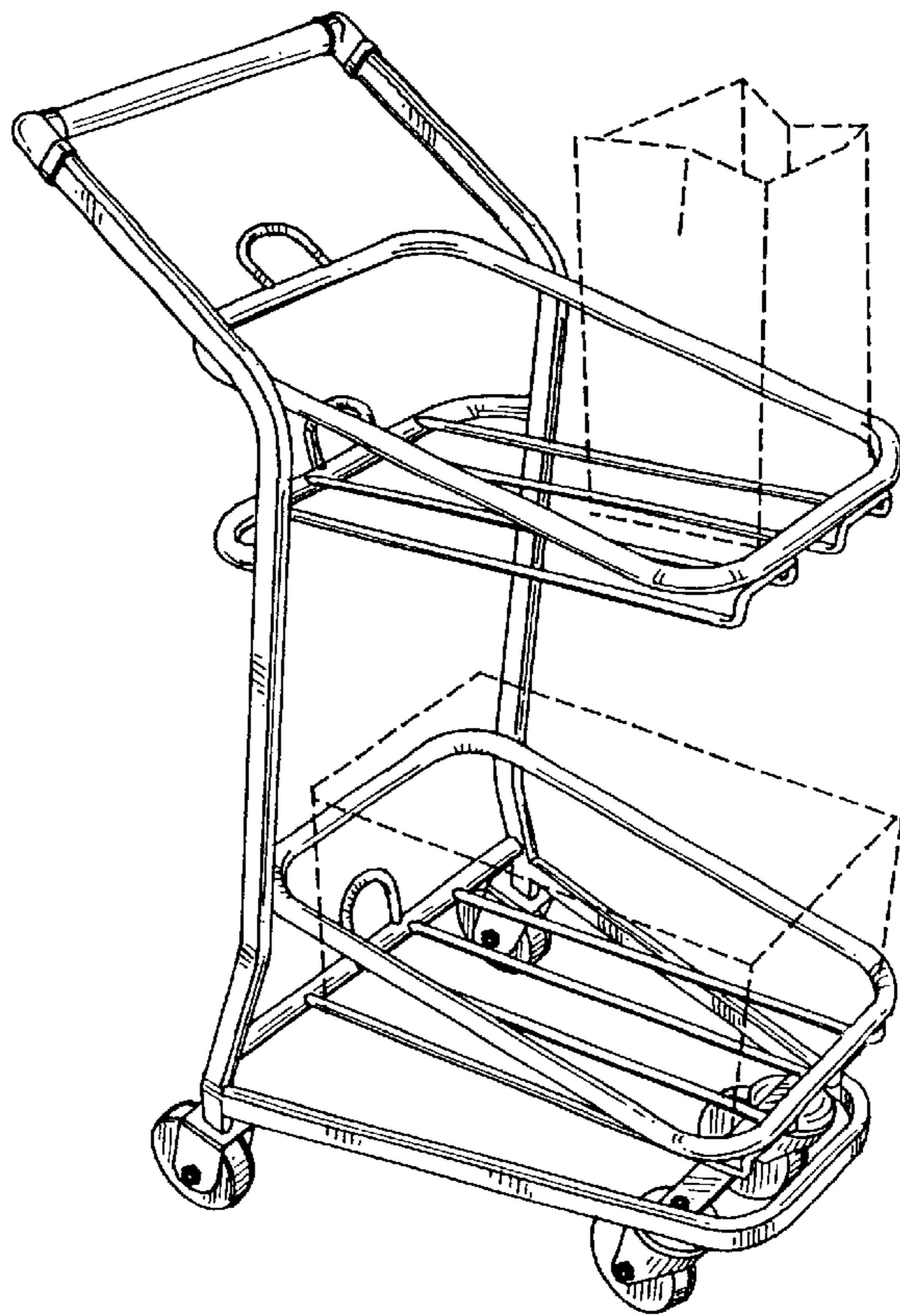


FIG. 6