



US00D455242S

(12) **United States Design Patent**  
**Dyson et al.**

(10) **Patent No.:** **US D455,242 S**

(45) **Date of Patent:** **\*\* Apr. 2, 2002**

(54) **TOOL FOR A FLOOR CARE APPLIANCE**

(75) Inventors: **James Dyson**, Little Somerford; **Peter David Gammack**, Bath, both of (GB)

(73) Assignee: **Notetry Limited**, Little Somerford (GB)

(\*\*) Term: **14 Years**

(21) Appl. No.: **29/099,996**

(22) Filed: **Feb. 2, 1999**

(30) **Foreign Application Priority Data**

Mar. 8, 1998 (GB) ..... 2076544

(51) **LOC (7) Cl.** ..... **15-05**

(52) **U.S. Cl.** ..... **D32/33**

(58) **Field of Search** ..... D32/21, 22, 25,  
D32/31-33; 15/415.1-422.1, 321-322,  
412, 414, 400, 350, 354, 362, 364, 367,  
373

(56) **References Cited**

**U.S. PATENT DOCUMENTS**

D329,513 S \* 9/1992 Kieft et al. .... D32/32

D352,809 S \* 11/1994 Reath ..... D32/31

D358,242 S \* 5/1995 McKnight ..... D32/32

D375,821 S \* 11/1996 Roberts et al. .... D32/31

D378,005 S \* 2/1997 Rorke et al. .... D32/33

D405,571 S \* 2/1999 Gildersleeve ..... D32/32

\* cited by examiner

*Primary Examiner*—Ruth McInroy

(74) *Attorney, Agent, or Firm*—Ian C. McLeod

(57) **CLAIM**

The ornamental design for a tool for a floor care appliance, as shown and described.

**DESCRIPTION**

FIG. 1 is a front elevational view of a tool for a floor care appliance showing our new design;

FIG. 2 is a rear elevational view thereof;

FIG. 3 is a bottom view thereof;

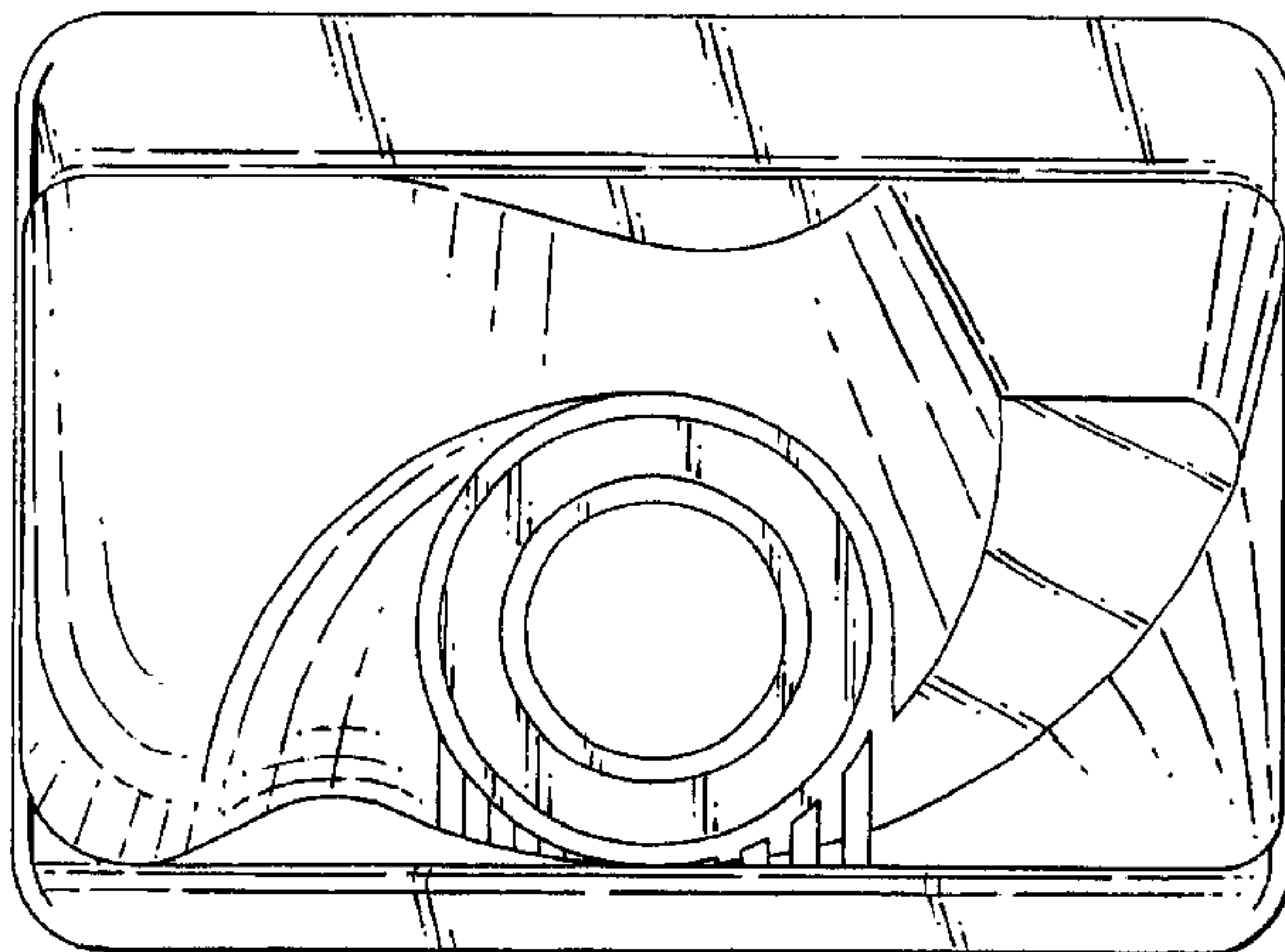
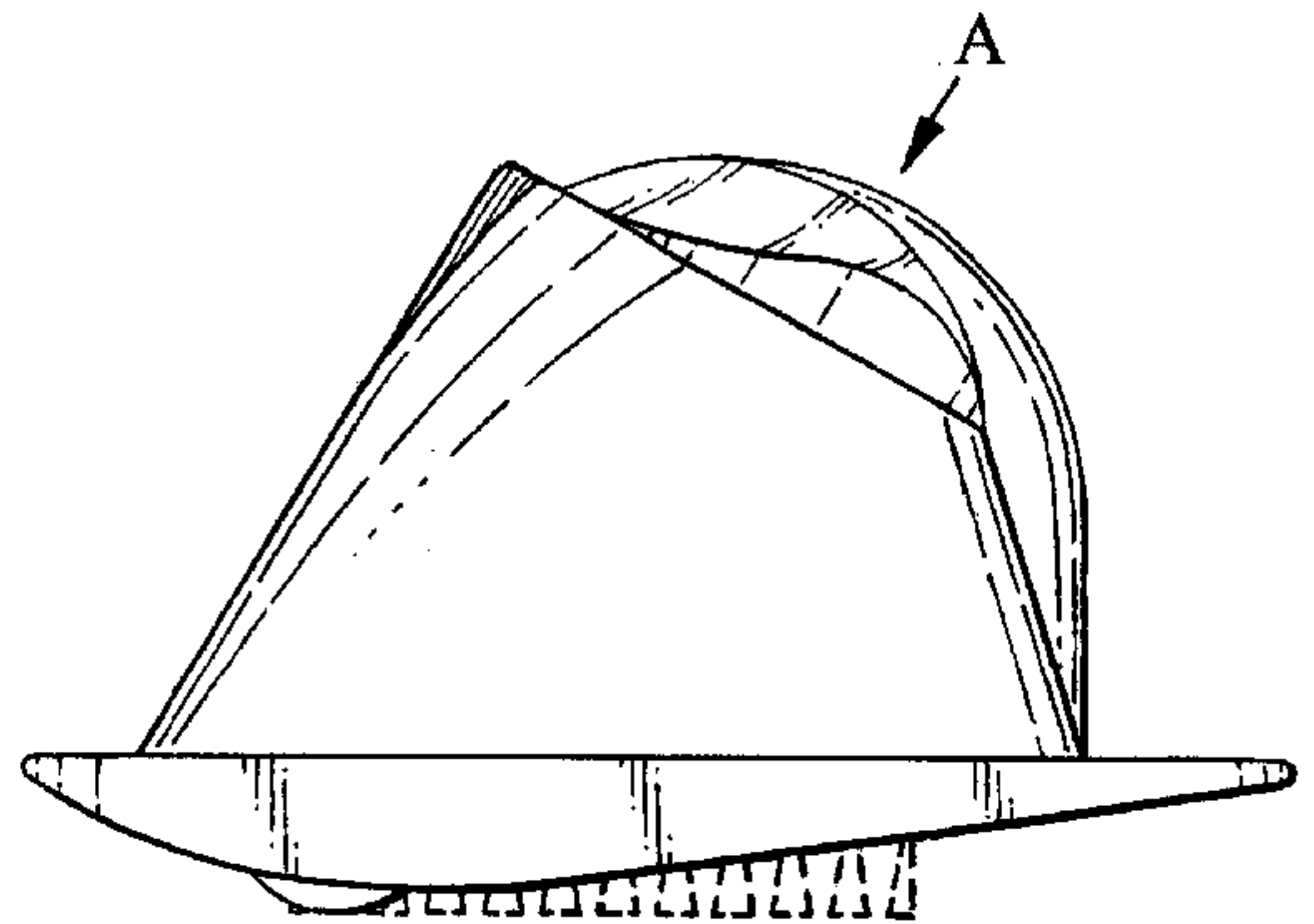
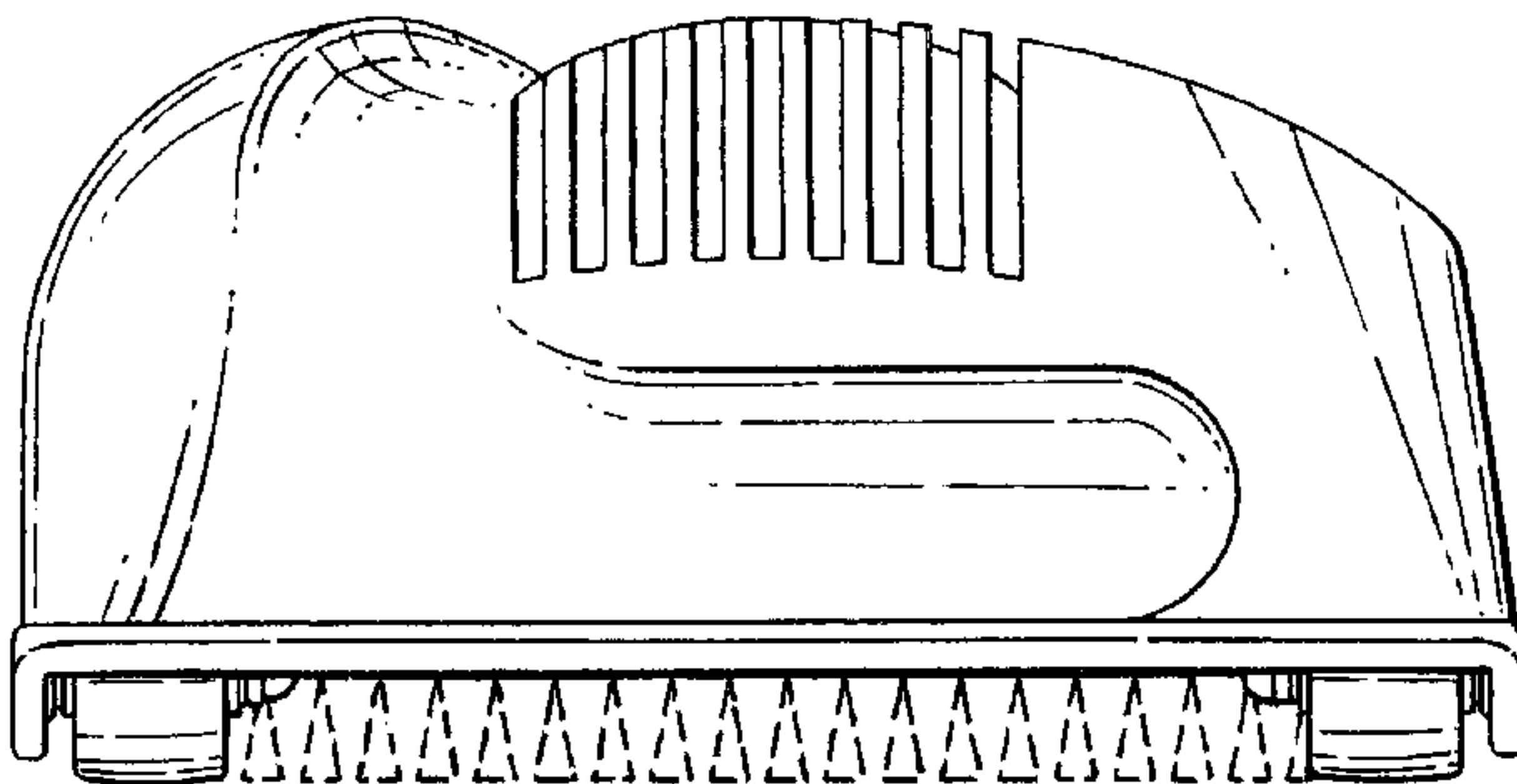
FIG. 4 is a left side elevational view thereof;

FIG. 5 is a right side elevational view thereof; and,

FIG. 6 is a partial top plan view in the direction of arrow A in FIG. 5.

The bristles shown in broken lines in FIGS. 1-5 are for illustrative purposes only and form no part of the claimed design.

**1 Claim, 2 Drawing Sheets**



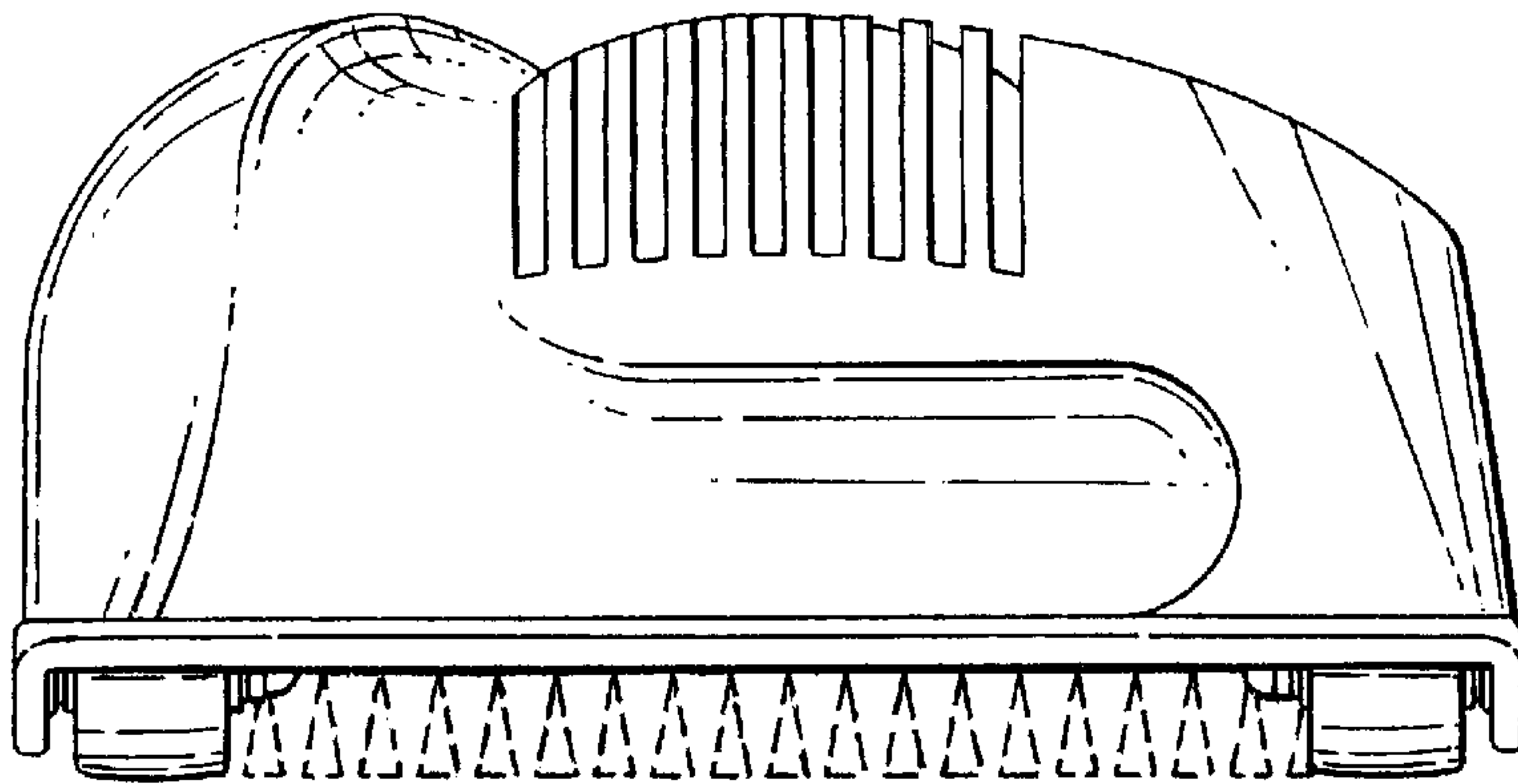


Fig. 1

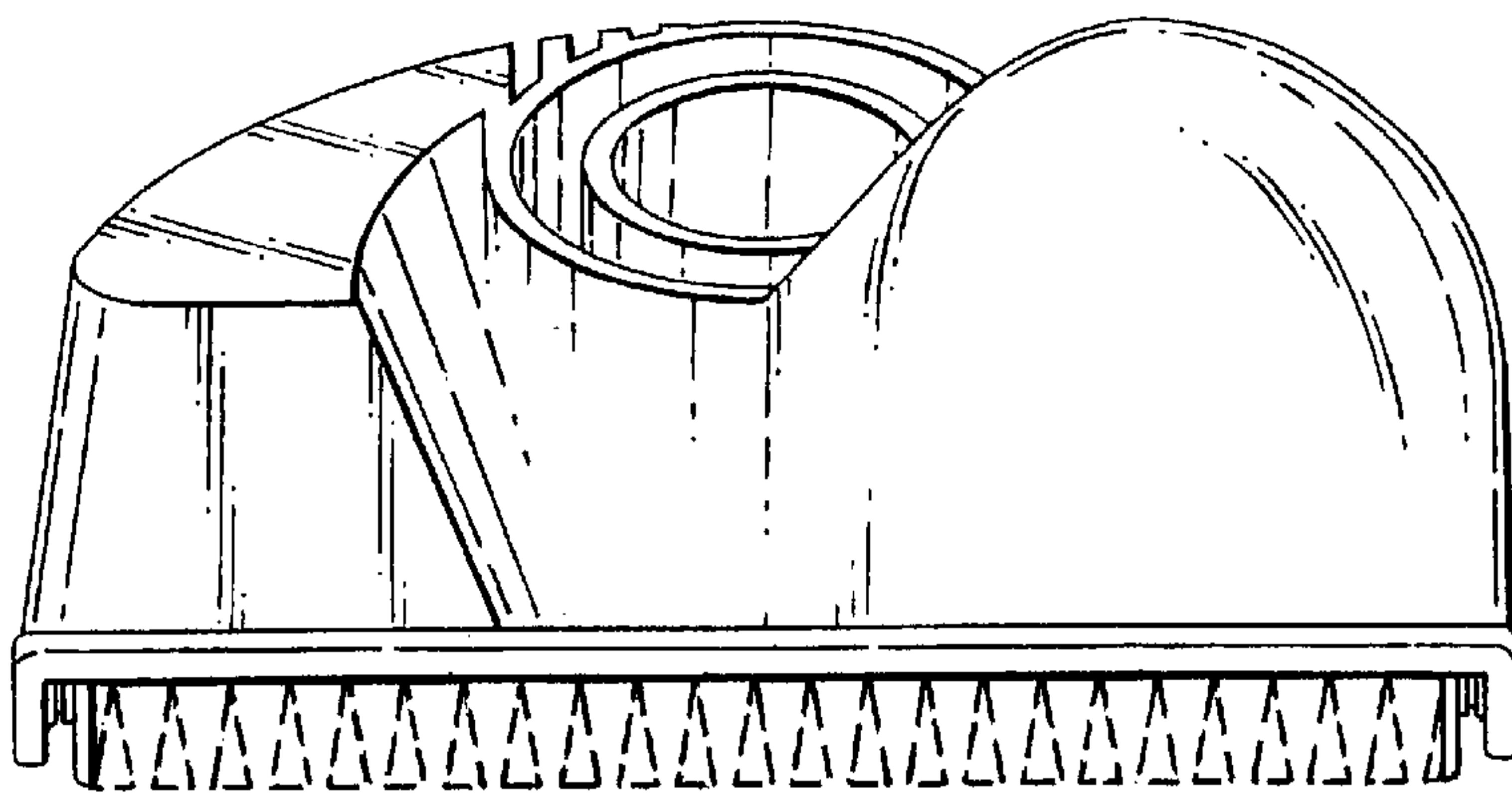


Fig. 2

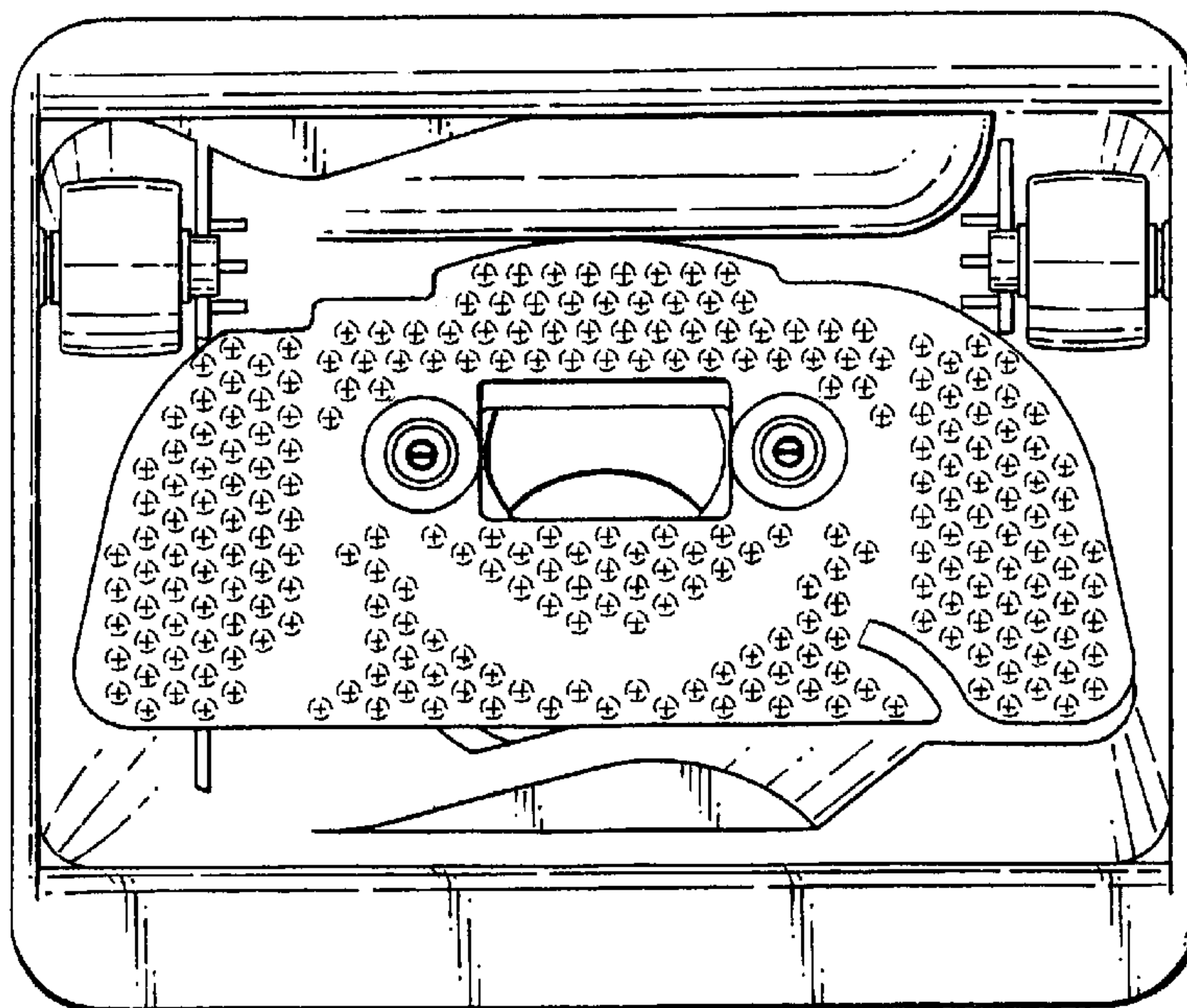


Fig. 3

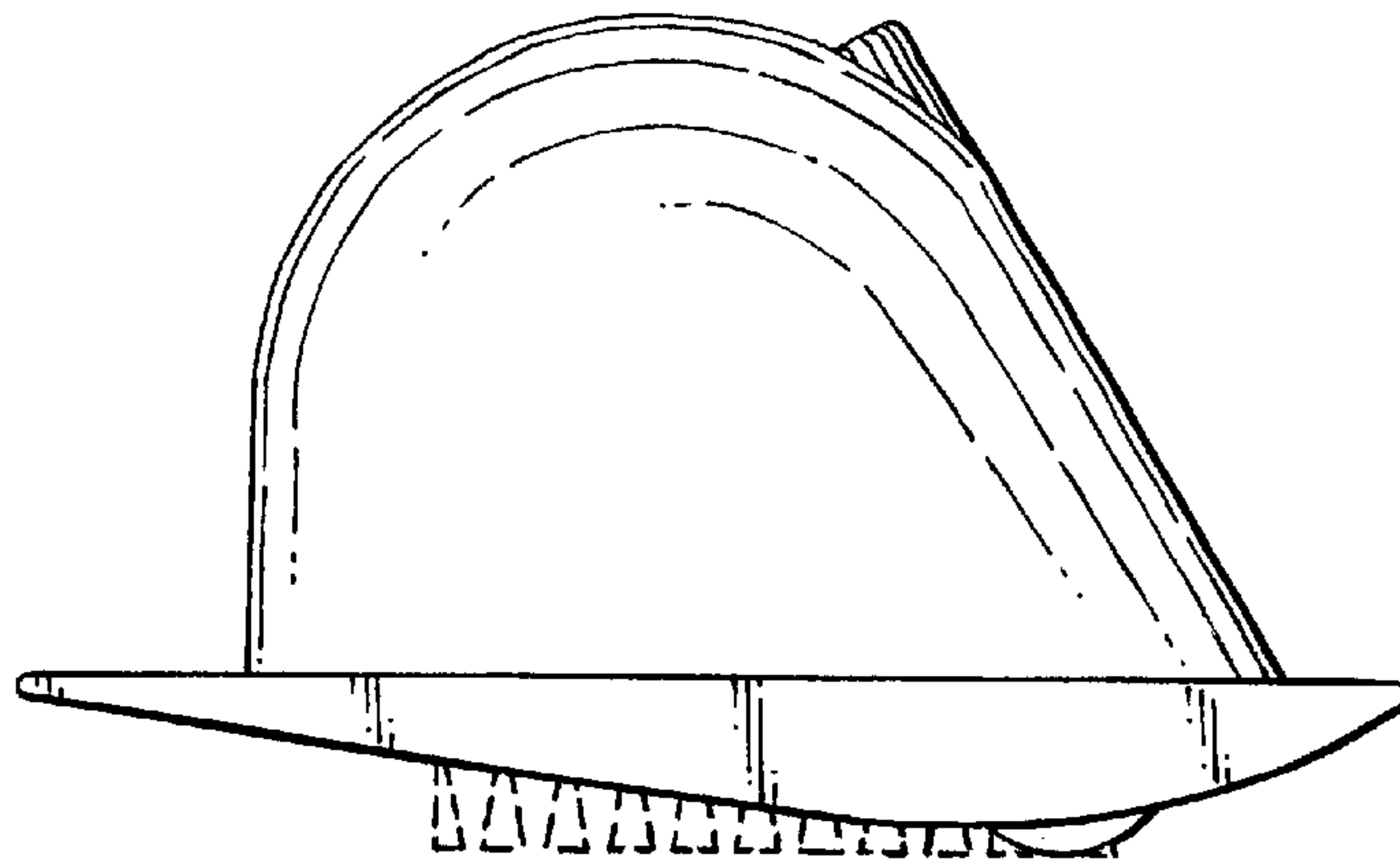


Fig.4

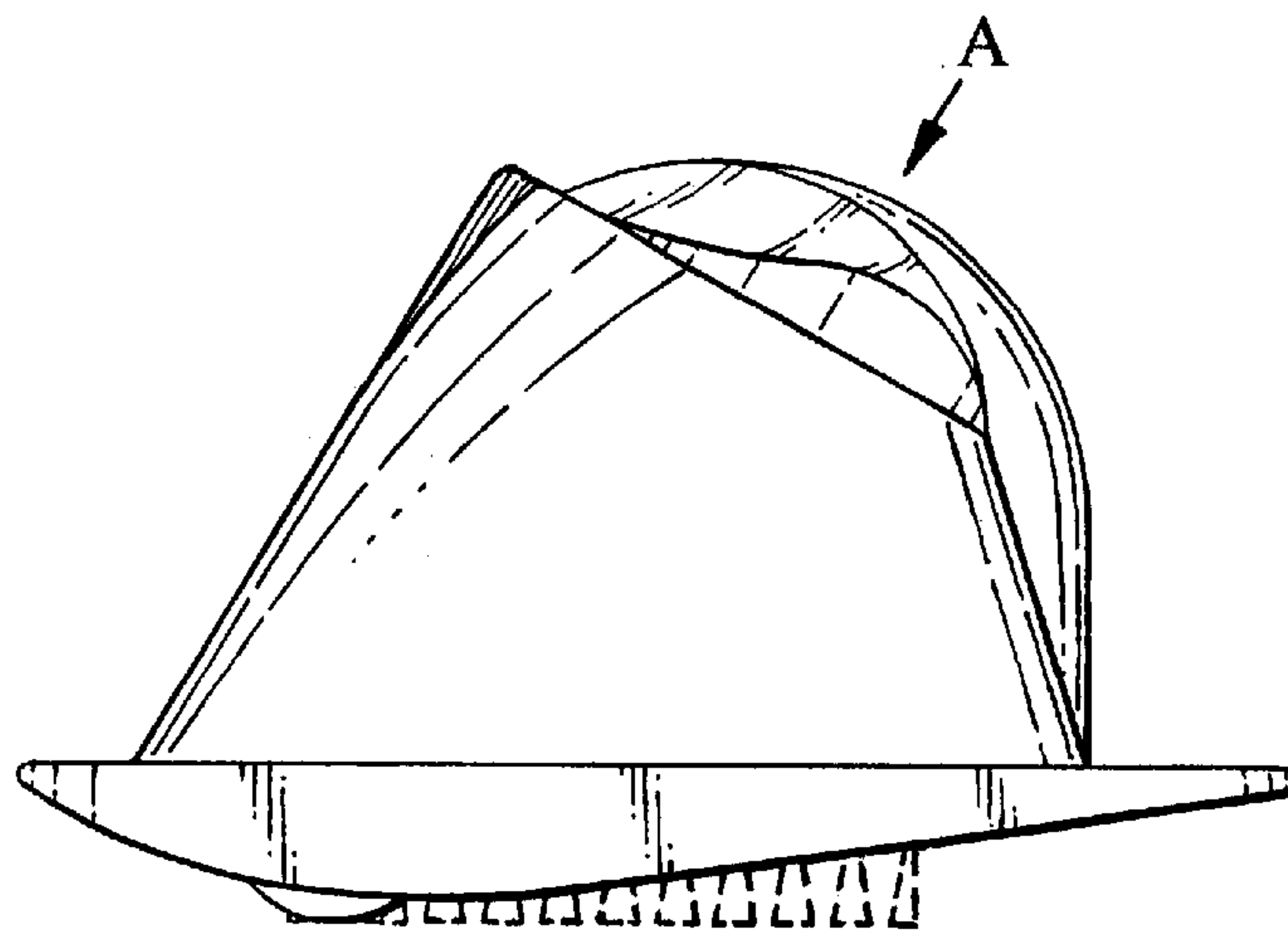


Fig.5

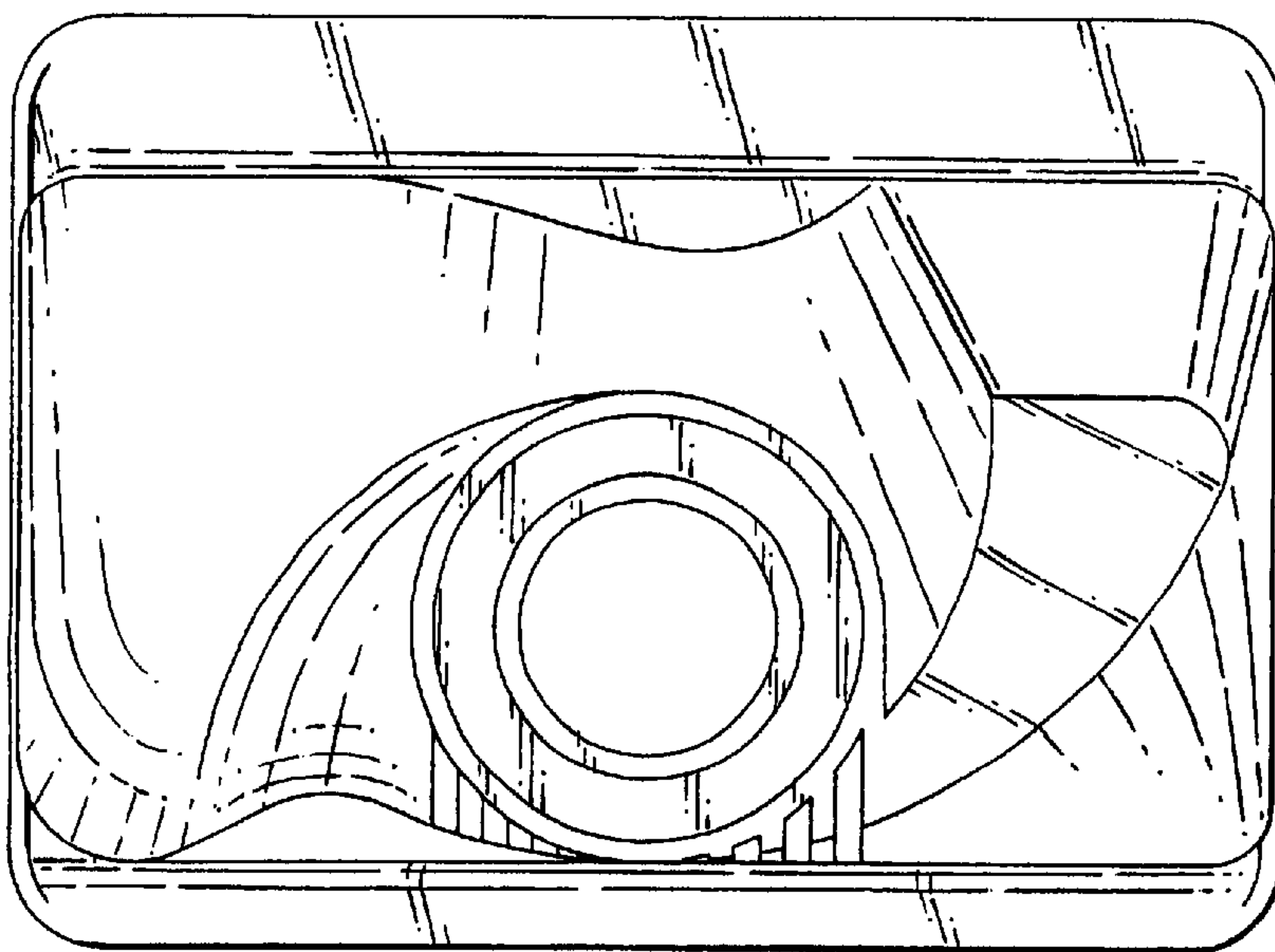


Fig.6