



US00D455241S

(12) **United States Design Patent**
Alford et al.

(10) **Patent No.:** **US D455,241 S**

(45) **Date of Patent:** **** Apr. 2, 2002**

(54) **VACUUM CLEANER DIRT RECEPTACLE**

D407,873 S * 4/1999 Burchard et al. D32/31

D407,875 S * 4/1999 Burchard et al. D32/31

D433,201 S * 10/2000 Wright et al. D32/30

(75) Inventors: **William G. Alford**, Canton; **Greg A. Bilek**, Doylestown; **Ronald J. Stephens**, Rittman, all of OH (US)

* cited by examiner

(73) Assignee: **The Hoover Company**, North Canton, OH (US)

Primary Examiner—Mitchell Siegel

(74) *Attorney, Agent, or Firm*—A. Burgess Lowe; Michael J. Corrigan

(**) Term: **14 Years**

(21) Appl. No.: **29/143,931**

(57) **CLAIM**

(22) Filed: **Jun. 21, 2001**

The ornamental design of a vacuum cleaner dirt receptacle, as shown and described.

Related U.S. Application Data

DESCRIPTION

(62) Division of application No. 29/119,638, filed on Mar. 3, 2000, now Pat. No. Des. 446,614.

FIG. 1 is a front elevational view of a vacuum cleaner dirt receptacle showing our new design;

(51) **LOC (7) Cl.** **15-05**

FIG. 2 is a right side elevational view thereof;

(52) **U.S. Cl.** **D32/30**

FIG. 3 is a left side elevational view thereof;

(58) **Field of Search** D32/25, 30-32; 15/347, 353, 342, 345, 429, 436, 472, 459

FIG. 4 is a top view thereof; and,

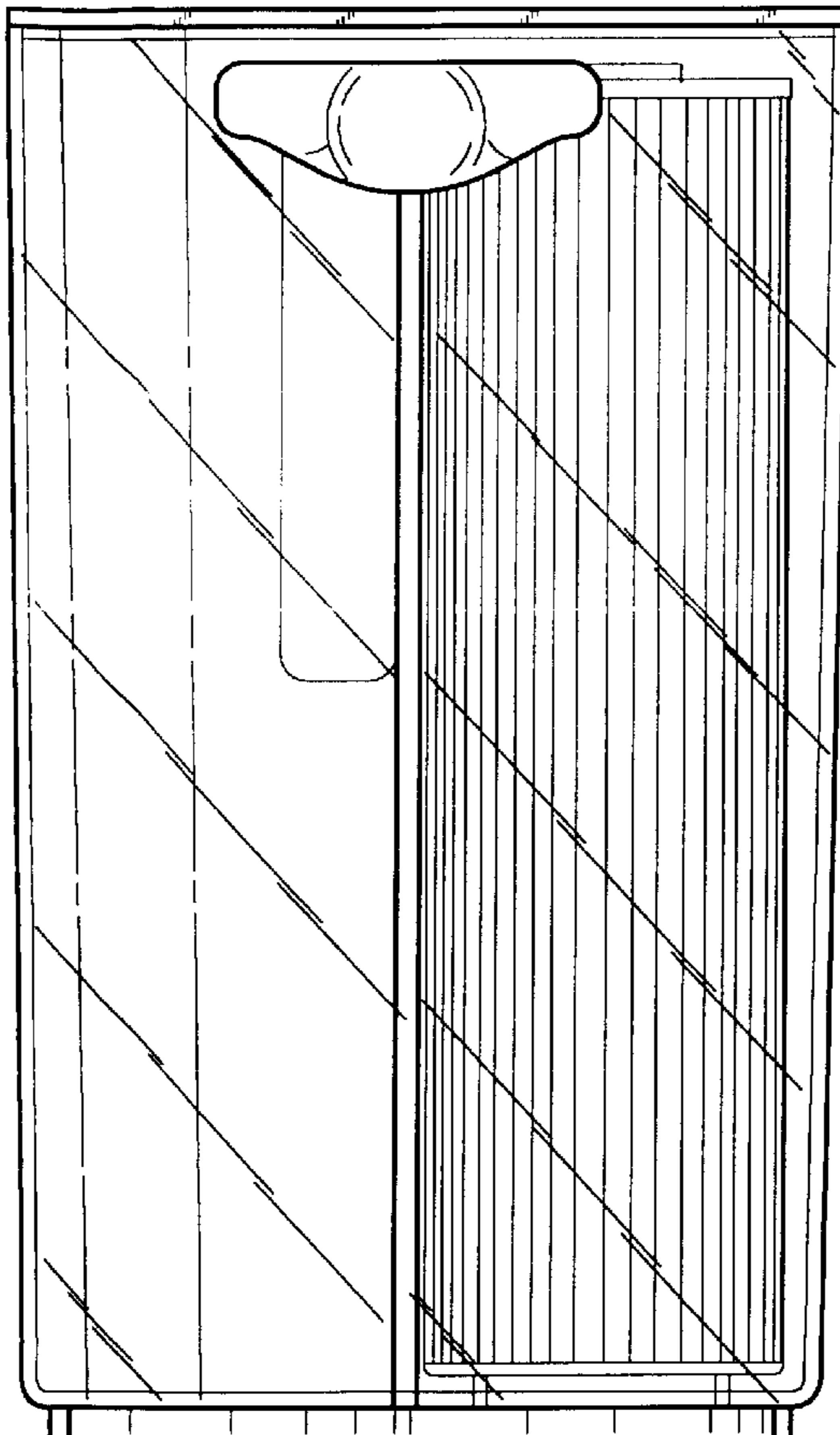
(56) **References Cited**

FIG. 5 is a bottom view thereof.

U.S. PATENT DOCUMENTS

D407,870 S * 4/1999 Pappas D32/25

1 Claim, 3 Drawing Sheets



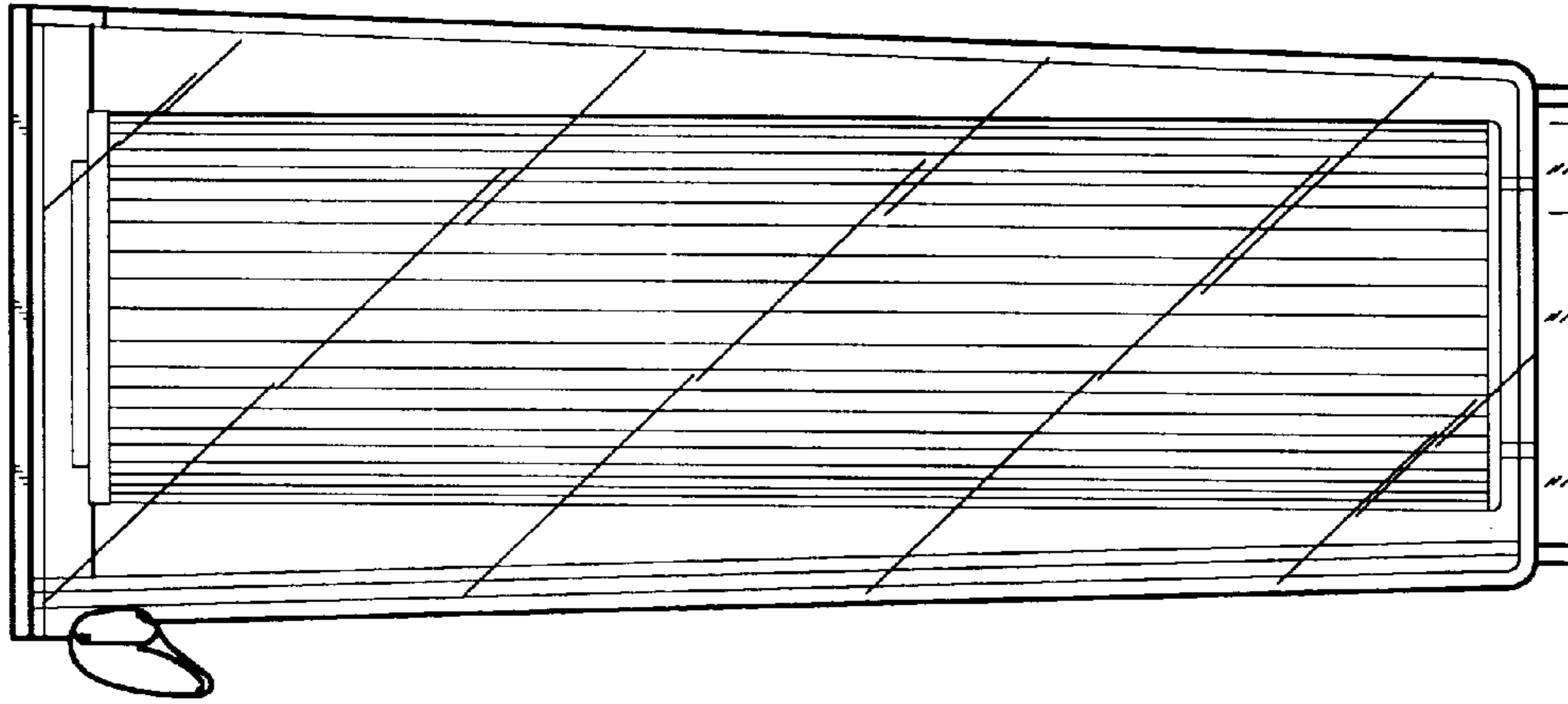


FIG-2

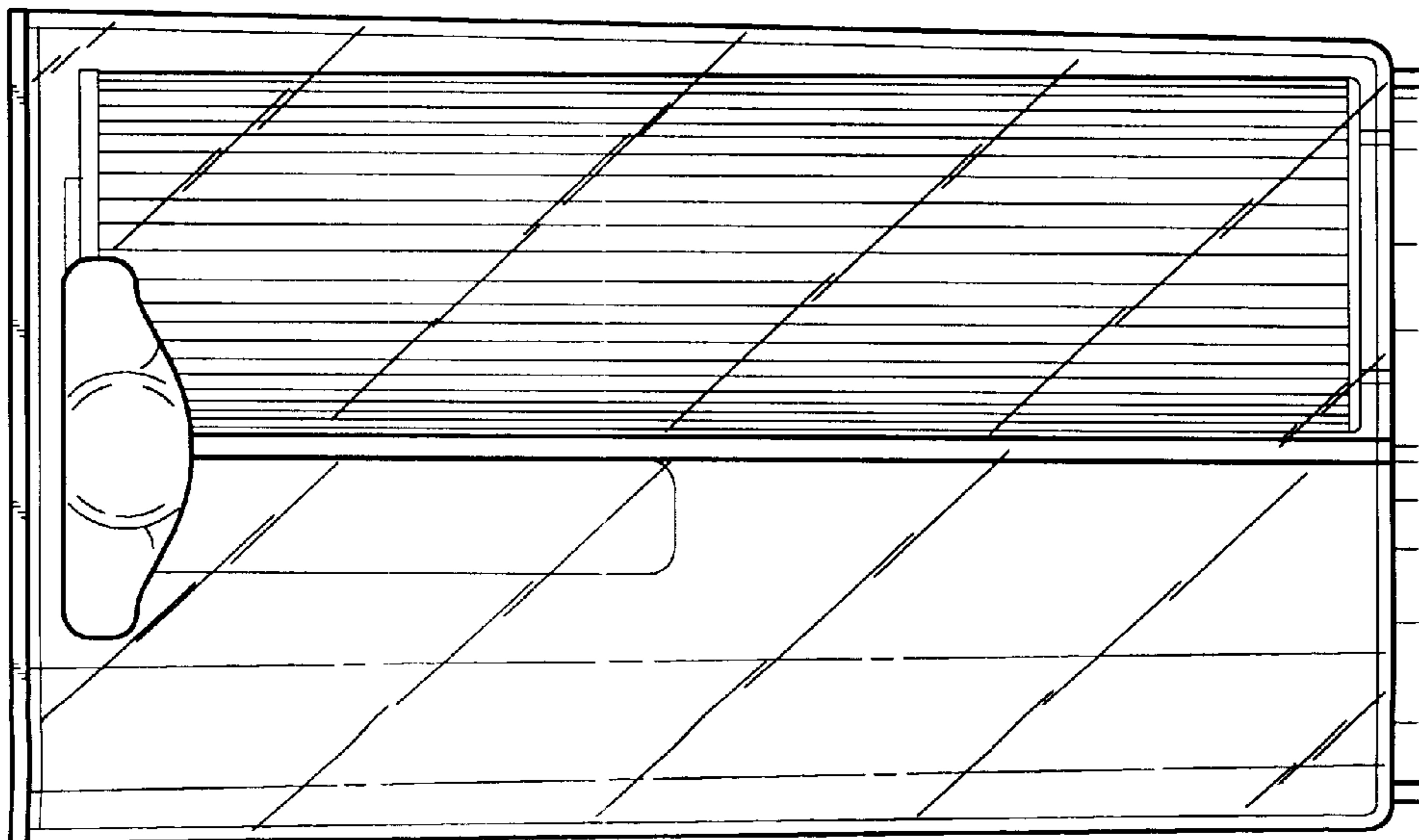


FIG-1

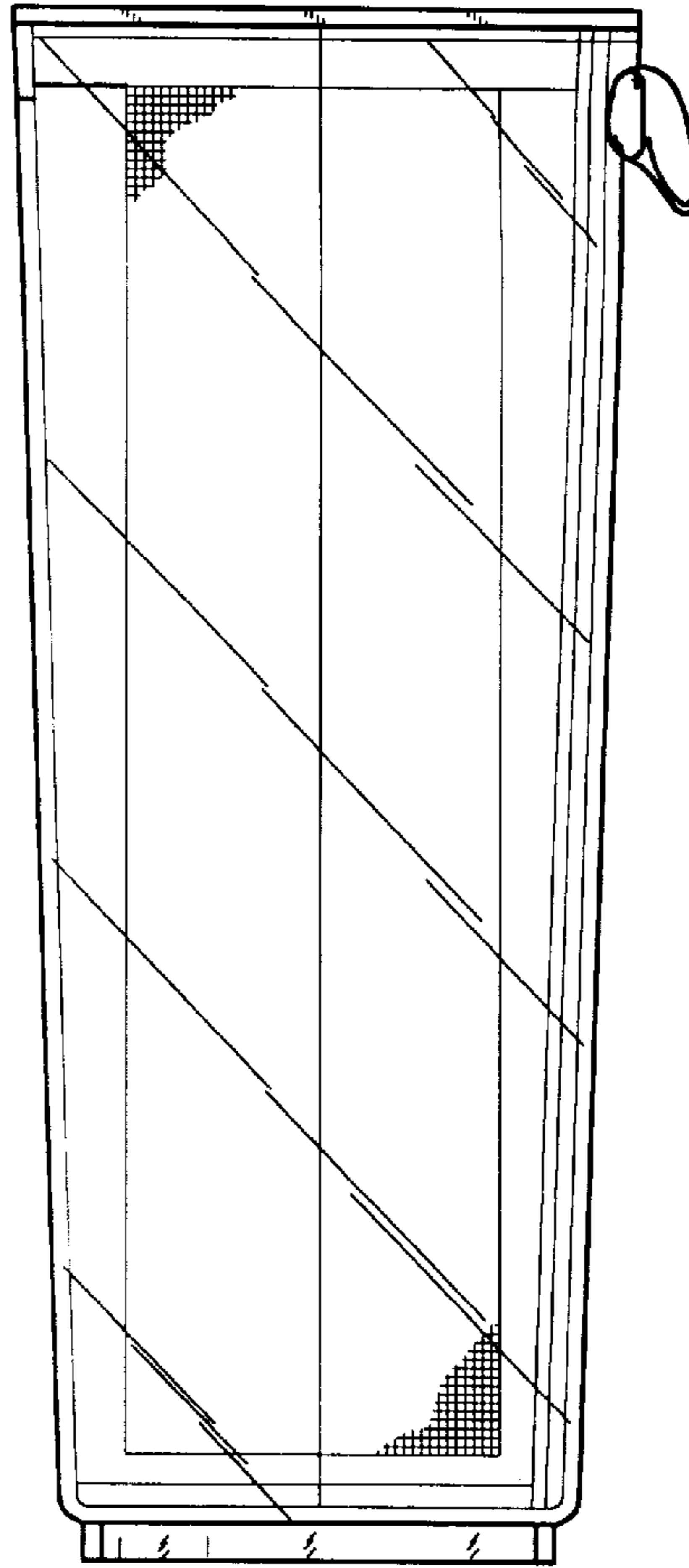


FIG-3

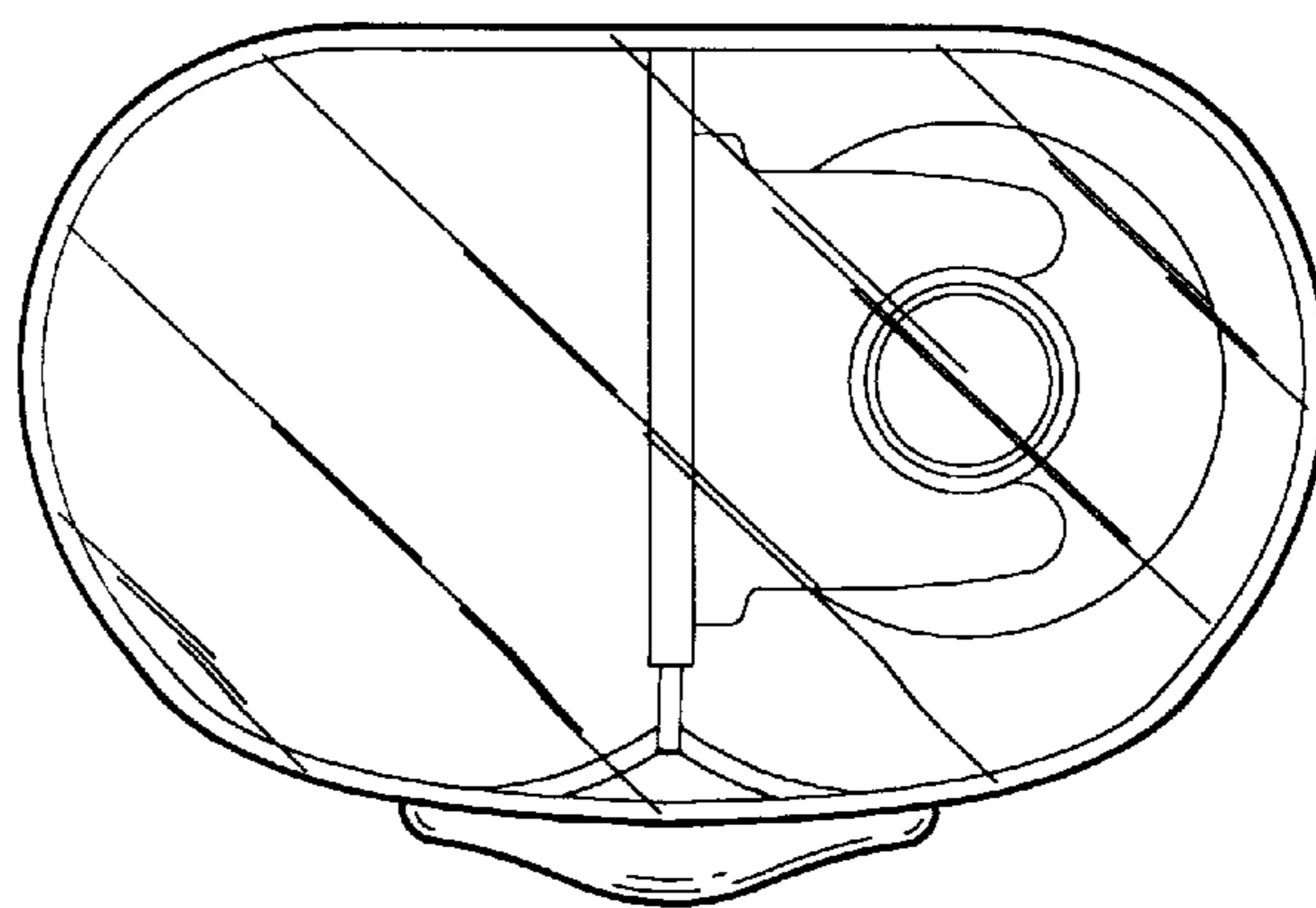


FIG-4

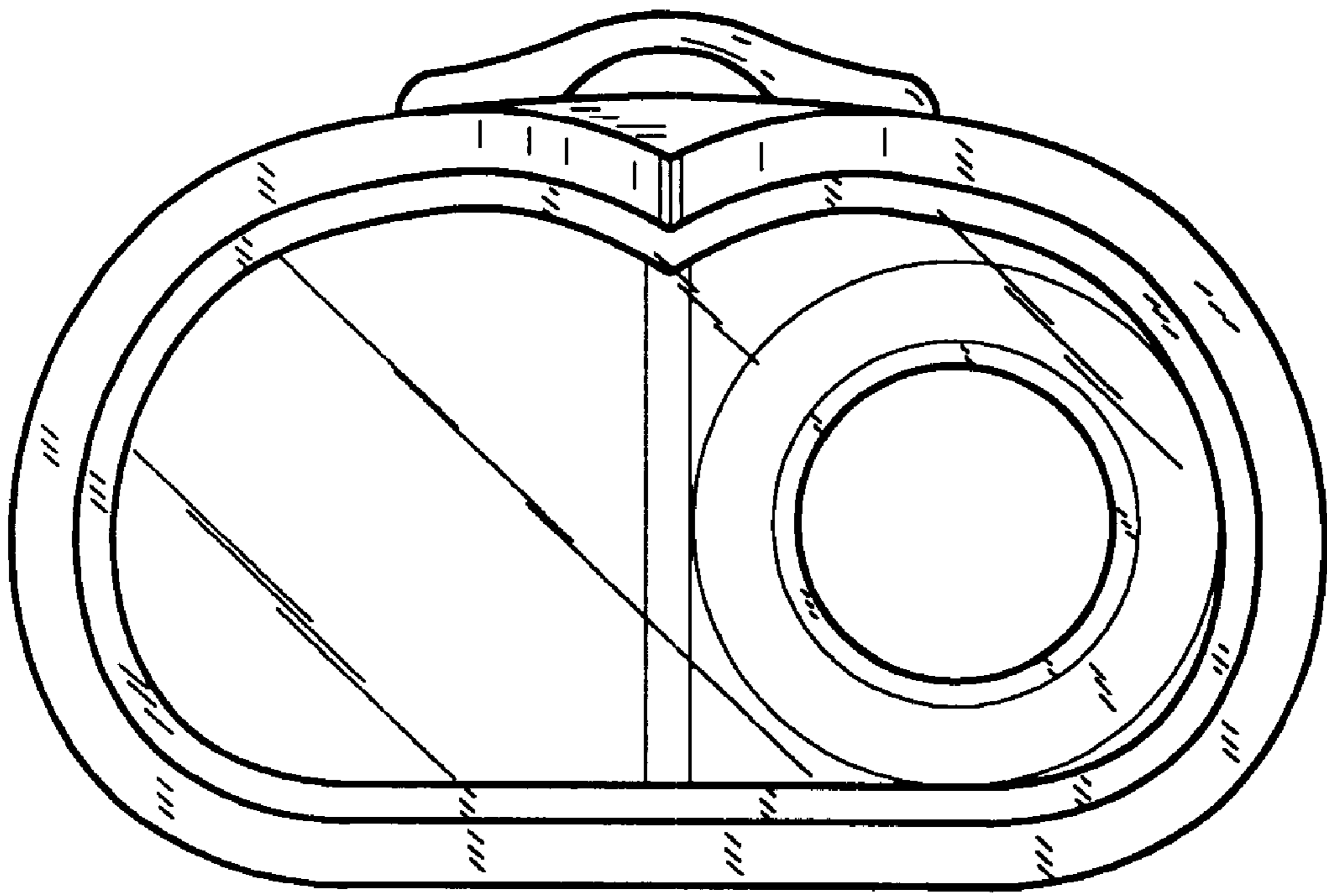


FIG-5