



US00D455239S

(12) **United States Design Patent**  
**McLaughlin**

(10) **Patent No.:** **US D455,239 S**

(45) **Date of Patent:** **\*\* Apr. 2, 2002**

(54) **TRANSPARENT PET BED WITH A COMFORT RIM**

(76) **Inventor:** **Carole McLaughlin**, 1640 Curtis Dr.,  
Las Vegas, NV (US) 89104

(\*\*) **Term:** **14 Years**

(21) **Appl. No.:** **29/138,643**

(22) **Filed:** **Mar. 19, 2001**

(51) **LOC (7) Cl.** ..... **30-06**

(52) **U.S. Cl.** ..... **D30/118; D30/161; D7/587; D7/543**

(58) **Field of Search** ..... D30/108-119,  
D30/161, 124-128; 119/28.5, 703, 706,  
416, 474, 452-456, 475, 459, 467, 482,  
436, 410, 496-497, 161, 165-166, 168-170,  
500-502; 4/484

(56) **References Cited**

**U.S. PATENT DOCUMENTS**

2,499,103 A \* 2/1950 Love ..... 119/28.5  
D198,495 S \* 6/1964 Wilson ..... D30/118

5,265,558 A \* 11/1993 Schonrock ..... 119/28.5  
5,603,284 A \* 2/1997 Freedman ..... 119/28.5  
D380,880 S \* 7/1997 Reid ..... D30/161  
D388,560 S \* 12/1997 Savicki ..... D30/162  
D423,729 S \* 4/2000 Morgan ..... D20/118  
D433,543 S \* 11/2000 Fiore et al. .... D30/118  
6,237,531 B1 \* 5/2001 Peeples et al. .... 119/28.5

\* cited by examiner

*Primary Examiner*—Cathy Anne MacCormac

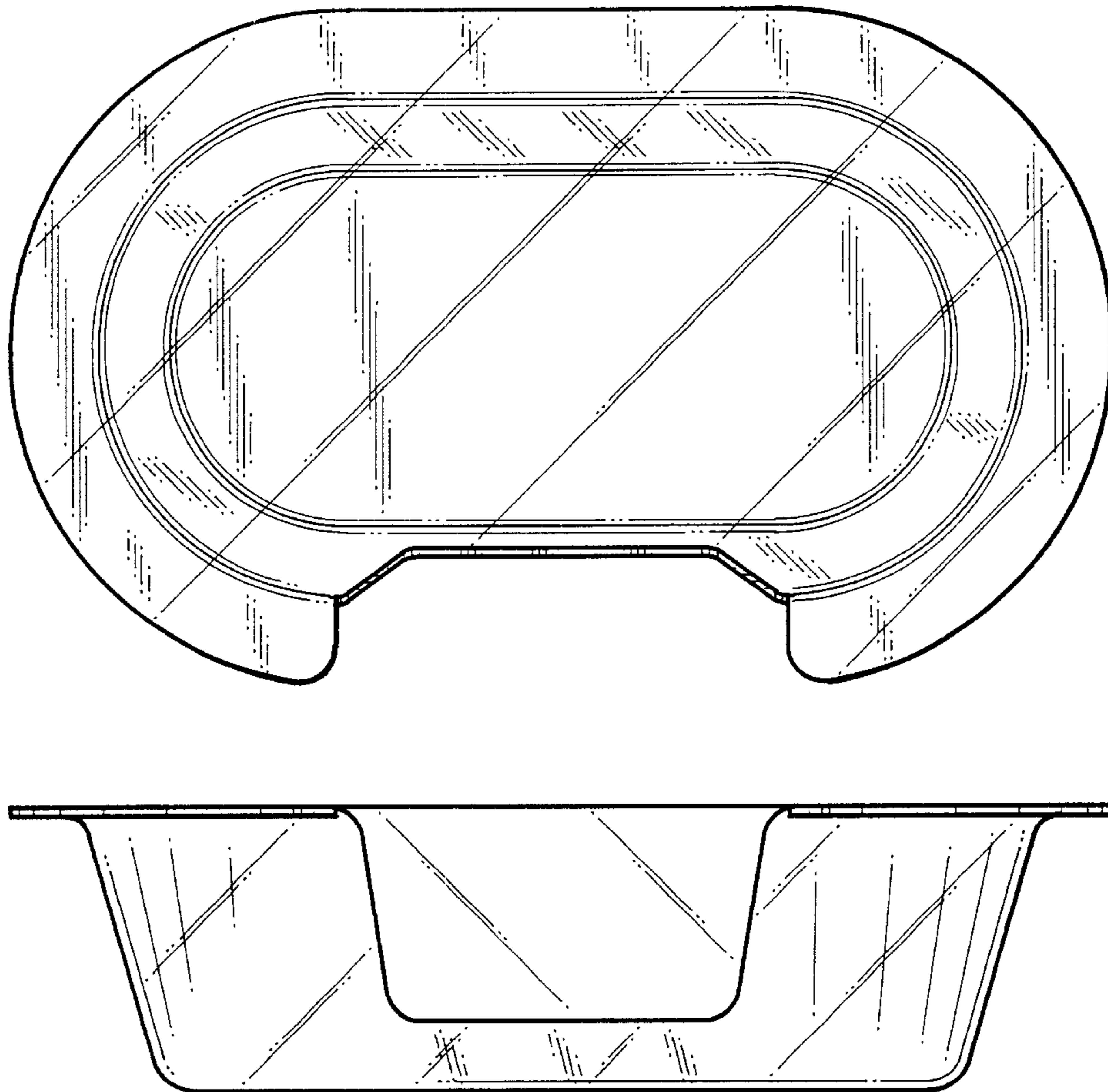
(57) **CLAIM**

The ornamental design for a transparent pet bed with a comfort rim, as shown.

**DESCRIPTION**

FIG. 1 is a top view of a transparent pet bed with a comfort rim in accordance with the invention;  
FIG. 2 is a front view thereof;  
FIG. 3 is a rear view thereof;  
FIG. 4 is a view of the left side thereof, the right side is substantially the same as the left side; and,  
FIG. 5 is a bottom view thereof.

**1 Claim, 2 Drawing Sheets**



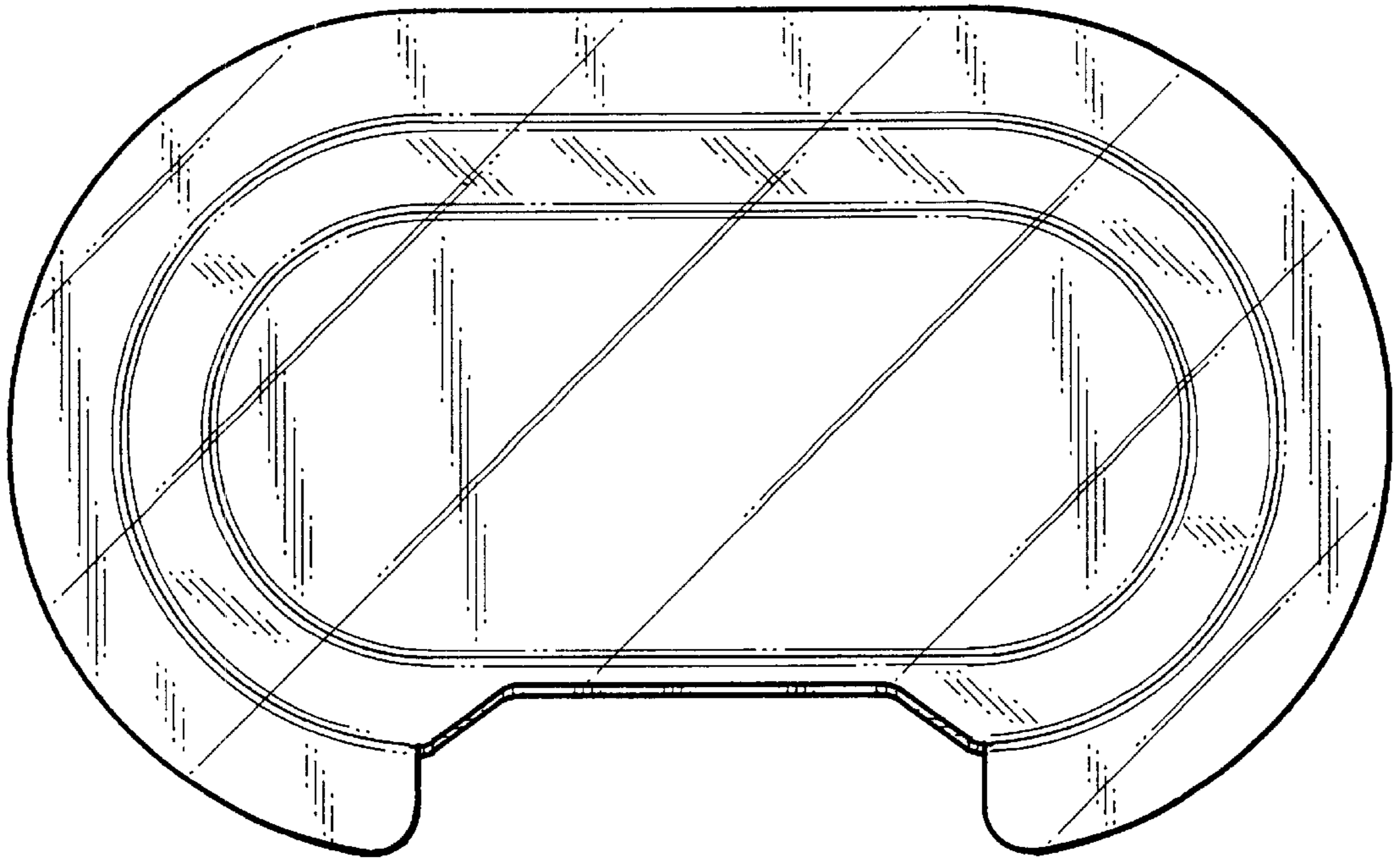


FIG. 1

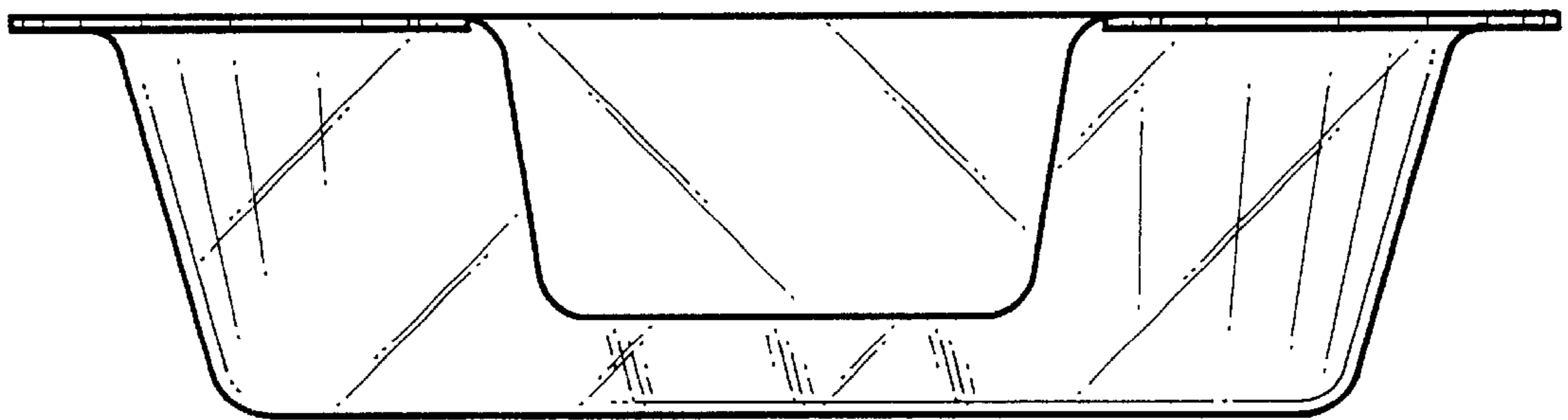


FIG. 2

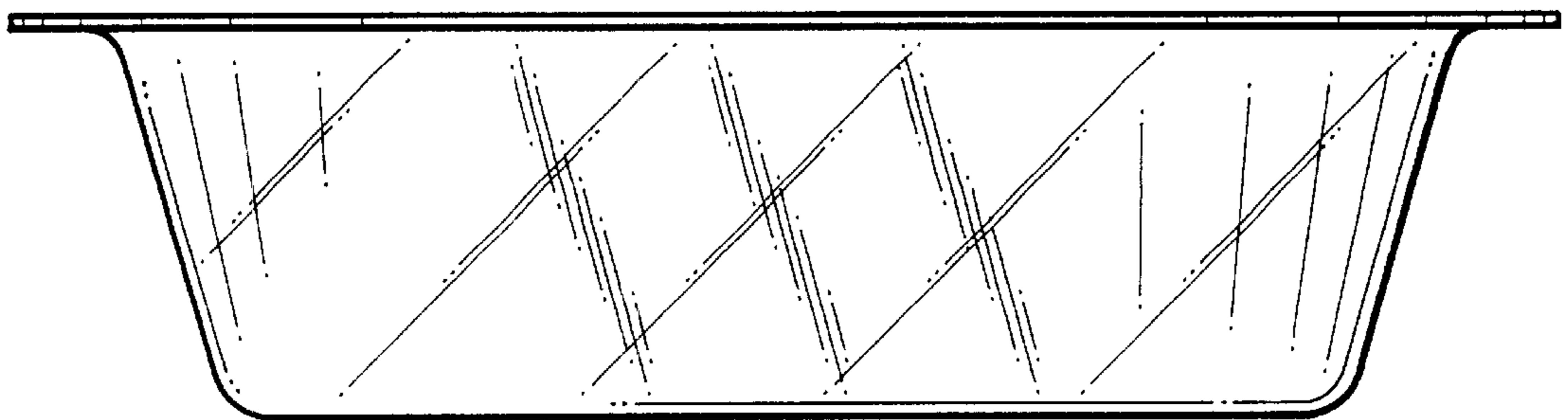


FIG. 3

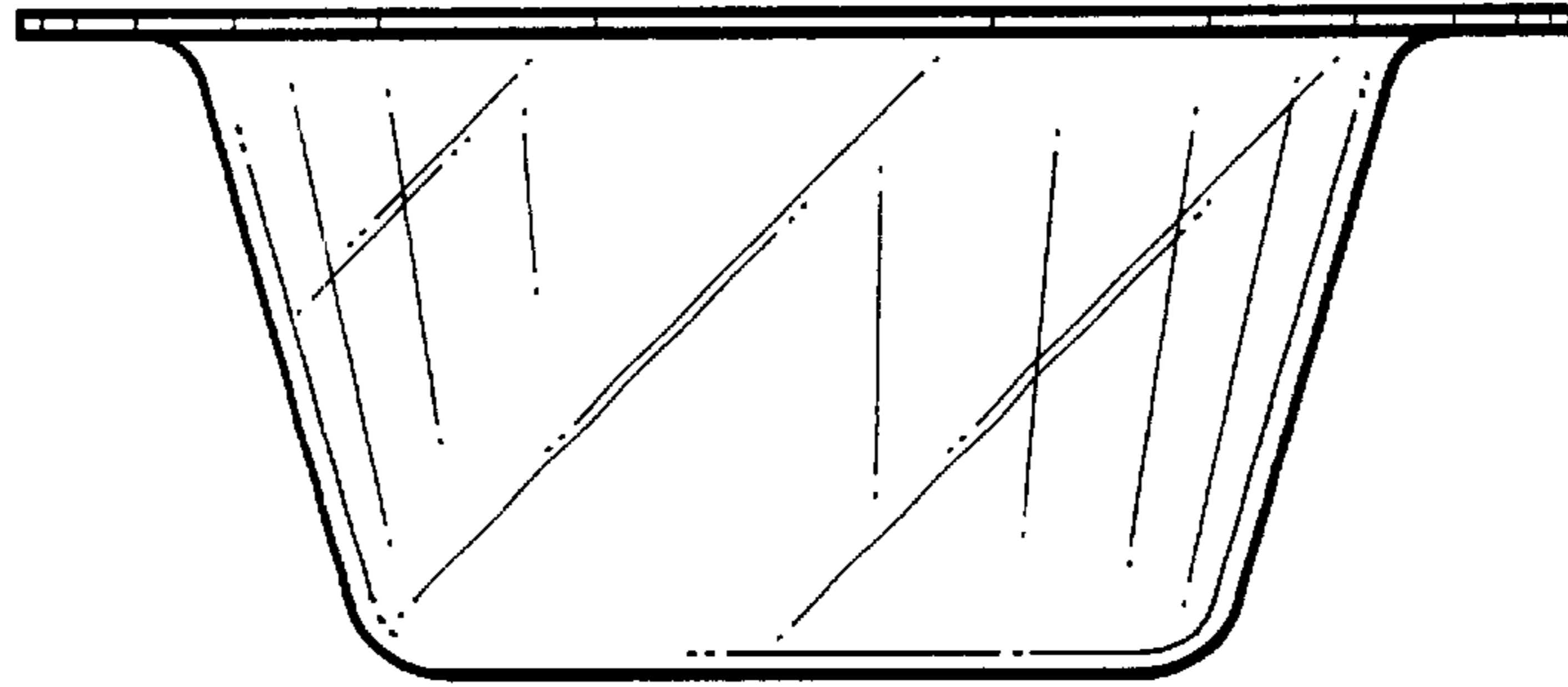


FIG. 4

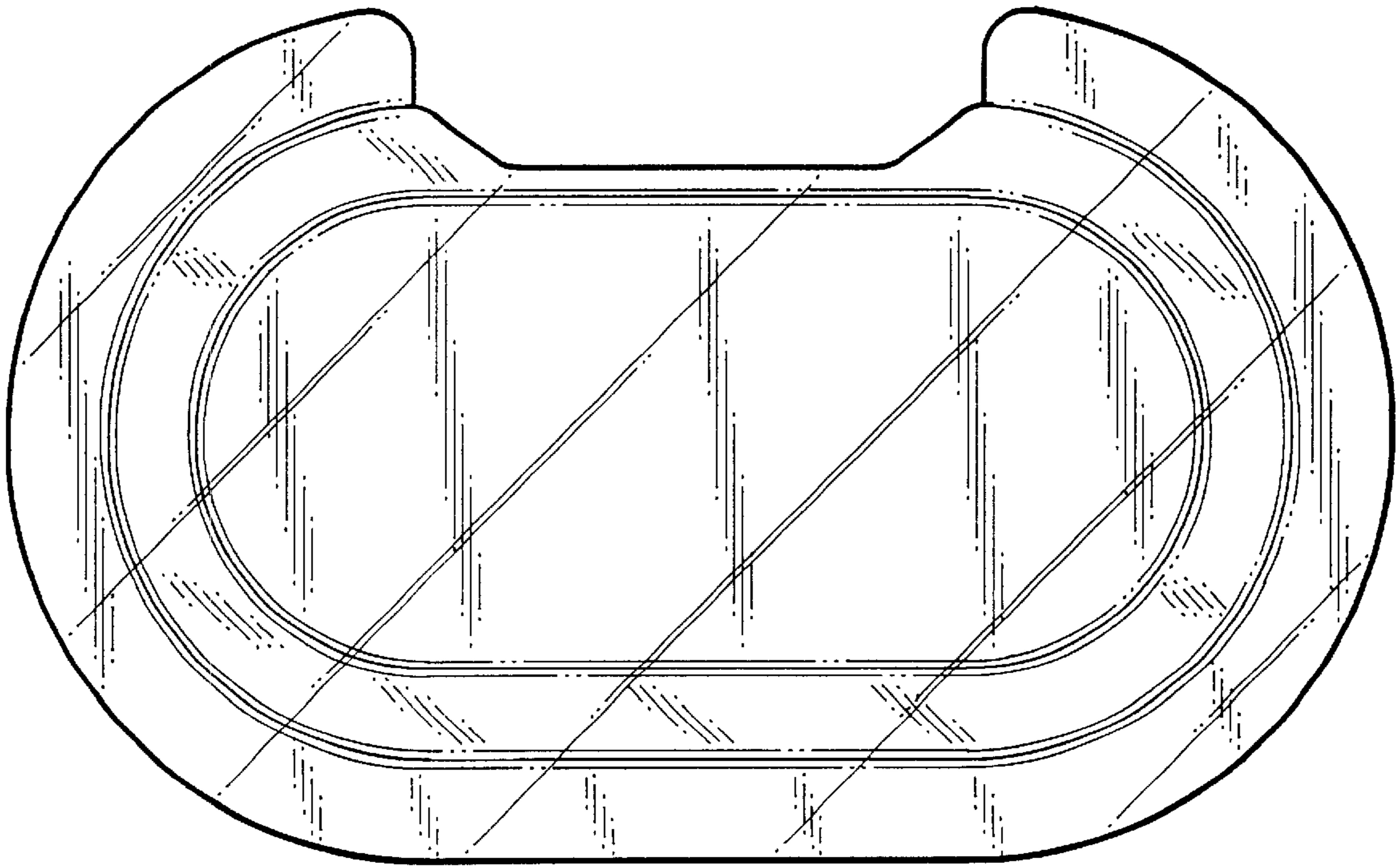


FIG. 5