



US00D455238S

(12) **United States Design Patent**  
**Small**

(10) **Patent No.:** **US D455,238 S**

(45) **Date of Patent:** **\*\* Apr. 2, 2002**

(54) **SINGLE-LEVEL CAT PLAY STRUCTURE**

(76) **Inventor:** **Donald I. Small**, 60 Woodward Rd.,  
West Springfield, MA (US) 01089

(\*\*) **Term:** **14 Years**

(21) **Appl. No.:** **29/135,025**

(22) **Filed:** **Jan. 4, 2001**

(51) **LOC (7) Cl.** ..... **30-02**

(52) **U.S. Cl.** ..... **D30/108**

(58) **Field of Search** ..... 119/453, 497,  
119/482, 452, 496, 498, 500, 501, 161,  
163-167, 499; D30/108, 109, 112, 161,  
118, 160

(56) **References Cited**

**U.S. PATENT DOCUMENTS**

1,750,590	A	*	4/1930	Allen	.....	119/482
2,092,155	A	*	9/1937	Hackett	.....	119/498
D209,042	S	*	10/1967	Harum	.....	D30/108
D265,139	S	*	6/1982	Salvato	.....	D30/160
D290,767	S	*	7/1987	Duffek	.....	D30/108
D294,184	S	*	2/1988	Arthur, II	.....	D30/108
D298,577	S	*	11/1988	Faxon	.....	D30/108
D319,114	S	*	8/1991	Kiga	.....	D30/109
D319,115	S	*	8/1991	White	.....	D30/112
5,115,762	A	*	5/1992	Long	.....	119/499
D334,445	S	*	3/1993	Kiani	.....	D30/108
D338,283	S	*	8/1993	Pfriender	.....	D30/108

D347,092	S	*	5/1994	Ravel	.....	D30/160
D349,366	S	*	8/1994	Kuhn et al.	.....	D30/108
D349,783	S	*	8/1994	Berger	.....	D30/108
D353,029	S	*	11/1994	Northrop et al.	.....	D30/108
5,383,422	A	*	1/1995	Morris	.....	D30/108
D361,647	S	*	8/1995	Thomas et al.	.....	D30/108
D371,641	S	*	7/1996	Crowley	.....	D30/108
5,551,371	A	*	9/1996	Markey et al.	.....	119/165
5,582,135	A	*	12/1996	Bellows	.....	119/168
D384,777	S	*	10/1997	Propst	.....	D30/108
D396,734	S	*	8/1998	Koneke	.....	D30/108
D420,470	S	*	2/2000	Kolozsvari et al.	.....	D30/108

\* cited by examiner

*Primary Examiner*—Cathy Anne MacCormac  
(74) *Attorney, Agent, or Firm*—Libert & Associates;  
Frederick A. Spaeth

(57) **CLAIM**

What is claimed is the ornamental design for a single-level cat play structure, as shown and described.

**DESCRIPTION**

FIG. 1 is a perspective view of a single-level cat play structure showing the top, front and right side of the new design thereof;

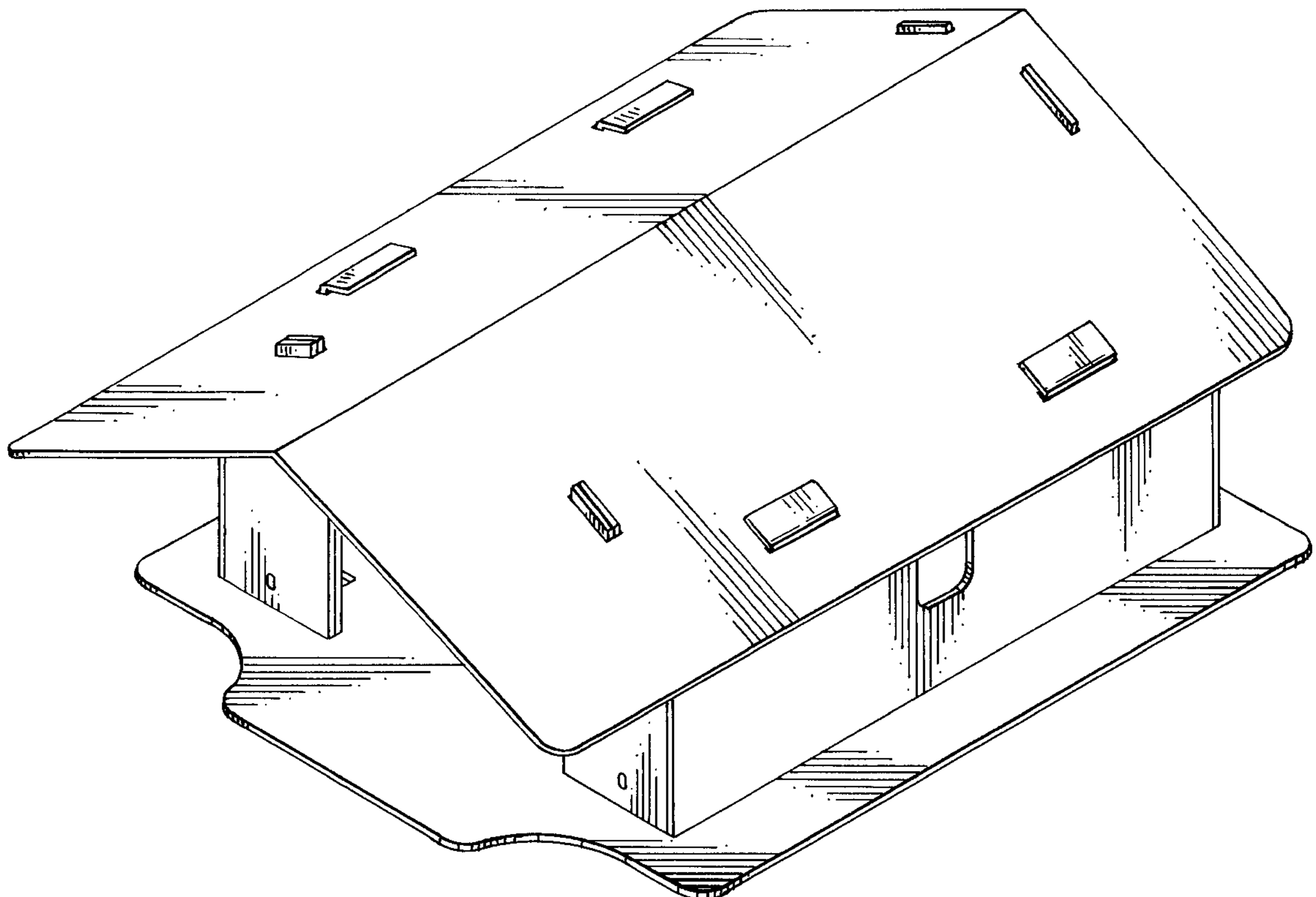
FIG. 2 is a right side elevation view thereof;

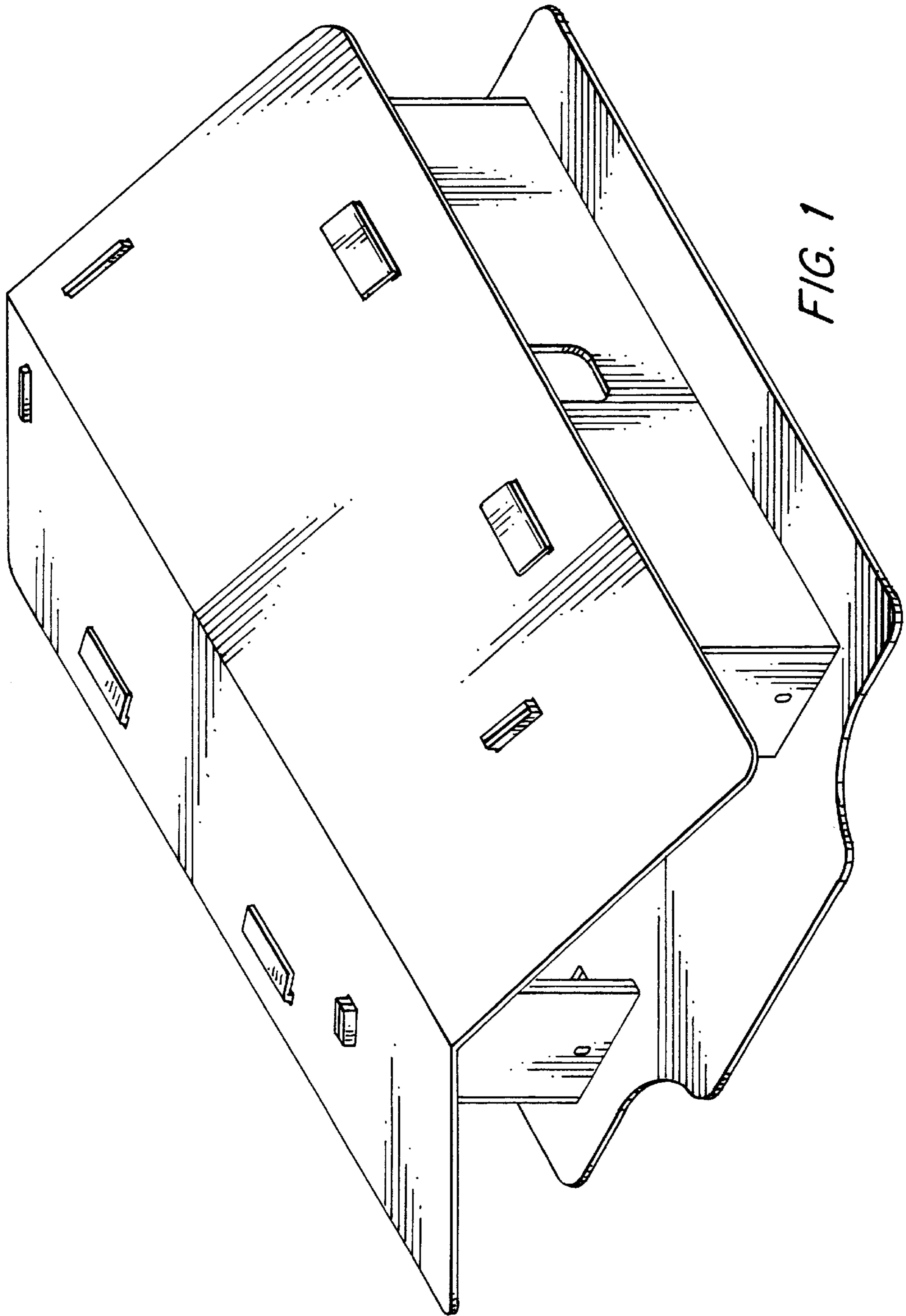
FIG. 3 is a left side elevation view thereof;

FIG. 4 is a front elevation view thereof; and,

FIG. 5 is a rear elevation view thereof.

**1 Claim, 3 Drawing Sheets**





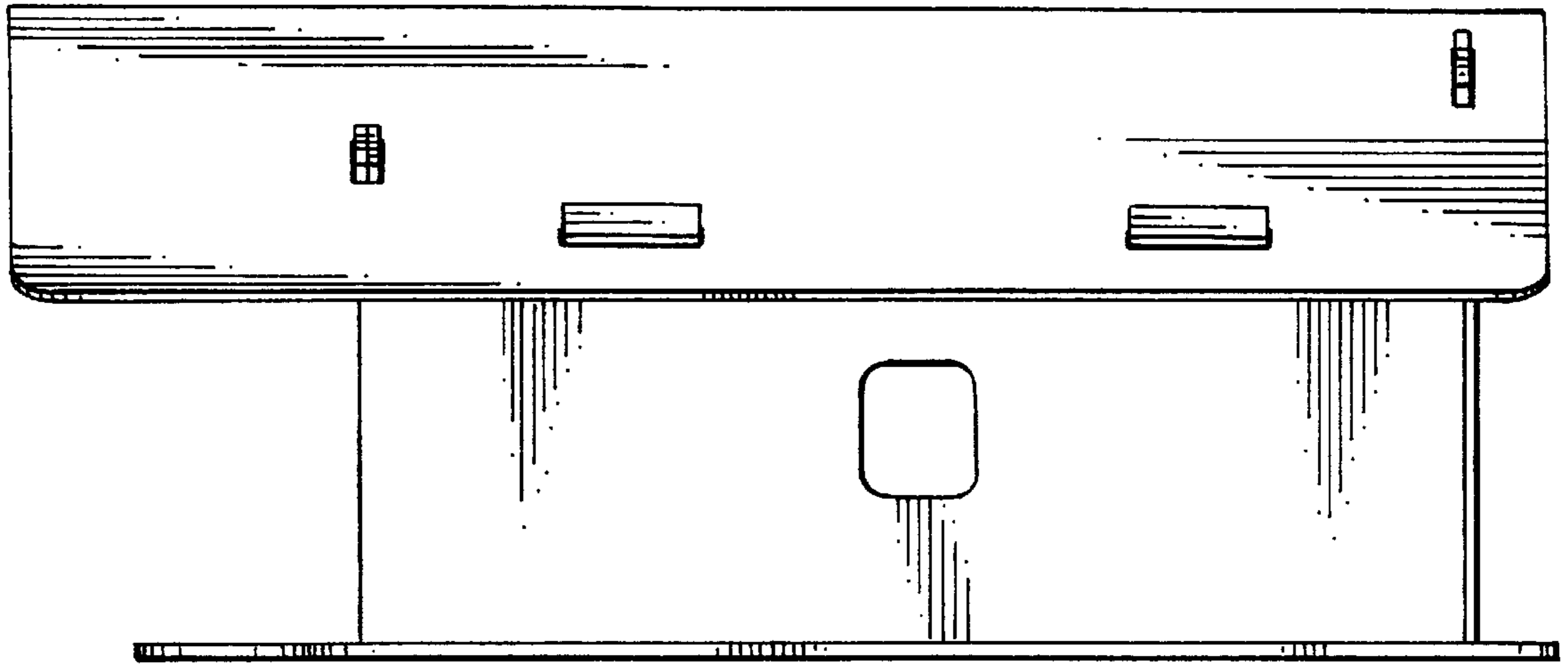


FIG. 2

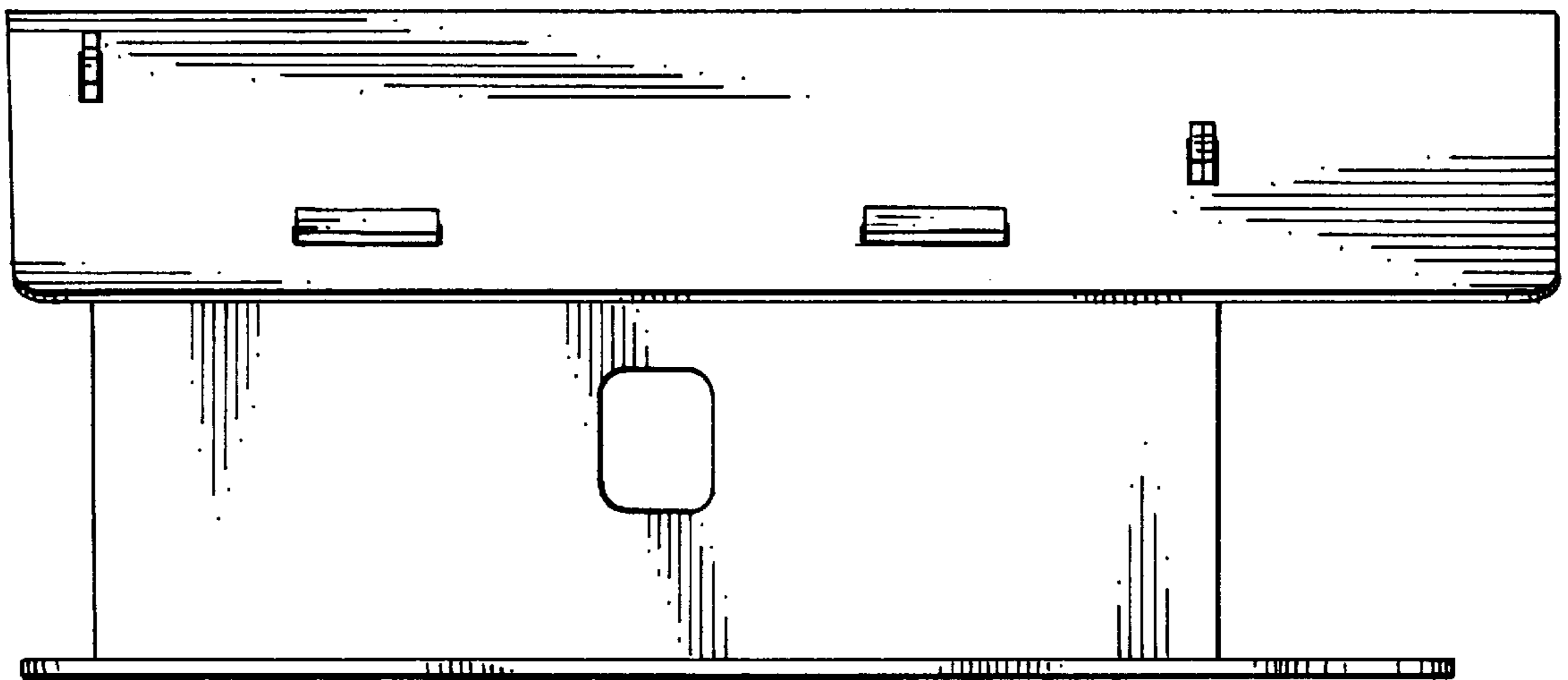


FIG. 3

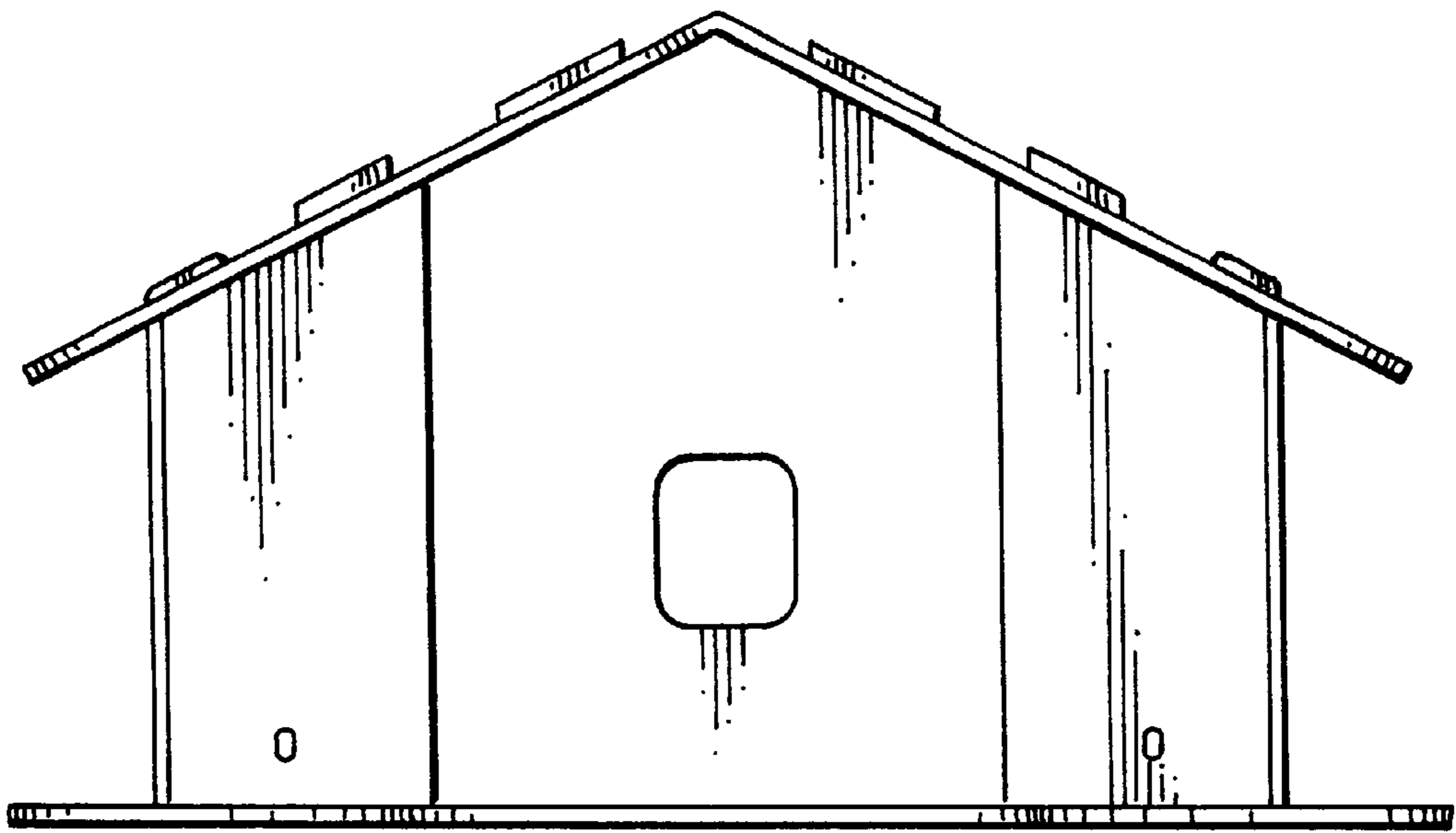


FIG. 4

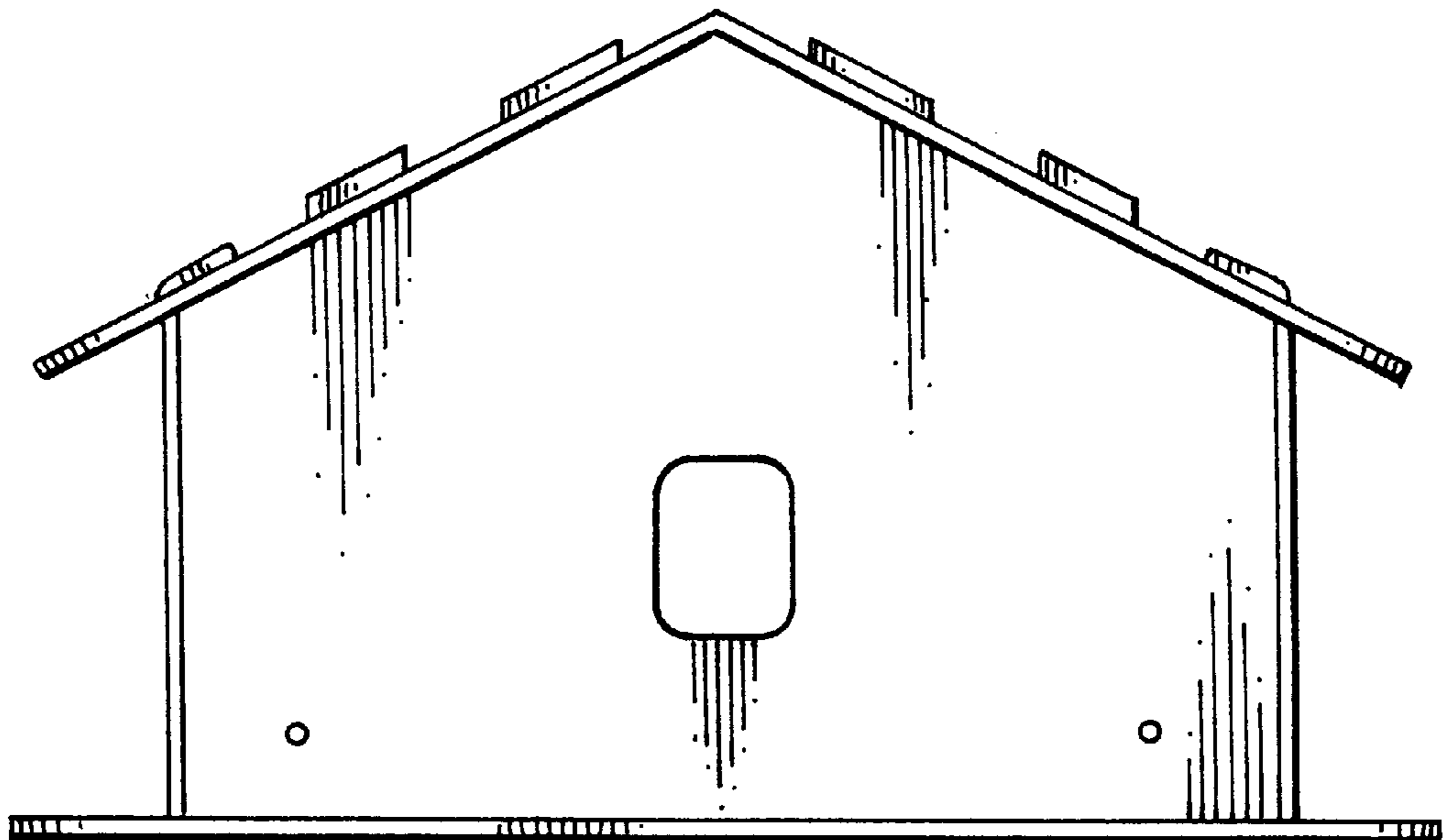


FIG. 5